



US00D881134S

(12) **United States Design Patent** (10) **Patent No.:** **US D881,134 S**  
**Musser et al.** (45) **Date of Patent:** **\*\* Apr. 14, 2020**

(54) **CONTACT**

(71) Applicant: **Samtec, Inc.**, New Albany, IN (US)

(72) Inventors: **Randall E. Musser**, New Albany, IN (US); **Jonathan E. Buck**, New Albany, IN (US)

(73) Assignee: **SAMTEC, INC.**, New Albany, IN (US)

(\*\*) Term: **15 Years**

(21) Appl. No.: **29/655,784**

(22) Filed: **Jul. 6, 2018**

(51) **LOC (12) Cl.** ..... **13-03**

(52) **U.S. Cl.**  
USPC ..... **D13/154**

(58) **Field of Classification Search**  
USPC ..... D13/154, 133  
CPC ..... H01R 12/721; H01R 13/40; H01R 13/41;  
H01R 12/82

See application file for complete search history.

(56) **References Cited**

**U.S. PATENT DOCUMENTS**

4,780,095	A	10/1988	Classon et al.	
5,525,071	A	6/1996	Obara et al.	
5,848,920	A	12/1998	Klein et al.	
5,941,715	A	8/1999	Huang	
6,454,574	B1	9/2002	Yu	
D562,768	S *	2/2008	Kishi	D13/133
7,442,089	B2	10/2008	Regnier	
D582,859	S	12/2008	Sasaki	
D582,860	S	12/2008	Sasaki	
D598,861	S	8/2009	Hoshino et al.	
7,585,188	B2	9/2009	Regnier	
D607,833	S *	1/2010	Yang	D13/154
7,955,138	B1	6/2011	Zhu	
D659,646	S	5/2012	Kajiura et al.	
8,251,716	B2	8/2012	Chen	
8,251,737	B2	8/2012	Van Stiphout et al.	

8,333,617	B2	12/2012	Fjelstad
D708,580	S	7/2014	McCartin et al.
8,764,464	B2	7/2014	Buck et al.
8,784,116	B2	7/2014	Buck et al.
8,821,191	B2	9/2014	Soo

(Continued)

**FOREIGN PATENT DOCUMENTS**

TW	D149636	51	10/2012
TW	D151642	S1	2/2013

(Continued)

**OTHER PUBLICATIONS**

Musser, et al., "Connector"; U.S. Appl. No. 29/652,014, filed Dec. 17, 2018.

(Continued)

*Primary Examiner* — Bridget L Eland

(74) *Attorney, Agent, or Firm* — Keating & Bennett, LLP

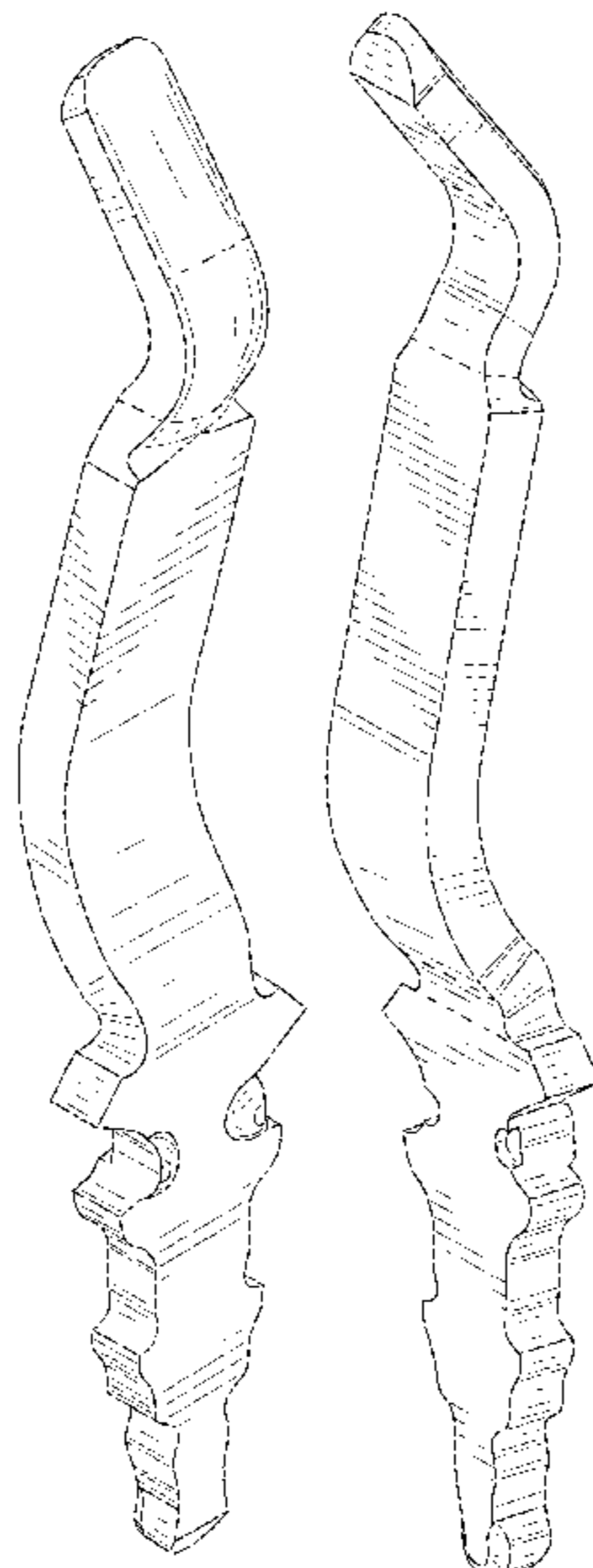
(57) **CLAIM**

The ornamental design for a contact, as shown and described.

**DESCRIPTION**

FIG. 1 is a top, front, and left side perspective view of a contact showing our new design; FIG. 2 is a top, back, and left side perspective view thereof; FIG. 3 is a front view thereof; FIG. 4 is a back view thereof; FIG. 5 is a right view thereof; FIG. 6 is a left view thereof; FIG. 7 is a top view thereof; and, FIG. 8 is a bottom view thereof. The broken lines shown in the views are included for the purpose of illustrating portions of the Contact that form no part of the claimed design.

**1 Claim, 6 Drawing Sheets**



(56)

References Cited

U.S. PATENT DOCUMENTS

D718,245	S	11/2014	Sato	
9,028,281	B2	5/2015	Kirk et al.	
9,077,115	B2	7/2015	Yang	
9,300,103	B2	3/2016	Buck et al.	
D766,834	S *	9/2016	Endo .....	D13/154
D766,835	S *	9/2016	Endo .....	D13/154
D767,501	S *	9/2016	Yuan .....	D13/154
D767,502	S *	9/2016	Yuan .....	D13/154
D767,503	S *	9/2016	Yuan .....	D13/154
D811,336	S *	2/2018	Geske .....	D13/133
D822,608	S *	7/2018	Geske .....	D13/133
D852,755	S *	7/2019	Wang .....	D13/154
D852,756	S *	7/2019	Huang .....	D13/154
D852,757	S *	7/2019	Huang .....	D13/154
2012/0252232	A1	10/2012	Buck et al.	
2013/0337679	A1 *	12/2013	Tai .....	H01R 13/631 439/485
2014/0310957	A1	10/2014	Buck et al.	

FOREIGN PATENT DOCUMENTS

TW	D157156	S	11/2013
TW	D167749	S	5/2015
WO	2012/138519	A2	10/2012
WO	2018/039351	A1	3/2018

OTHER PUBLICATIONS

Musser, et al., "Connector"; U.S. Appl. No. 29/652,015, filed Dec. 17, 2018.  
 Samtec, .050 Pitch Terminal Array Assembly, SEAM-XX-XX.X-XX-XX-X-A-XX-K-TR; By: Bratcher, Aug. 9, 2010, 7 sheets.  
 Samtec, .050 Pitch Socket Array Assembly, SEAF-XX-XX.X-XX-XX-X-A-XX-K-TR; By: Bratcher, May 27, 2004, 5 sheets.  
 Samtec, "Accelerate HD Micro Interfaces"; ADM6\* Series, Nov. 21, 2018, 1 page.  
 Samtec, "Accelerate HD Micro Interfaces"; ADF6\* Series, Nov. 21, 2018, 1 page.  
 Faith, et al.; U.S. Appl. No. 29/579,623, filed Sep. 30, 2016.  
 Musser, et al., "Contact"; U.S. Appl. No. 29/655,786, filed Jul. 6, 2018.  
 Musser, et al., "Connector and Contact"; U.S. Appl. No. 29/652,012, filed Nov. 5, 2018.  
 Musser, et al., "Connector"; U.S. Appl. No. 29/716,201, filed Dec. 6, 2019.  
 Musser, et al., "Connector"; U.S. Appl. No. 29/716,202, filed Dec. 6, 2019.  
 Musser, et al., "Connector"; U.S. Appl. No. 29/709,518, filed Oct. 15, 2019.

\* cited by examiner

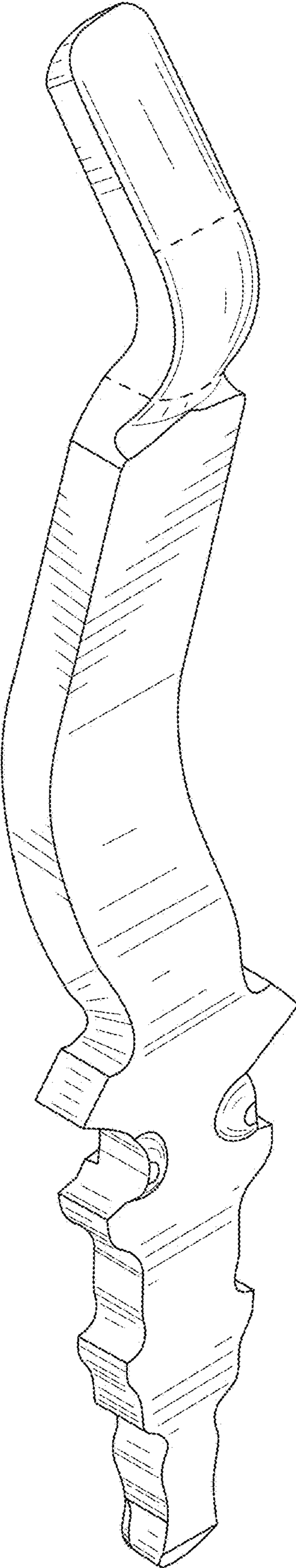


FIG. 1

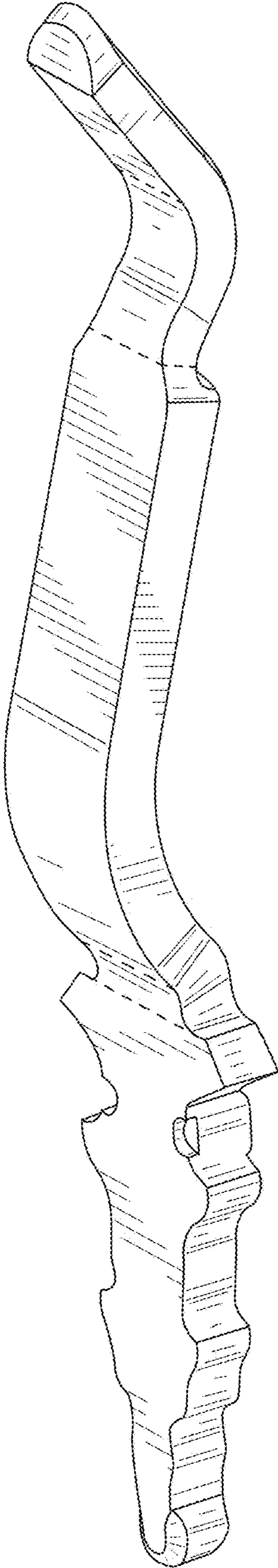


FIG. 2

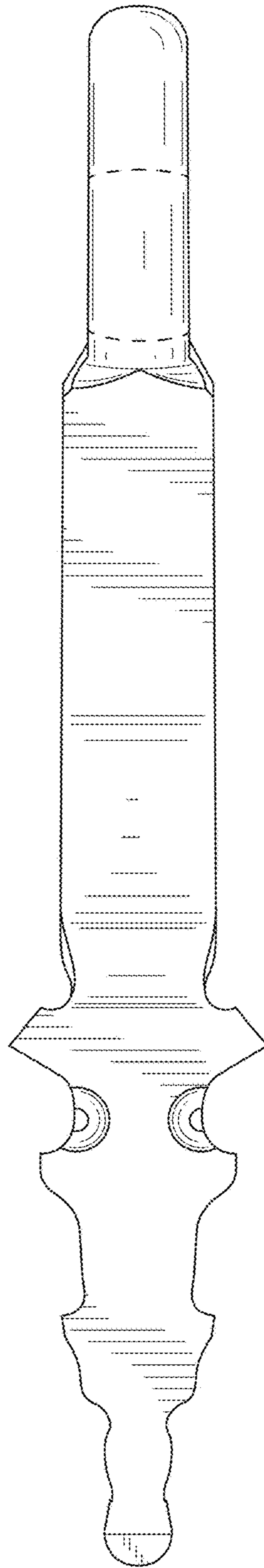


FIG. 3



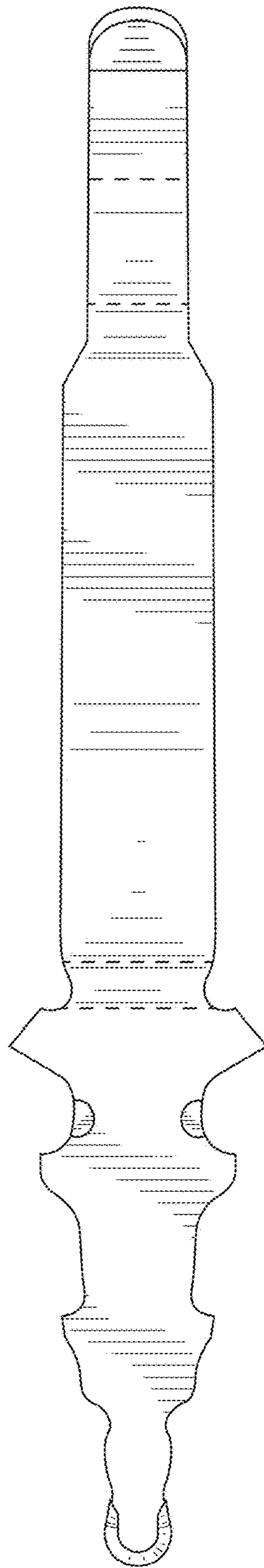


FIG. 4

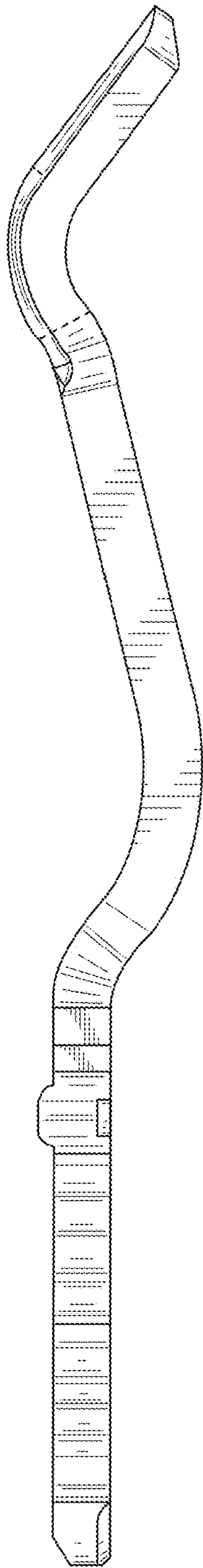


FIG. 5

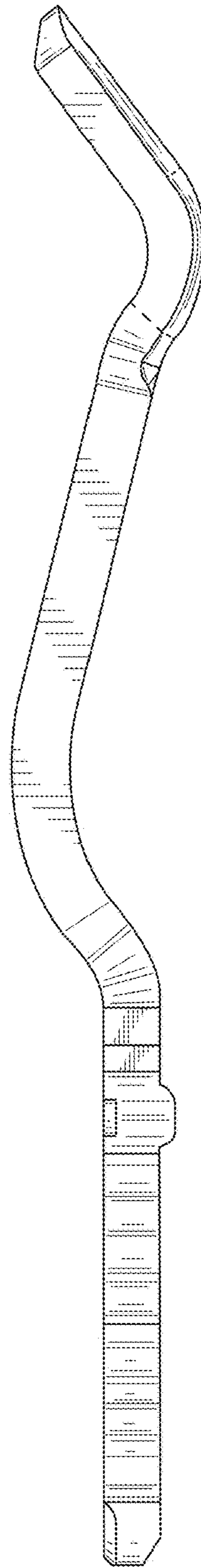


FIG. 6

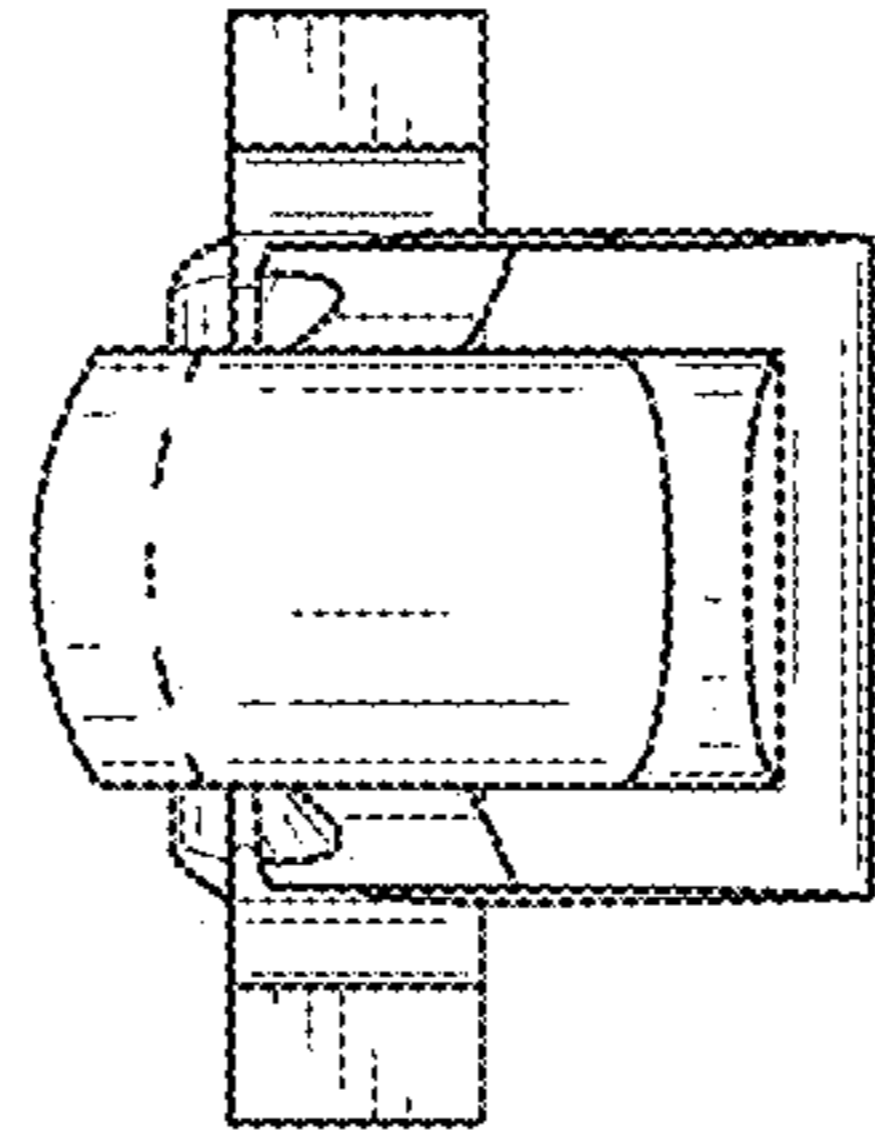


FIG. 7

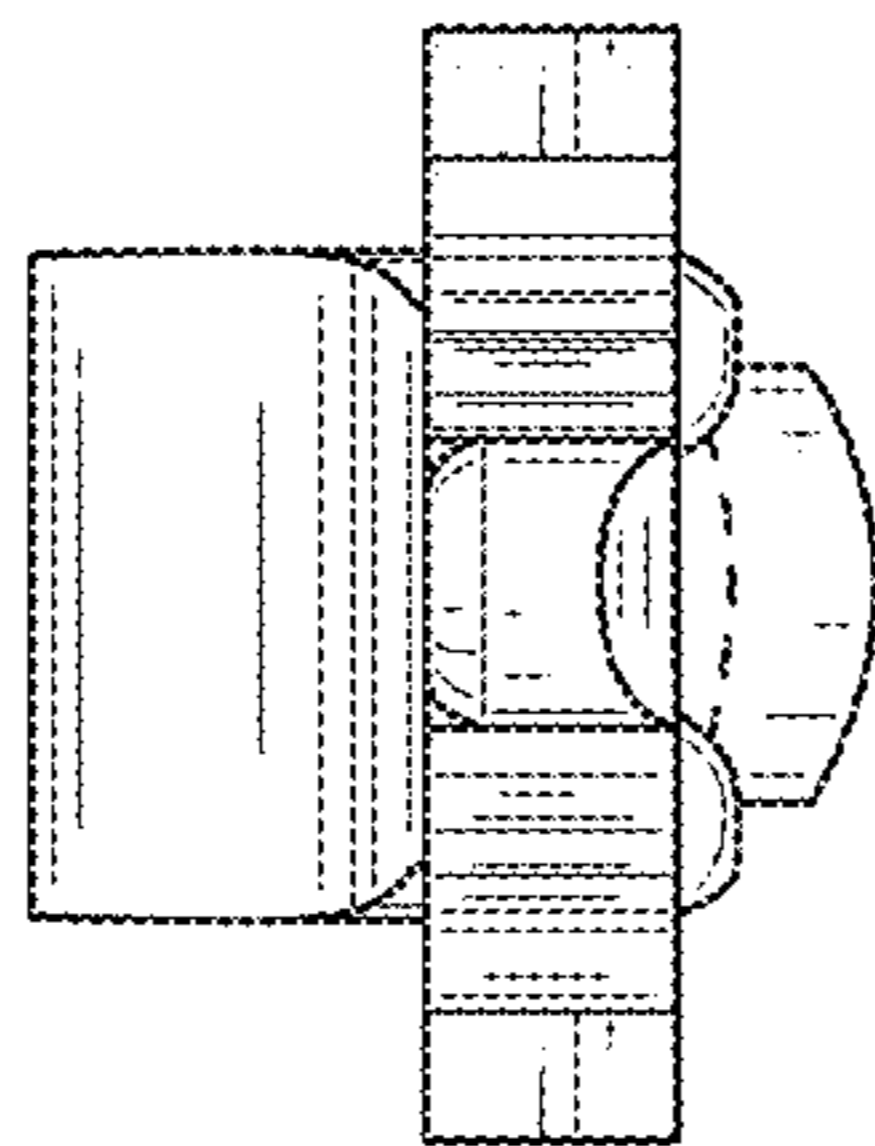


FIG. 8