



US00D881131S

(12) **United States Design Patent**
Tovey

(10) **Patent No.:** **US D881,131 S**

(45) **Date of Patent:** **** Apr. 14, 2020**

(54) **CHARGING BOWL FOR A VEHICLE**

(71) Applicant: **Jaguar Land Rover Limited**, Whitley,
Coventry (GB)

(72) Inventor: **Simon Tovey**, Coventry (GB)

(73) Assignee: **Jaguar Land Rover Limited**, Whitley,
Coventry (GB)

(**) Term: **15 Years**

(21) Appl. No.: **29/625,222**

(22) Filed: **Nov. 8, 2017**

(30) **Foreign Application Priority Data**

May 11, 2017 (EM) 003997097

(51) **LOC (12) Cl.** **13-03**

(52) **U.S. Cl.**
USPC **D13/146**

(58) **Field of Classification Search**
USPC D13/146, 133, 107; D12/218, 223
CPC H01R 13/631; H01R 13/64; H01R 13/62;
B60L 53/16; B60L 2270/147; Y02T
90/14; Y02T 10/7072; Y02T 10/7005
See application file for complete search history.

(56) **References Cited**

U.S. PATENT DOCUMENTS

D370,889 S * 6/1996 Anthony D13/146
D618,176 S * 6/2010 Kato D13/146
D649,938 S * 12/2011 Erickson D13/147
D672,718 S * 12/2012 Lyford D13/133
D686,983 S * 7/2013 Schygge D13/107
D689,434 S * 9/2013 Tilscher D13/119
D706,212 S * 6/2014 Zwierstra D13/107
D724,031 S * 3/2015 Musk D13/146

D754,605 S * 4/2016 McMillan D13/133
D845,239 S * 4/2019 McMillan D13/133
D862,390 S * 10/2019 Tomasson D13/146
2013/0078839 A1 * 3/2013 Musk H01R 13/631
439/345
2014/0091761 A1 * 4/2014 Uchida B60L 11/1816
320/109
2016/0344131 A1 * 11/2016 Kanamori H01R 13/4532

* cited by examiner

Primary Examiner — Bridget L Eland

(74) *Attorney, Agent, or Firm* — Wood Herron & Evans
LLP

(57) **CLAIM**

The ornamental design for a charging bowl for a vehicle, as shown and described.

DESCRIPTION

FIG. 1 is a front left perspective view of a charging bowl for a vehicle according to the present invention.

FIG. 2 is a front right perspective view of the charging bowl for a vehicle shown in FIG. 1.

FIG. 3 is a rear right perspective view thereof.

FIG. 4 is a rear left perspective view thereof.

FIG. 5 is a front view thereof.

FIG. 6 is a rear view thereof.

FIG. 7 is a left side view thereof.

FIG. 8 is a right side view thereof.

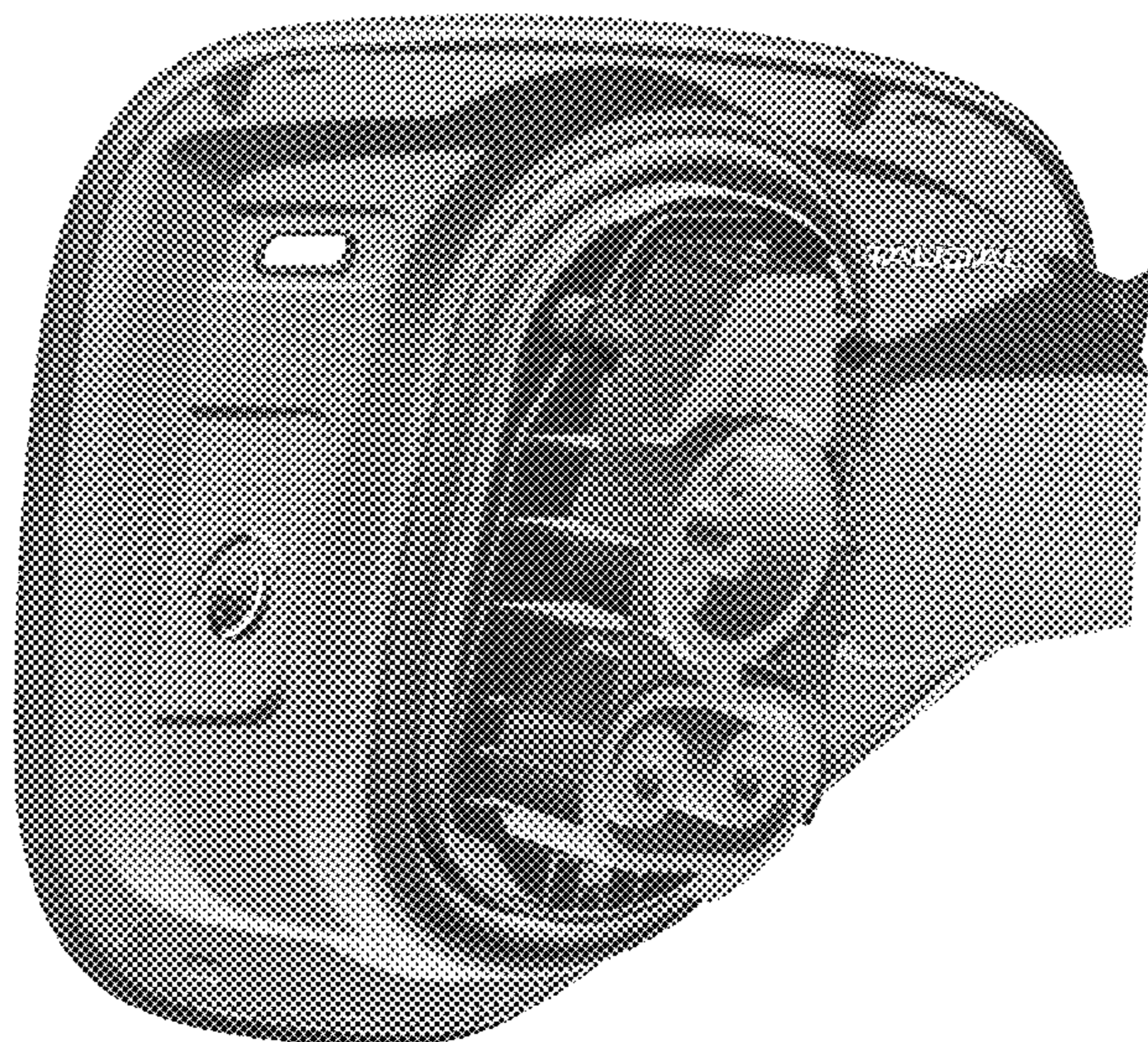
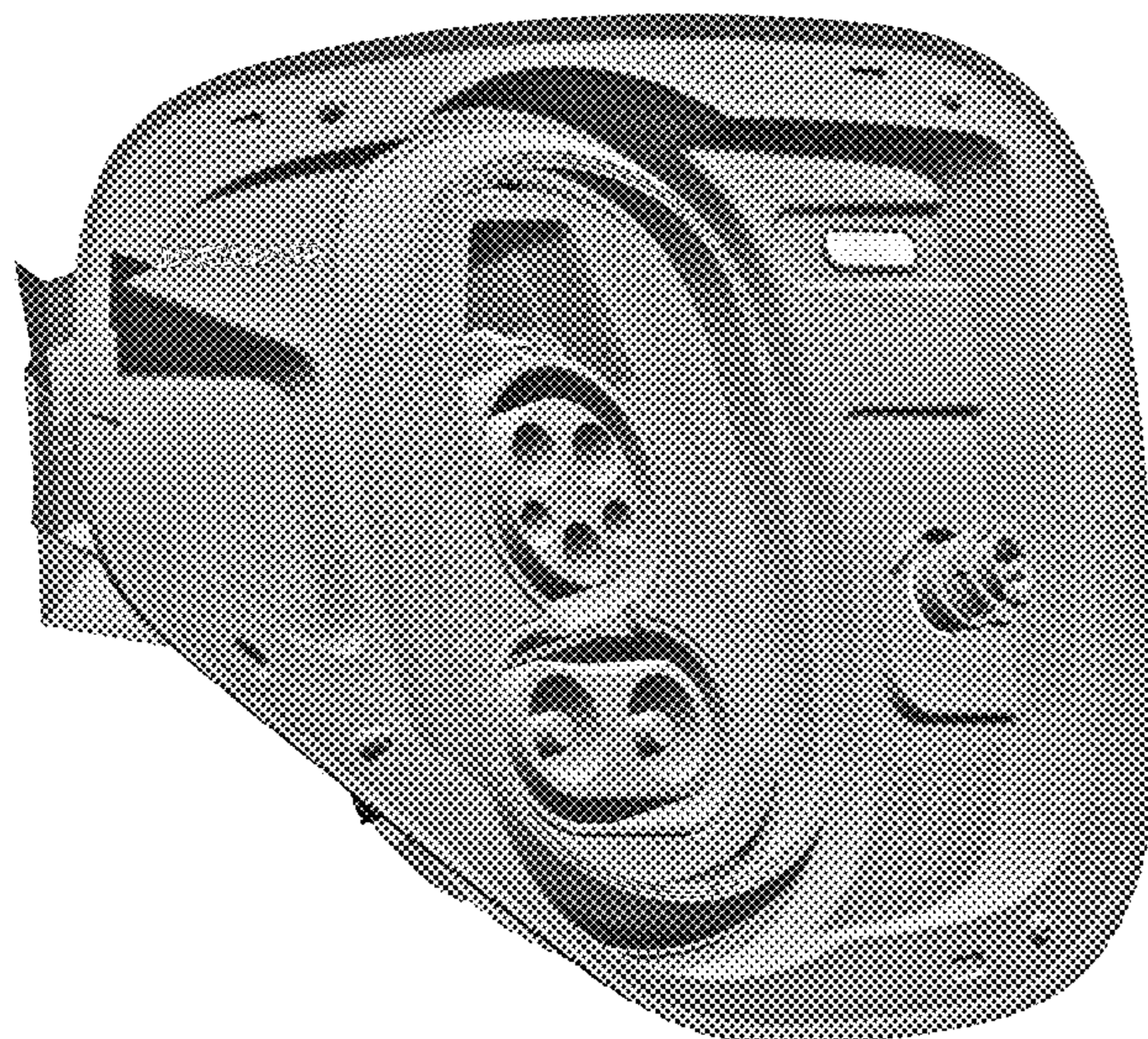
FIG. 9 is a top view thereof; and,

FIG. 10 is a bottom view thereof.

The broken lines in the figures are included for the purpose of illustrating portions of the charging bowl for a vehicle that form no part of the claimed design.

The letters/logo/trademark forming part of the disclosure is a registered trademark of Jaguar Land Rover Limited.

1 Claim, 9 Drawing Sheets



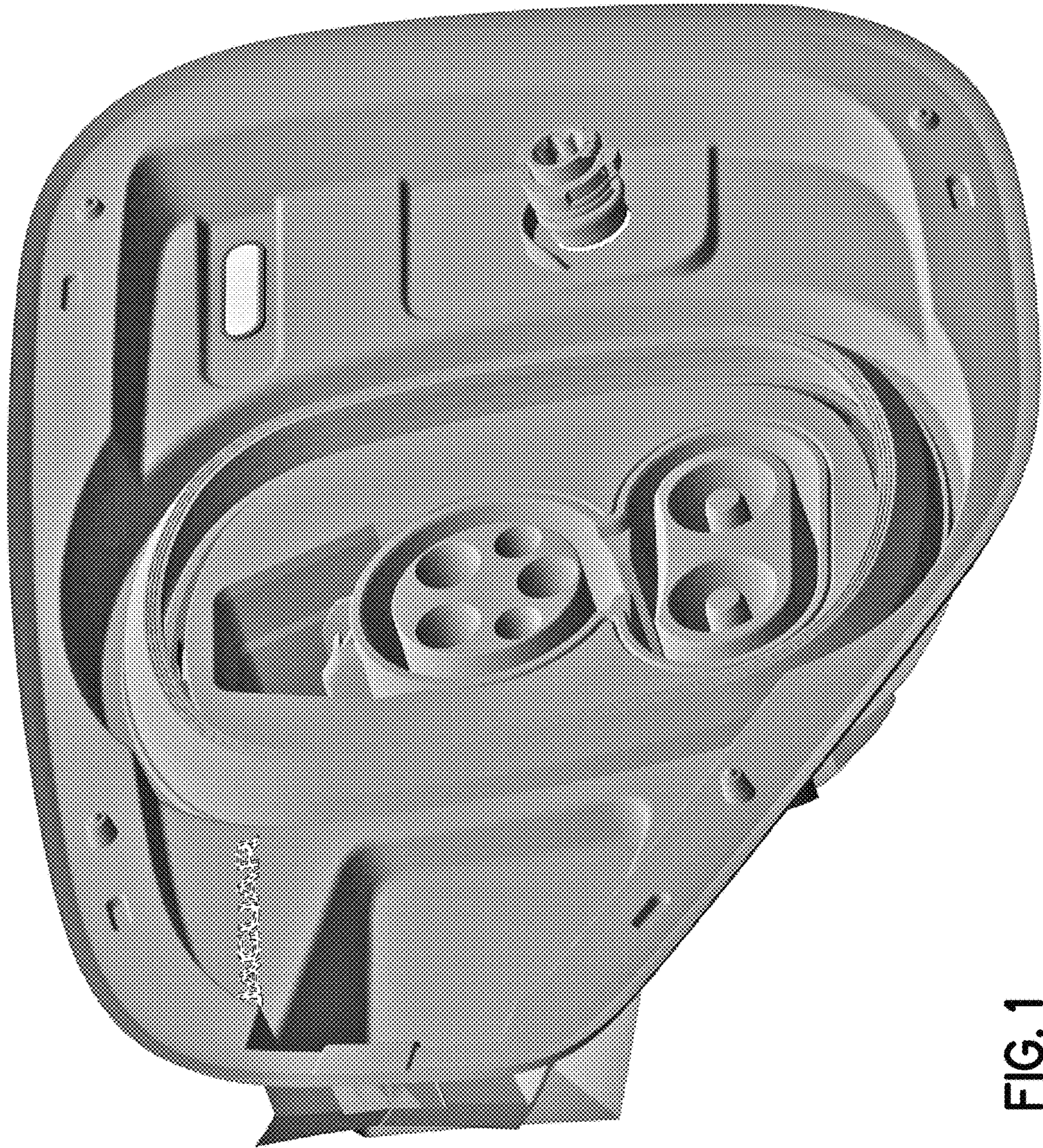


FIG. 1

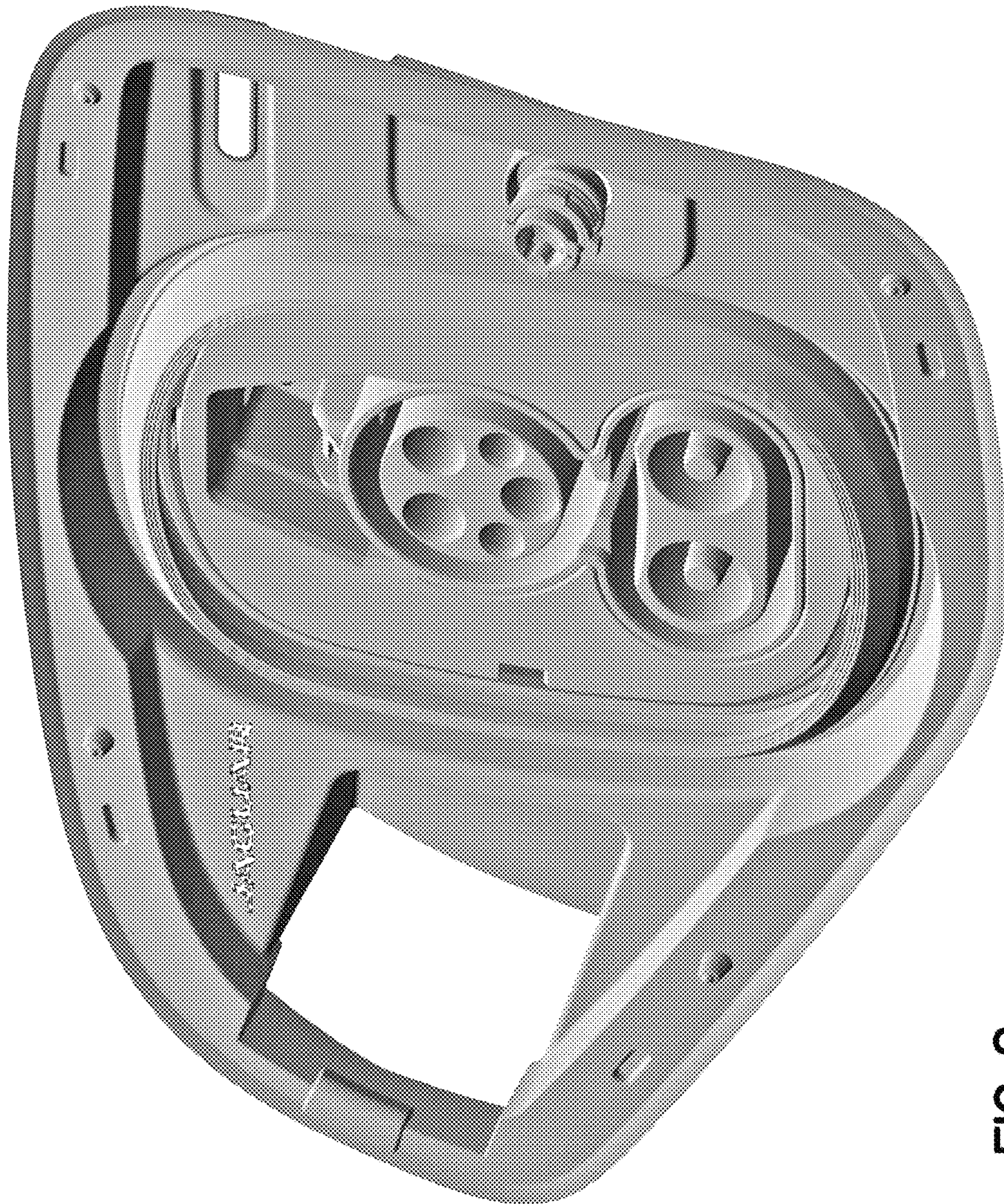


FIG. 2

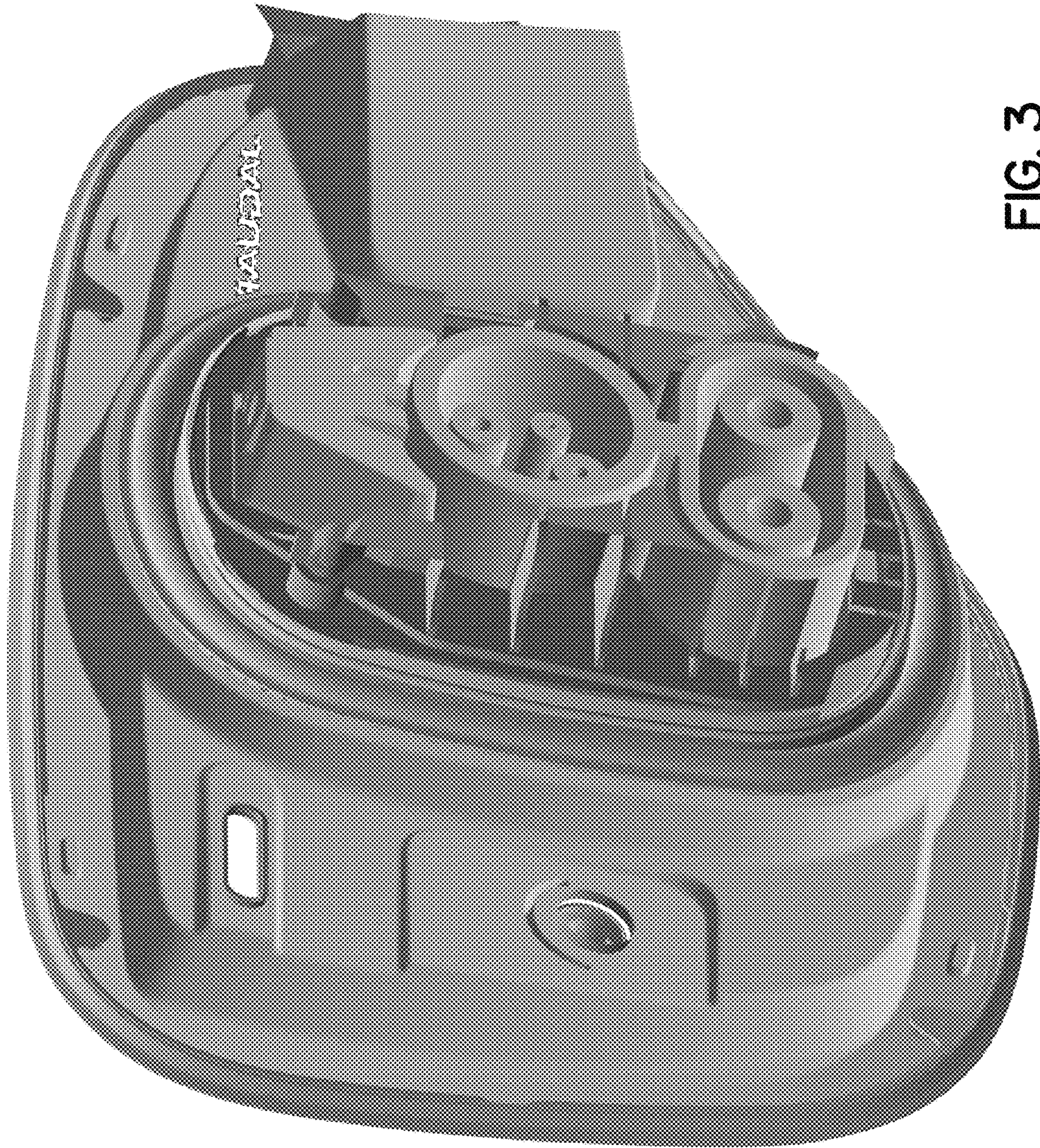


FIG. 3



FIG. 4



FIG. 5

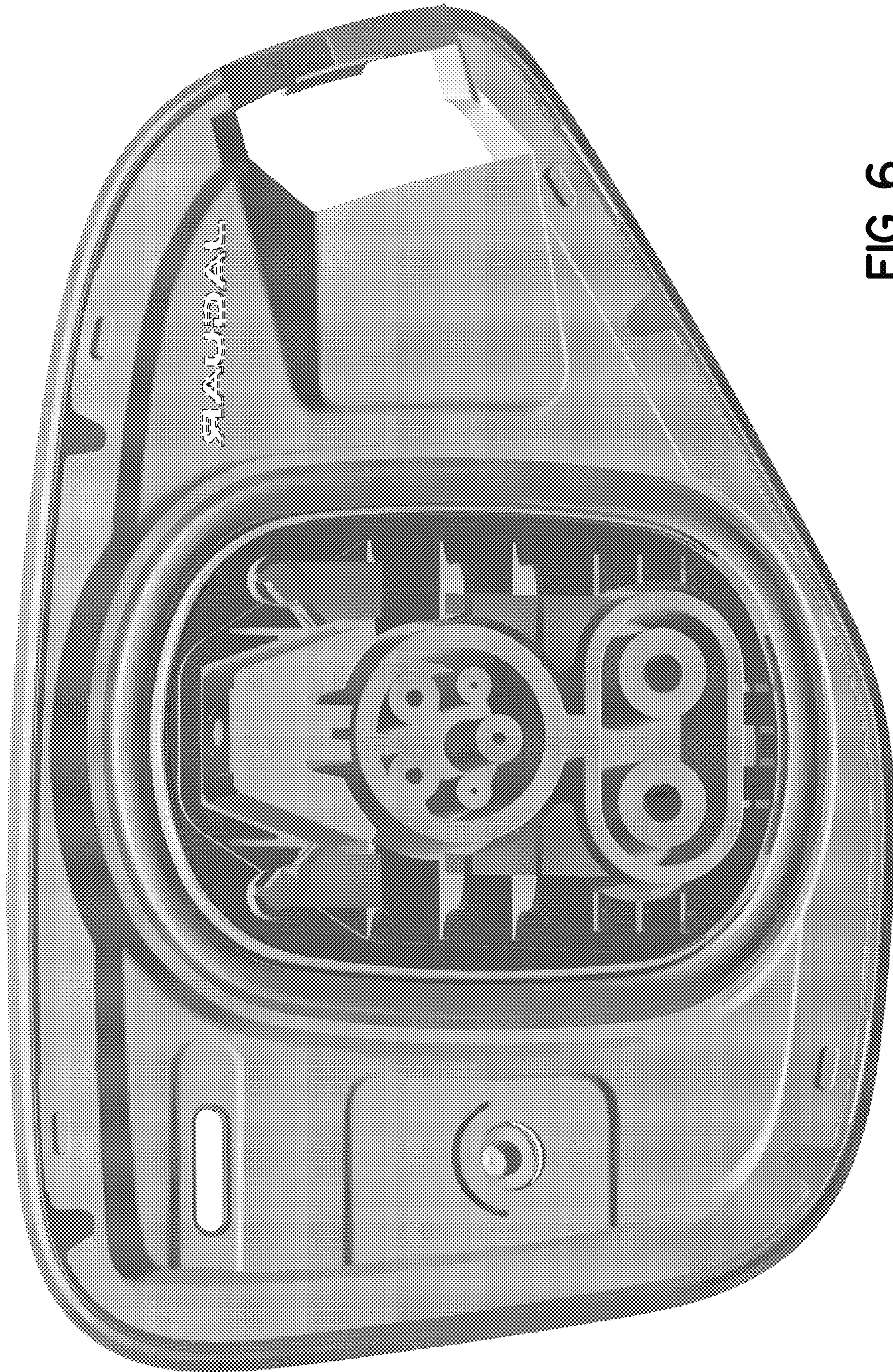


FIG. 6

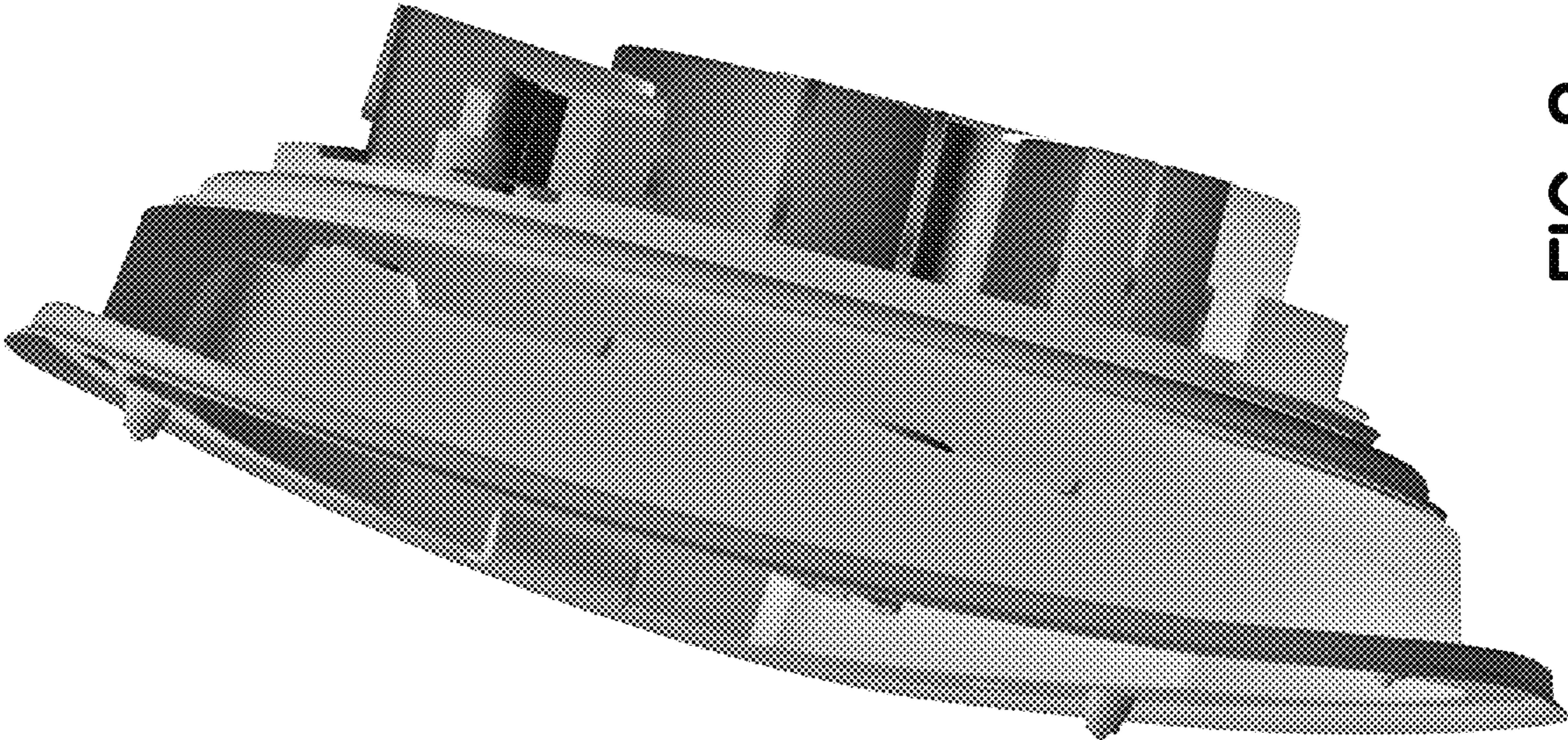


FIG. 8

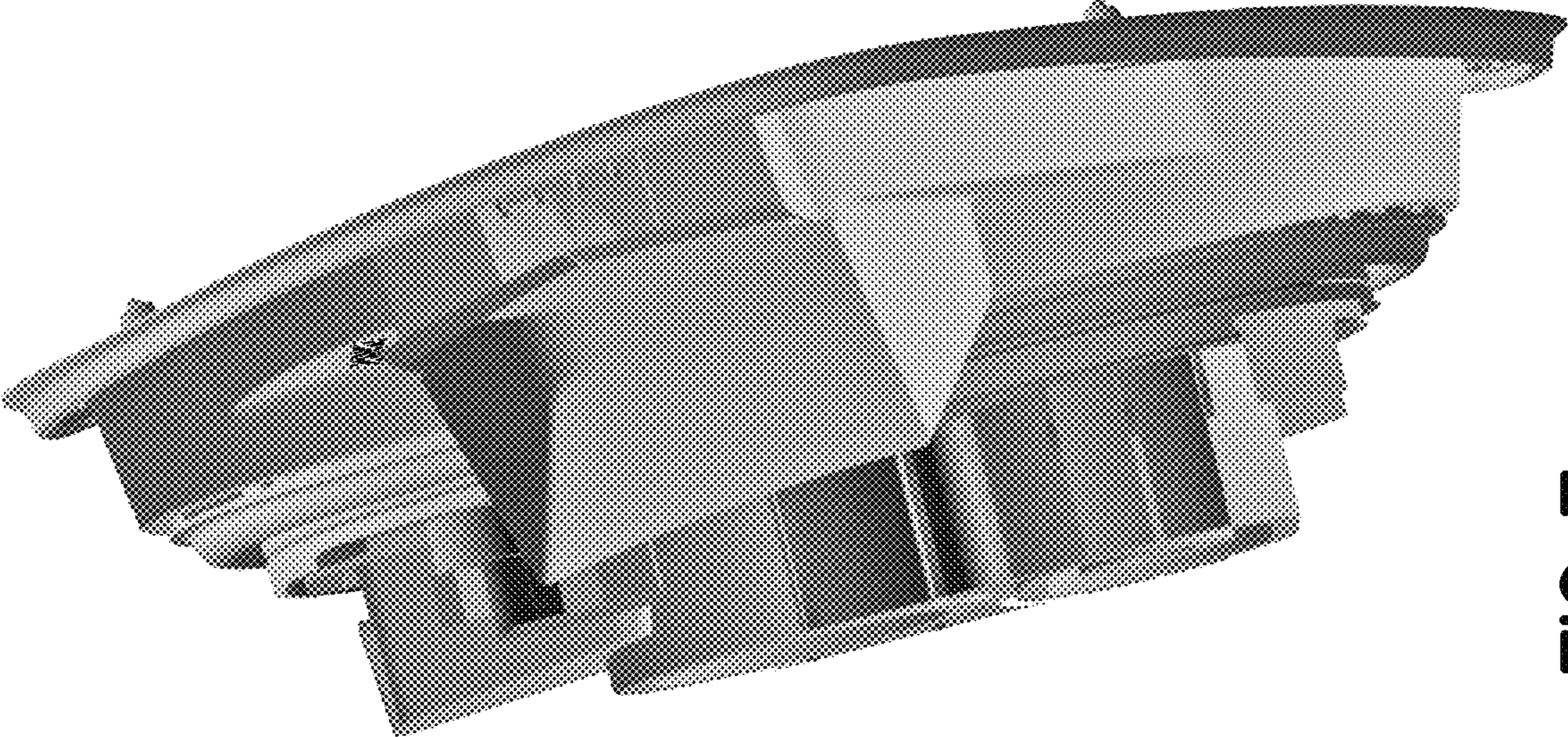


FIG. 7

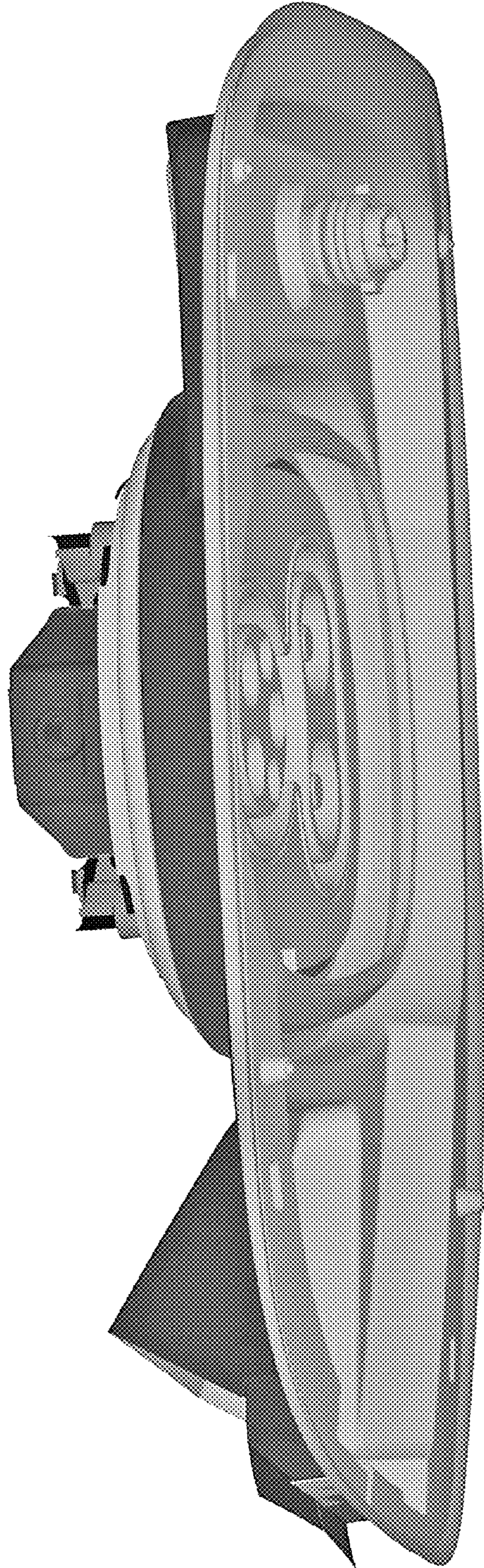


FIG. 9

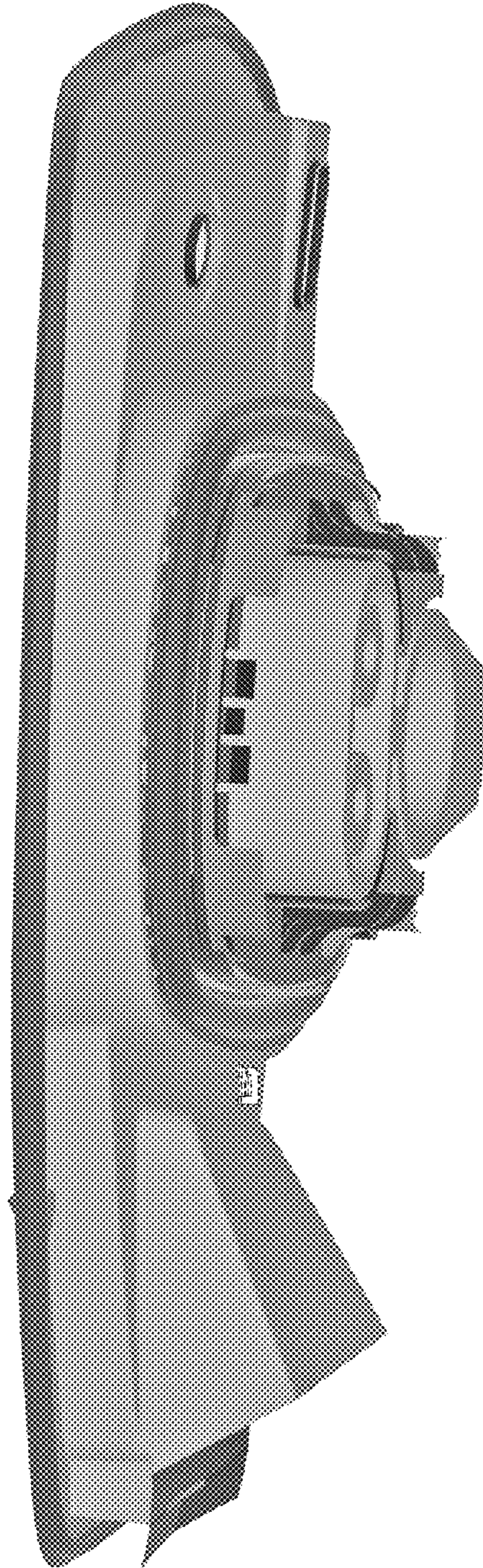


FIG. 10