



US00D881130S

(12) **United States Design Patent** (10) **Patent No.:** **US D881,130 S**
Crowder (45) **Date of Patent:** **** Apr. 14, 2020**

(54) **SECURABLE POWER ADAPTER**
(71) Applicant: **Robert Crowder**, Chicago, IL (US)
(72) Inventor: **Robert Crowder**, Chicago, IL (US)
(**) Term: **15 Years**
(21) Appl. No.: **29/657,099**
(22) Filed: **Jul. 19, 2018**

4,061,409 A 12/1977 Bealmear
4,494,809 A 1/1985 Soloman
4,500,160 A 2/1985 Bertsch
4,579,410 A 4/1986 Soloman
4,954,091 A 9/1990 Marble et al.
5,007,857 A 4/1991 Wright
5,249,976 A 10/1993 Brock
5,367,158 A * 11/1994 Herman F16P 3/20
250/221
5,409,397 A 4/1995 Karman
5,480,318 A 1/1996 Garrison
5,493,194 A * 2/1996 Damiano G05B 19/414
307/71
5,551,884 A 9/1996 Burkhart, Sr.
5,590,010 A 12/1996 Ceola et al.
5,635,814 A * 6/1997 Afzal H01M 2/105
320/111
D400,172 S * 10/1998 Aromin D13/138.1
6,171,129 B1 1/2001 Phillips
6,315,593 B1 11/2001 Bentley et al.

Related U.S. Application Data

(63) Continuation-in-part of application No. 15/725,224, filed on Oct. 4, 2017, now Pat. No. 10,181,680.
(51) **LOC (12) Cl.** **13-02**
(52) **U.S. Cl.**
USPC **D13/138.2**
(58) **Field of Classification Search**
USPC ... D13/138.1-138.2, 110, 137.1-137.4, 108, D13/133; D10/78, 40
CPC H01R 13/6395; H01R 31/06; H01R 13/6215; H02G 3/14; H01M 2/105; G05B 19/414; H01F 5/04; F16P 3/20
See application file for complete search history.

(Continued)
Primary Examiner — Rhea Shields
(74) *Attorney, Agent, or Firm* — Law Office of Mark Brown, LLC; Christopher M. DeBacker

(57) **CLAIM**

The ornamental design for a securable power adapter, as shown and described.

(56) **References Cited**

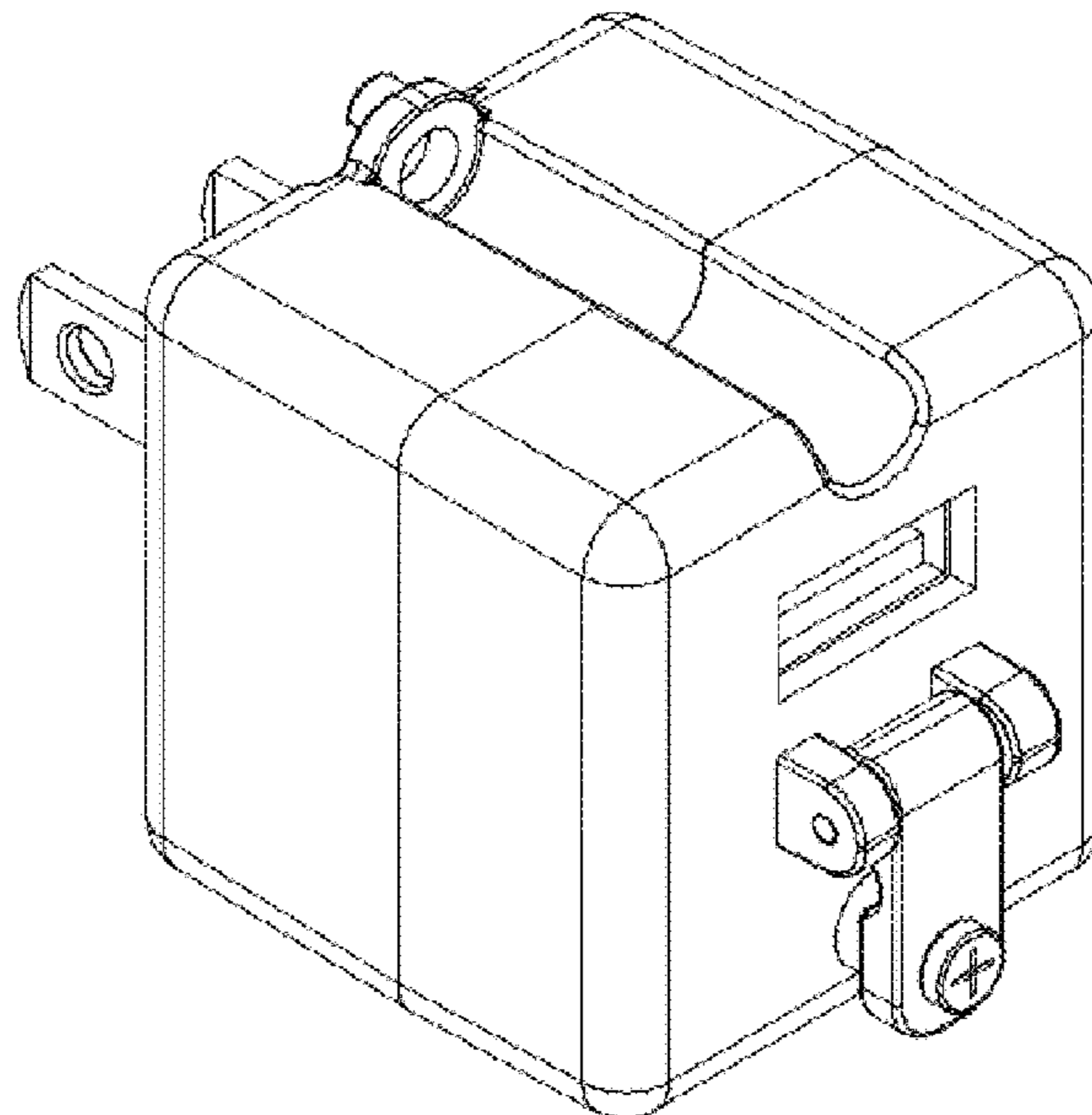
U.S. PATENT DOCUMENTS

1,341,468 A 5/1920 Kenney
1,511,855 A 10/1924 Wentz
1,976,501 A 10/1934 James
2,002,558 A 5/1935 Von Holtz
2,199,560 A 5/1940 Faller
2,436,586 A 2/1948 Mangold
3,161,450 A * 12/1964 Goodenough H01R 13/6215
439/304
3,579,283 A 5/1971 Welburn
3,775,727 A 11/1973 Wise
4,028,654 A * 6/1977 Bullard H01F 5/04
336/92

DESCRIPTION

FIG. 1 is a top rear isometric view of the securable power adapter, showing my present design;
FIG. 2 is a top front isometric view thereof;
FIG. 3 is a bottom front isometric view thereof;
FIG. 4 is a rear view thereof;
FIG. 5 is a right side view thereof;
FIG. 6 is a left side view thereof;
FIG. 7 is a bottom plan view thereof;
FIG. 8 is a front view thereof; and,
FIG. 9 is a top plan view thereof.

1 Claim, 9 Drawing Sheets



(56)

References Cited

U.S. PATENT DOCUMENTS

6,419,504 B1	7/2002	Nelson	
D475,015 S *	5/2003	Shimojo	D13/137.1
6,753,755 B2	6/2004	Montague	
6,875,040 B1	4/2005	O'Keefe et al.	
7,077,683 B1	7/2006	Ross	
D540,257 S *	4/2007	Ivanova	D13/137.2
7,220,136 B1	5/2007	Green	
D556,138 S *	11/2007	Ng	D13/138.1
7,439,444 B1 *	10/2008	Maltby	H02G 3/14 174/66
D621,782 S *	8/2010	Chang	D13/138.1
7,798,838 B2 *	9/2010	Grieff	H01R 31/06 439/346
D631,765 S *	2/2011	Qian	D10/40
D653,615 S *	2/2012	Au	D13/108
D665,354 S *	8/2012	Chen	D13/138.1
D693,764 S *	11/2013	Hok Man	D13/108
8,668,516 B2	3/2014	Lee	
8,808,014 B2	8/2014	Hsu et al.	
D727,185 S *	4/2015	Aromin	D10/78
D735,130 S *	7/2015	Huang	D13/108
D735,669 S *	8/2015	Kelly	D13/138.1
9,147,973 B1	9/2015	Madison	
9,197,018 B2 *	11/2015	Garofalo	H01R 13/6395
D751,038 S *	3/2016	Lin	D13/137.2
D753,595 S *	4/2016	Yao	D13/133
D758,312 S *	6/2016	Lin	D13/137.2
D788,709 S *	6/2017	Yeo	D13/137.2
9,825,414 B2	11/2017	Armstrong et al.	
D804,412 S *	12/2017	Huang	D13/108
D816,038 S *	4/2018	Lu	D13/137.3
D820,212 S *	6/2018	Stern	D13/137.2
D845,898 S *	4/2019	Laffon de Mazieres	D13/110
D856,934 S *	8/2019	Levy	D13/137.2
2013/0337675 A1	12/2013	Cai et al.	
2014/0213093 A1	7/2014	Tal et al.	

* cited by examiner

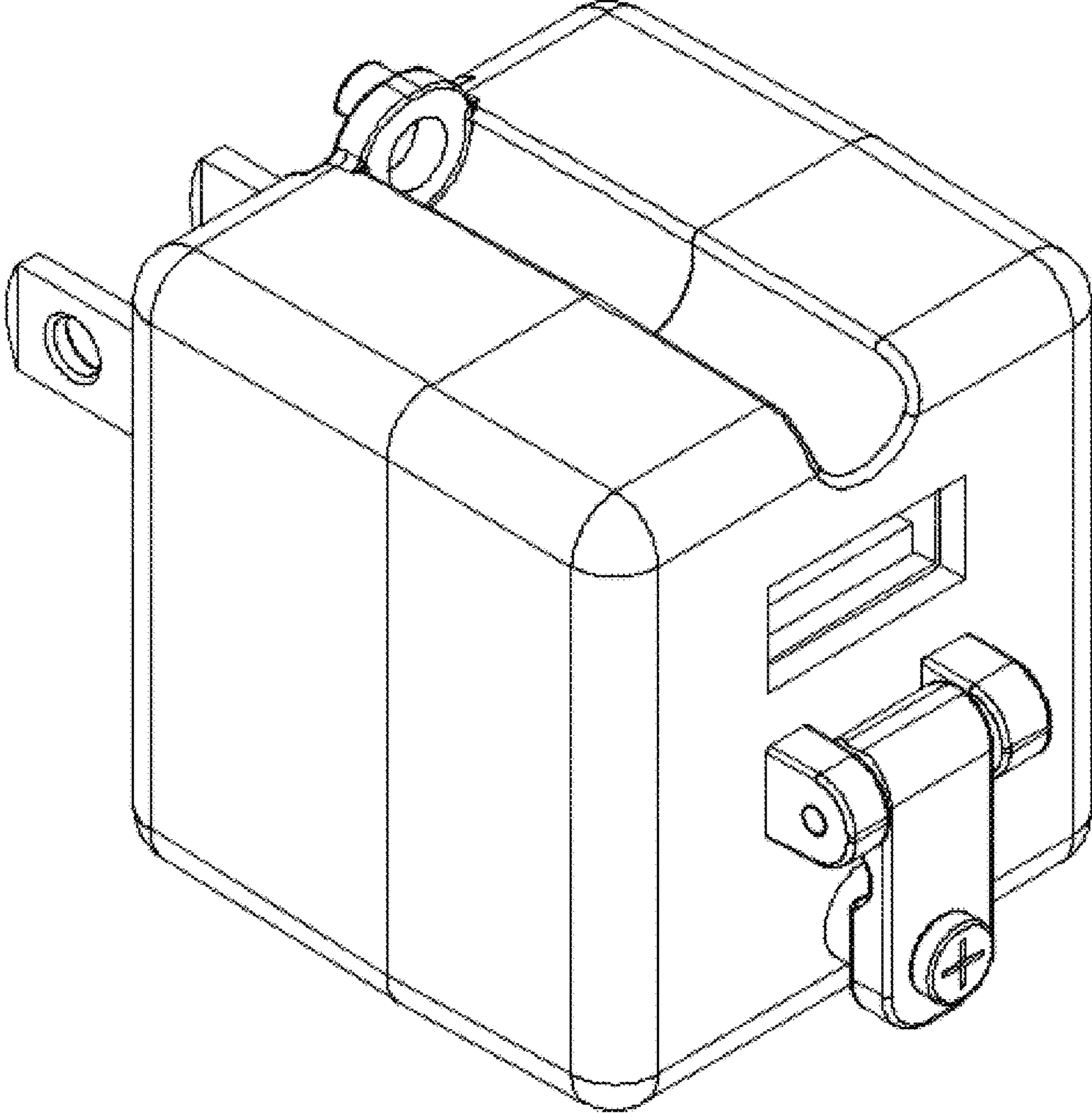


FIG. 1

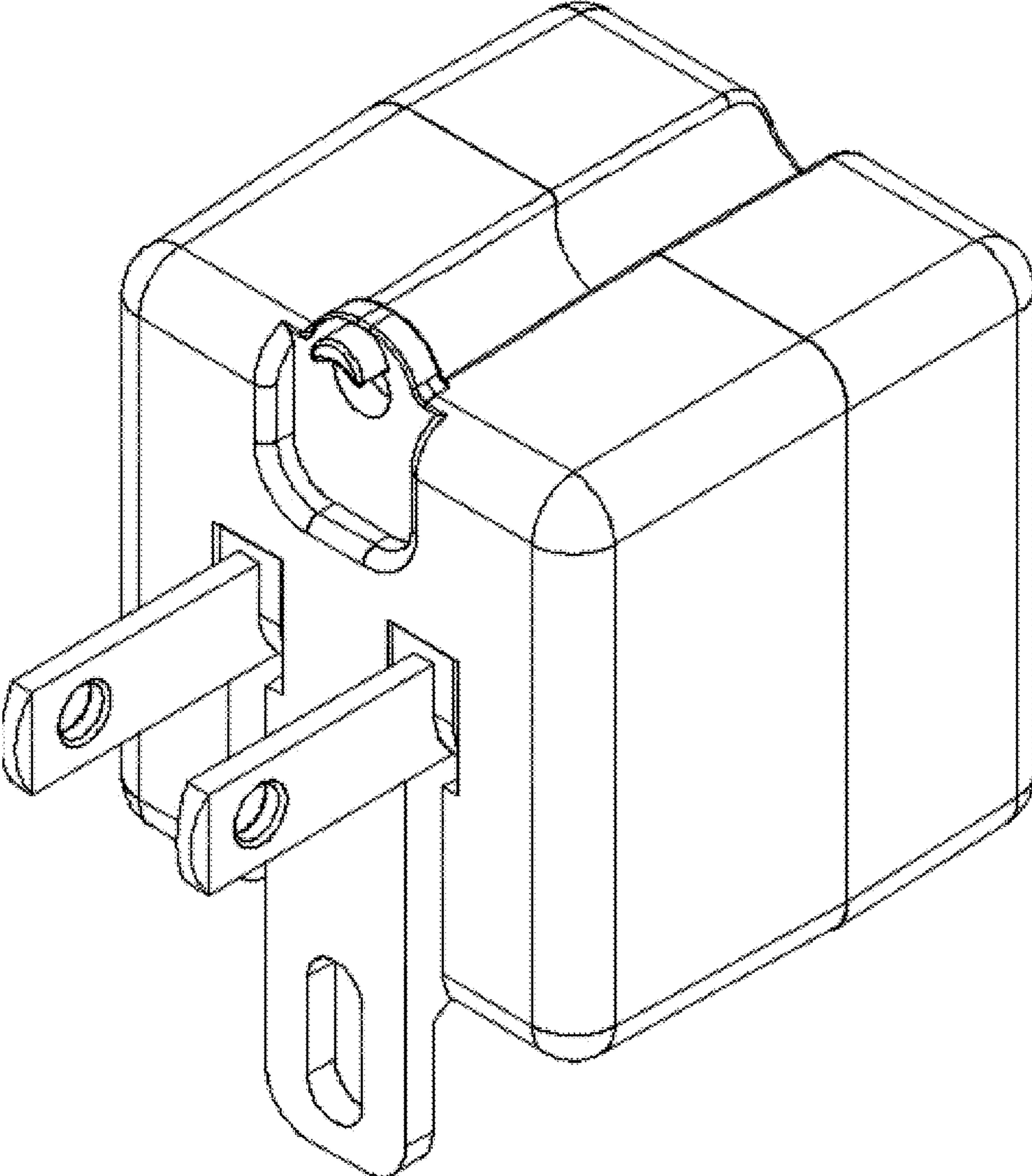


FIG. 2

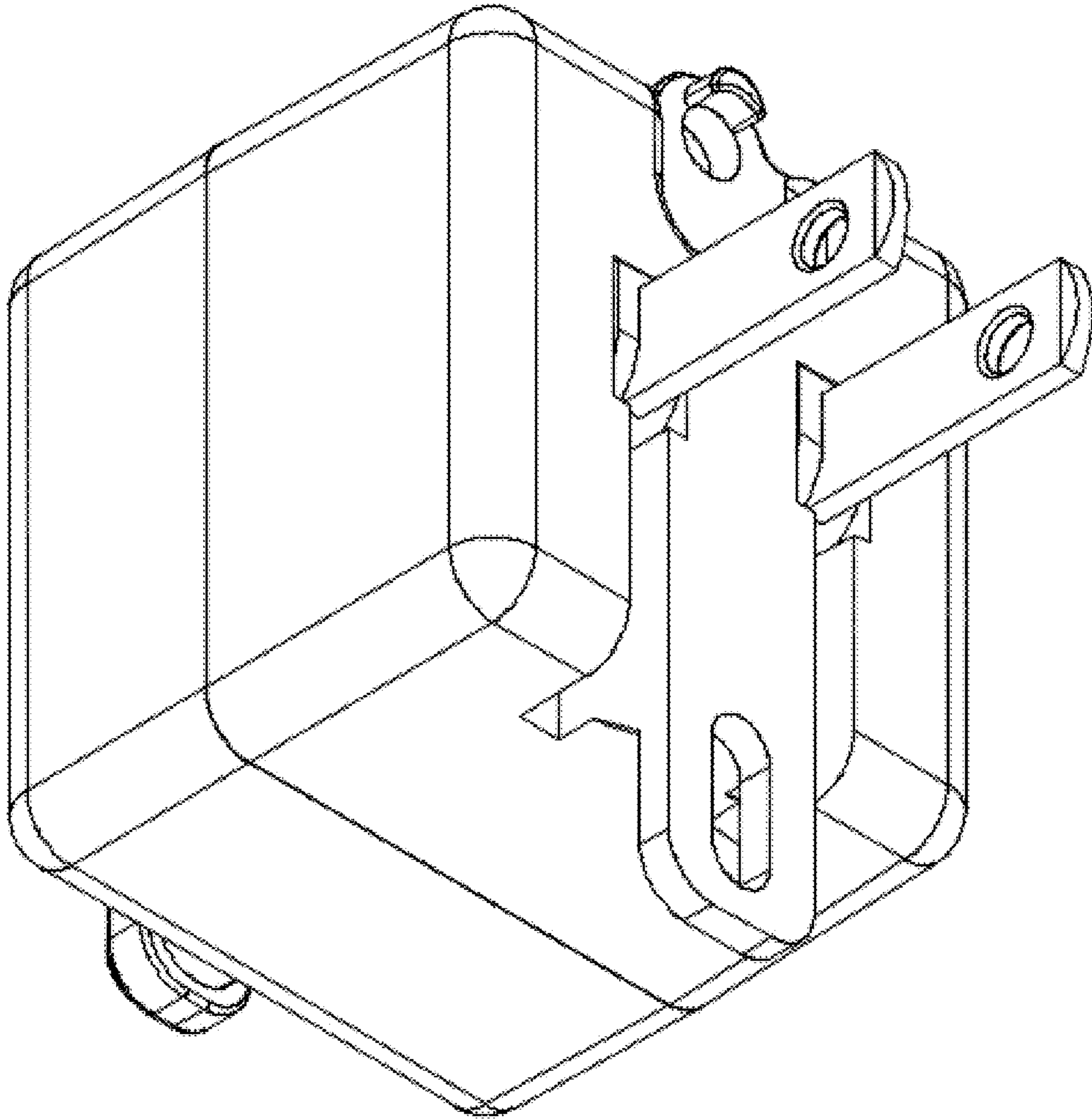


FIG. 3

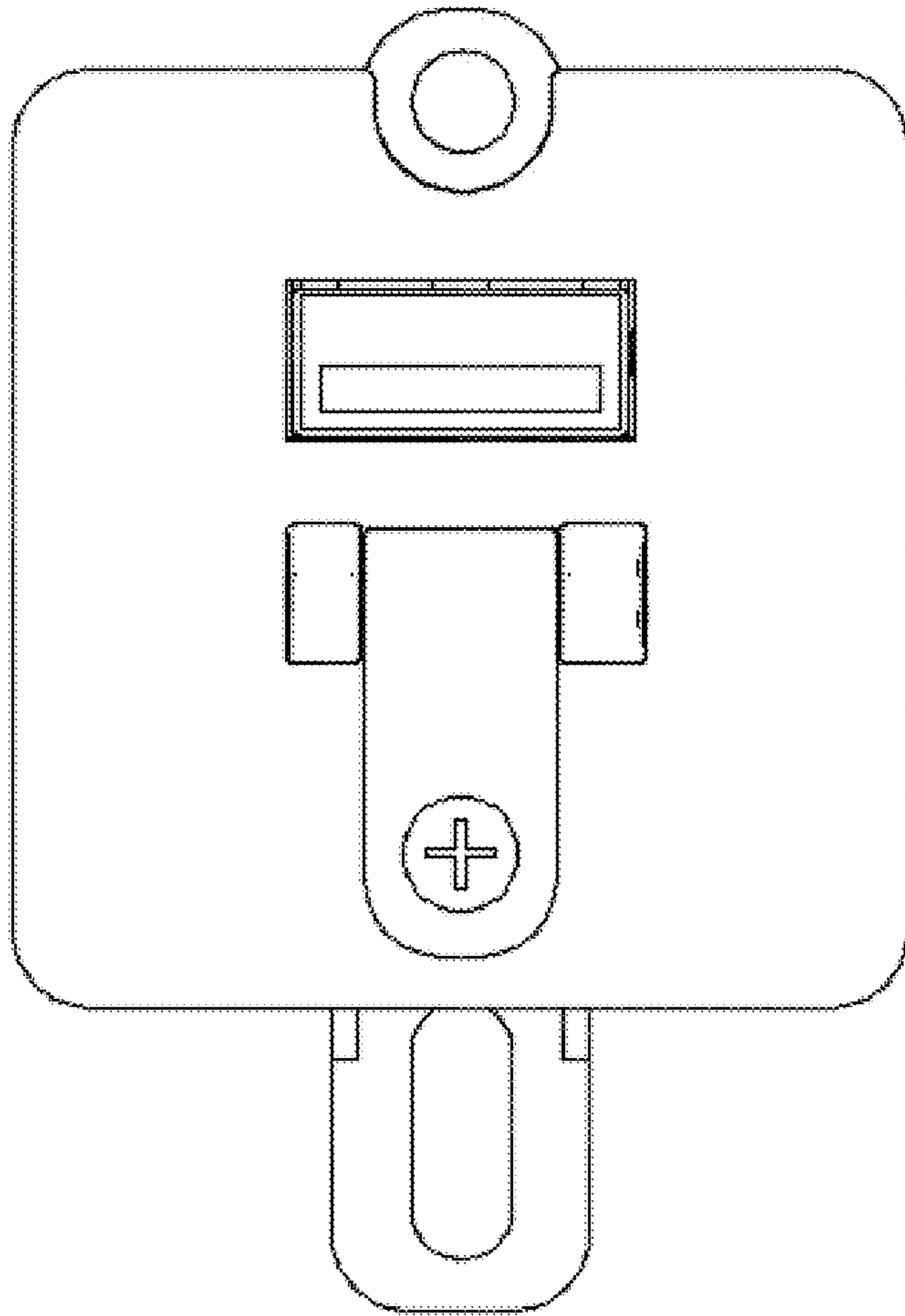


FIG. 4

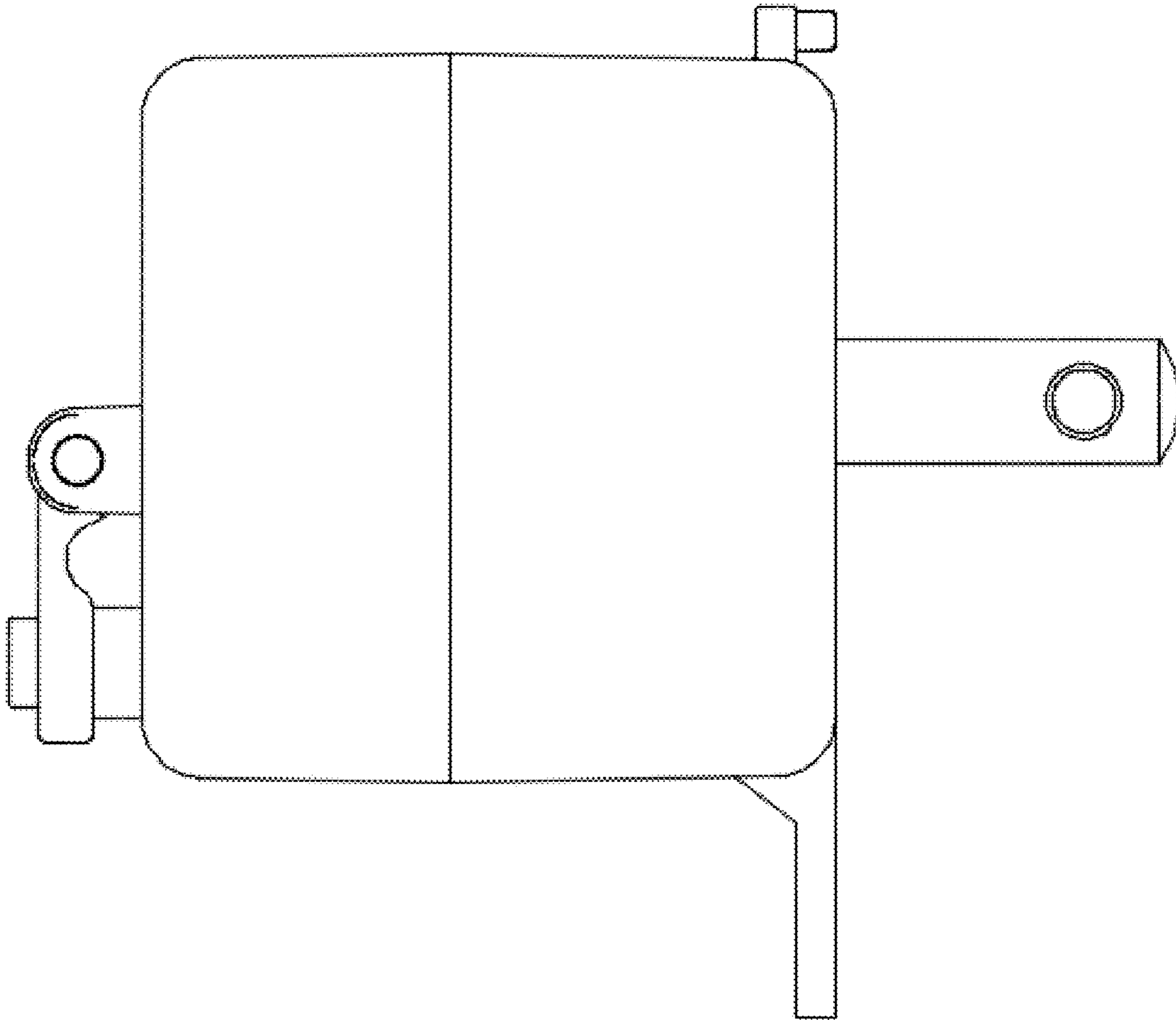


FIG. 5

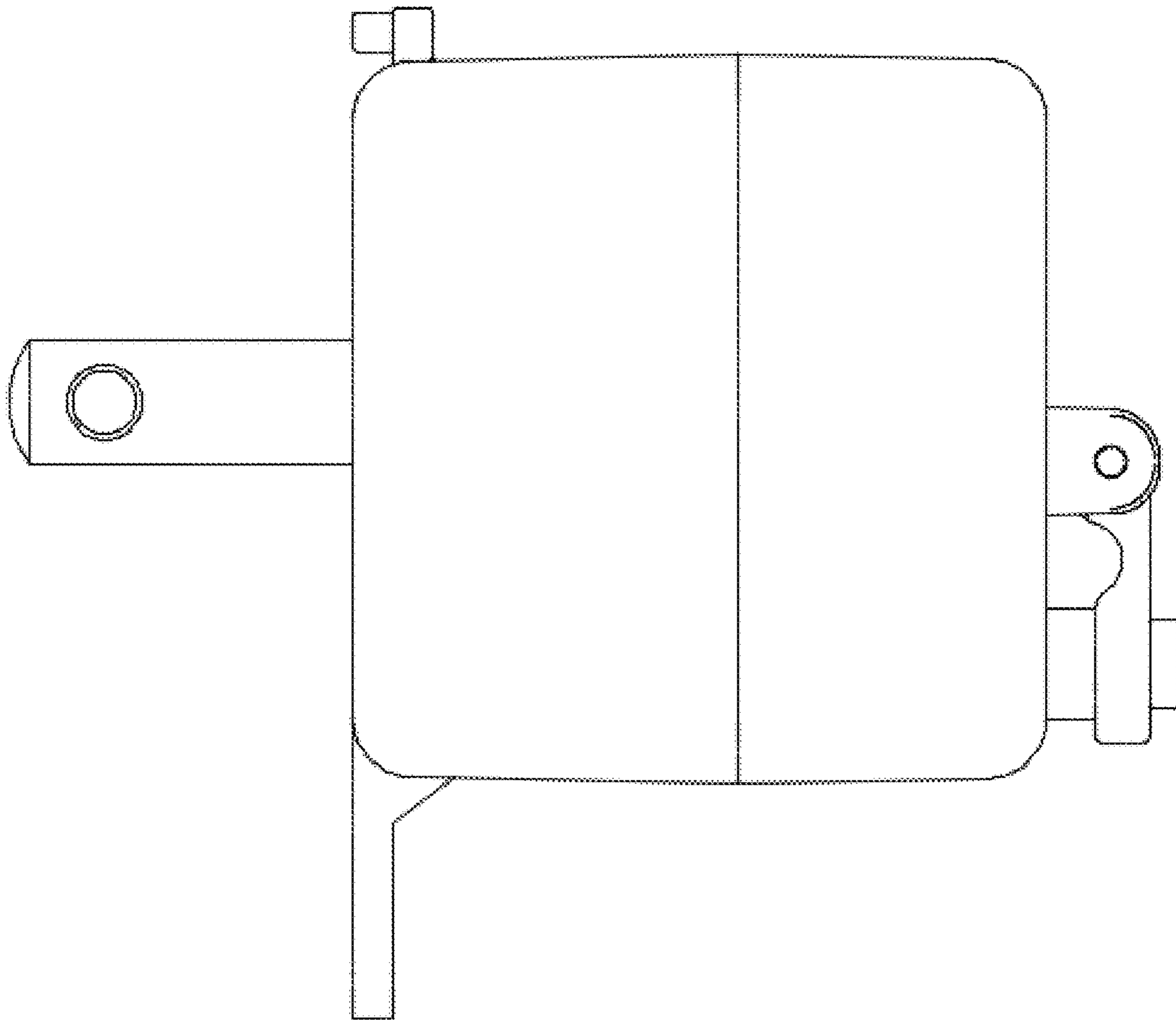


FIG. 6

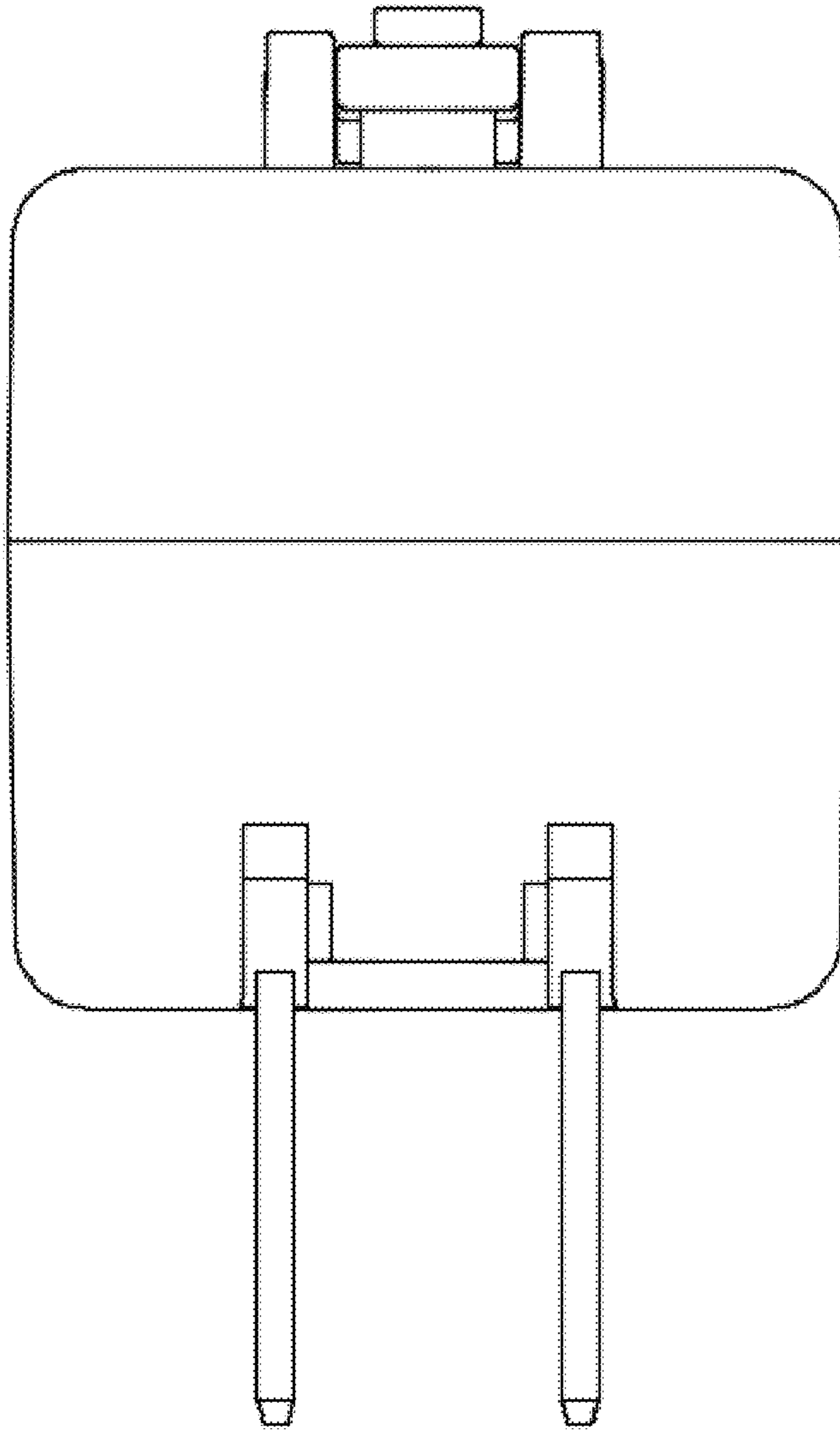


FIG. 7

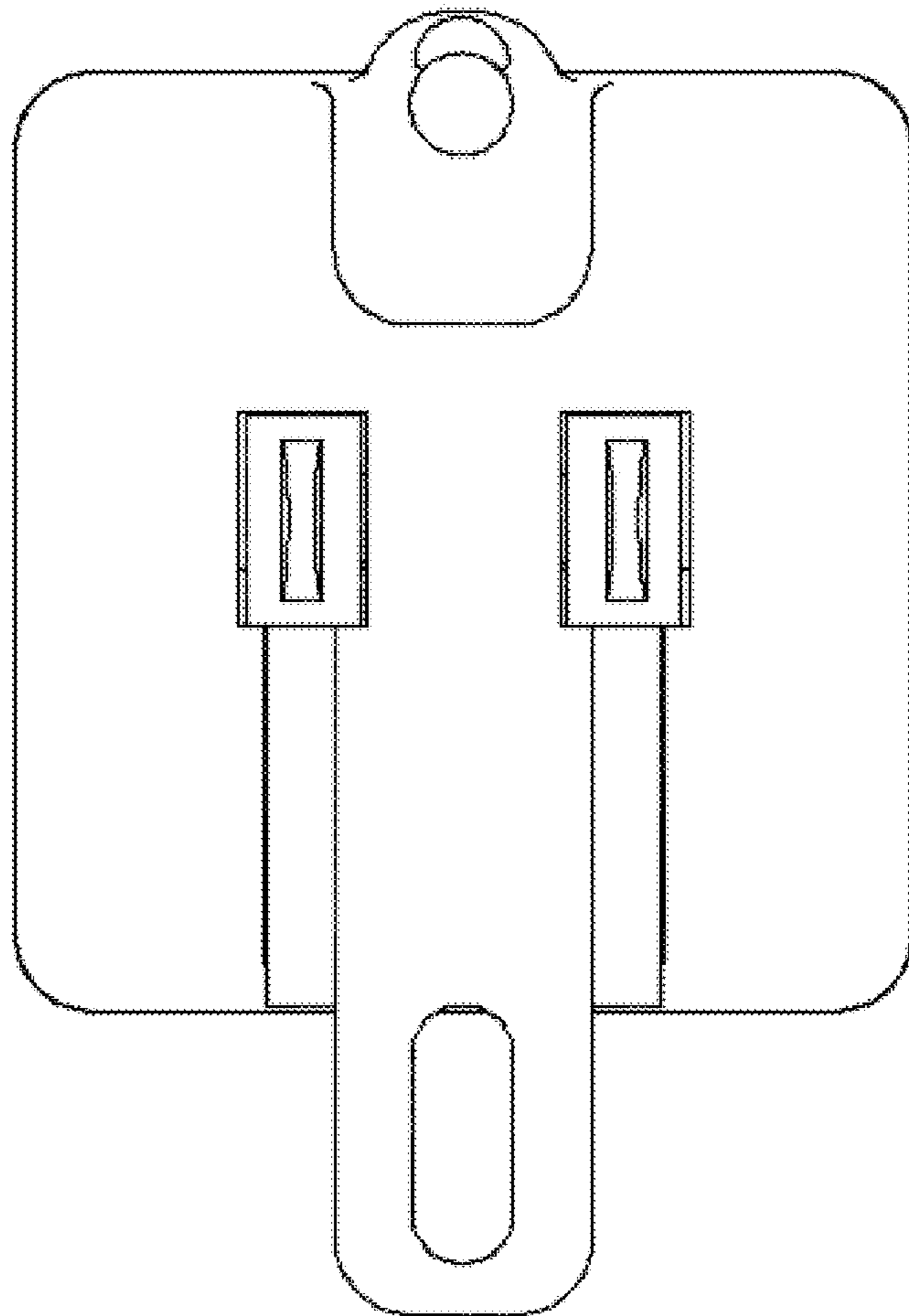


FIG. 8

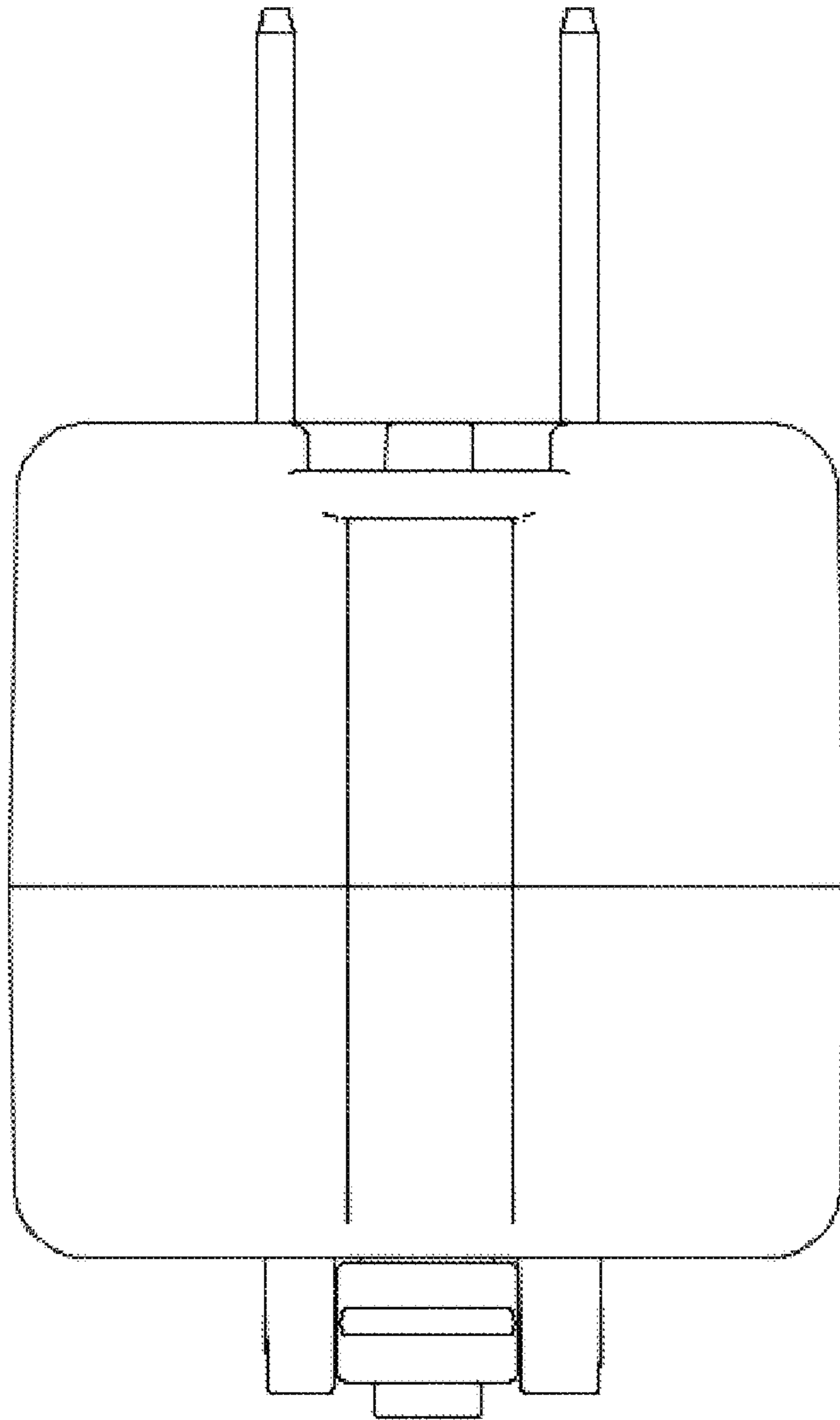


FIG. 9