



US00D881128S

(12) **United States Design Patent**
Fries et al.

(10) **Patent No.:** **US D881,128 S**
(45) **Date of Patent:** **** Apr. 14, 2020**

(54) **TERMINAL BOX**

(71) Applicant: **ebm-papst Mulfingen GmbH & Co. KG, Mulfingen (DE)**

(72) Inventors: **Astrid Fries, Marbach (DE); Michael Sturm, Bad Mergentheim (DE)**

(73) Assignee: **ebm-papst Mulfingen GmbH & Co. KG, Mulfingen (DE)**

(**) Term: **15 Years**

(21) Appl. No.: **29/613,413**

(22) Filed: **Aug. 10, 2017**

(30) **Foreign Application Priority Data**

May 15, 2017 (EM) 004001436

(51) **LOC (12) Cl.** **13-02**

(52) **U.S. Cl.**
USPC **D13/122**

(58) **Field of Classification Search**

USPC D13/101, 112, 113, 114, 118, 122, 184,
D13/199; D15/3, 5, 199

CPC .. H02K 5/18; H02K 5/20; H02K 9/19; H02K
9/20; H02K 3/24; H02K 3/47; H02K
7/145; H02K 11/33; H02K 2205/09;
B23D 53/12; F02B 63/04

See application file for complete search history.

(56) **References Cited**

U.S. PATENT DOCUMENTS

D268,022 S * 2/1983 Lenz D13/122
4,673,837 A * 6/1987 Gingerich H02K 5/148
29/597

D401,553 S * 11/1998 Pearce D13/112
D441,715 S * 5/2001 Sasaki D13/122
6,858,955 B2 * 2/2005 Lau H01R 39/24
310/239
D502,917 S * 3/2005 Bird D13/112
D579,869 S * 11/2008 Lau D13/112
D611,410 S * 3/2010 Sturm D13/112
D624,018 S * 9/2010 Ishizuka D13/118
D642,200 S * 7/2011 Jiang D15/5
D645,821 S * 9/2011 Masumoto D13/133
D664,565 S * 7/2012 Sonoda D15/5
D707,629 S * 6/2014 Cocks D13/122
D714,217 S * 9/2014 Tanaka D13/122
D726,110 S * 4/2015 Wang D13/122

* cited by examiner

Primary Examiner — Derrick E Holland

(74) *Attorney, Agent, or Firm* — Harness, Dickey & Pierce, P.L.C.

(57) **CLAIM**

The ornamental design for a terminal box, as shown and described.

DESCRIPTION

FIG. 1 is a side perspective view of the terminal box showing our new design;

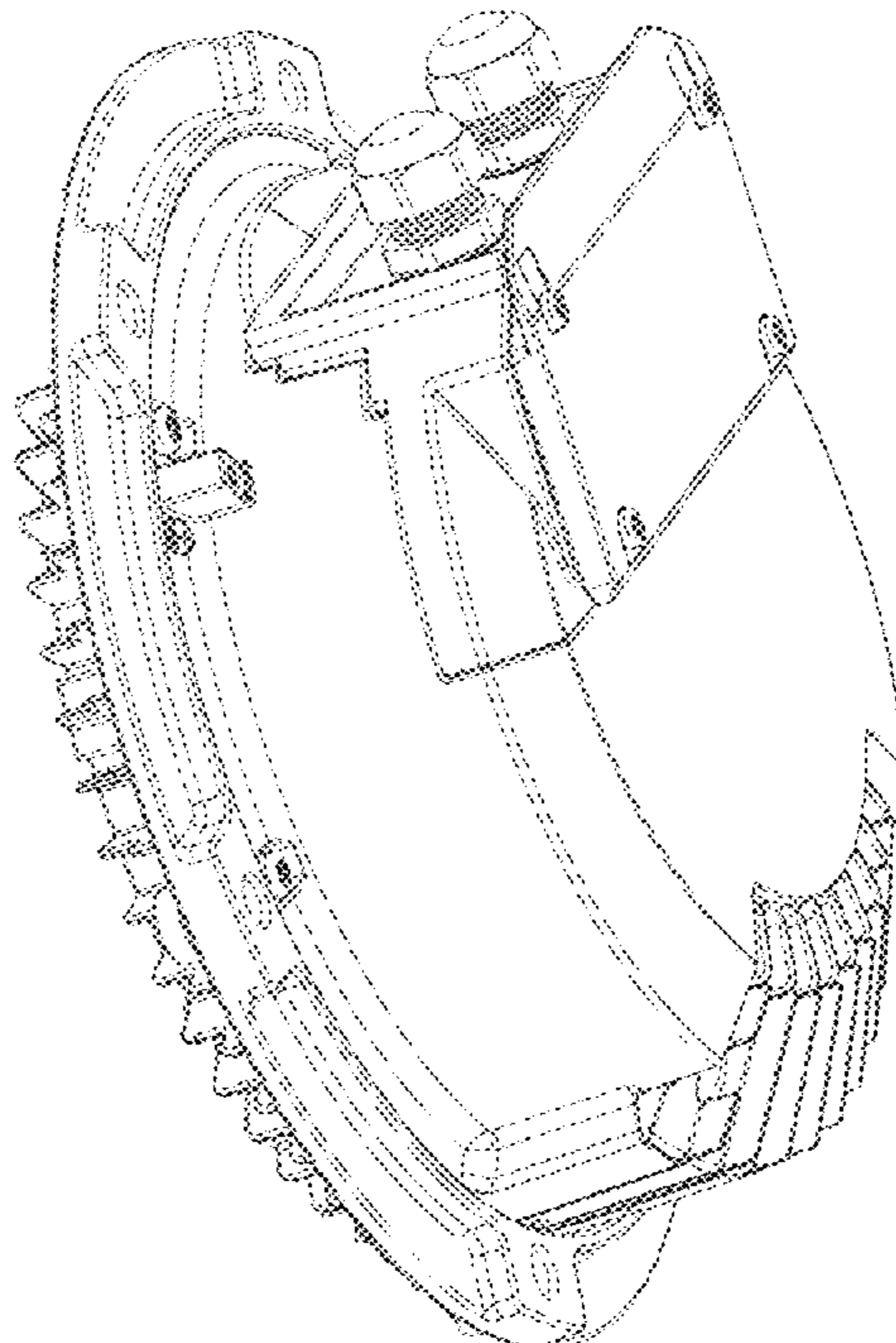
FIG. 2 is a top plan view of the terminal box;

FIG. 3 is a first side elevation view of the terminal box;

FIG. 4 is a second side elevation view of the terminal box; and,

FIG. 5 is a third side elevation view of the terminal box.

1 Claim, 5 Drawing Sheets



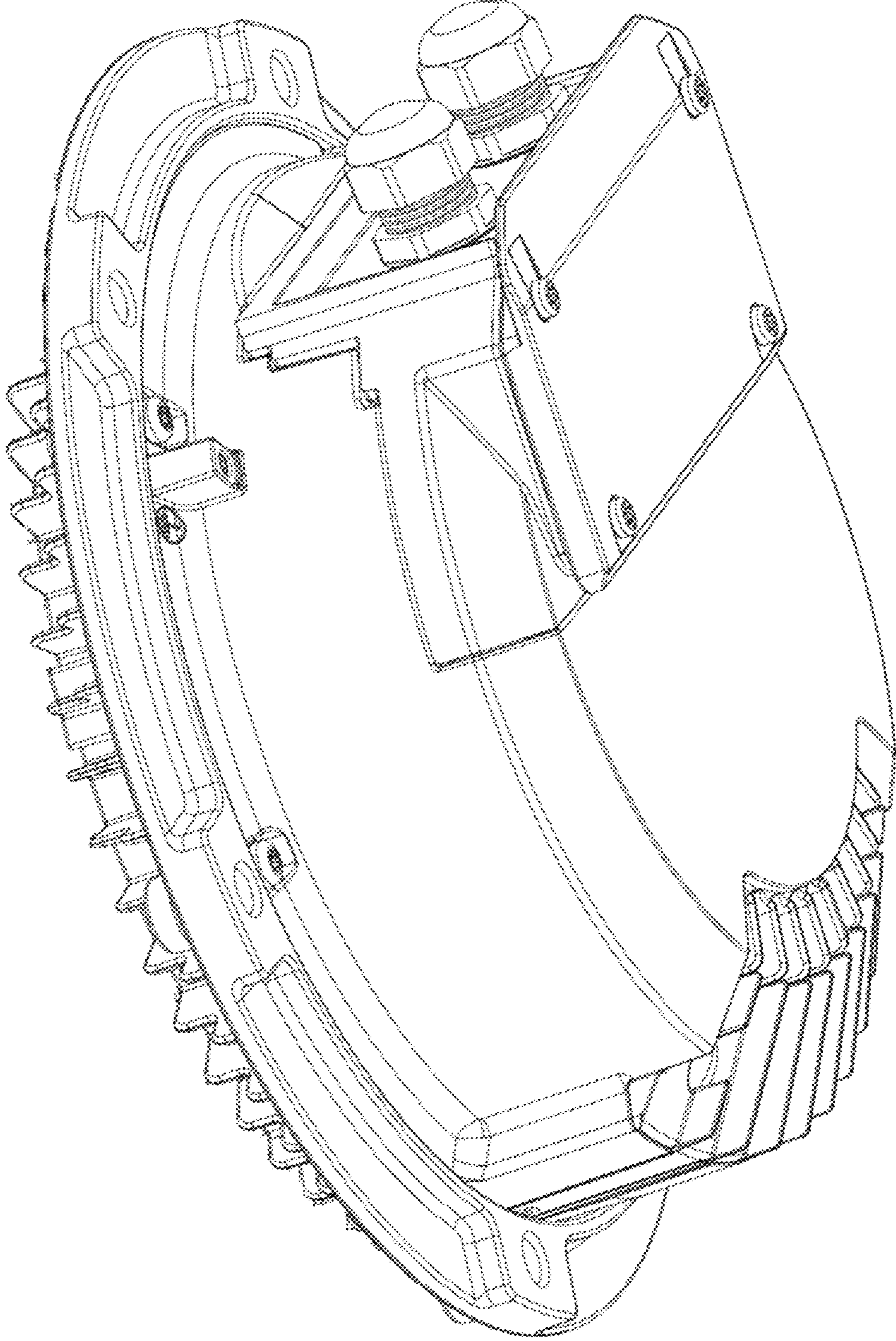


FIG. 1

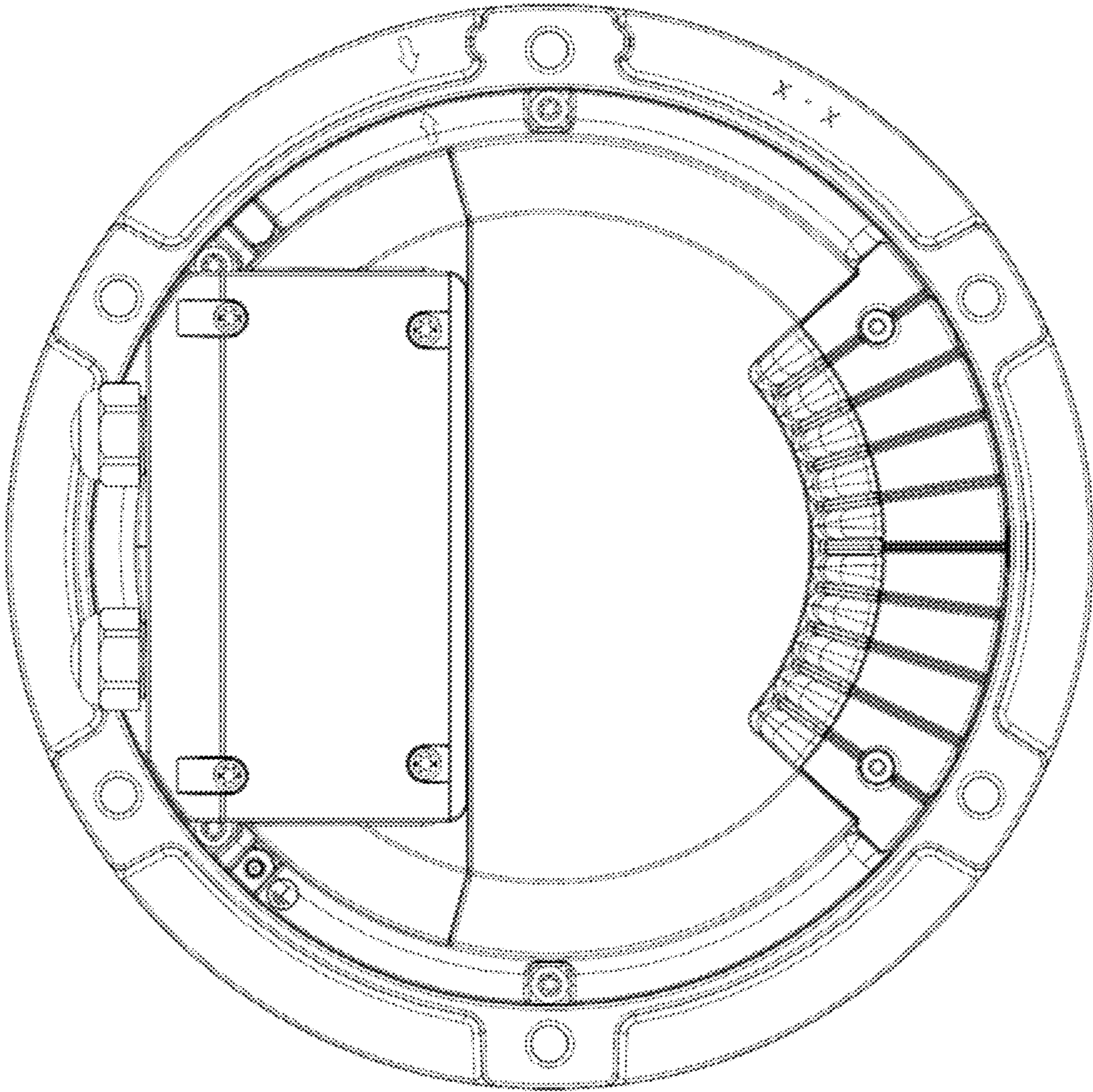


FIG. 2

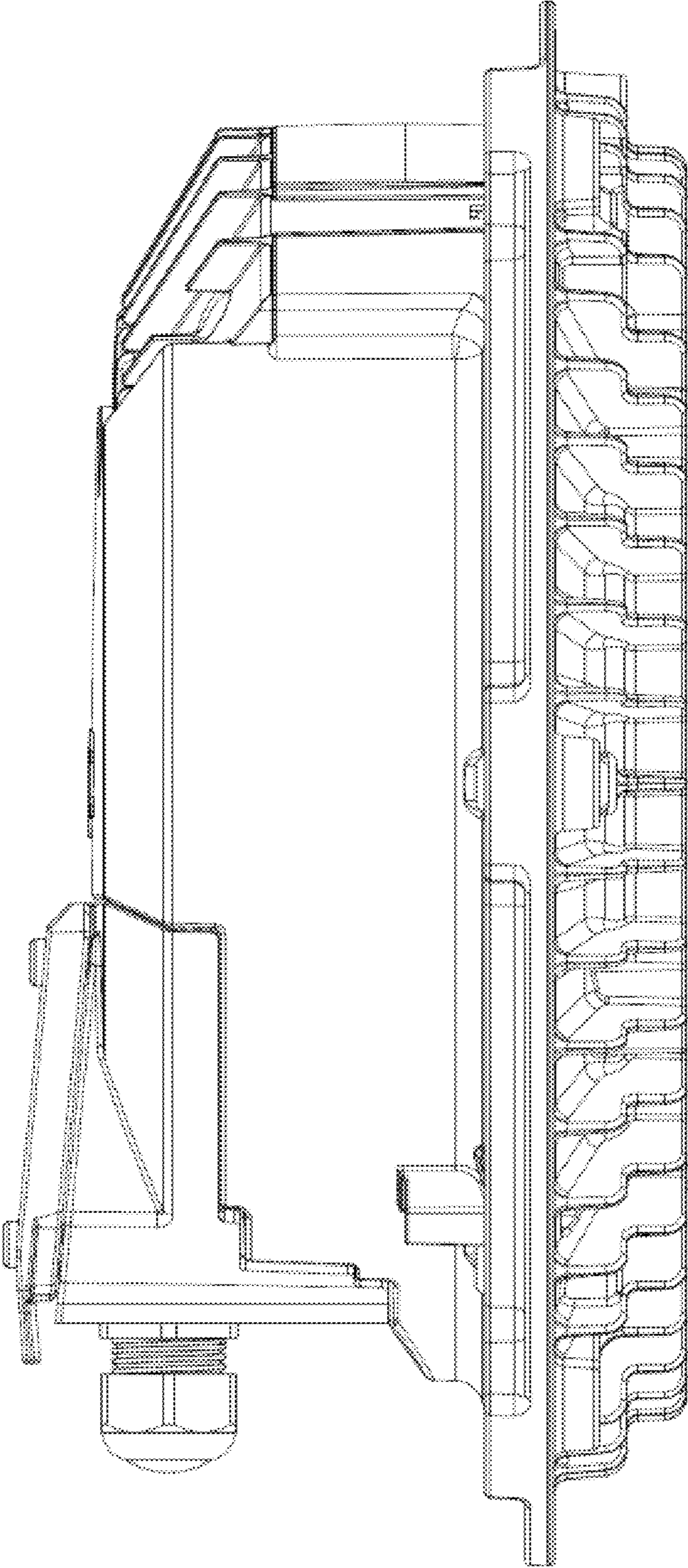


FIG. 3

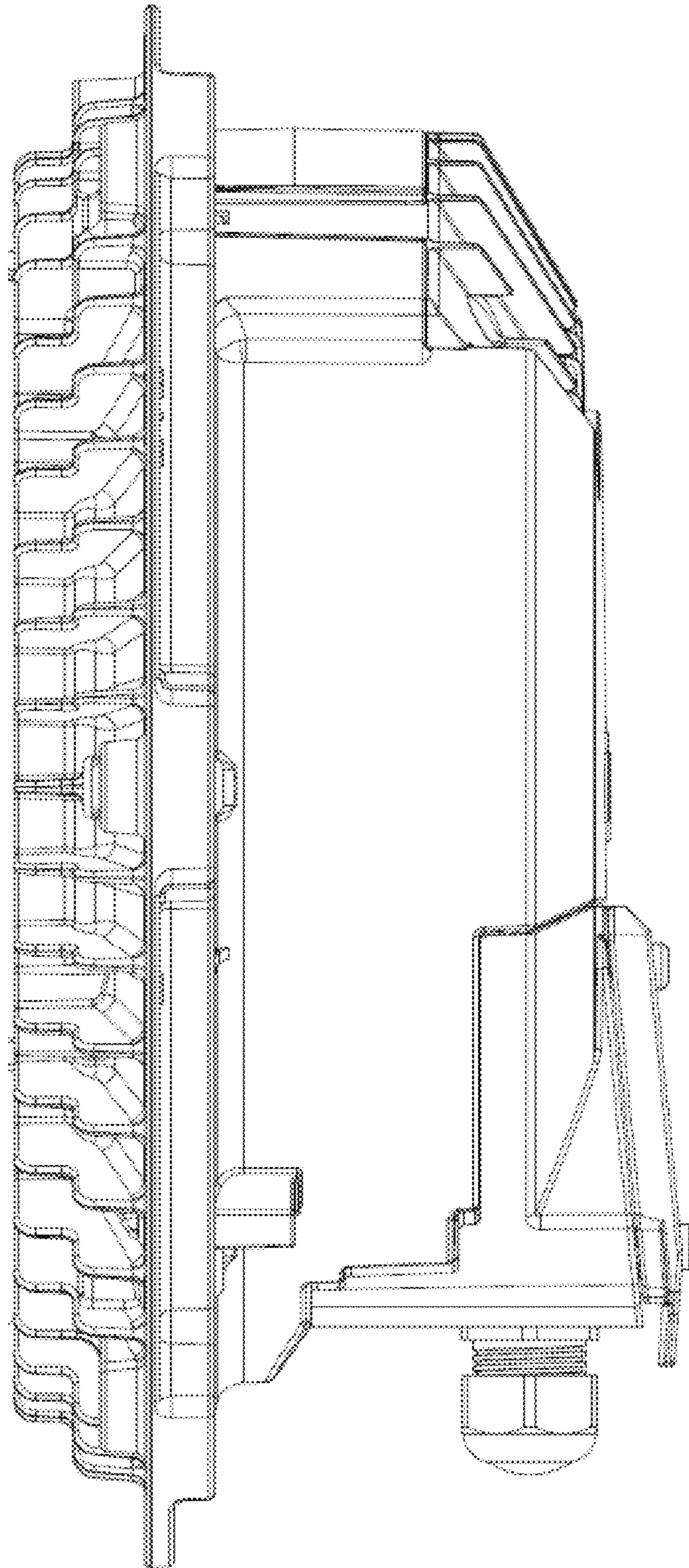


FIG. 4

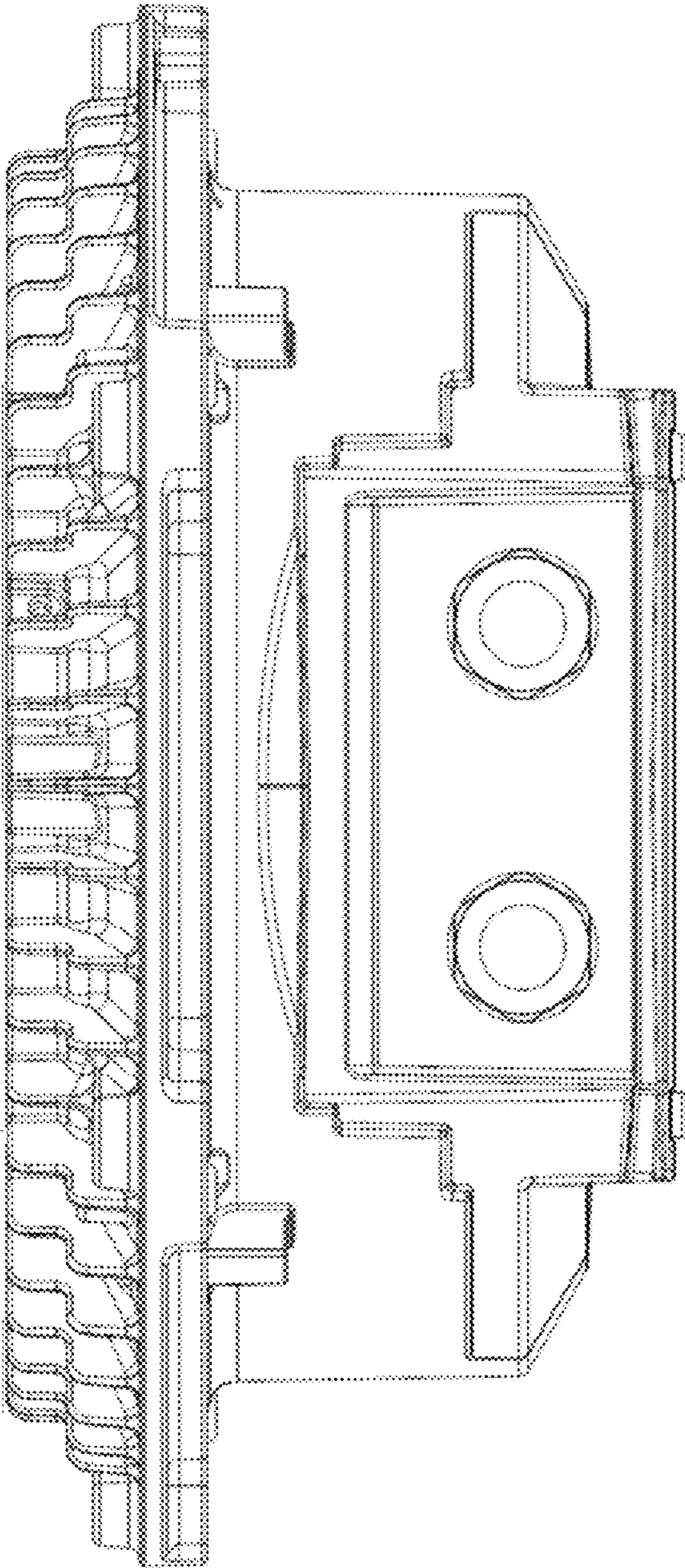


FIG. 5