



US00D881127S

(12) **United States Design Patent** (10) **Patent No.:** **US D881,127 S**
Konno (45) **Date of Patent:** **** *Apr. 14, 2020**

(54) **INDUCTOR**
(71) Applicant: **ALPS ALPINE CO., LTD.**, Tokyo (JP)
(72) Inventor: **Yukio Konno**, Tokyo (JP)
(73) Assignee: **ALPS ALPINE CO., LTD.**, Tokyo (JP)
(*) Notice: This patent is subject to a terminal disclaimer.
(**) Term: **15 Years**

D732,472 S * 6/2015 Laffon D13/110
D734,260 S * 7/2015 Cepress D13/110
D762,173 S * 7/2016 Solomon D13/110
D788,709 S * 6/2017 Yeo D13/137.2
D790,463 S * 6/2017 Lai D13/110
D795,190 S * 8/2017 Tzeng D13/110
D804,412 S * 12/2017 Huang D13/108
D819,566 S * 6/2018 Hung D13/110
D820,207 S * 6/2018 Lemelson D13/110
D820,208 S * 6/2018 Lemelson D13/110
D820,209 S * 6/2018 Lemelson D13/110
D830,307 S * 10/2018 Liu D13/137.2
D845,898 S * 4/2019 Laffon de Mazieres D13/110

(21) Appl. No.: **29/640,147**
(22) Filed: **Mar. 12, 2018**

FOREIGN PATENT DOCUMENTS

JP 1011976 A 5/1998

* cited by examiner

(30) **Foreign Application Priority Data**

Sep. 14, 2017 (JP) 2017-020138

(51) **LOC (12) Cl.** **13-02**

(52) **U.S. Cl.**
USPC **D13/117**

(58) **Field of Classification Search**
USPC D3/215, 218; D13/107, 108, 109, 110,
D13/117, 118, 119, 184; D14/253, 432,
D14/434
CPC H01R 13/24; H01R 13/72; H01R 13/5221;
H01R 13/5816; H01R 13/582; H01R
13/5825; H01R 13/5829; H01R 13/5833;
H01R 13/6275; H01R 13/6589; H01R
13/743; H01R 13/745; H01R 31/065;
H01R 31/06

See application file for complete search history.

Primary Examiner — Susan Bennett Hattan
Assistant Examiner — Suzanne E Tisdell
(74) *Attorney, Agent, or Firm* — Brinks Gilson & Lione

(57) **CLAIM**

I claim the ornamental design for an inductor, as shown and described.

DESCRIPTION

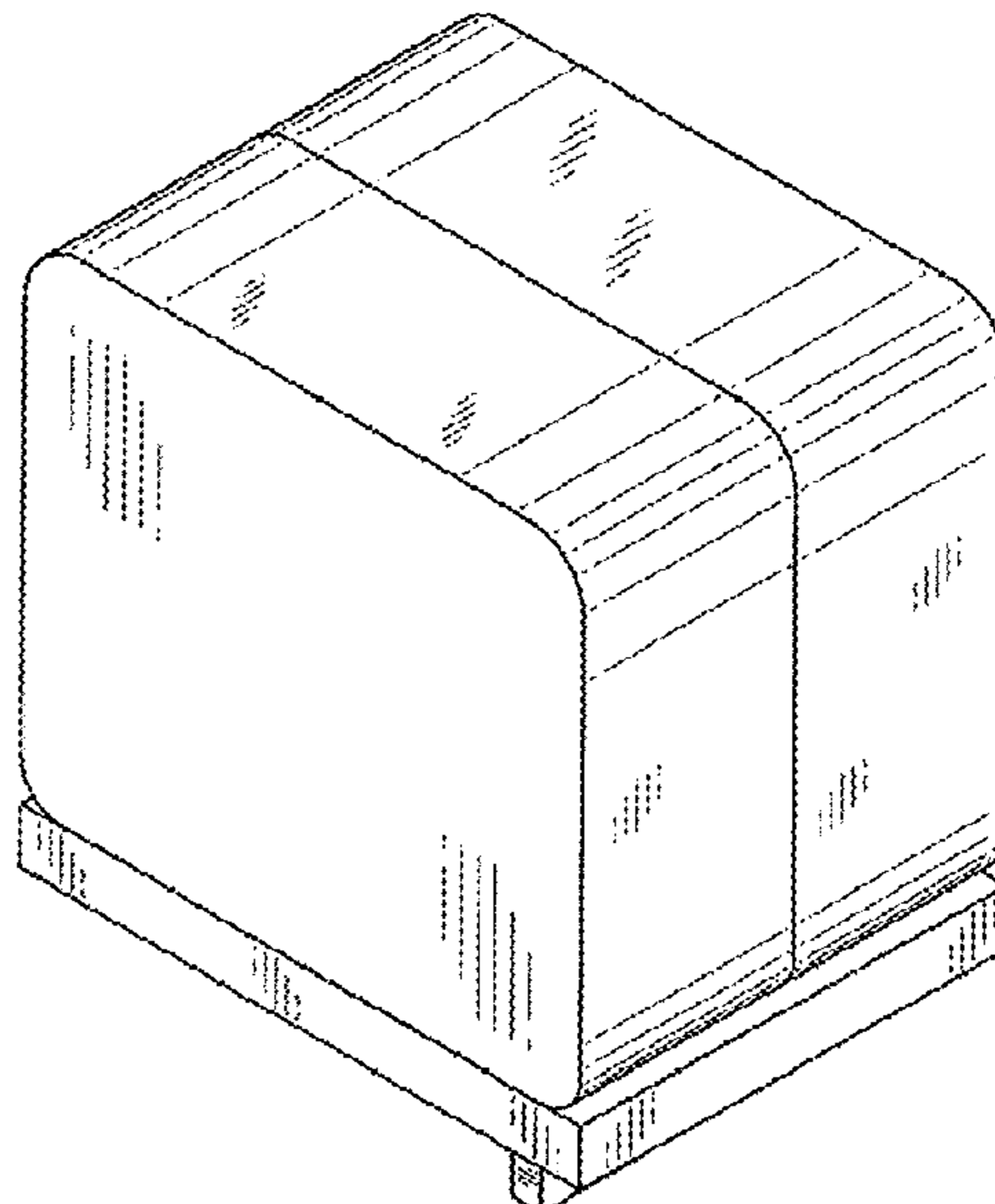
FIG. 1 is a perspective view of an inductor as seen from the upper front side;
FIG. 2 is another perspective view thereof as seen from the lower front side;
FIG. 3 is a front view thereof;
FIG. 4 is a top view thereof;
FIG. 5 is a bottom view thereof;
FIG. 6 is a right side view thereof;
FIG. 7 is a left side view thereof;
FIG. 8 is a sectional view taken along line 8-8 in FIG. 3;
FIG. 9 is a sectional view taken along line 9-9 in FIG. 7; and,
FIG. 10 is a sectional view taken along line 10-10 in FIG. 3.

(56) **References Cited**

U.S. PATENT DOCUMENTS

D383,115 S * 9/1997 Nagele D13/110
D642,524 S * 8/2011 Fitch D13/110
D658,123 S * 4/2012 Andre D13/110

1 Claim, 10 Drawing Sheets



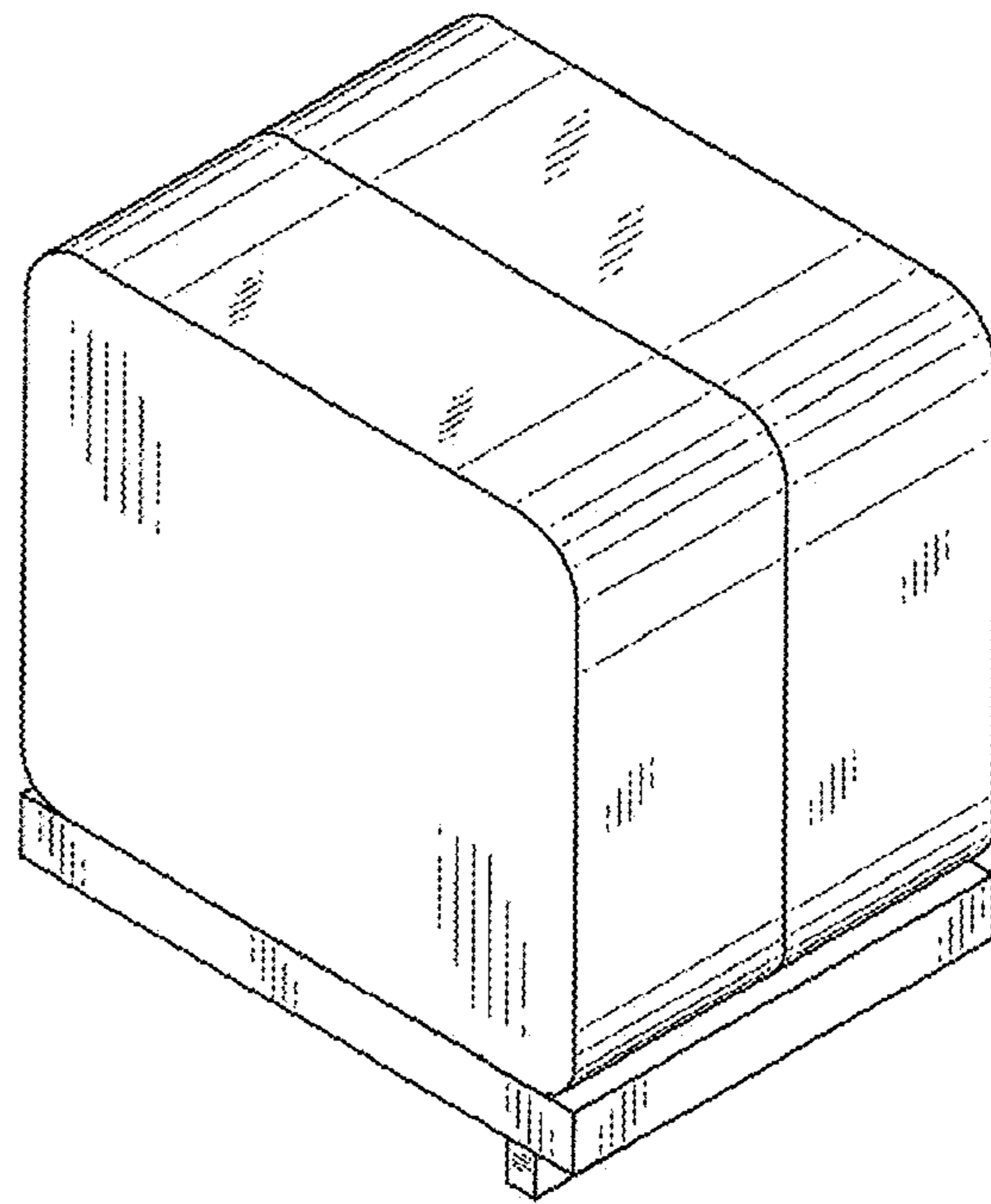


FIG. 1

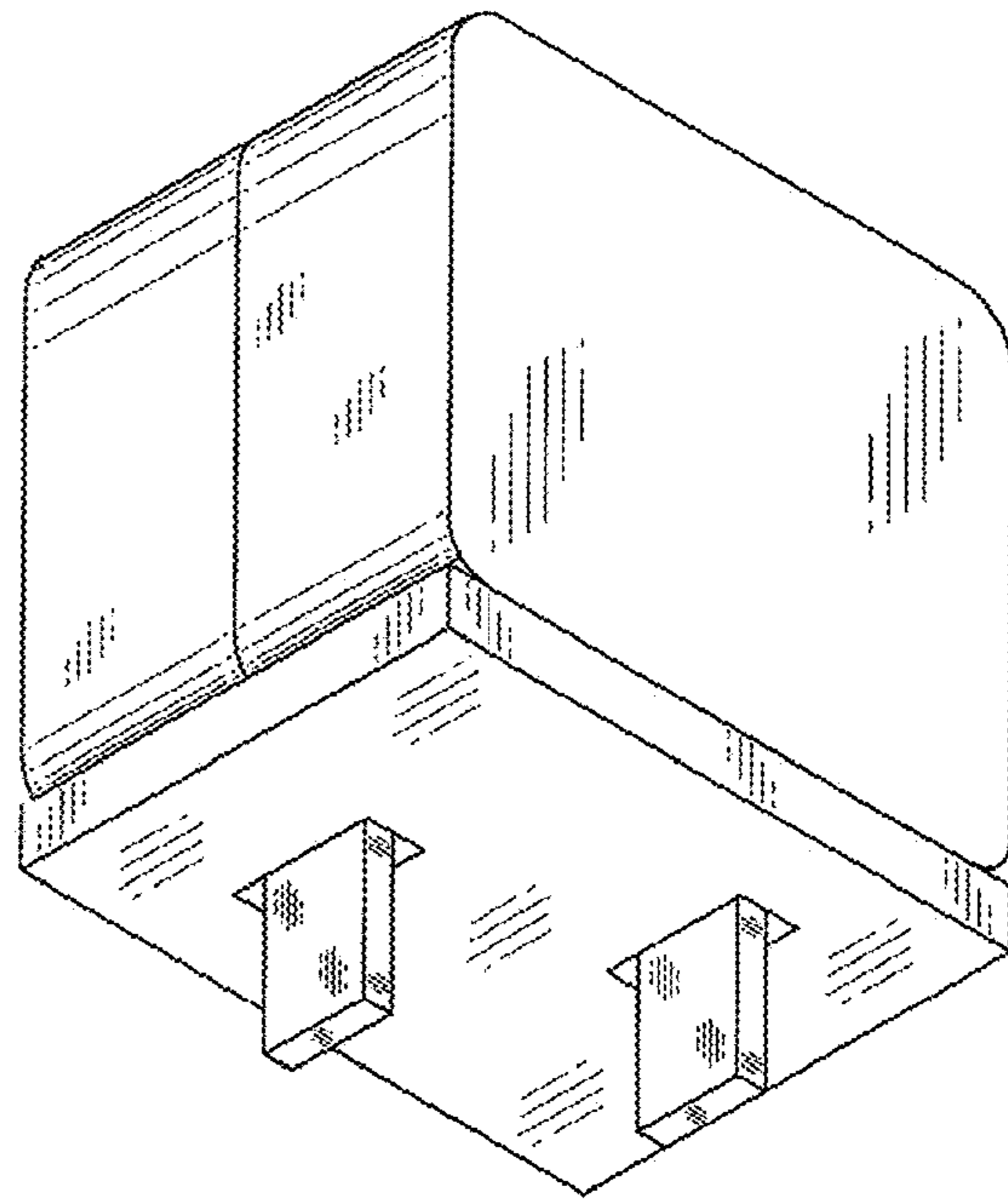


FIG. 2

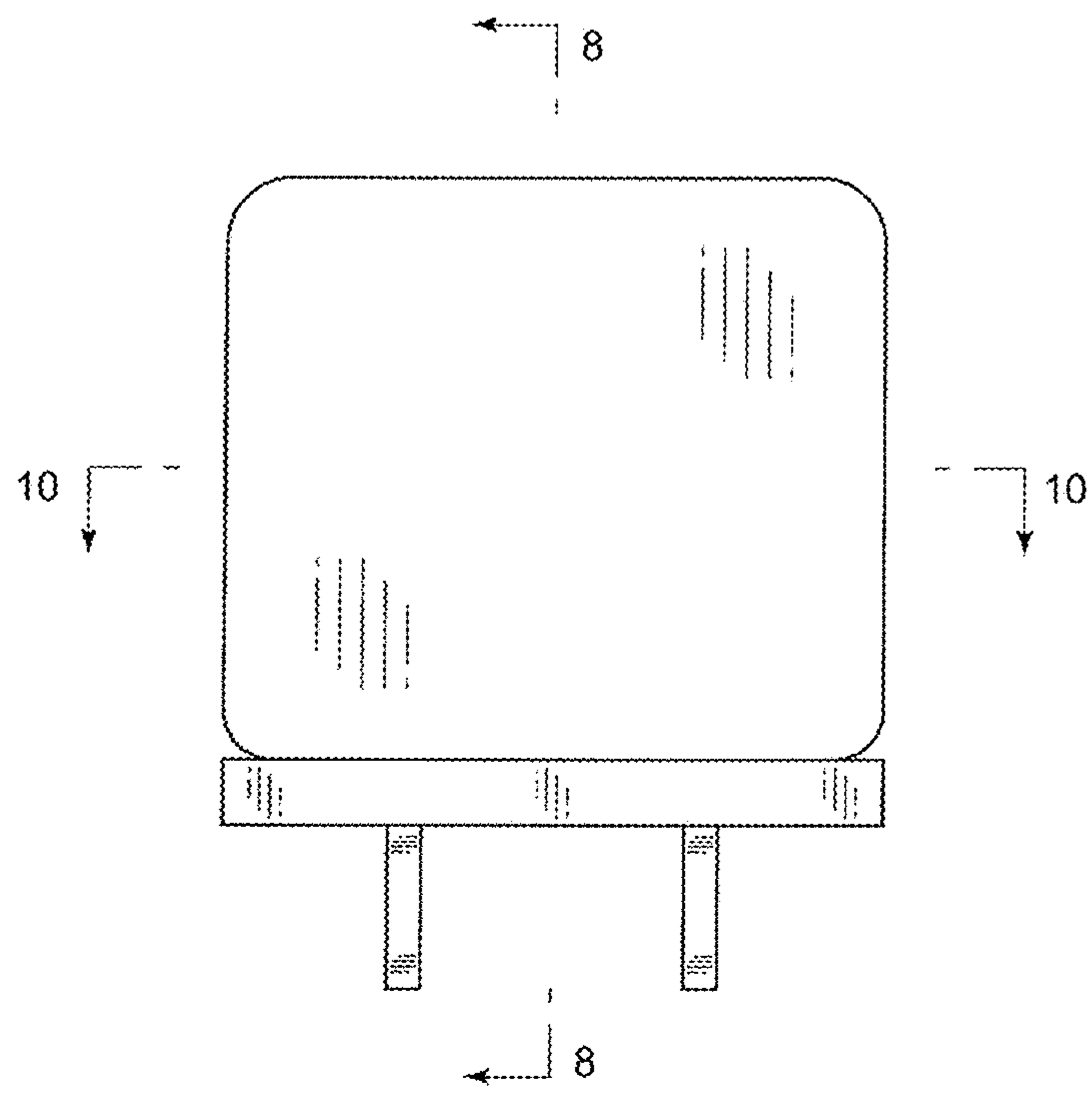


FIG. 3

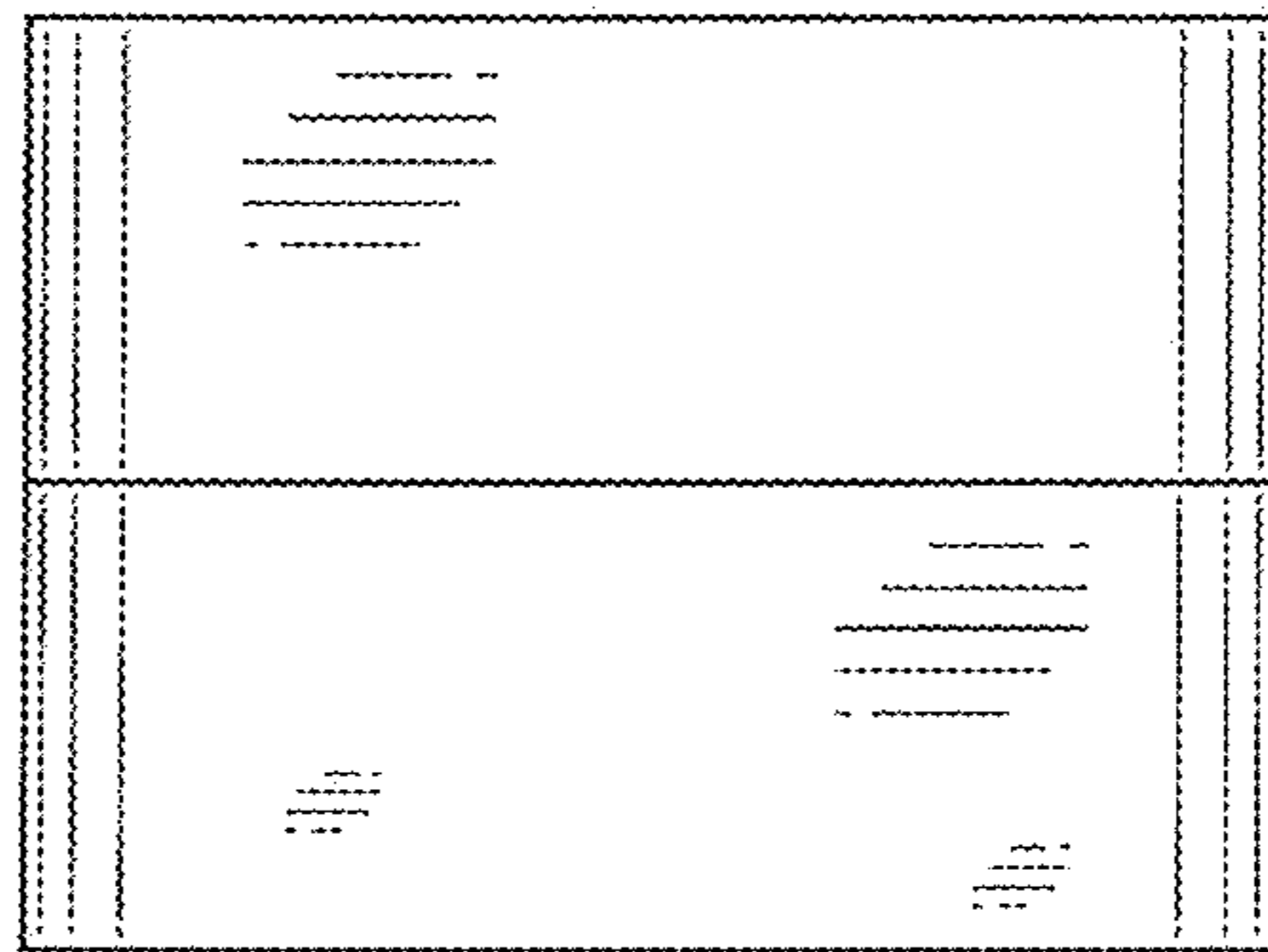


FIG. 4

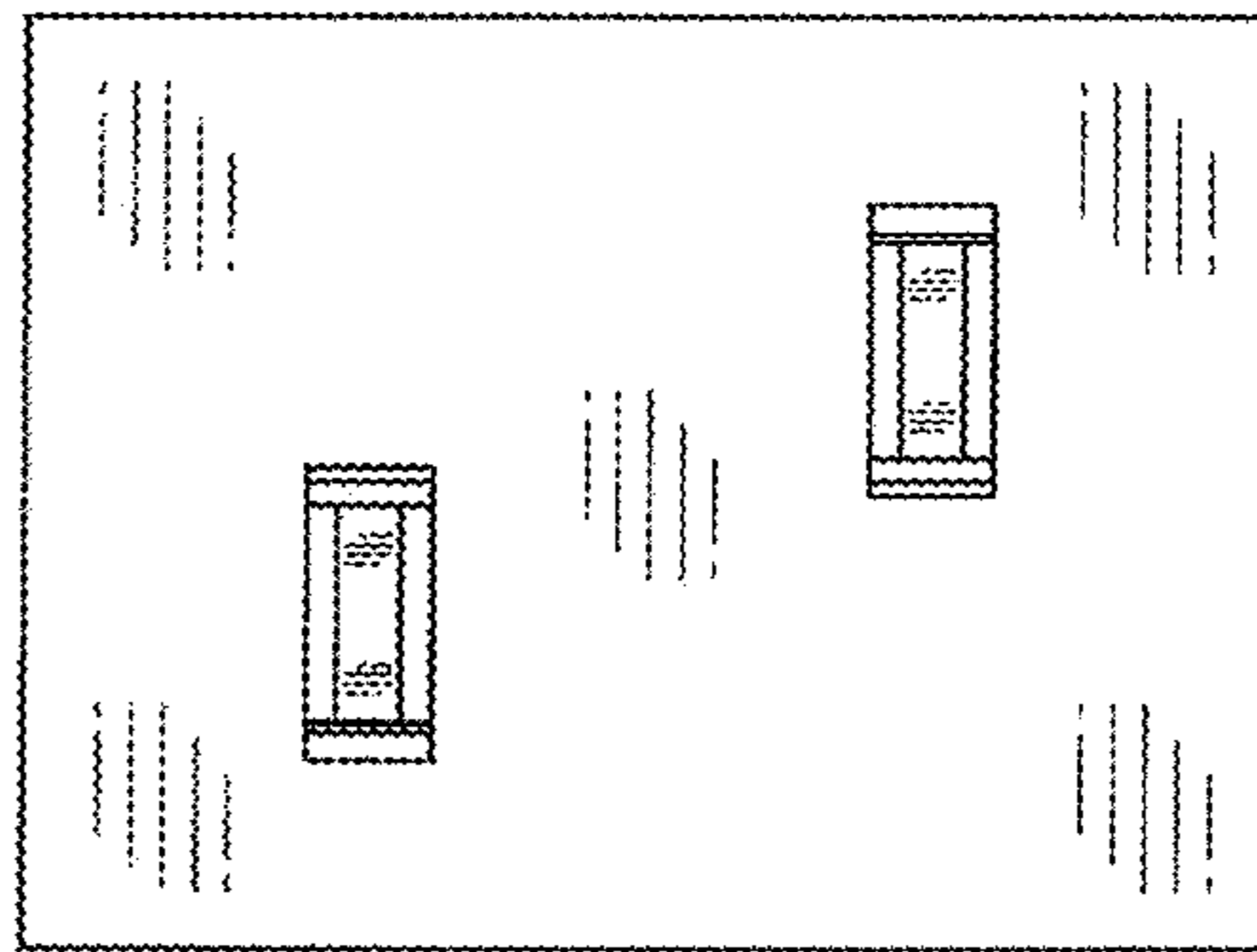


FIG. 5

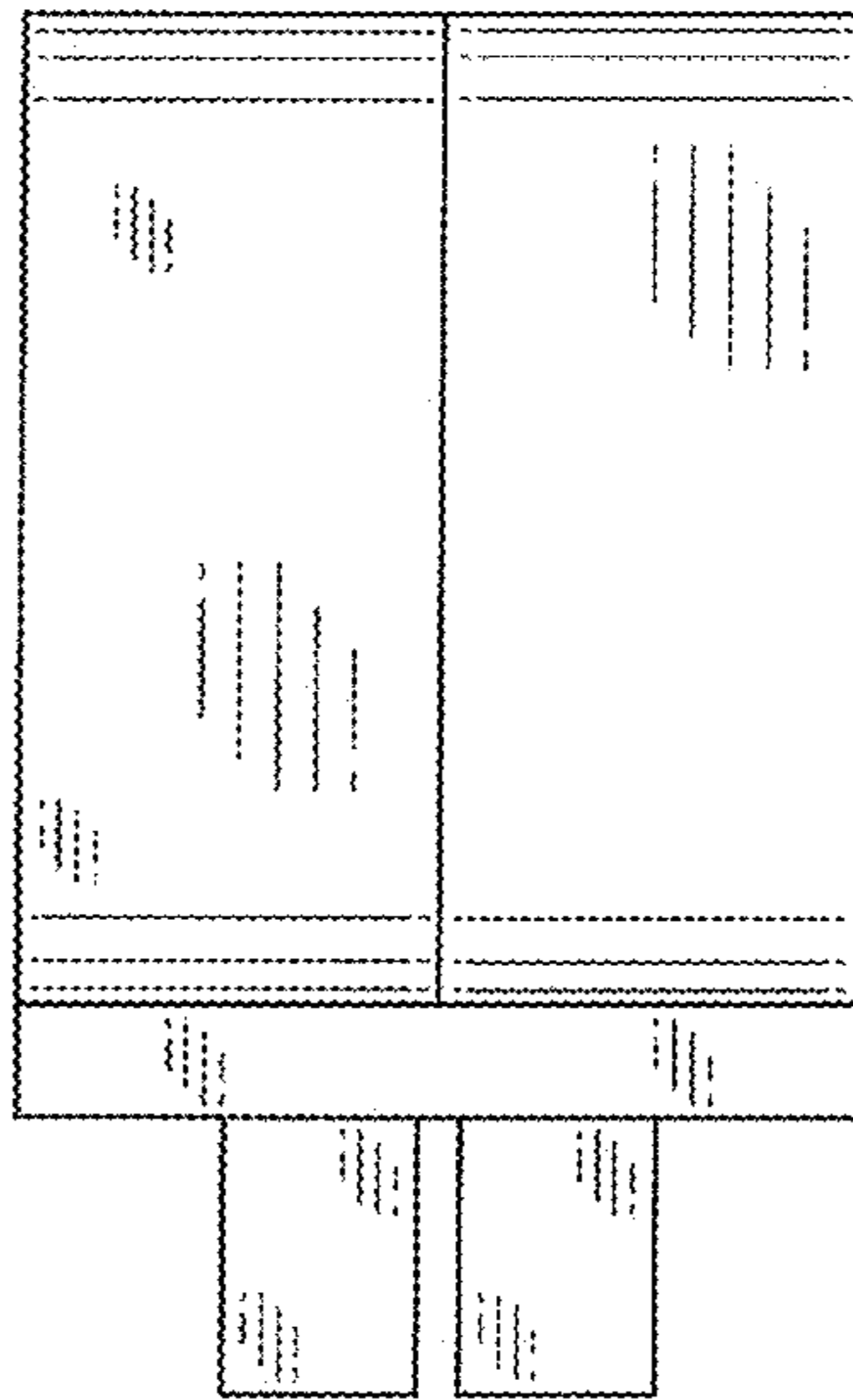


FIG. 6

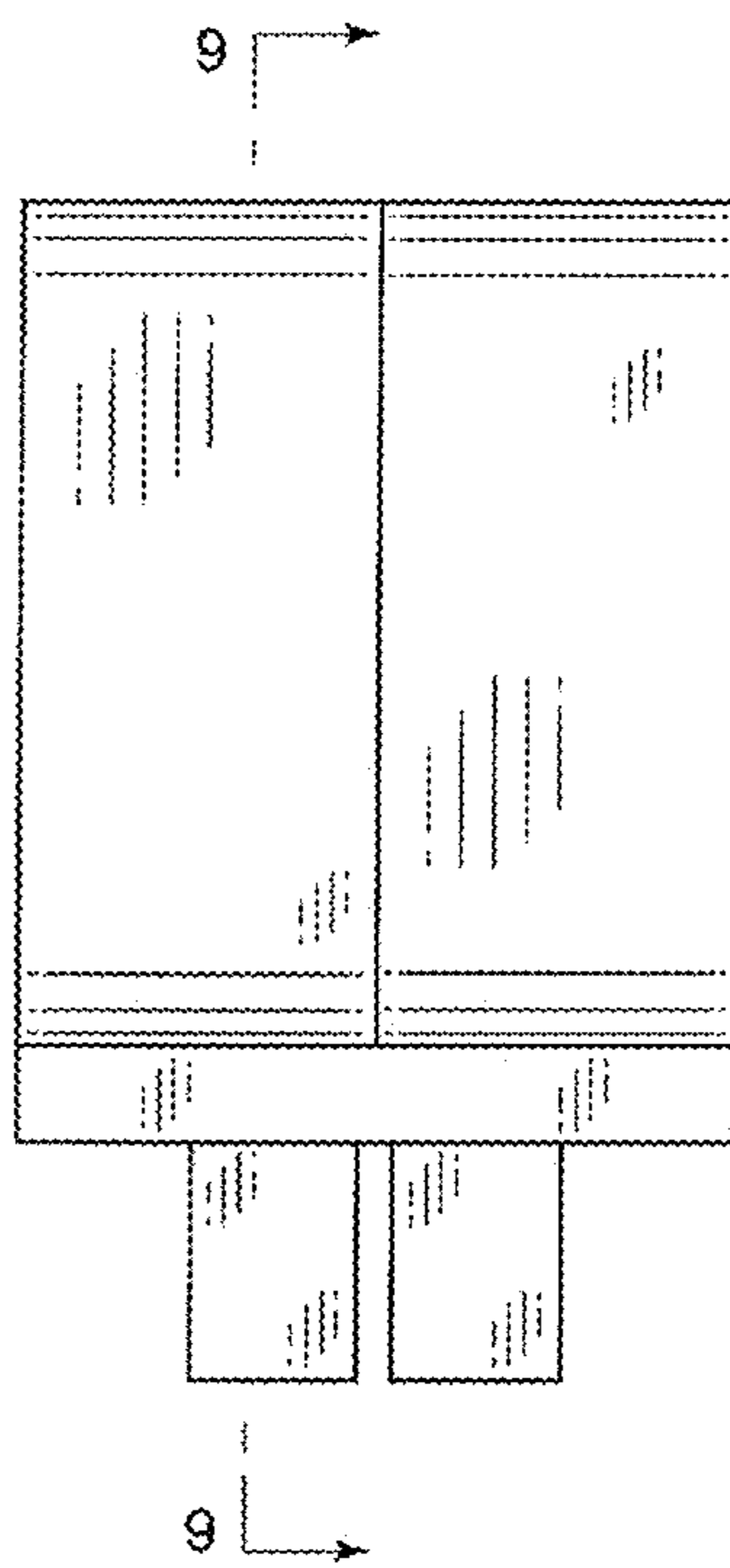


FIG. 7

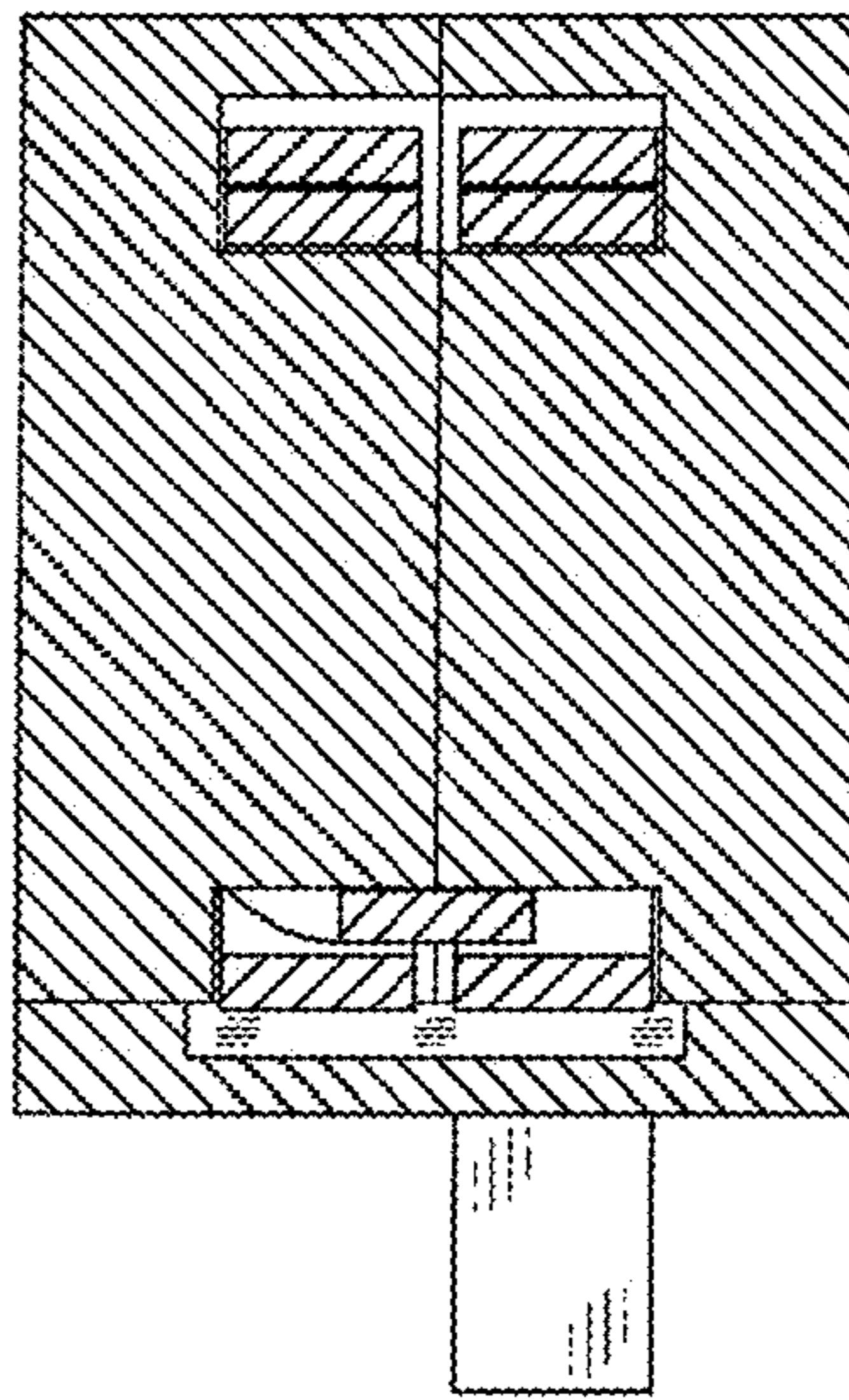


FIG. 8

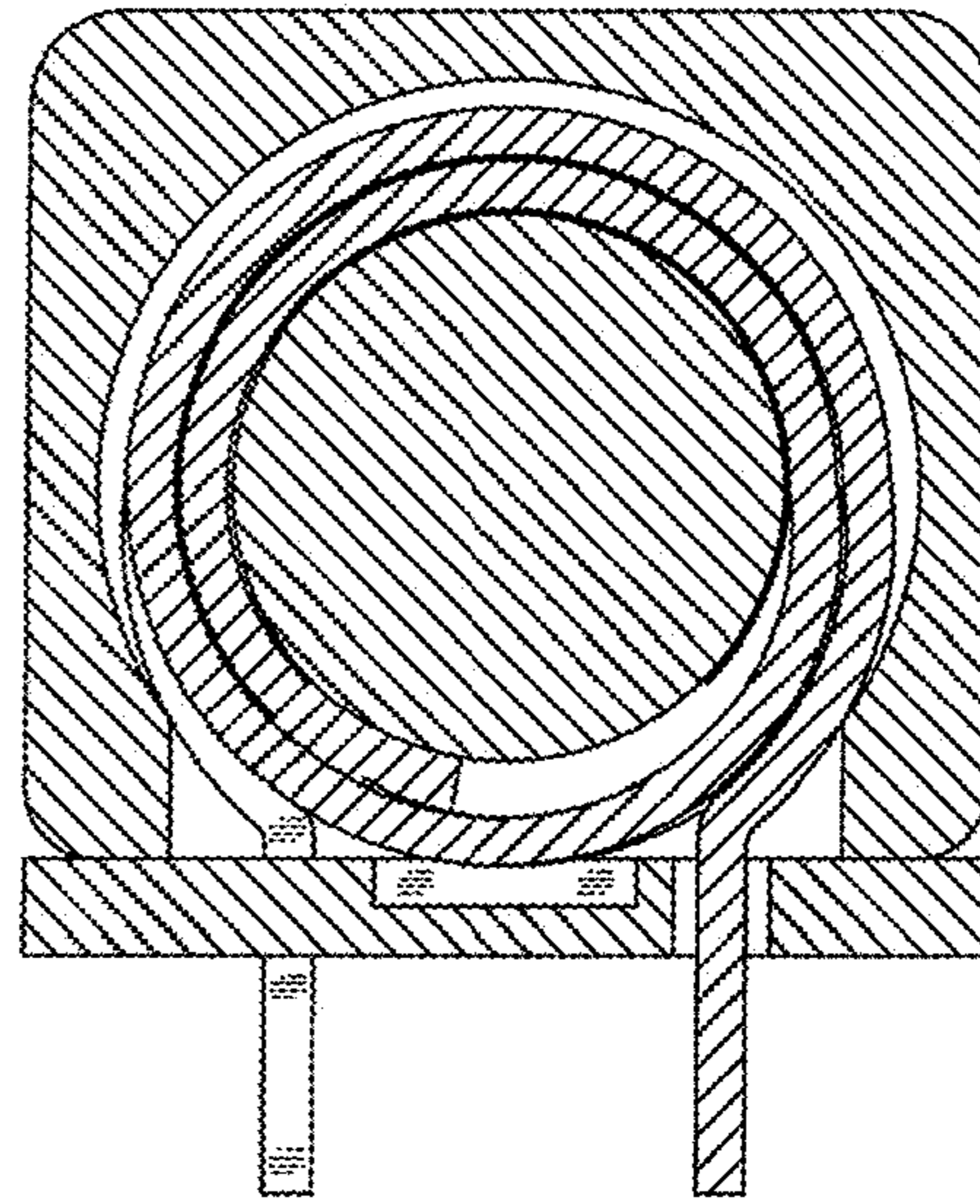


FIG. 9

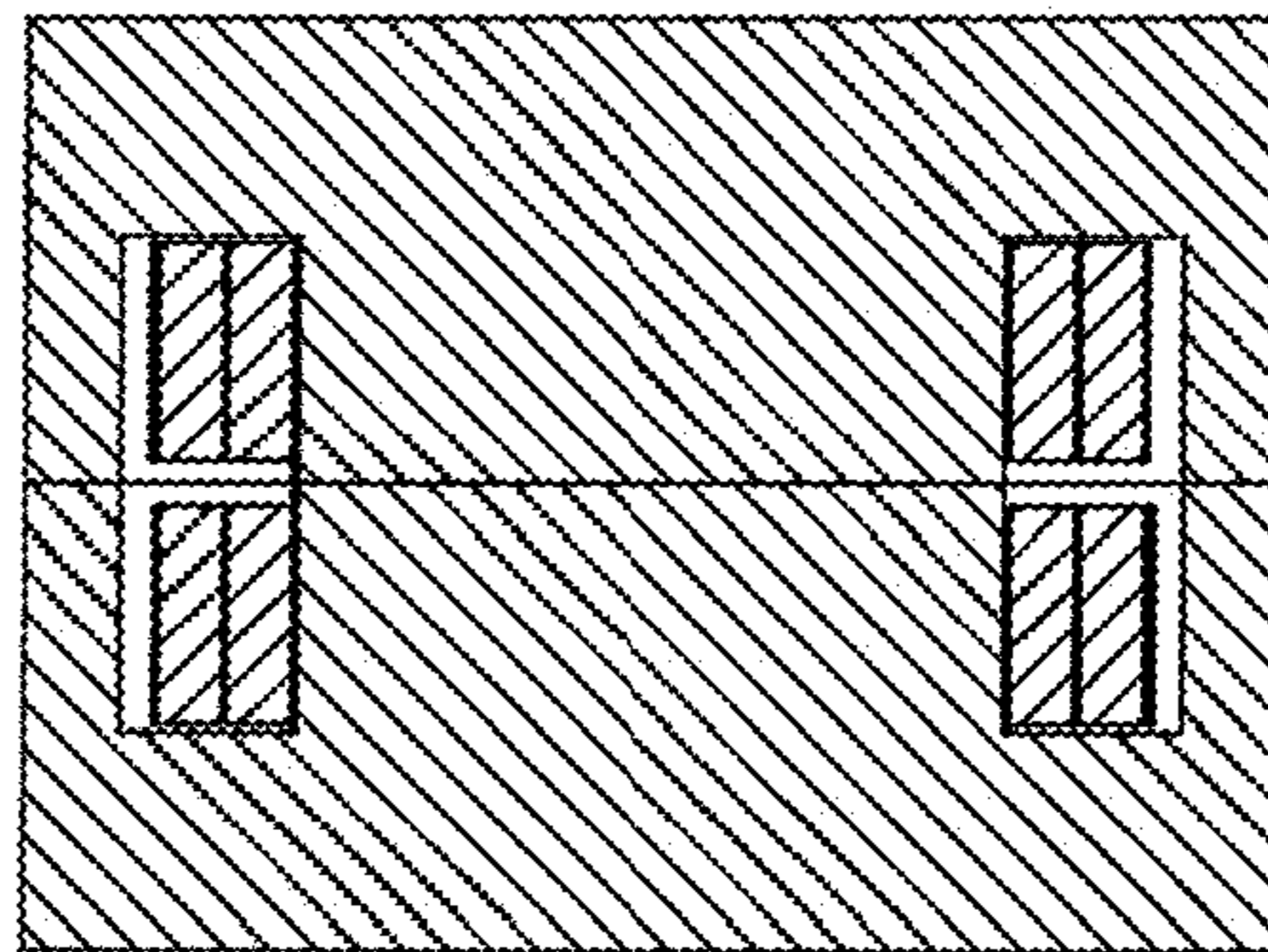


FIG. 10