



US00D881124S

(12) **United States Design Patent** (10) **Patent No.:** **US D881,124 S**  
**Zu** (45) **Date of Patent:** **\*\* Apr. 14, 2020**

(54) **POWER CONTROLLER**  
(71) Applicant: **Shenzhen ChuSe Beauty Management Co., Ltd., Shenzhen (CN)**  
(72) Inventor: **Xupeng Zu, Shenzhen (CN)**  
(73) Assignee: **Shenzhen ChuSe Beauty Management Co., Ltd., Shenzhen (CN)**

(\*\*) Term: **15 Years**

(21) Appl. No.: **29/712,821**

(22) Filed: **Nov. 12, 2019**

(51) **LOC (12) Cl.** ..... **13-03**

(52) **U.S. Cl.**  
USPC ..... **D13/110; D13/162; D24/144**

(58) **Field of Classification Search**  
USPC ..... **D13/110, 162; D14/341, 371, 383, 389; D24/133.144, 146, 186, 232**  
CPC ... **A61B 18/203; A61M 37/0076; A45D 34/04**  
See application file for complete search history.

(56) **References Cited**

**U.S. PATENT DOCUMENTS**

D311,726 S	10/1990	Brown, Jr. et al.	
D340,699 S	10/1993	Chen	
D498,474 S *	11/2004	Leisinger	D14/336
D571,736 S *	6/2008	Copeland	A61M 37/0076
			D13/110
D663,435 S *	7/2012	Eikhoff	D24/186
D673,952 S *	1/2013	Toda	D14/383
D691,096 S *	10/2013	Beroukas	D13/162
8,663,162 B2 *	3/2014	Bunting	A45D 34/04
			604/116
D716,298 S *	10/2014	De La Cruz	D14/371
D720,393 S *	12/2014	Held	D18/4.4
D770,051 S *	10/2016	Eggli	D24/186
D802,134 S *	11/2017	Geißler	D24/144
D805,639 S *	12/2017	Lee	D24/144

D808,530 S	1/2018	Bak et al.	
D822,622 S *	7/2018	Cheng	D13/162
D848,367 S *	5/2019	Chen	D13/110
2009/0125049 A1 *	5/2009	Copeland	A61M 37/0076
			606/186
2011/0112405 A1 *	5/2011	Barthe	A61B 8/4438
			600/459
2017/0021154 A1 *	1/2017	Johansson	A61M 37/0076
2019/0076636 A1 *	3/2019	Lee	A61M 37/0076

**OTHER PUBLICATIONS**

Digital Eyebrow/Lip Tatoo Permanent Makeup Pen Machine ; before Nov. 12, 2019; 1 pg.; [https://www.google.com/search?hl=en&tbm=isch&sxsrf=ACYBGNQVX-QsY0eqoqFj9wCRPbMsufP9wQ%3A1581545593054&source=hp&biw=1536&bih=813&ei=eHhEXvniPO-sytMPzemoqA0&q=shenzhen+chuse+beauty+management+power+controller+before%3A2019-11-12.\\*](https://www.google.com/search?hl=en&tbm=isch&sxsrf=ACYBGNQVX-QsY0eqoqFj9wCRPbMsufP9wQ%3A1581545593054&source=hp&biw=1536&bih=813&ei=eHhEXvniPO-sytMPzemoqA0&q=shenzhen+chuse+beauty+management+power+controller+before%3A2019-11-12.*)

(Continued)

*Primary Examiner* — Selina Sikder  
(74) *Attorney, Agent, or Firm* — ScienBiziP, P.C.

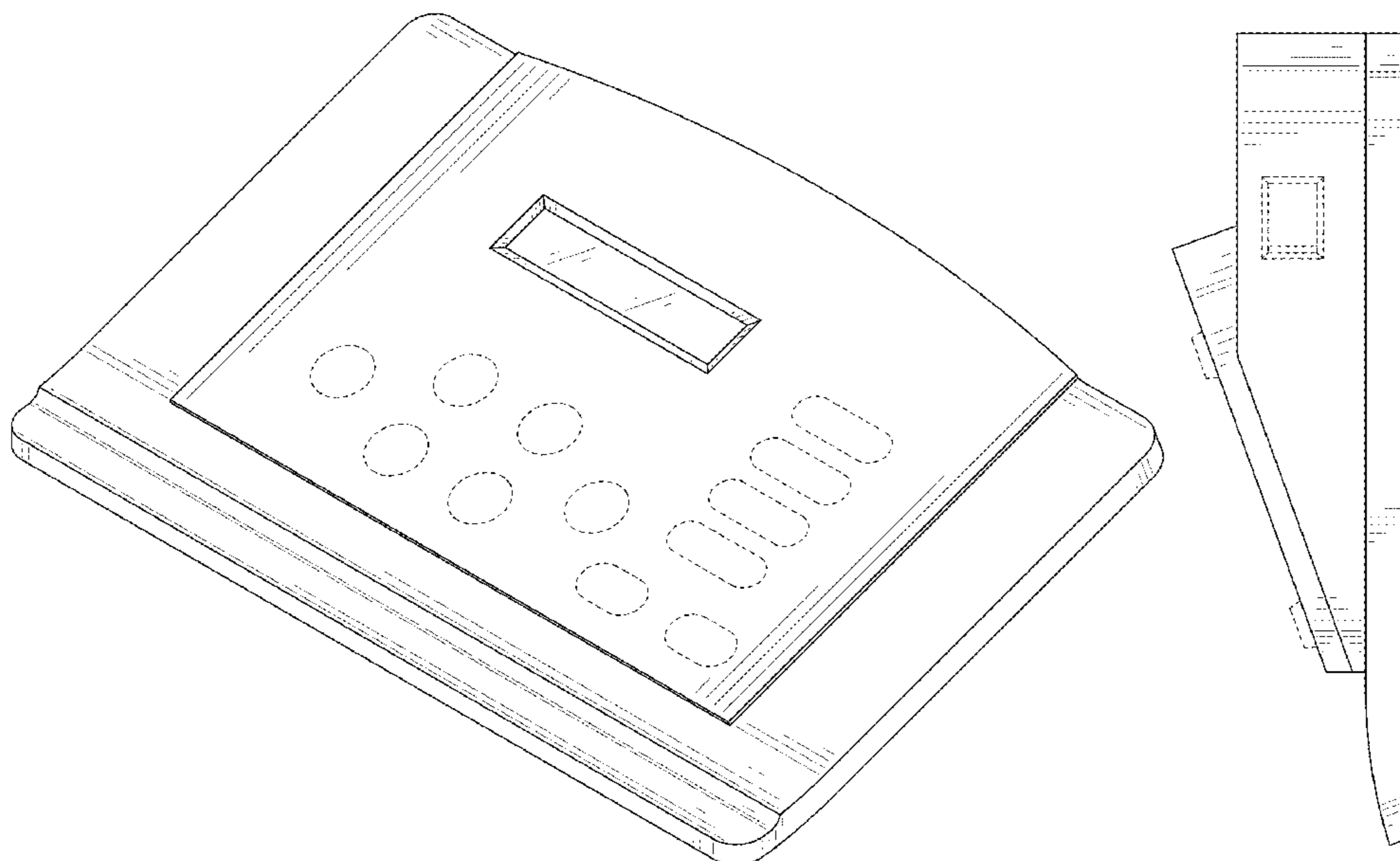
(57) **CLAIM**

The ornamental design for a power controller, as shown and described.

**DESCRIPTION**

FIG. 1 is a top, front, right side perspective view of a power controller, showing my design.  
FIG. 2 is a bottom, rear, left side perspective view thereof.  
FIG. 3 is a front elevation view thereof.  
FIG. 4 is a rear elevation view thereof.  
FIG. 5 is a left side elevation view thereof.  
FIG. 6 is a right side elevation view thereof.  
FIG. 7 is a top plan view thereof; and,  
FIG. 8 is a bottom plan view thereof.  
The details shown in broken lines form no part of the claimed design.

**1 Claim, 8 Drawing Sheets**



(56)

**References Cited**

OTHER PUBLICATIONS

Permanent Makeup Rotary Tattoo Machine; before Nov. 12, 2019; 1 pg. 1; [https://www.google.com/search?hl=en&tbm=isch&sxsrf=ACYBGNQVX-QsY0eqqFj9wCRPbMsufP9wQ%3A1581545593054&source=hp&biw=1536&bih=813&ei=eHhEXvniPO-sytMPzemoqA0&q=shenzhen+chuse+beauty+management+power+controller+before%3A2019-11-12&oq=Shenzhen+Ch.\\*](https://www.google.com/search?hl=en&tbm=isch&sxsrf=ACYBGNQVX-QsY0eqqFj9wCRPbMsufP9wQ%3A1581545593054&source=hp&biw=1536&bih=813&ei=eHhEXvniPO-sytMPzemoqA0&q=shenzhen+chuse+beauty+management+power+controller+before%3A2019-11-12&oq=Shenzhen+Ch.*)

Chuse C5 Pro Tattoo and Permanent Makeup Machine Kit; before Jun. 12, 2019; 1 pg.; [https://www.google.com/search?q=shenzhen+chuse+beauty+management+power+controller+before%3A2019-06-12&tbm=isch&ved=2ahUKEwjQ7LK0iM3nAhUIMt8KHRZABqEQ2-cCegQIABAA&oq=shenzhen+chuse+beauty+management+power+controller+before%3A2019-06-1.\\*](https://www.google.com/search?q=shenzhen+chuse+beauty+management+power+controller+before%3A2019-06-12&tbm=isch&ved=2ahUKEwjQ7LK0iM3nAhUIMt8KHRZABqEQ2-cCegQIABAA&oq=shenzhen+chuse+beauty+management+power+controller+before%3A2019-06-1.*)

\* cited by examiner

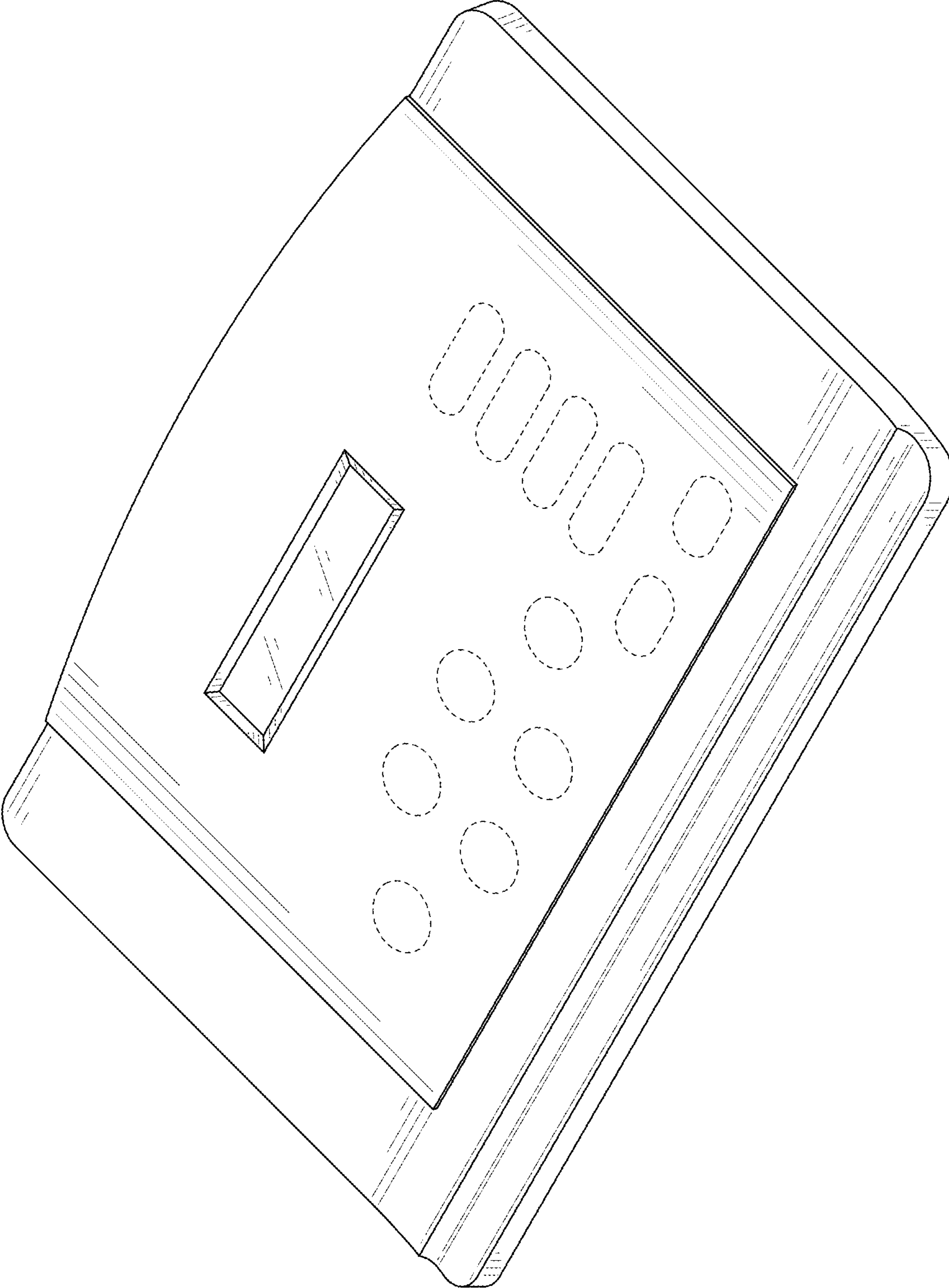


FIG. 1

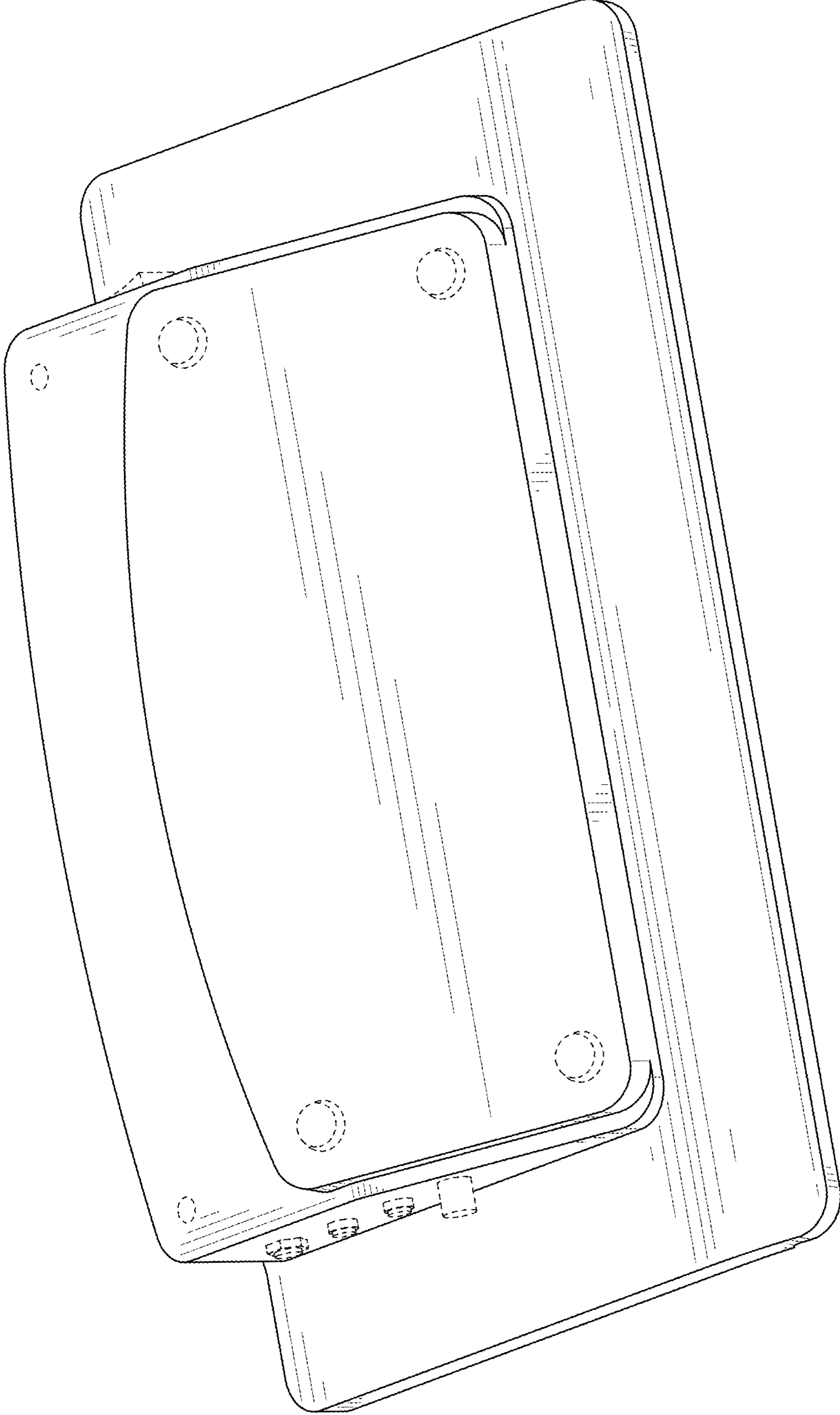


FIG. 2



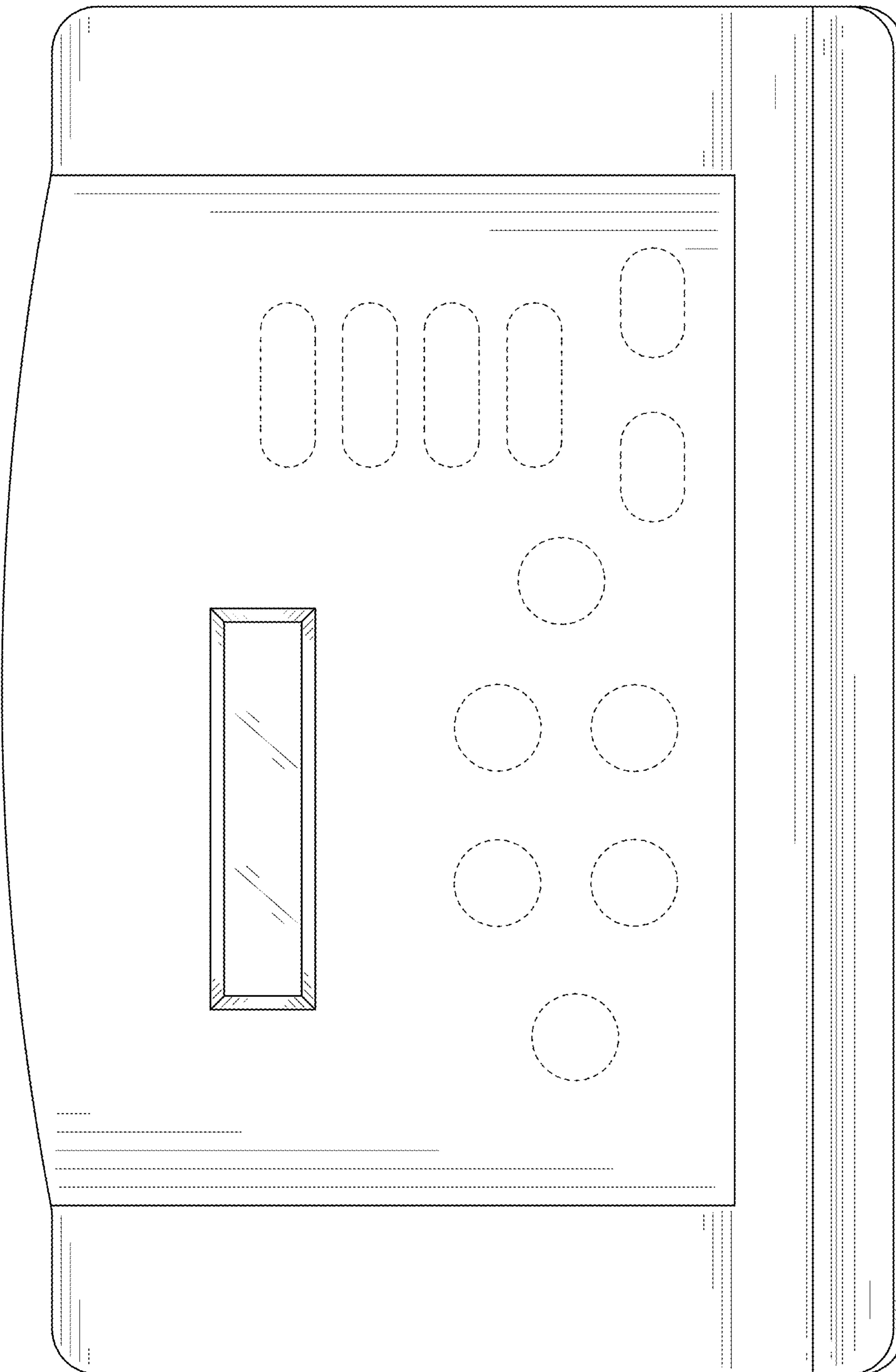


FIG. 3

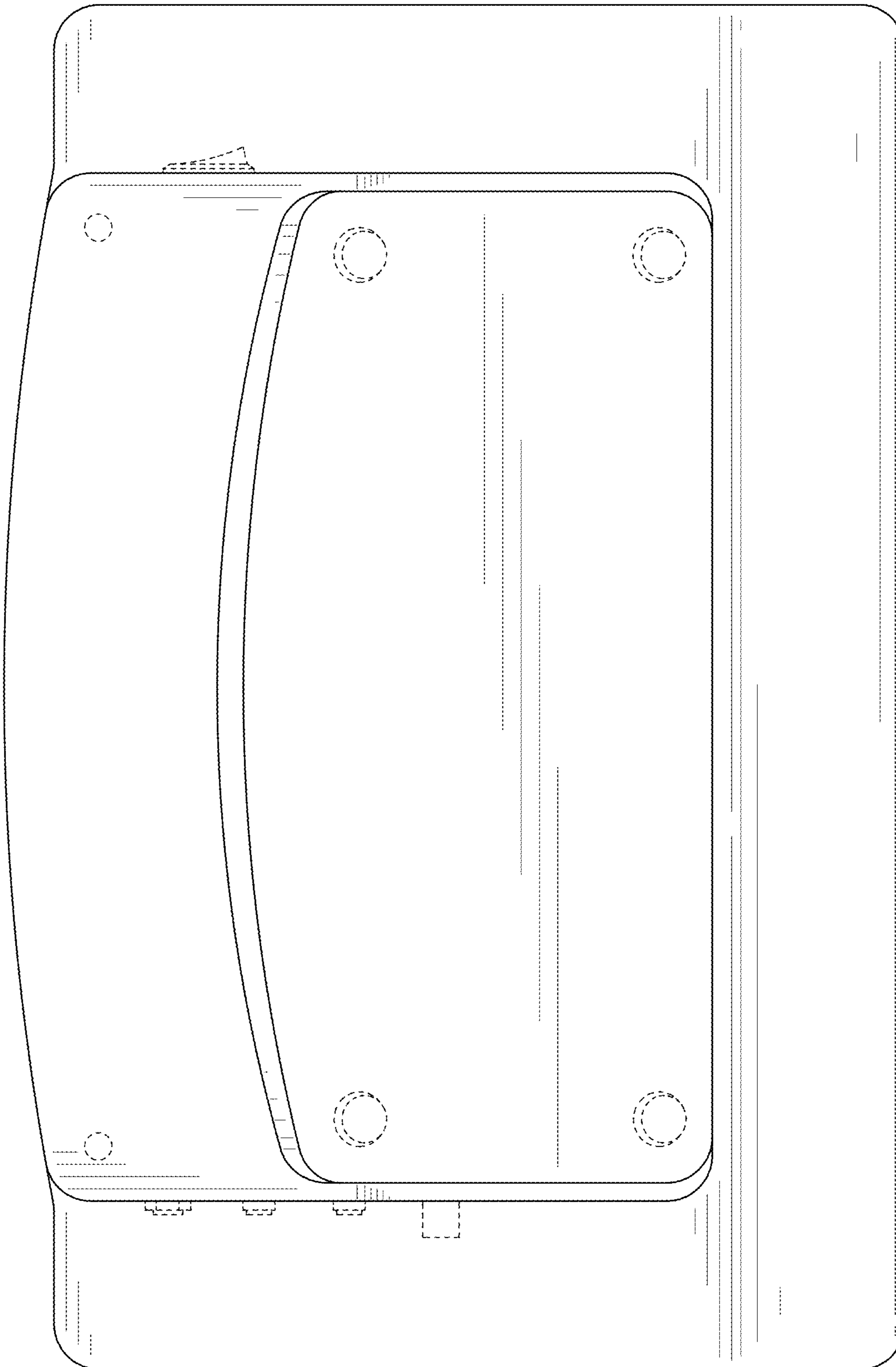


FIG. 4

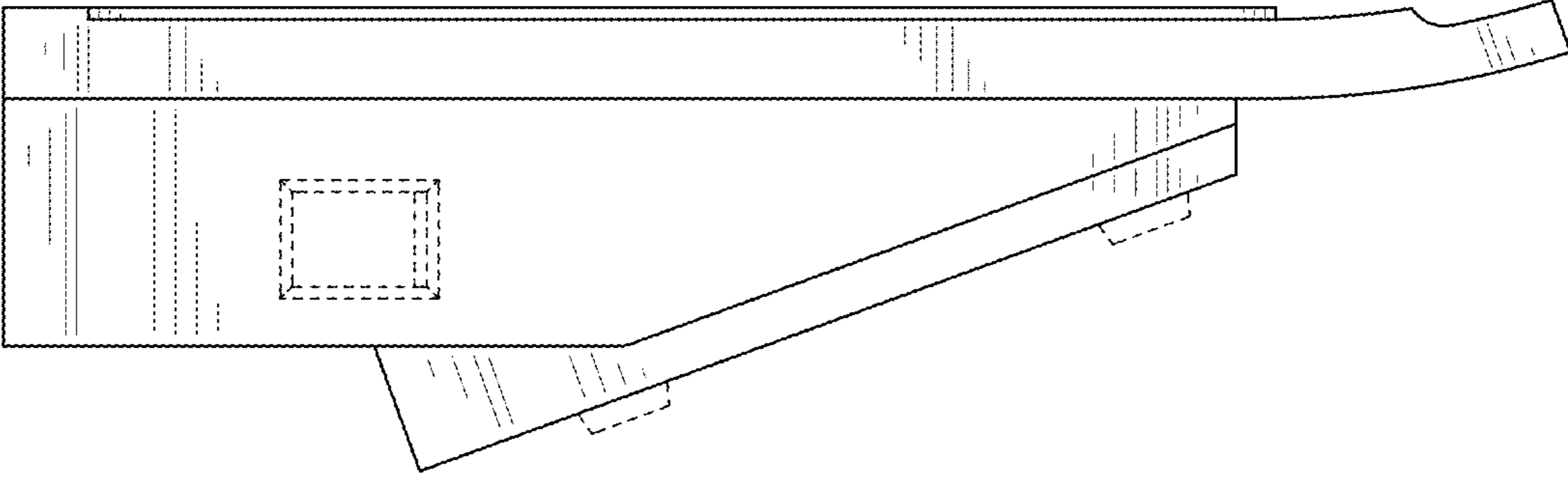


FIG. 5

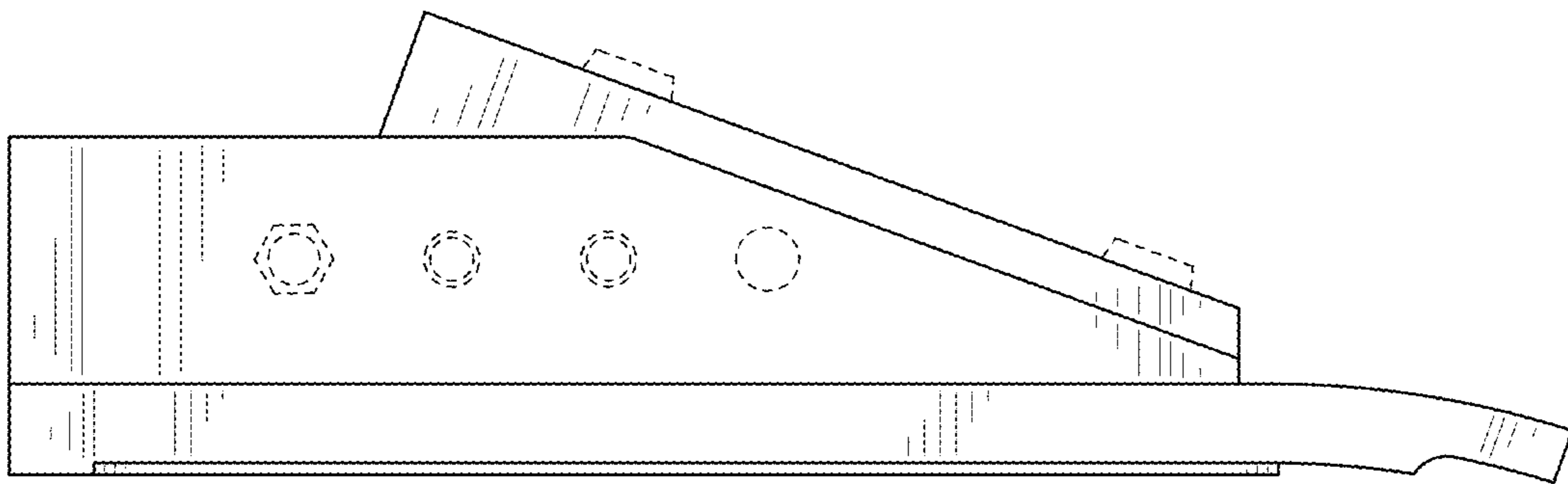


FIG. 6



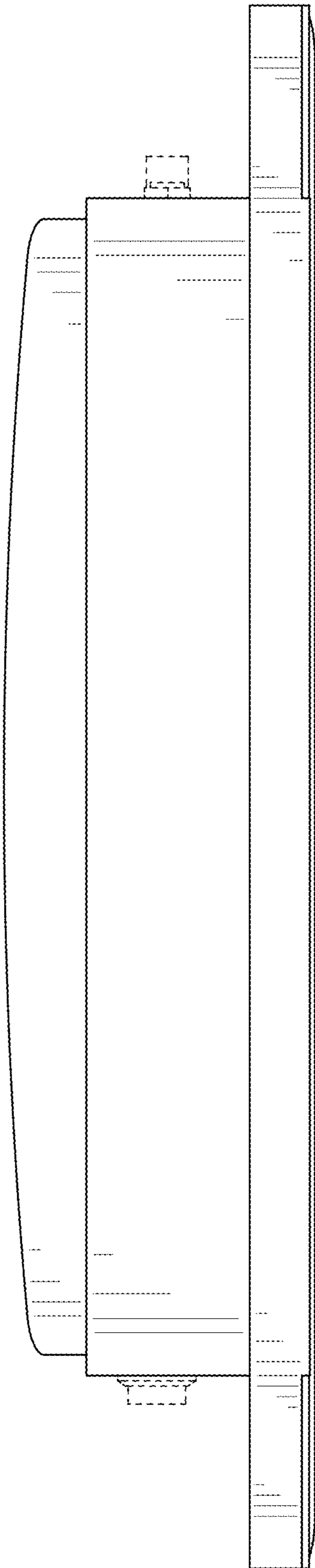


FIG. 7

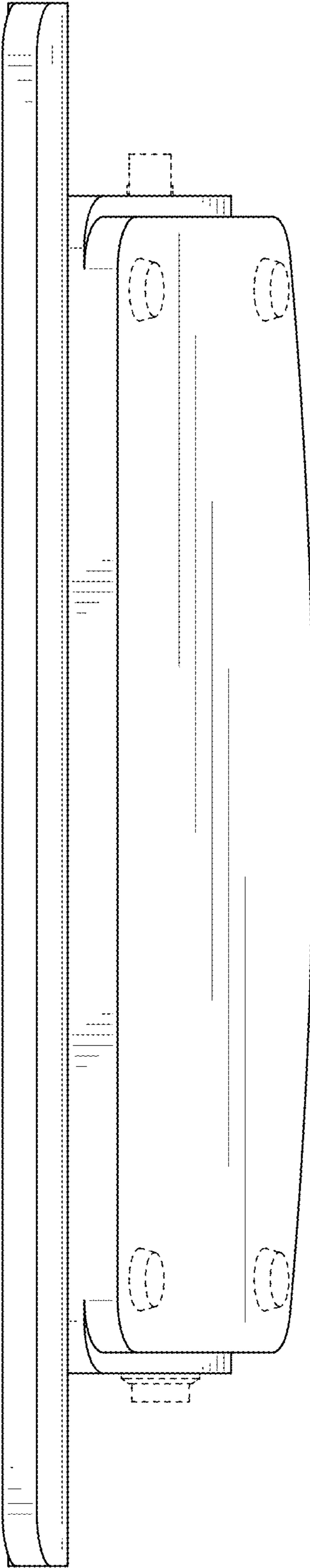


FIG. 8