



US00D881123S

(12) **United States Design Patent**
Zhang et al.

(10) **Patent No.:** **US D881,123 S**
(45) **Date of Patent:** **** Apr. 14, 2020**

(54) **CHARGING BASE**

(71) Applicants: **Fei Zhang**, Shenzhen (CN); **Songzhen Li**, Taihe (CN)

(72) Inventors: **Fei Zhang**, Shenzhen (CN); **Songzhen Li**, Taihe (CN)

(**) Term: **15 Years**

(21) Appl. No.: **29/710,520**

(22) Filed: **Oct. 24, 2019**

(51) **LOC (12) Cl.** **13-02**

(52) **U.S. Cl.**
USPC **D13/108**

(58) **Field of Classification Search**
USPC D13/107-108, 110, 118, 184; D14/251, D14/253, 432, 434
CPC .. H02J 50/00; H02J 50/10; H02J 50/12; H02J 50/50; H02J 50/80; H02J 7/025; H02J 5/00; H02J 5/005
See application file for complete search history.

(56) **References Cited**

U.S. PATENT DOCUMENTS

D609,637 S	2/2010	Chu et al.	
D729,159 S	5/2015	Feustel et al.	
D783,524 S	4/2017	Ju	
D813,805 S *	3/2018	Zhong	D13/108
D814,413 S *	4/2018	Zhong	D13/108
D826,851 S *	8/2018	Wang	D13/108

D839,190 S *	1/2019	Xie	D13/108
D852,134 S *	6/2019	Mei	D13/108
D852,135 S *	6/2019	Mei	D13/108
D858,437 S *	9/2019	Lu	D13/108
D872,726 S *	1/2020	Lindof	D14/253
D873,216 S *	1/2020	Zhang	D13/108
2016/0261139 A1 *	9/2016	Kidakarn	H02J 7/025

* cited by examiner

Primary Examiner — Rosemary K Tarcza

(74) *Attorney, Agent, or Firm* — HYIP

(57) **CLAIM**

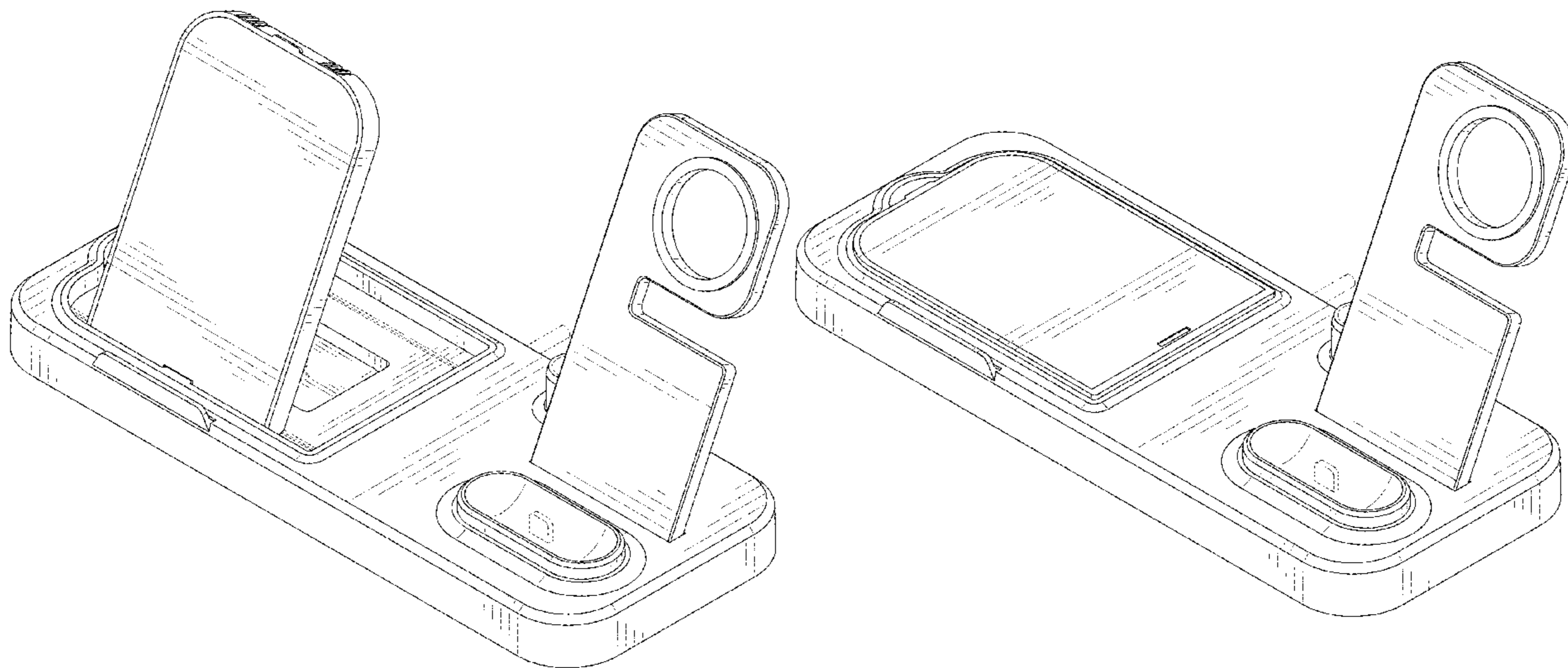
The ornamental design for a charging base, as shown and described.

DESCRIPTION

FIG. 1 is a first perspective view of a charging base showing my new design;
FIG. 2 is a second perspective view thereof;
FIG. 3 is a front view thereof;
FIG. 4 is a back view thereof;
FIG. 5 is a left side view thereof;
FIG. 6 is a right side view thereof;
FIG. 7 is a top view thereof;
FIG. 8 is a bottom view thereof; and,
FIG. 9 is a perspective view of another state of the charging base thereof.

The broken lines shown in the drawings depict portions of the charging base in which the design is embodied that form no part of the claimed design.

1 Claim, 9 Drawing Sheets



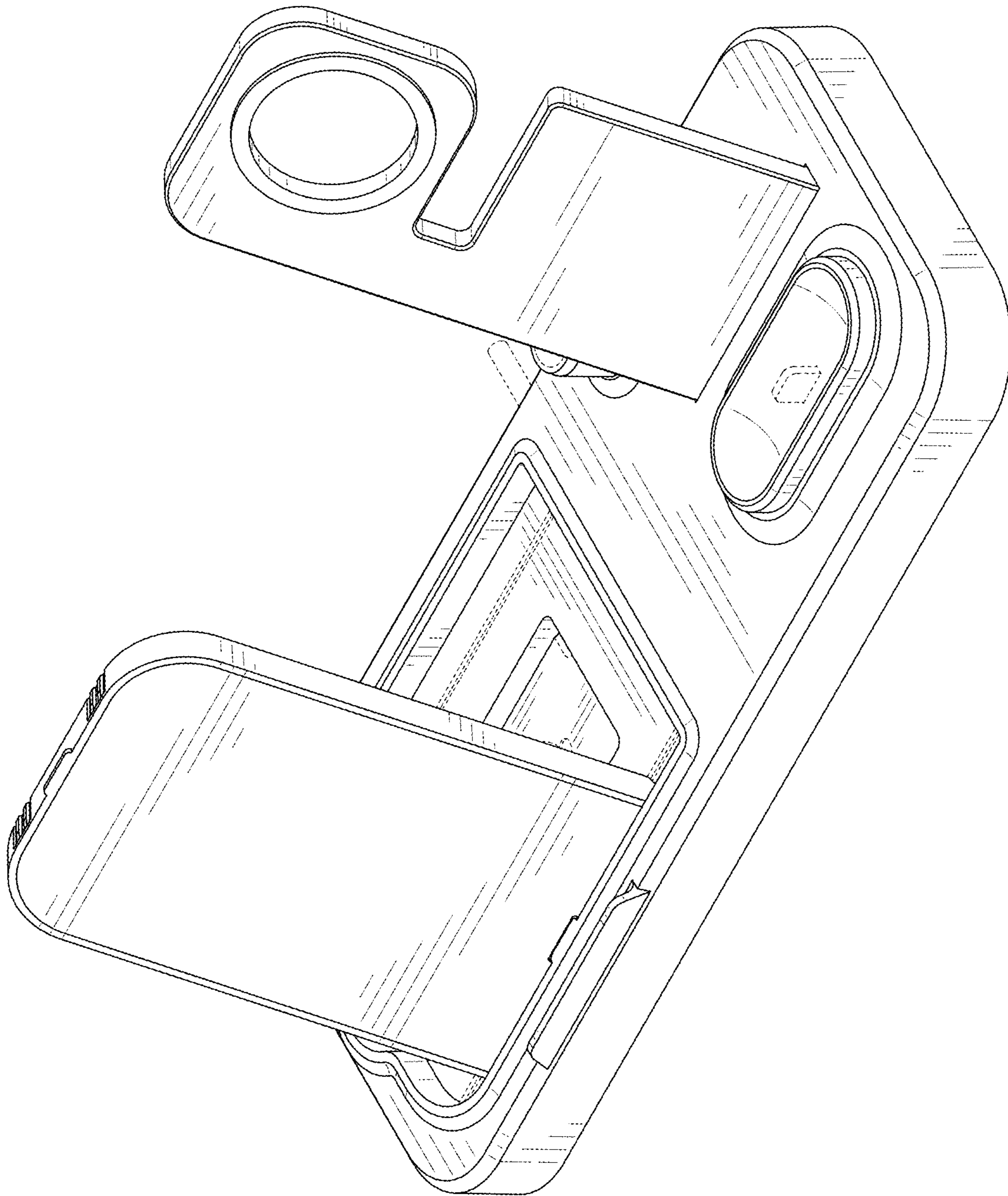


FIG. 1

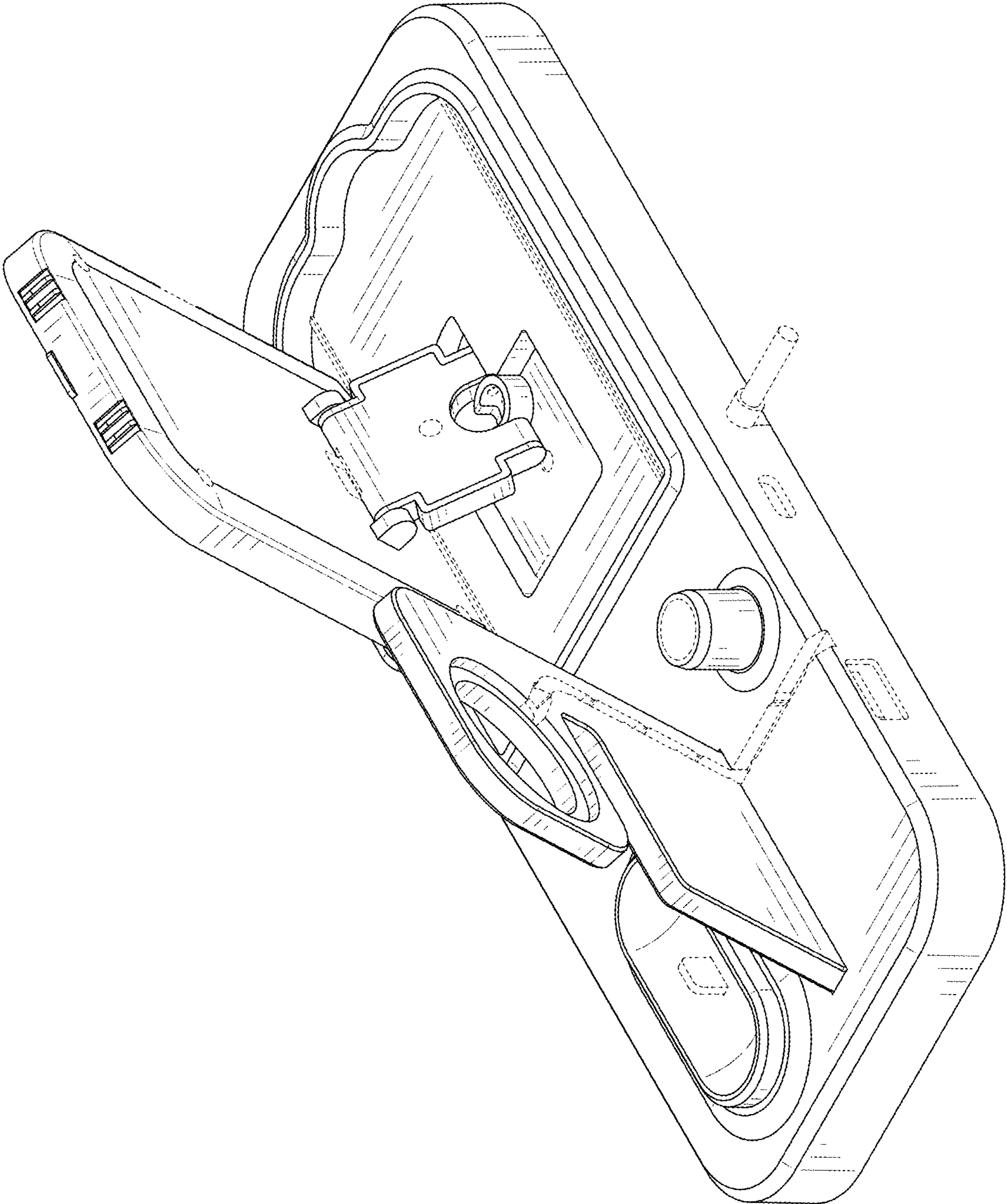


FIG. 2

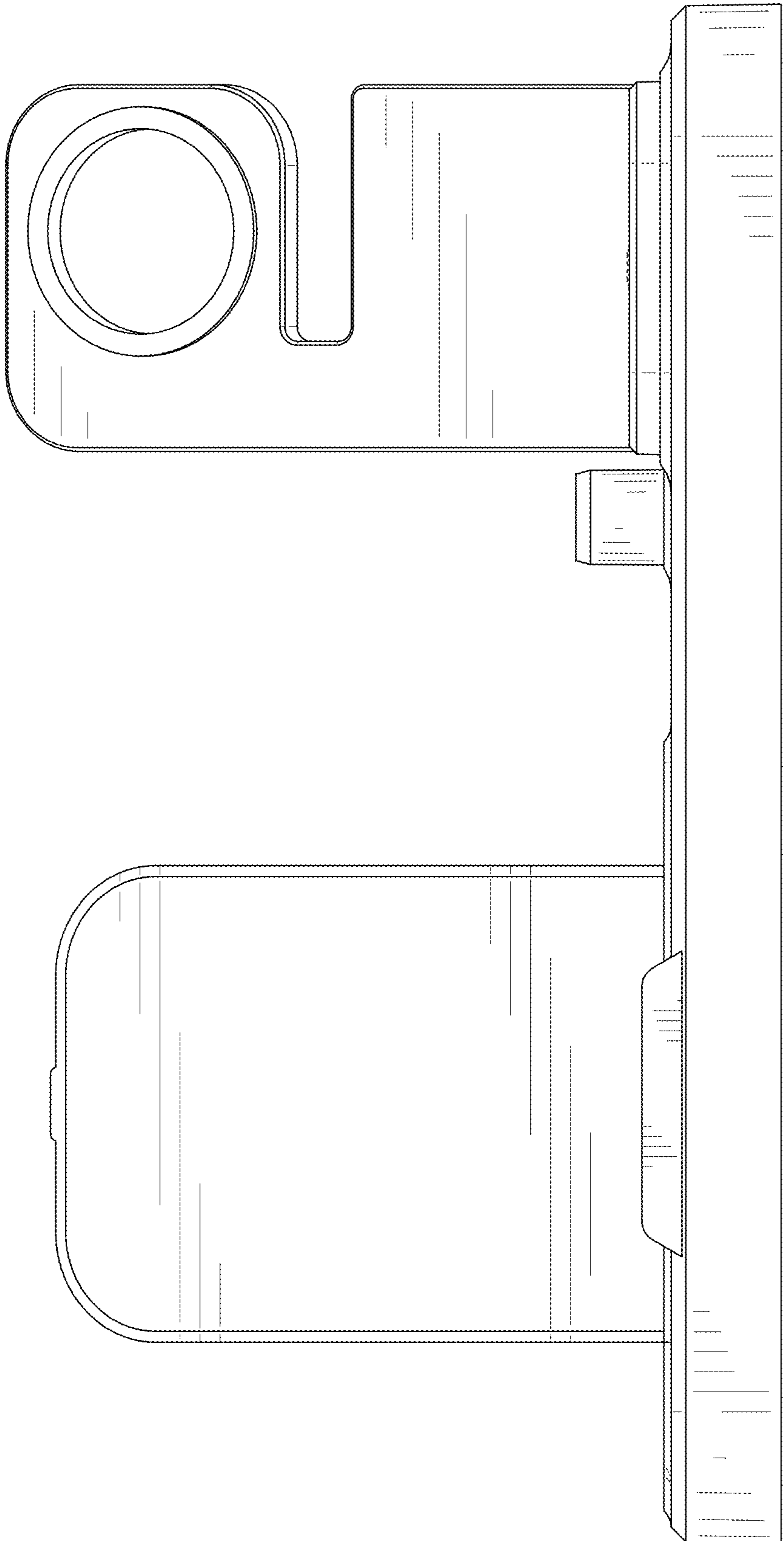


FIG. 3

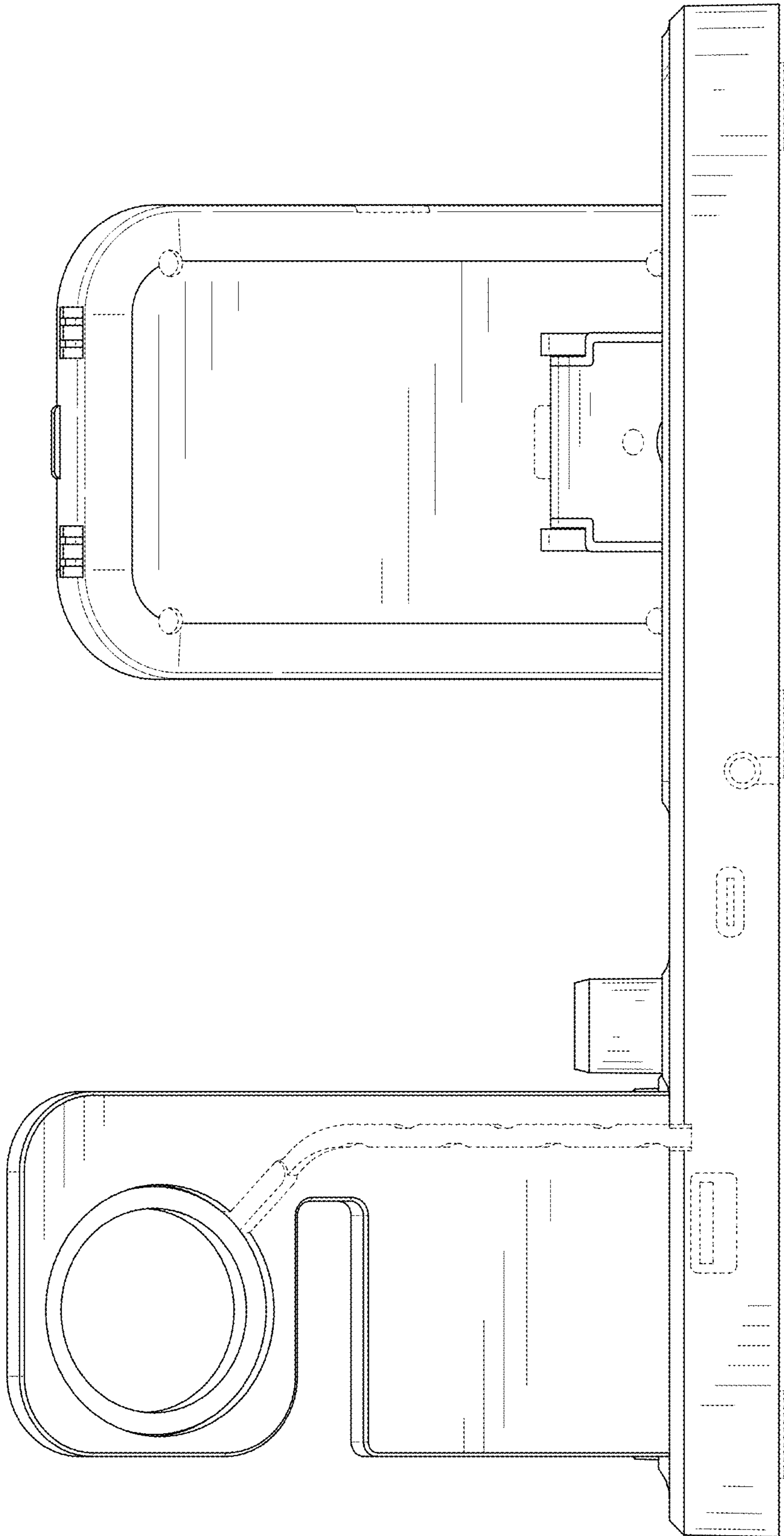


FIG. 4

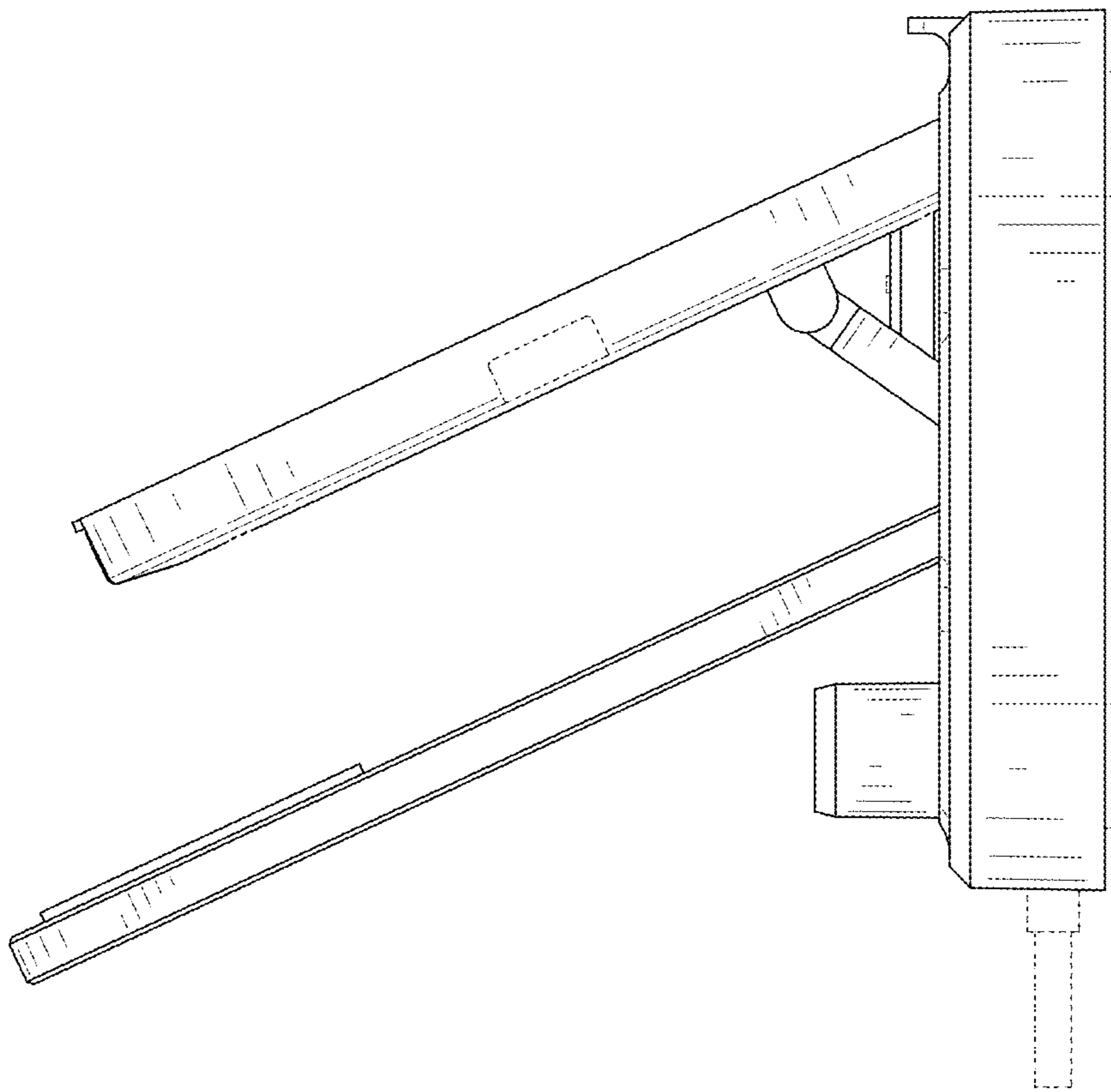


FIG. 5

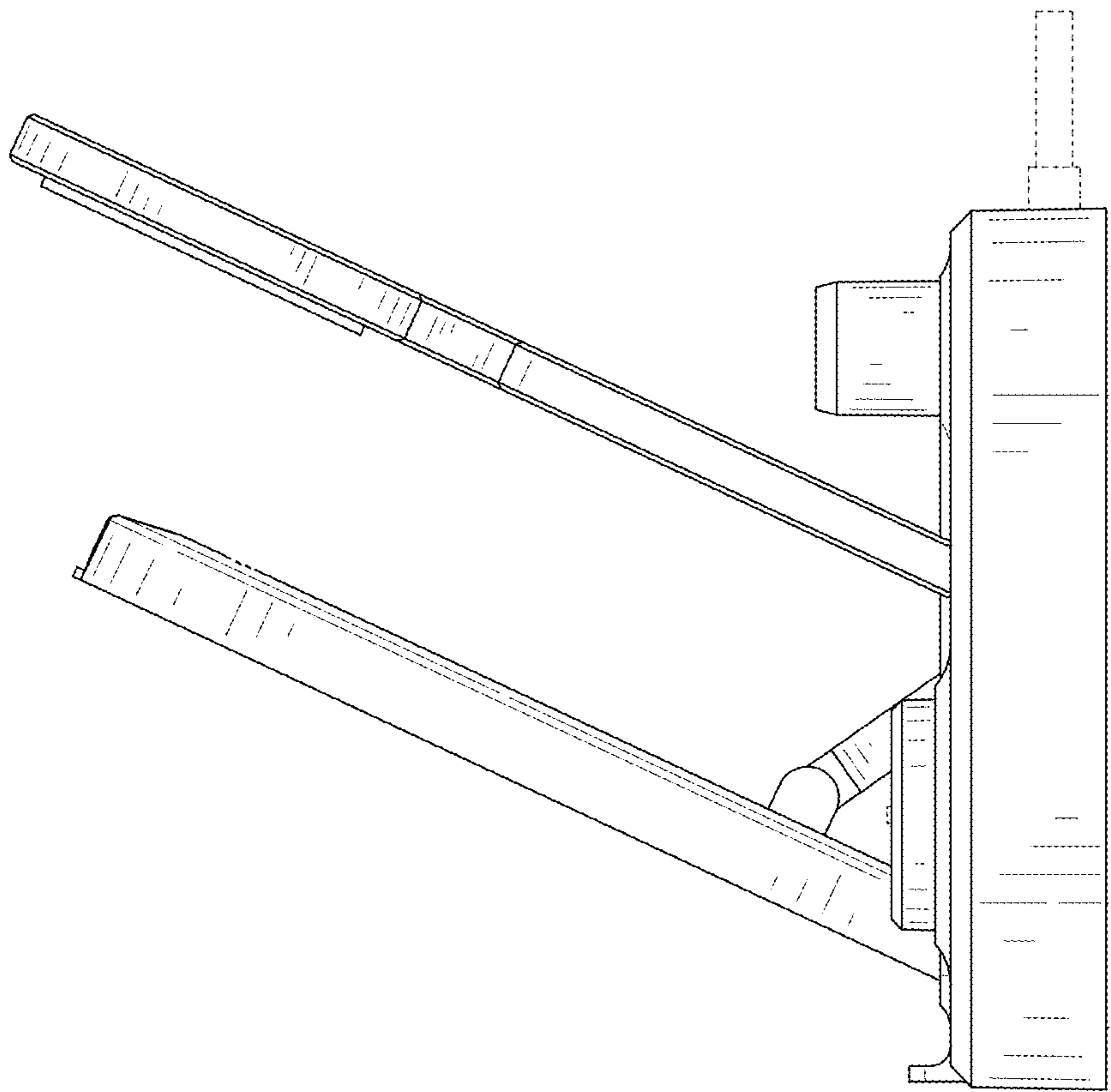


FIG. 6

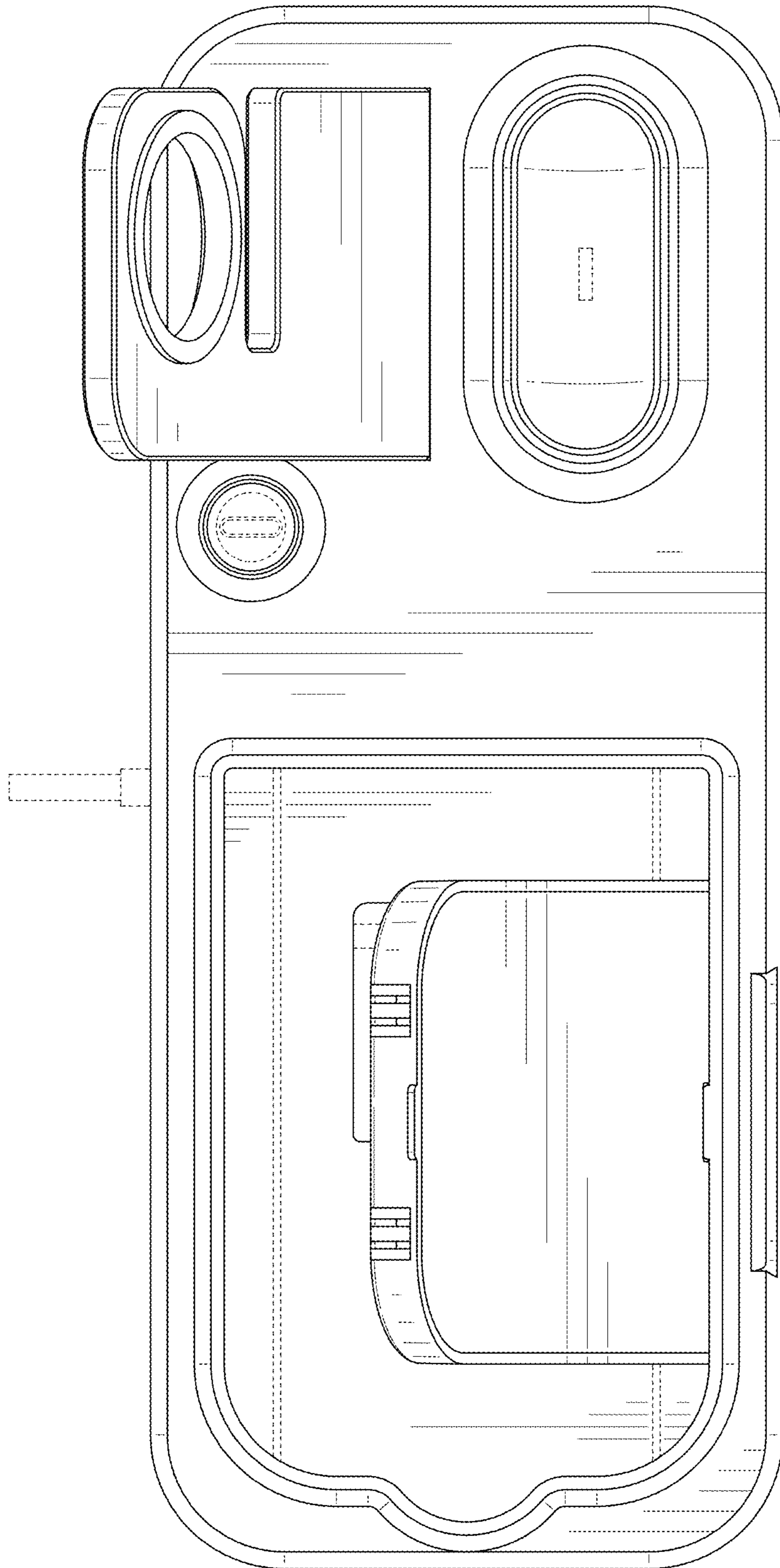


FIG. 7

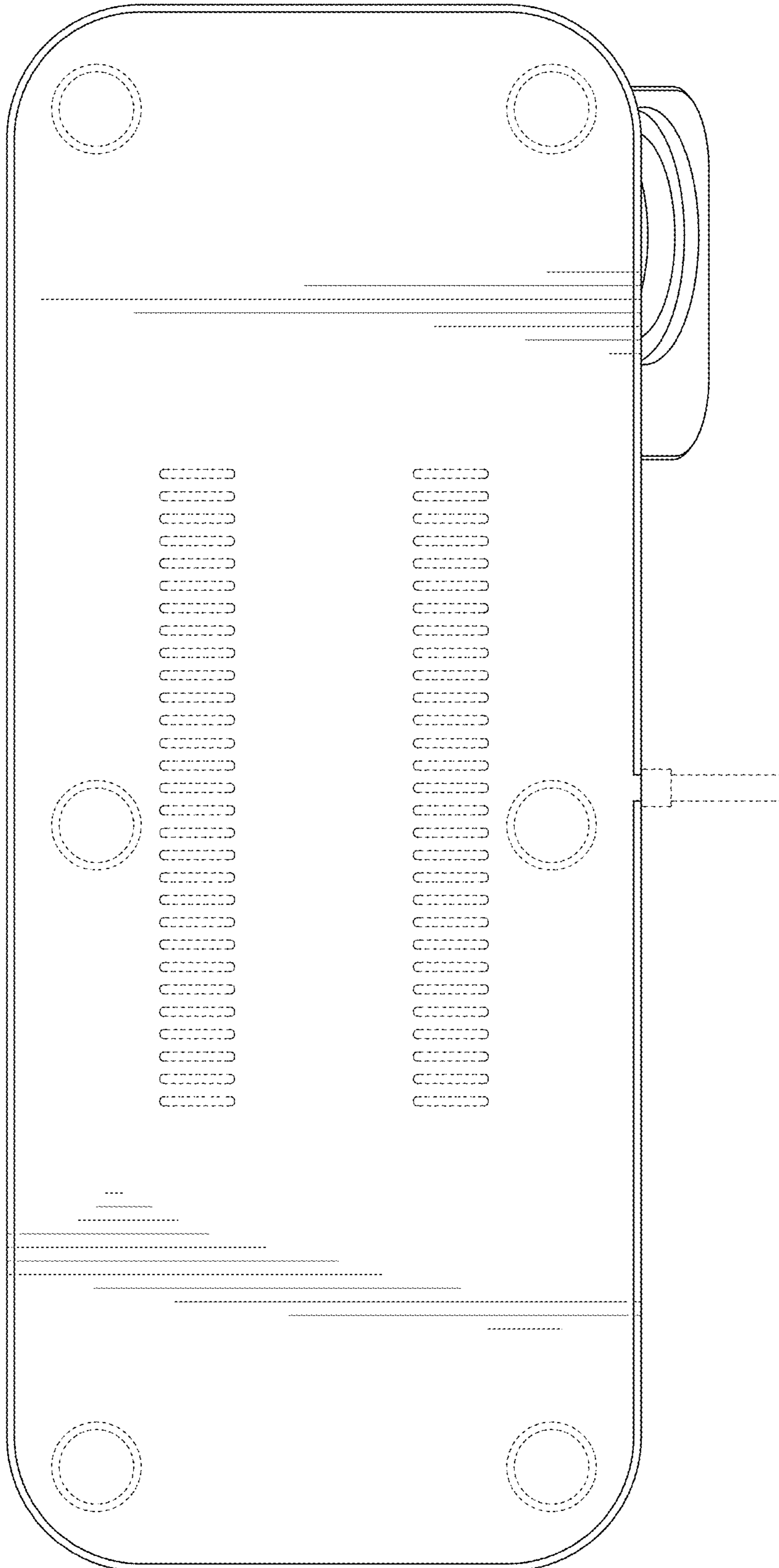


FIG. 8

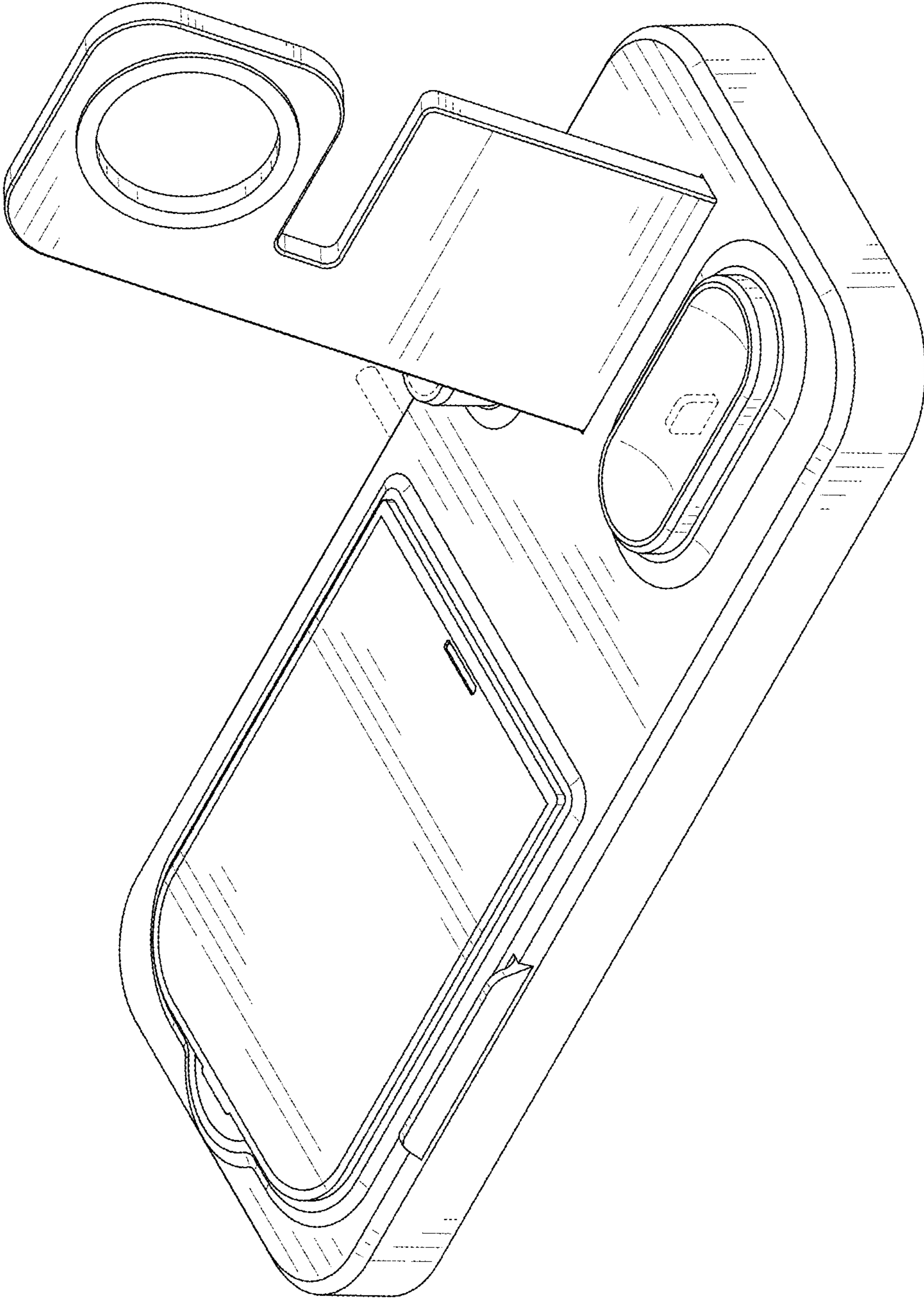


FIG. 9