



US00D881122S

(12) **United States Design Patent**  
**Yao et al.**

(10) **Patent No.:** **US D881,122 S**  
(45) **Date of Patent:** **\*\* Apr. 14, 2020**

(54) **POWER BANK WITH KICKSTAND**

- (71) Applicant: **Kenu, Inc.**, San Francisco, CA (US)
- (72) Inventors: **David E. Yao**, Daly City, CA (US);  
**Leonard John Duran**, San Mateo, CA (US); **Kenneth Y. Minn**, San Francisco, CA (US)
- (73) Assignee: **Kenu, Inc.**, San Francisco, CA (US)
- (\*\*) Term: **15 Years**
- (21) Appl. No.: **29/680,739**
- (22) Filed: **Feb. 19, 2019**
- (51) **LOC (12) Cl.** ..... **13-02**
- (52) **U.S. Cl.**  
USPC ..... **D13/108; D13/103**
- (58) **Field of Classification Search**  
USPC ..... D13/103, 107, 108, 110, 133,  
D13/137.1–137.4, 138.1–138.2,  
D13/139.1–139.8, 146, 147, 151–156,  
D13/173, 177, 199; D14/432, 433, 435.1,  
D14/250; D23/231, 232; D15/7–9;  
D8/350, 353–356  
CPC ..... H01R 11/00; H01R 9/00; H01R 13/00;  
H01R 13/04; H01R 13/10; H01R  
13/6666; H01R 13/6675; H01R 25/00;  
H01R 25/006; H01H 2207/00; H01H  
2207/022; Y02E 60/12; Y02E 60/122;  
Y02E 60/124; Y02E 60/50; H01M 2/02;  
H01M 2/022; H01M 2/0202; H01M  
2/0207; H01M 2/0212; H01M 2/1061;  
H01M 2/1022; H01M 2/1055; H01M  
2/1066; H01M 2/105; H01M 2/204; H02J  
7/00; H02J 7/0003; H02J

(Continued)

(56) **References Cited**

**U.S. PATENT DOCUMENTS**

- 4,942,352 A 7/1990 Sano
- 5,122,729 A 6/1992 Itoga et al.

(Continued)

**OTHER PUBLICATIONS**

Crazydave, “*Qi Charging 4000mAh Power Bank with Suckers WL004*,” [https://www.crazydavepromo.com/branded-qi-charging-power-bank-4000mah-suction-wl004], downloaded on Dec. 12, 2018. 3 pages.

(Continued)

*Primary Examiner* — Rosemary K Tarcza

*Assistant Examiner* — Christy M Nemeth

(74) *Attorney, Agent, or Firm* — Vierra Magen Marcus LLP

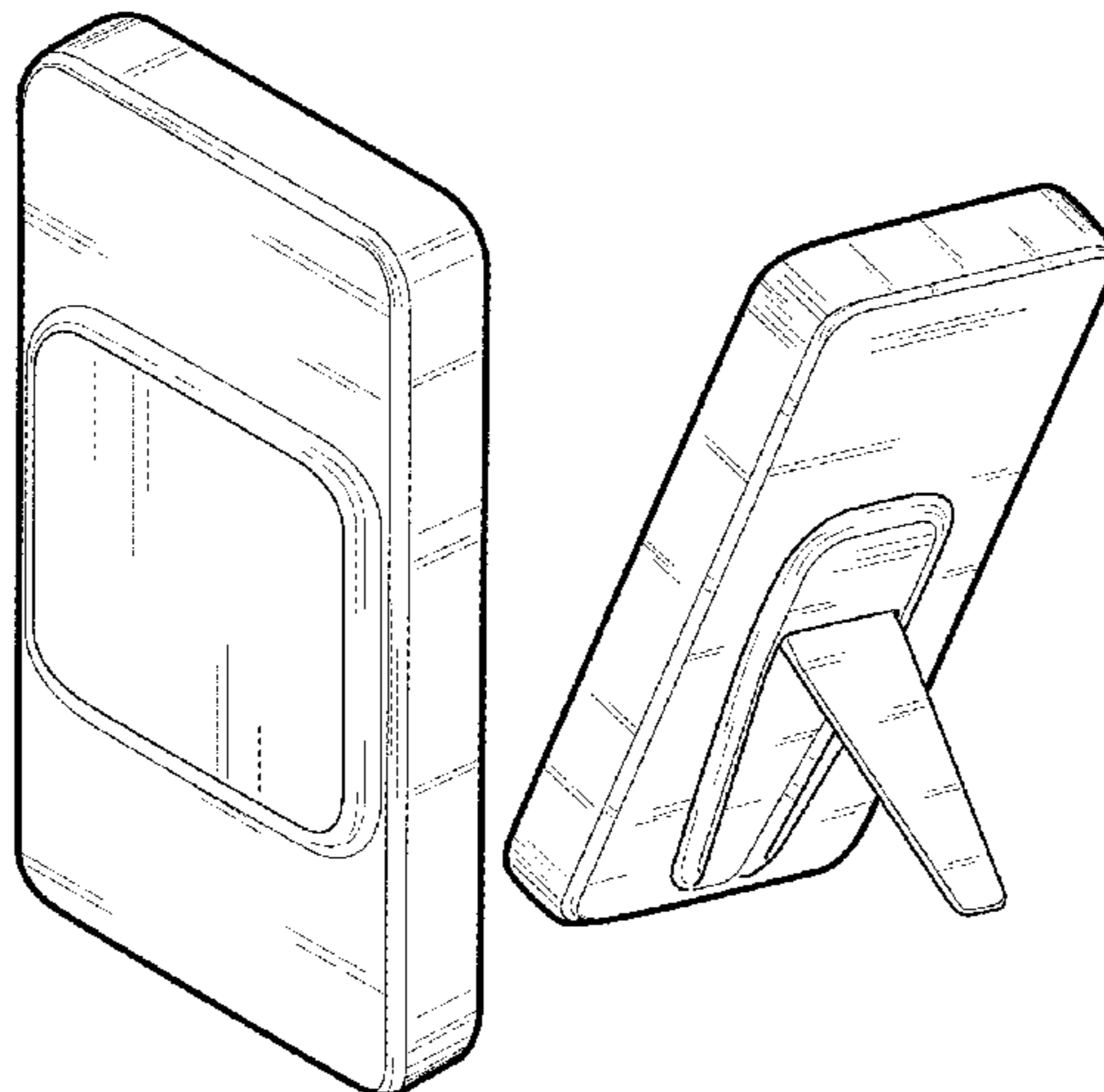
(57) **CLAIM**

The ornamental design for a power bank with kickstand, as shown and described.

**DESCRIPTION**

FIG. 1 is a rear perspective view of a power bank with kickstand in a retracted position;  
 FIG. 2 is a front perspective view of the power bank with kickstand in the retracted position;  
 FIG. 3 is a rear elevational view of the power bank with kickstand in the retracted position;  
 FIG. 4 is a front elevational view of the power bank;  
 FIG. 5 is a bottom plan view of the power bank with kickstand in the retracted position;  
 FIG. 6 is a top plan view of the power bank with kickstand in the retracted position;  
 FIG. 7 is a right elevational view of the power bank with kickstand in the retracted position;  
 FIG. 8 is a left elevational of the power bank with kickstand in the retracted position;  
 FIG. 9 is a rear perspective view of the power bank with kickstand in an extended position, while the power bank is in a first position; and,  
 FIG. 10 is a rear perspective view of the power bank with kickstand in the extended position, while the power bank is in a second position.

**1 Claim, 4 Drawing Sheets**





(58) **Field of Classification Search**  
 CPC ..... 7/0011; H02J 7/0013; H02J 7/0054; H02J  
 7/0055; H02J 7/0057; Y02T 10/7005;  
 Y02T 10/705; Y02T 10/7088; B60L  
 11/1809; B60L 11/1861  
 See application file for complete search history.

(56) **References Cited**

U.S. PATENT DOCUMENTS

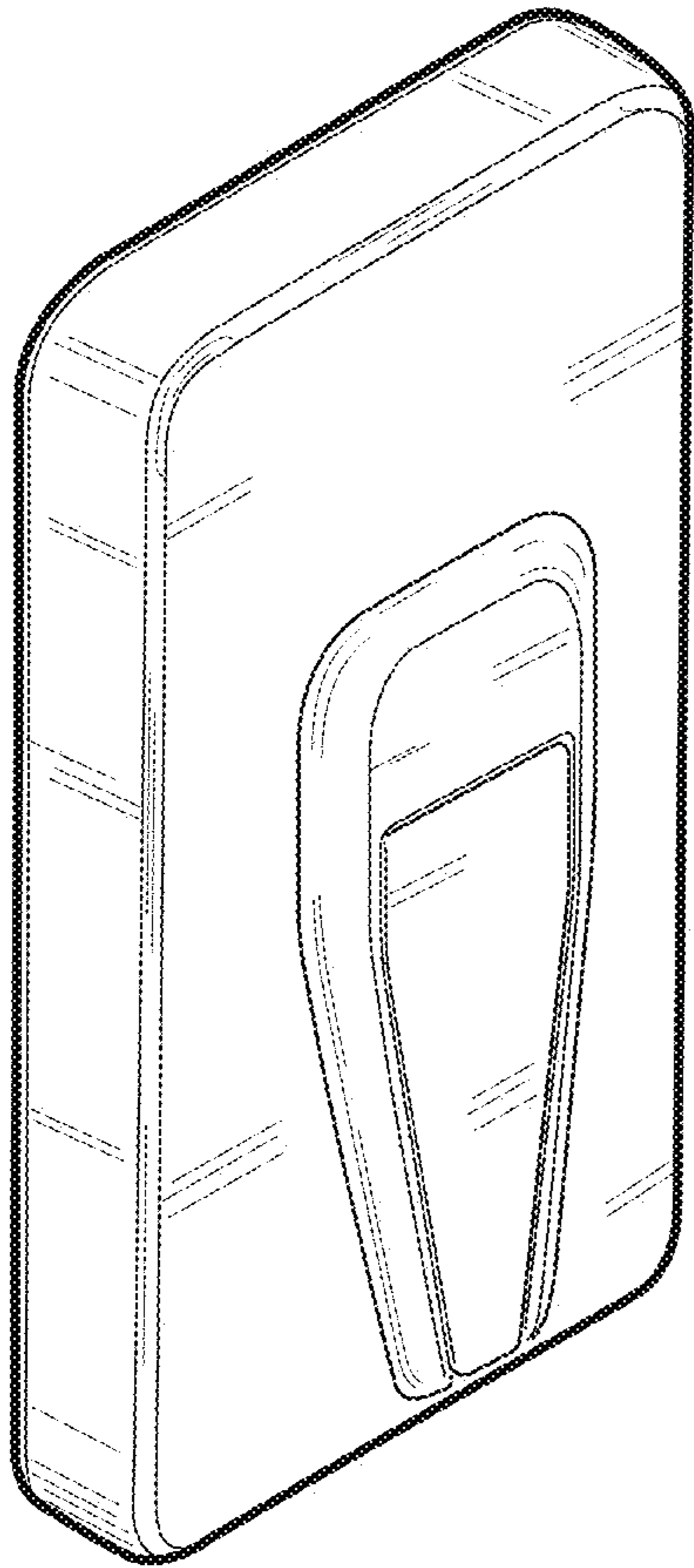
5,536,979 A 7/1996 McEachern et al.  
 5,600,225 A 2/1997 Goto  
 5,734,254 A 3/1998 Stephens  
 5,923,544 A 7/1999 Urano  
 5,929,598 A 7/1999 Nakama et al.  
 6,008,622 A 12/1999 Nakawatase  
 D478,086 S \* 8/2003 Chuang ..... D13/110  
 D557,206 S 12/2007 Hussaini et al.  
 D577,665 S 9/2008 Kim et al.  
 D596,562 S 7/2009 Hong et al.  
 D611,899 S 3/2010 Yang  
 D637,951 S 5/2011 Perez  
 7,953,369 B2 5/2011 Baarman  
 D639,810 S \* 6/2011 Hwang ..... D13/107  
 D642,519 S 8/2011 Woo et al.  
 8,234,509 B2 7/2012 Gioscia et al.  
 D674,336 S 1/2013 Suzuka et al.  
 D674,337 S 1/2013 Au Yeung  
 8,395,352 B2 3/2013 Aoyama et al.  
 D685,322 S 7/2013 Szymanski et al.  
 D685,366 S 7/2013 Ding  
 D690,647 S 10/2013 Huang et al.  
 D693,296 S 11/2013 Lin et al.  
 D697,477 S 1/2014 Jonas, III  
 8,629,651 B2 1/2014 Guccione et al.  
 D699,182 S 2/2014 Chun  
 D703,133 S \* 4/2014 Ireland ..... D13/108  
 8,692,514 B2 4/2014 Clouser  
 D704,626 S 5/2014 Li  
 D705,160 S 5/2014 Ormesher et al.  
 D705,722 S 5/2014 Gengler  
 8,723,366 B2 5/2014 Fiorello et al.  
 D719,506 S 12/2014 Jung et al.  
 8,941,352 B2 1/2015 Hong  
 D723,459 S 3/2015 Dang et al.  
 8,985,543 B2 3/2015 Chen et al.  
 D729,163 S 5/2015 Meyer  
 9,041,347 B2 5/2015 Paschke et al.  
 9,068,692 B2 6/2015 Park  
 9,093,850 B2 7/2015 Wang et al.  
 D737,761 S 9/2015 Zhuang et al.  
 9,131,756 B2 9/2015 Hurst et al.  
 9,201,457 B1 12/2015 Baraban et al.  
 D749,508 S \* 2/2016 Ireland ..... D13/108  
 9,270,130 B2 2/2016 Arai et al.  
 9,318,915 B2 4/2016 Miller et al.  
 9,356,659 B2 5/2016 Partovi  
 D761,201 S 7/2016 Ireland et al.  
 D762,570 S 8/2016 Precheur  
 D772,812 S \* 11/2016 Choe ..... D13/108  
 D774,453 S 12/2016 Yoneta et al.  
 D776,050 S \* 1/2017 Awad ..... D13/102  
 9,570,936 B2 2/2017 Yoo  
 D787,441 S 5/2017 Lee et al.  
 9,667,092 B2 5/2017 Miller et al.  
 D788,699 S 6/2017 Hoehn  
 D791,072 S 7/2017 Hoehn  
 D797,668 S 9/2017 Park et al.  
 D800,059 S 10/2017 Tsui  
 D801,922 S 11/2017 Morenstein et al.  
 D803,775 S 11/2017 Park et al.  
 D803,779 S 11/2017 Jung et al.  
 9,812,892 B2 11/2017 Miller et al.  
 D806,024 S \* 12/2017 Swen ..... D13/108  
 D812,556 S 3/2018 Xu  
 D812,564 S 3/2018 Feng

D816,029 S \* 4/2018 Dai ..... D13/108  
 D819,563 S 6/2018 Wei  
 9,991,923 B2 6/2018 Yan  
 D824,328 S 7/2018 Liu  
 D828,354 S \* 9/2018 Chuang ..... D14/433  
 10,079,513 B2 9/2018 Park et al.  
 D832,783 S \* 11/2018 Leabman ..... D13/108  
 D835,079 S 12/2018 Yun  
 D840,930 S 2/2019 Lu  
 D842,244 S 3/2019 Li  
 D845,896 S 4/2019 Hu  
 D847,740 S 5/2019 Yamanouchi  
 D849,682 S 5/2019 Dou et al.  
 D853,322 S 7/2019 Xu  
 D857,019 S 8/2019 Mecchella  
 D859,308 S 9/2019 Connell et al.  
 D861,601 S 10/2019 Lin  
 D862,384 S 10/2019 Jen  
 D871,329 S \* 12/2019 Chen ..... D13/108  
 2009/0096415 A1 4/2009 Beart et al.  
 2010/0146308 A1 6/2010 Gioscia et al.  
 2011/0260681 A1 10/2011 Guccione et al.  
 2012/0049800 A1 3/2012 Johnson et al.  
 2012/0091952 A1 4/2012 Oshimi et al.  
 2012/0100398 A1 4/2012 Lee  
 2013/0002049 A1 1/2013 Stampfli  
 2013/0187607 A1 7/2013 Wang et al.  
 2014/0132206 A1 5/2014 Zhu  
 2014/0375186 A1 12/2014 Tarnow et al.  
 2017/0093200 A1 3/2017 Green  
 2017/0110902 A1 4/2017 Miller et al.  
 2017/0302098 A1 10/2017 Miller et al.  
 2017/0353591 A1 12/2017 Abramovich  
 2018/0032730 A1 2/2018 Miller et al.  
 2018/0069358 A1 3/2018 Miller et al.  
 2018/0198306 A1 7/2018 Findley et al.

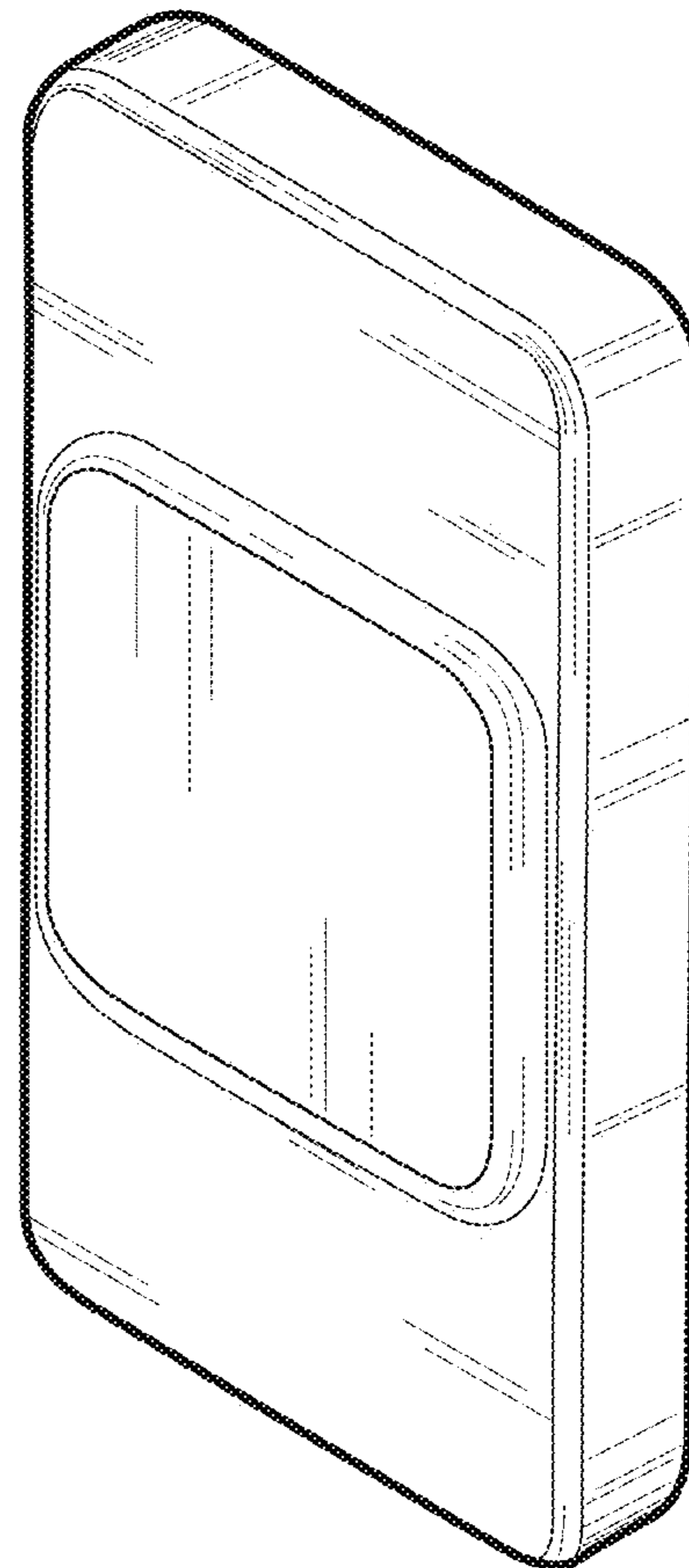
OTHER PUBLICATIONS

Amazon, "Portable Charger Power Bank, HTGK 10000mAh Qi Wireless Charger with Kickstand, External Battery Pack 2 in 1 for iPhone X, iPhone 8/8Plus, Samsung Galaxy S6/7/8 and more (Black)," [https://www.amazon.com/Portable-HTGK-10000mAh-Wireless-Kickstand/dp/B07CQCV85R/ref=sr\_1\_29?ie=UTF8&qid=1543448581&sr=8-29&keywords=wireless+power+bank+phone+stand], downloaded on Dec. 12, 2018, 9 pages.  
 Kickstarter, "BricksPower, first-ever true wireless charger on the go," [https://www.kickstarter.com/projects/349007245/brickspower-first-ever-true-wireless-charger-on-th?ref=nav\_search&result=project&term=libtech], downloaded on Dec. 12, 2018, 20 pages.  
 Amazon, "miriQ Connect-iPhone 7/8 Power Bank + Slim Charging Case-Magnetic Battery Charging + Wireless charging," [https://www.amazon.com/miriQ-Connect-Charging-Magnetic-Wireless/dp/B07B4JDJ4X], downloaded on Dec. 12, 2018, 6 pages.  
 BTOPLLC, "Btopllc Power Bank for iPhone 6/6s 3500-Blue," [http://www.btopllc.com/product/btopllc-cellphone-battery-charger-cases-power-bank-for-iphone-66s-3500mah-portable-charger-case-power-bank-rechargeable-with-stand-4-7-inches-battery-case], downloaded on Dec. 12, 2018, 4 pages.  
 Kickstarter, "SETA Smartphone Stand for iPhone, Galaxy +," [https://www.kickstarter.com/projects/774823150/seta-smartphone-stand-for-iphone-galaxy], downloaded on Dec. 12, 2018, 22 pages.  
 Amazon, "ESR Metal Kickstand Case for iPhone Xs/X, [Vertical and Horizontal Stand][Reinforced Drop Protection] Hard PC Back with Flexible TPU Bumper for The iPhone Xs/X, Black," [https://www.amazon.com/ESR-Kickstand-Horizontal-Reinforced-Protection/dp/B0742YPR5F/ref=sr\_1\_3?ie=UTF8&qid=1543538646&sr=8-3&keywords=esr+case+stand], downloaded on Dec. 12, 2018, 10 pages.  
 Design U.S. Appl. No. 29/673,195, filed Dec. 12, 2018 by Yao et al.  
 Notice of Allowance dated Nov. 22, 2019, Design U.S. Appl. No. 29/673,195, filed Dec. 12, 2018.

\* cited by examiner

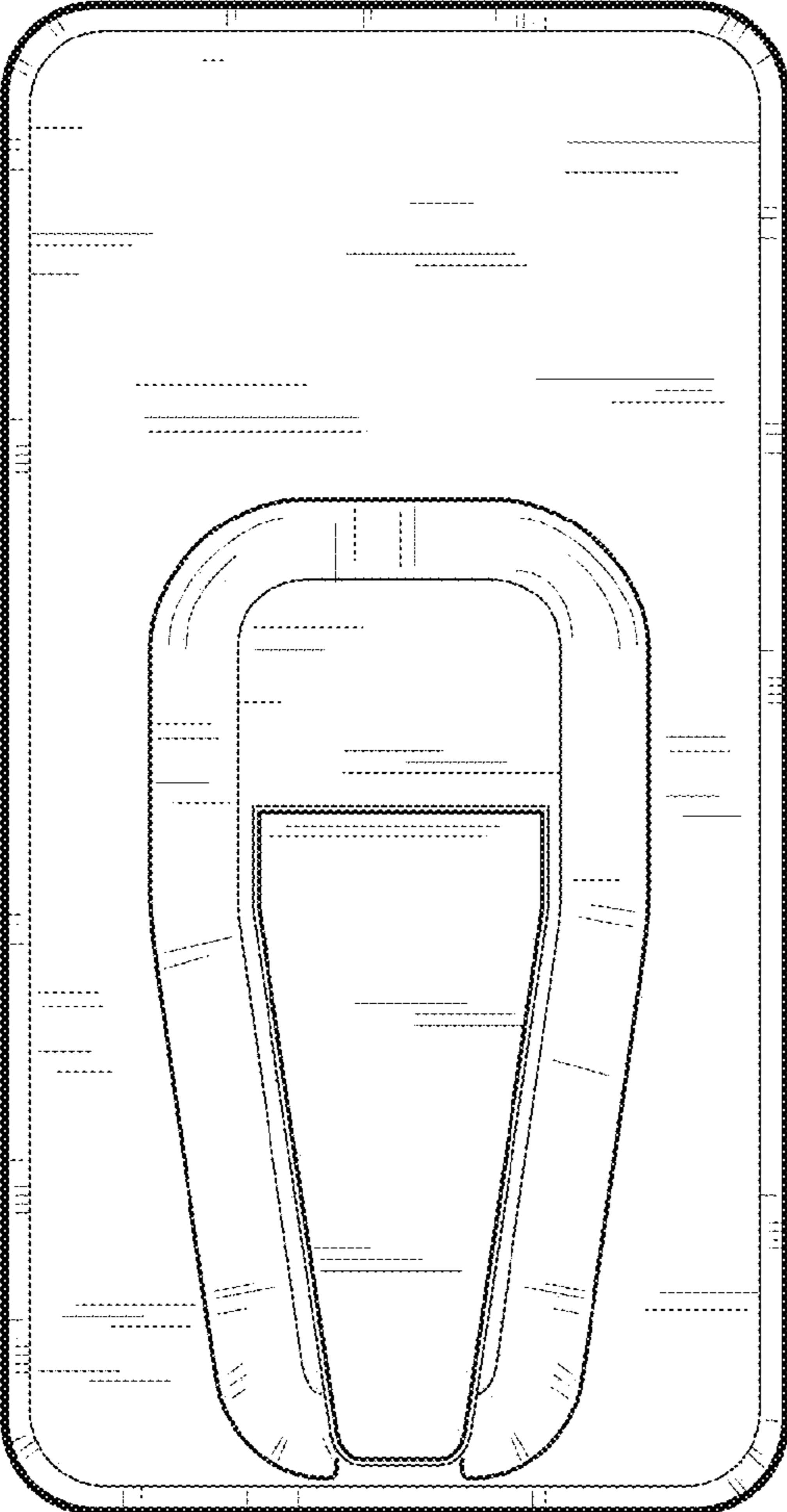


**FIG. 1**

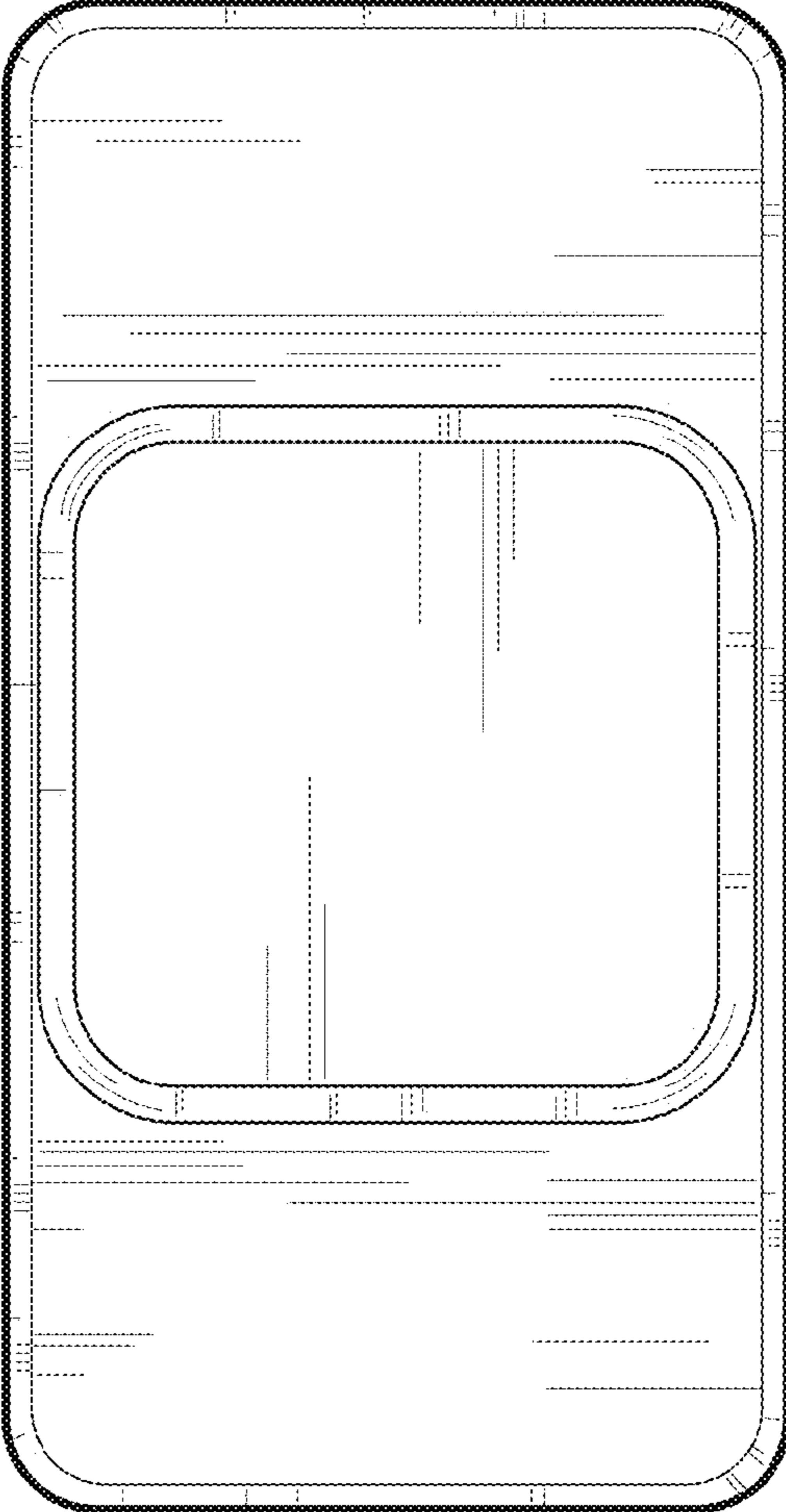


**FIG. 2**





**FIG. 3**



**FIG. 4**

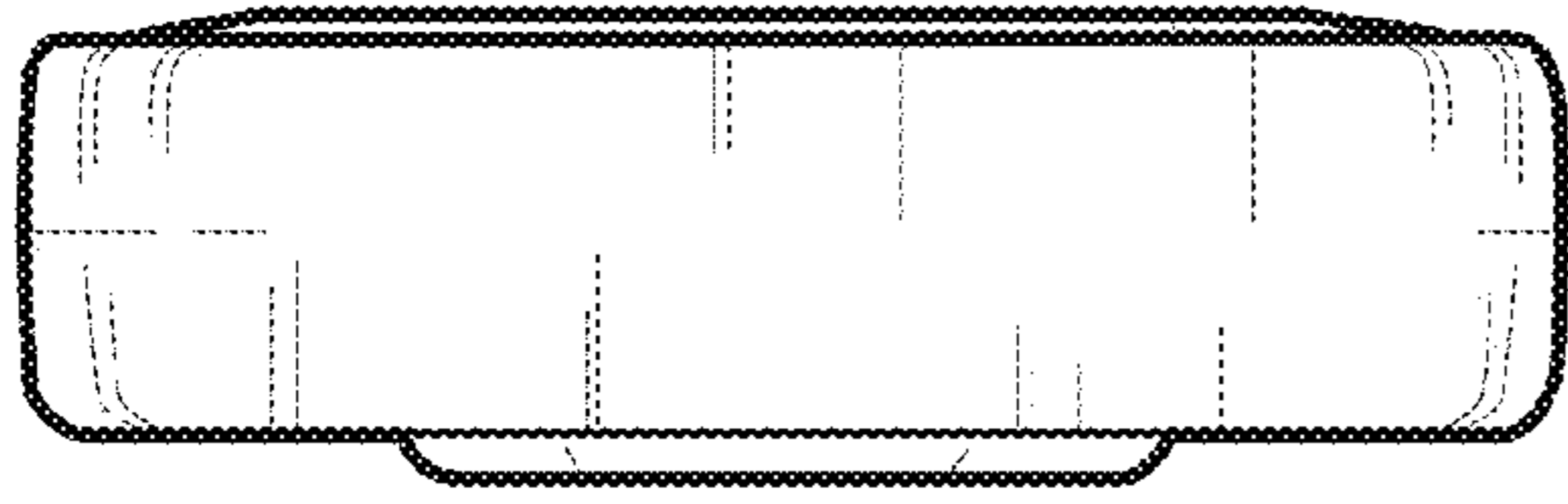


FIG. 5

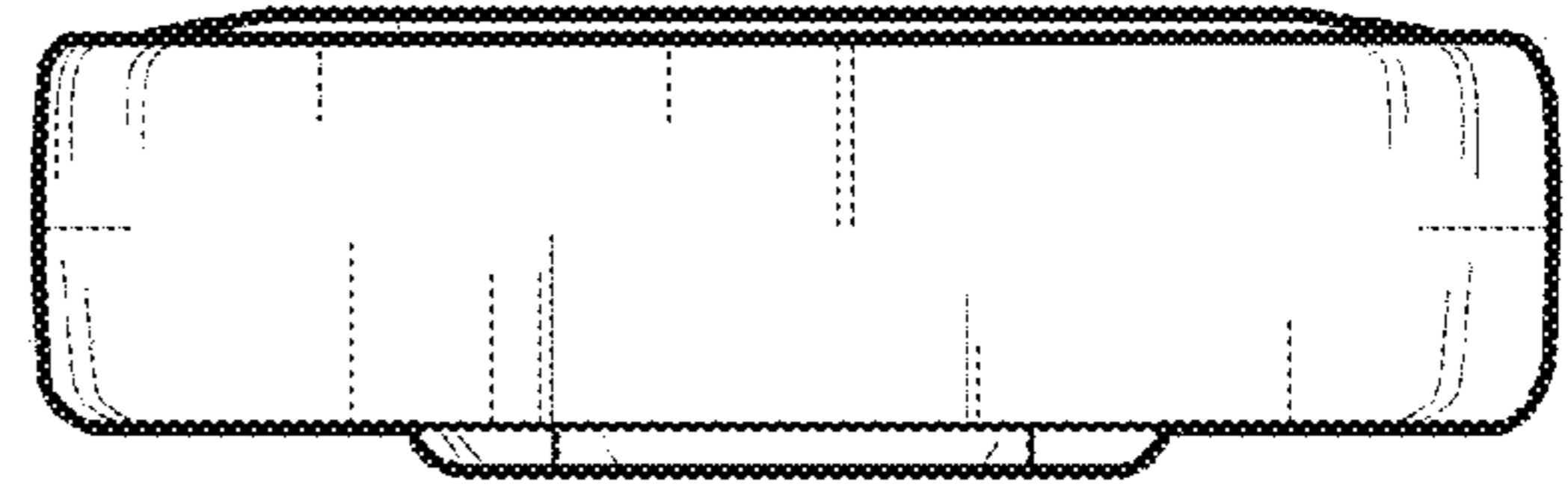


FIG. 6

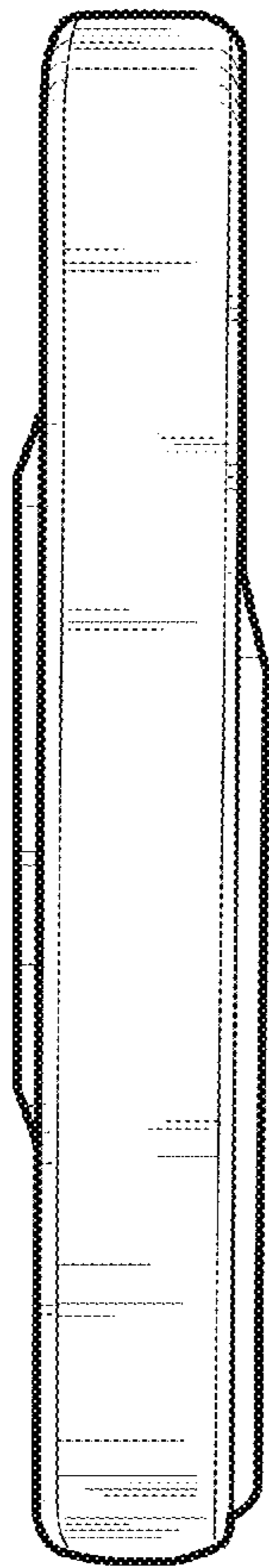


FIG. 7

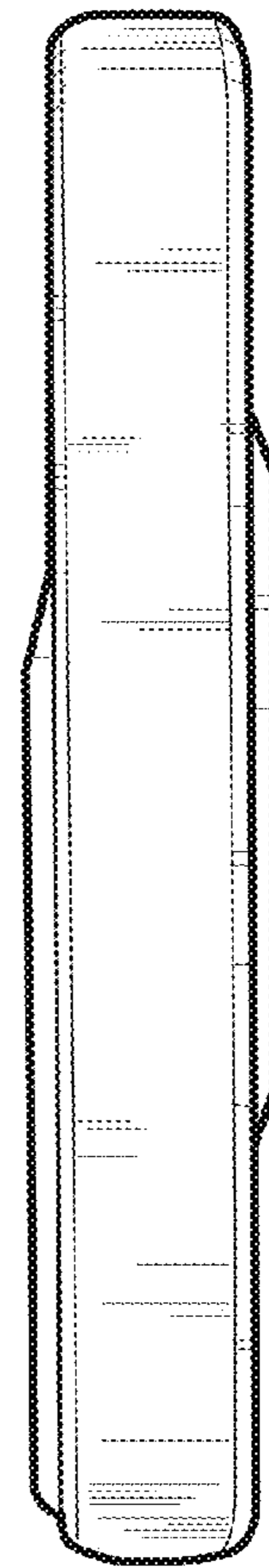


FIG. 8

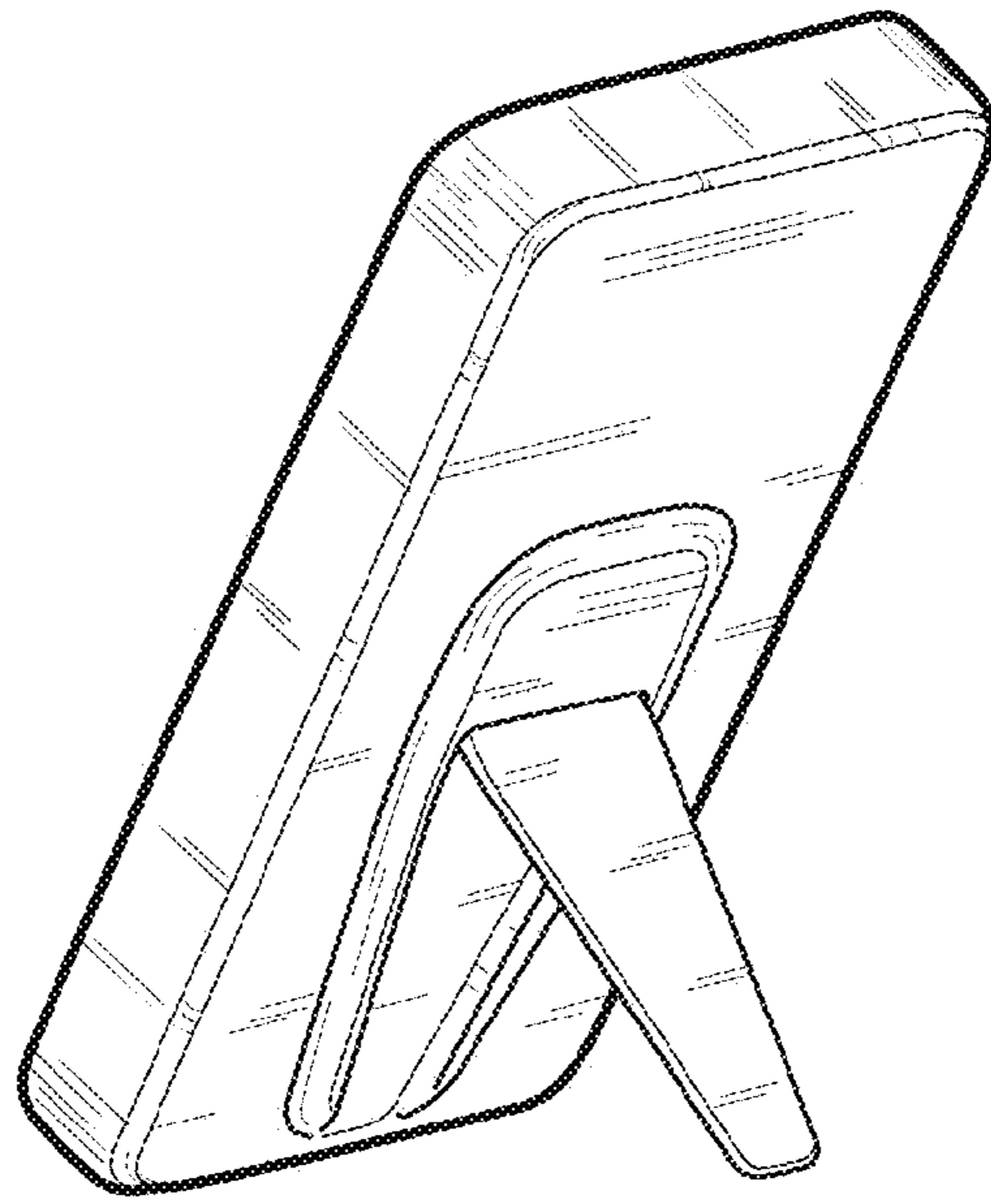


FIG. 9

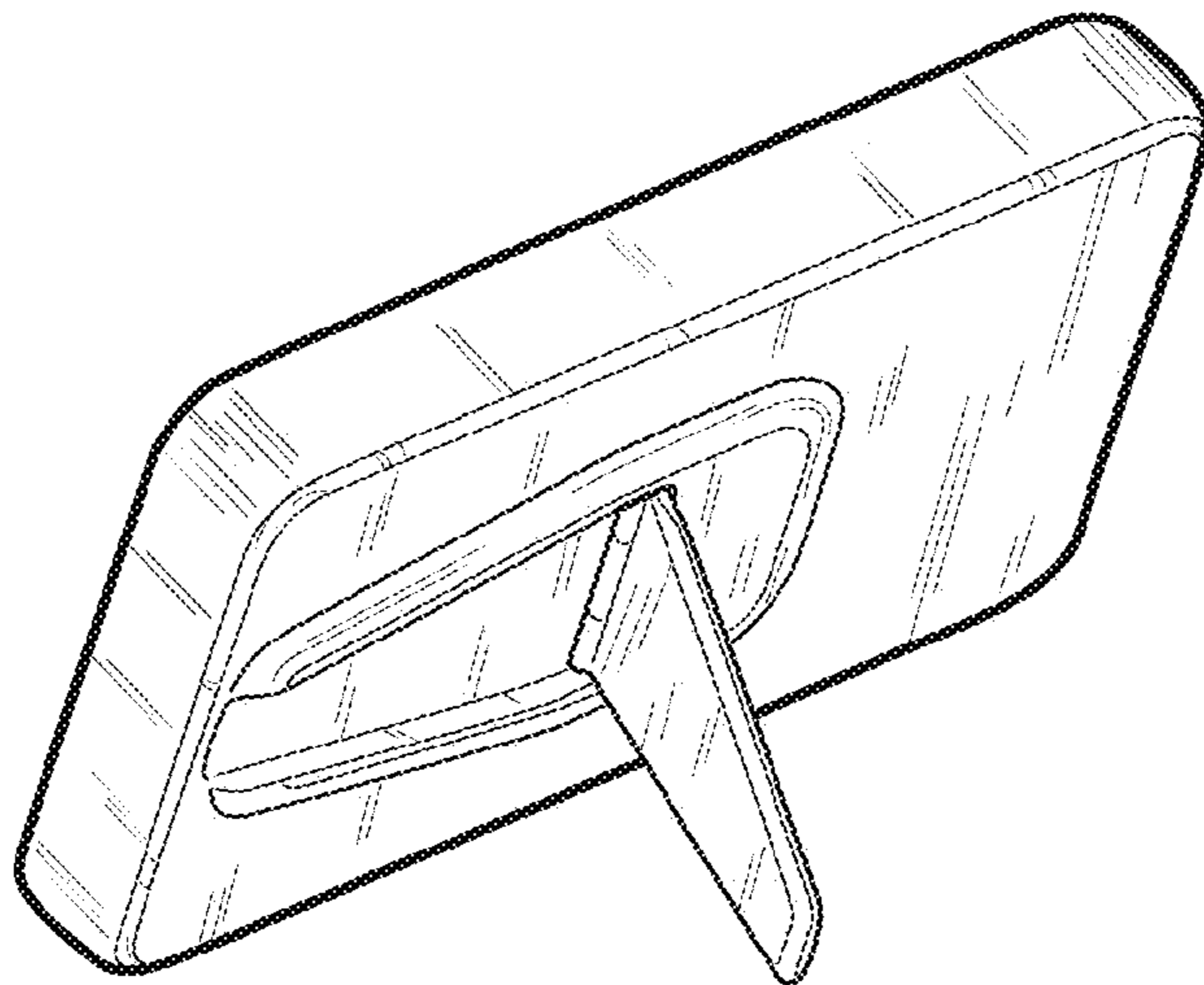


FIG. 10