



US00D881121S

(12) **United States Design Patent**
Roberts

(10) **Patent No.:** **US D881,121 S**

(45) **Date of Patent:** **** Apr. 14, 2020**

(54) **PORTABLE POWER BANK**

(71) Applicant: **James Roberts**, St Martin (JE)

(72) Inventor: **James Roberts**, St Martin (JE)

(73) Assignee: **Flashbay Electronics Hong Kong Limited**, Hong Kong (HK)

(**) Term: **15 Years**

(21) Appl. No.: **29/676,458**

(22) Filed: **Jan. 11, 2019**

(51) **LOC (12) Cl.** **13-02**

(52) **U.S. Cl.**
USPC **D13/108**; D13/103

(58) **Field of Classification Search**
USPC D13/103, 107, 108, 110, 133,
D13/137.1–137.4, 138.1–138.2,
D13/139.1–139.8, 146, 147, 151–156,
D13/173, 177, 199; D14/432, 433, 435.1,
D14/250; D23/231, 232; D15/7–9;
D8/350, 353–356

CPC H01R 11/00; H01R 9/00; H01R 13/00;
H01R 13/04; H01R 13/10; H01R
13/6666; H01R 13/6675; H01R 25/00;
H01R 25/006; H01H 2207/00; H01H
2207/022; Y02E 60/12; Y02E 60/122;
Y02E 60/124; Y02E 60/50; H01M 2/02;
H01M 2/022; H01M 2/0202; H01M
2/0207; H01M 2/0212; H01M 2/1061;
H01M 2/1022; H01M 2/1055; H01M
2/1066; H01M 2/105; H01M 2/204; H02J
7/00; H02J 7/0003; H02J 7/0011; H02J
7/0013; H02J 7/0054; H02J 7/0055; H02J
7/0057; Y02T 10/7005; Y02T 10/705;
Y02T 10/7088; B60L 11/1809; B60L
11/1861

See application file for complete search history.

(56) **References Cited**

U.S. PATENT DOCUMENTS

D751,985 S *	3/2016	Curry	D13/103
D769,877 S *	10/2016	Akana	D14/433
D797,747 S *	9/2017	Xu	D14/433
D813,803 S *	3/2018	Massar	D13/108
D814,412 S *	4/2018	Georgiades	D13/108
D816,606 S *	5/2018	Georgiades	D13/108
D819,022 S *	5/2018	Shim	D14/363
D821,972 S *	7/2018	Wei	D13/108
D829,719 S *	10/2018	Shim	D14/435
D841,652 S *	2/2019	Akana	D14/433
D847,811 S *	5/2019	Shim	D14/356
D864,861 S *	10/2019	Roberts	D13/108
D864,964 S *	10/2019	Lyu	D14/433
D864,966 S *	10/2019	Sang	D14/434
D866,557 S *	11/2019	Xiong	D14/433

* cited by examiner

Primary Examiner — Rosemary K Tarcza

Assistant Examiner — Christy M Nemeth

(57) **CLAIM**

The ornamental design for a portable power bank, as shown and described.

DESCRIPTION

FIG. 1 is a top view of the portable power bank.
FIG. 2 is a right side view of the portable power bank, the left being a mirror image thereof.
FIG. 3 is a rear view of the portable power bank.
FIG. 4 is a front view of the portable power bank.
FIG. 5 is a front, bottom, right perspective view of the portable power bank; and,
FIG. 6 is a front, bottom, right perspective view of the portable power bank shown in an open position.

1 Claim, 2 Drawing Sheets

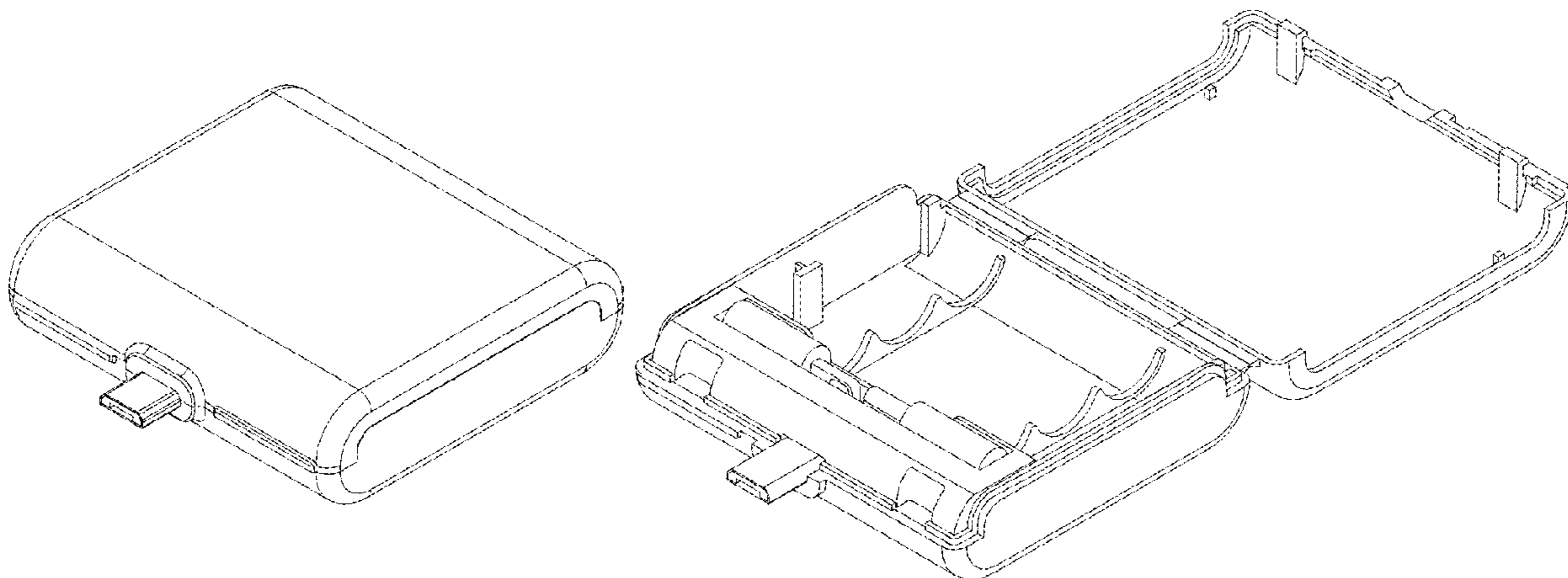


FIG. 1

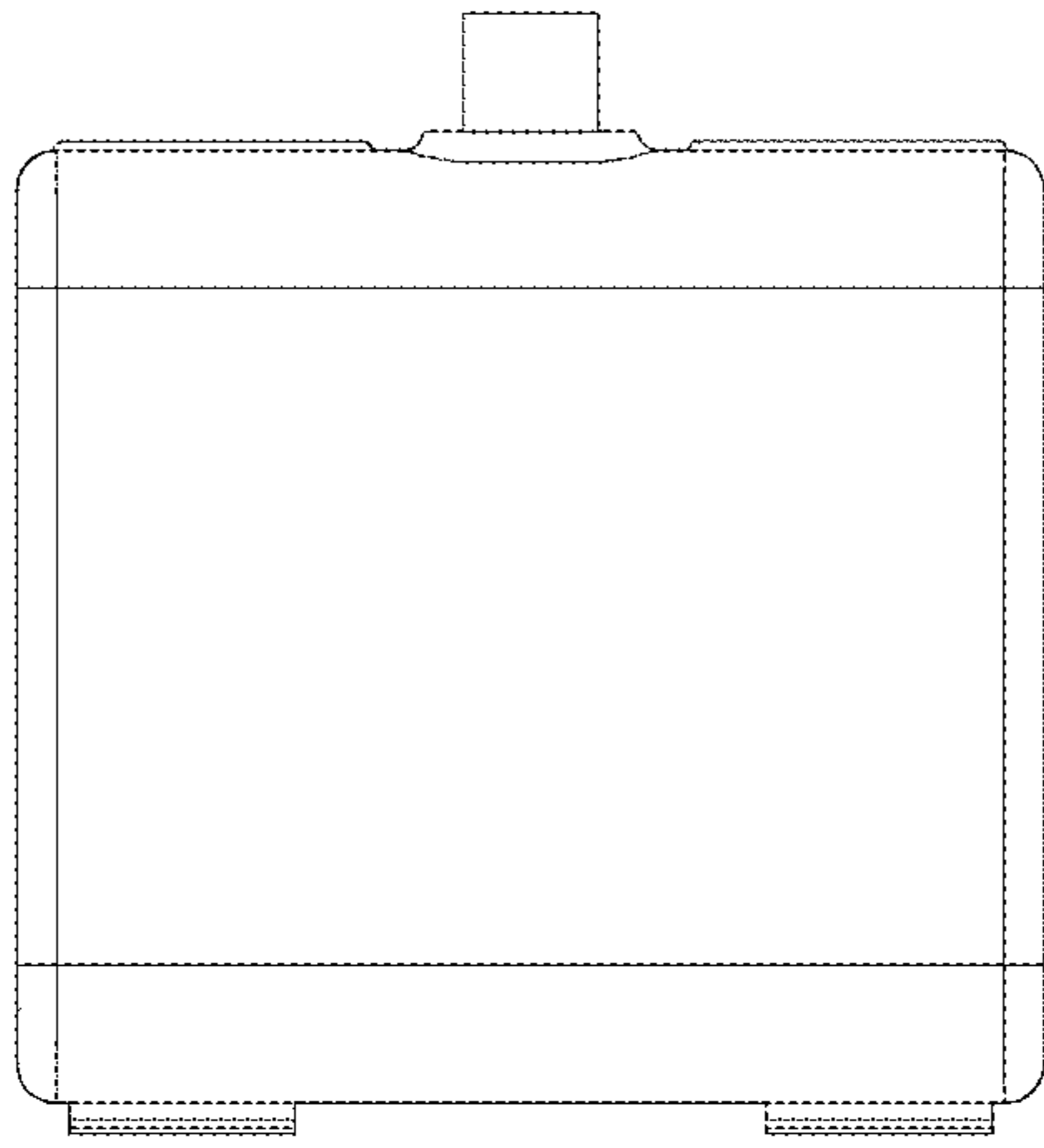


FIG. 2

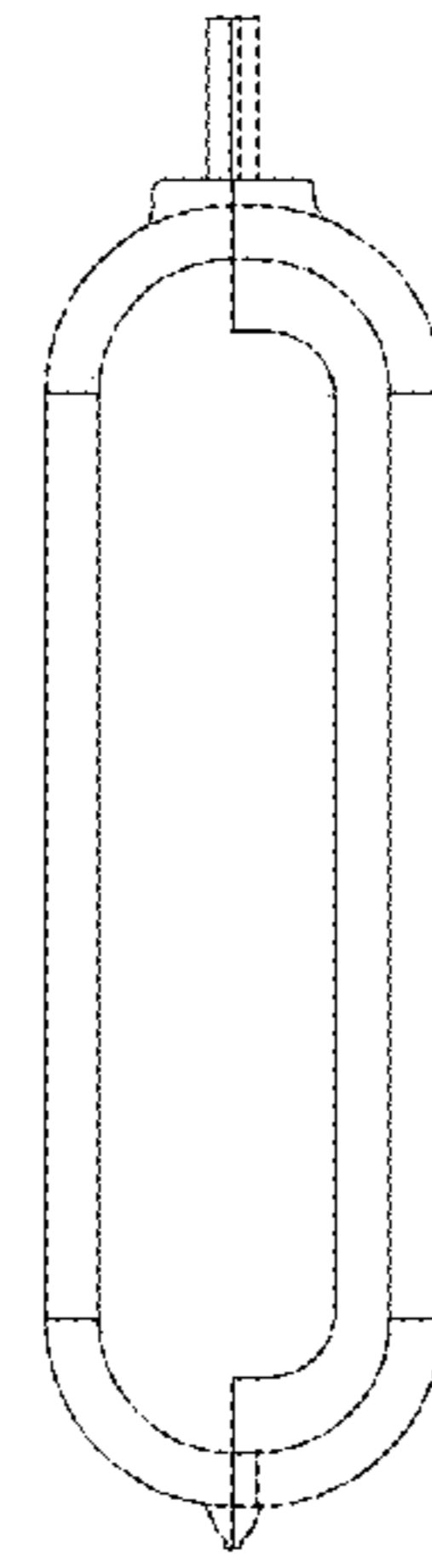


FIG. 3

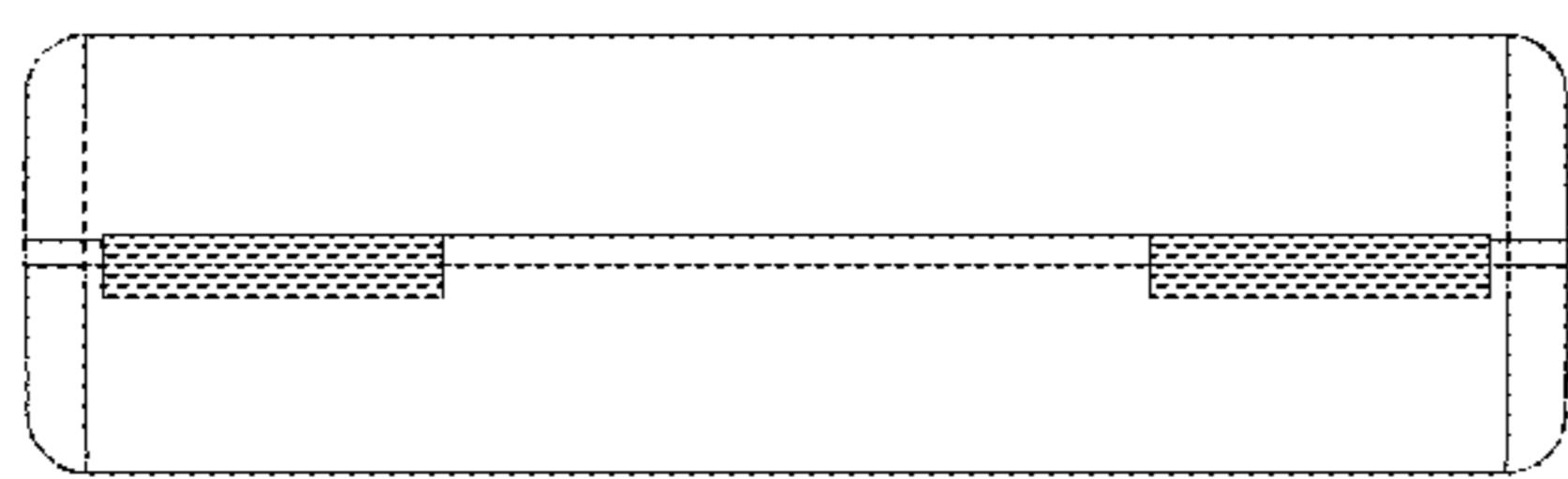


FIG. 4

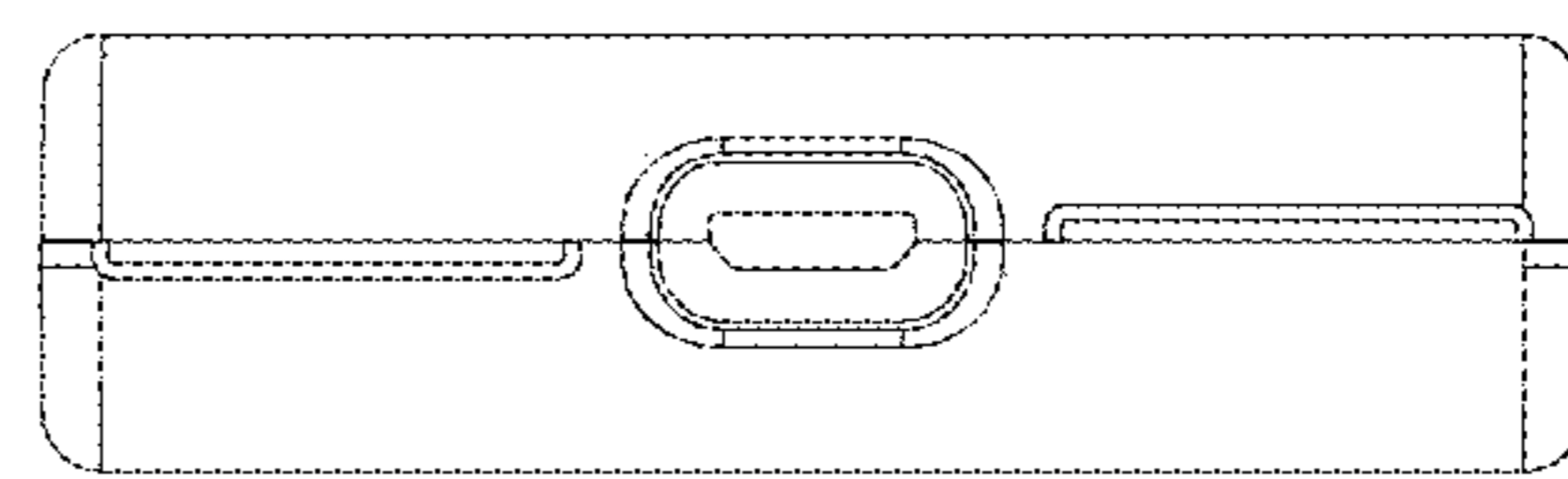


FIG.5

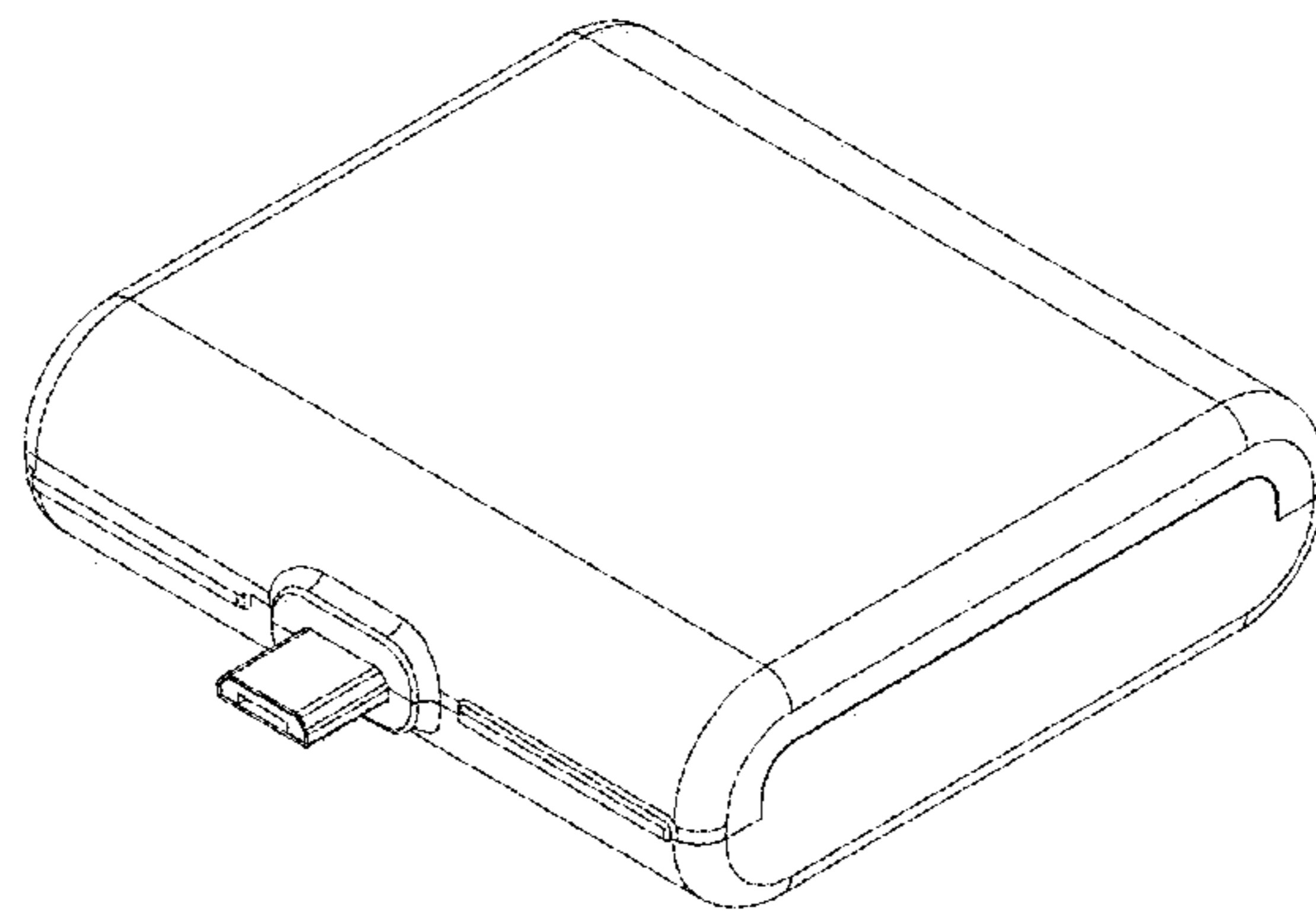


FIG.6

