



US00D881119S

(12) **United States Design Patent** (10) **Patent No.:** **US D881,119 S**
Elder (45) **Date of Patent:** **** Apr. 14, 2020**

(54) **BATTERY PACK**

(71) Applicant: **BLACK & DECKER INC.**, New Britain, CT (US)
(72) Inventor: **Christian V. Elder**, Baltimore, MD (US)
(73) Assignee: **Black & Decker Inc.**, New Britain, CT (US)

(**) Term: **15 Years**
(21) Appl. No.: **29/619,098**
(22) Filed: **Sep. 27, 2017**

Related U.S. Application Data

(63) Continuation of application No. 29/577,717, filed on Sep. 15, 2016, now Pat. No. Des. 801,919.
(51) **LOC (12) Cl.** **13-02**
(52) **U.S. Cl.**
USPC **D13/103**
(58) **Field of Classification Search**
USPC D13/102-110, 118-119, 184, 199;
D14/356, 432, 447
CPC Y02E 60/10; Y02E 60/12; Y02E 60/122;
Y02E 60/124; Y02E 60/50; H01M 2/02;
H01M 2/022; H01M 2/0202; H01M
2/0207; H01M 2/0212; H01M 2/1061;
H01M 2/1022; H01M 2/1055; H01M
2/1066; H01M 2/105; H01M 2/20; H01M
2/202; H01M 2/204; H01M 2/206; H01M
10/44; H01M 10/46; H01M 10/465;
H01M 10/482; H01M 2200/30; H01M
2250/30; H01M 2250/40; H02J 7/00;
H02J 7/0003; H02J 7/0011; H02J 7/0013;
H02J 7/0054; H02J 7/0055; H02J 7/0057;
H02J 2007/0062

See application file for complete search history.

(56) **References Cited**

U.S. PATENT DOCUMENTS

D555,086 S *	11/2007	Zhang	D13/103
D589,439 S *	3/2009	Van Wambeke	D13/103
D589,441 S *	3/2009	Van Wambeke	D13/103
D604,695 S *	11/2009	Aglassinger	D13/103
D610,082 S *	2/2010	Sweeney	D13/103
D622,661 S *	8/2010	Yamada	D13/103
D640,975 S *	7/2011	Okuda	D13/103
D643,809 S *	8/2011	Okuda	D13/103

(Continued)

Primary Examiner — Jennifer Rivard
Assistant Examiner — Alison M Ofstun
(74) *Attorney, Agent, or Firm* — Michael Aronoff

(57) **CLAIM**

The ornamental design for a battery pack, as shown and described.

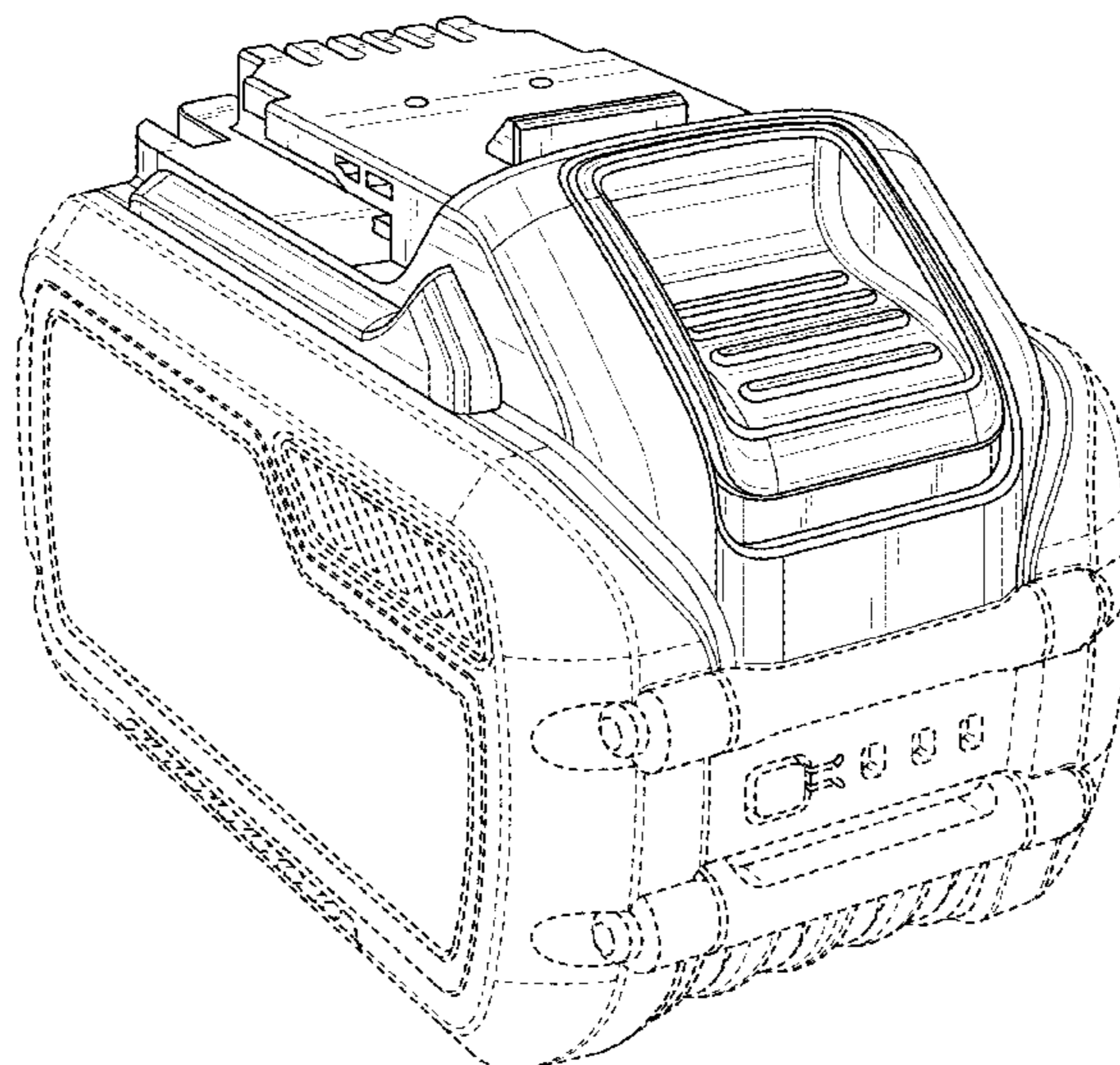
DESCRIPTION

FIG. 1 is a left side view of a battery pack, showing my new design;
FIG. 2 is a front view thereof;
FIG. 3 is a right side view thereof;
FIG. 4 is a rear view thereof;
FIG. 5 is a bottom view thereof;
FIG. 6 is a top view thereof;
FIG. 7 is a first top perspective view thereof;
FIG. 8 is a second top perspective view thereof;
FIG. 9 is a third top perspective view thereof;
FIG. 10 is a fourth top perspective view thereof;
FIG. 11 is a first bottom perspective view thereof;
FIG. 12 is a second bottom perspective view thereof;
FIG. 13 is a third bottom perspective view; and,
FIG. 14 is a fourth bottom perspective view.

The broken lines present in the figures are included for the purpose of illustrating portions of the article that form no part of the claimed design.

The claim is limited to the solid line details and the shaded surfaces within.

1 Claim, 14 Drawing Sheets



(56)

References Cited

U.S. PATENT DOCUMENTS

D657,307	S *	4/2012	Zhao	D13/103
D682,194	S *	5/2013	Jiang	D13/103
D699,670	S *	2/2014	Cooper	D13/103
8,974,951	B2 *	3/2015	Park	H01M 2/105 429/100
D780,688	S *	3/2017	Elder	D13/103
D785,562	S *	5/2017	Cooper	D13/103
D797,661	S *	9/2017	Elder	D13/103
D800,650	S *	10/2017	Itoh	D13/103
D801,919	S *	11/2017	Elder	D13/103
D819,562	S *	6/2018	Waldron	D13/103
2018/0145445	A1 *	5/2018	Louis	H01R 4/027
2018/0331335	A1 *	11/2018	Klee	H01M 2/1094

* cited by examiner

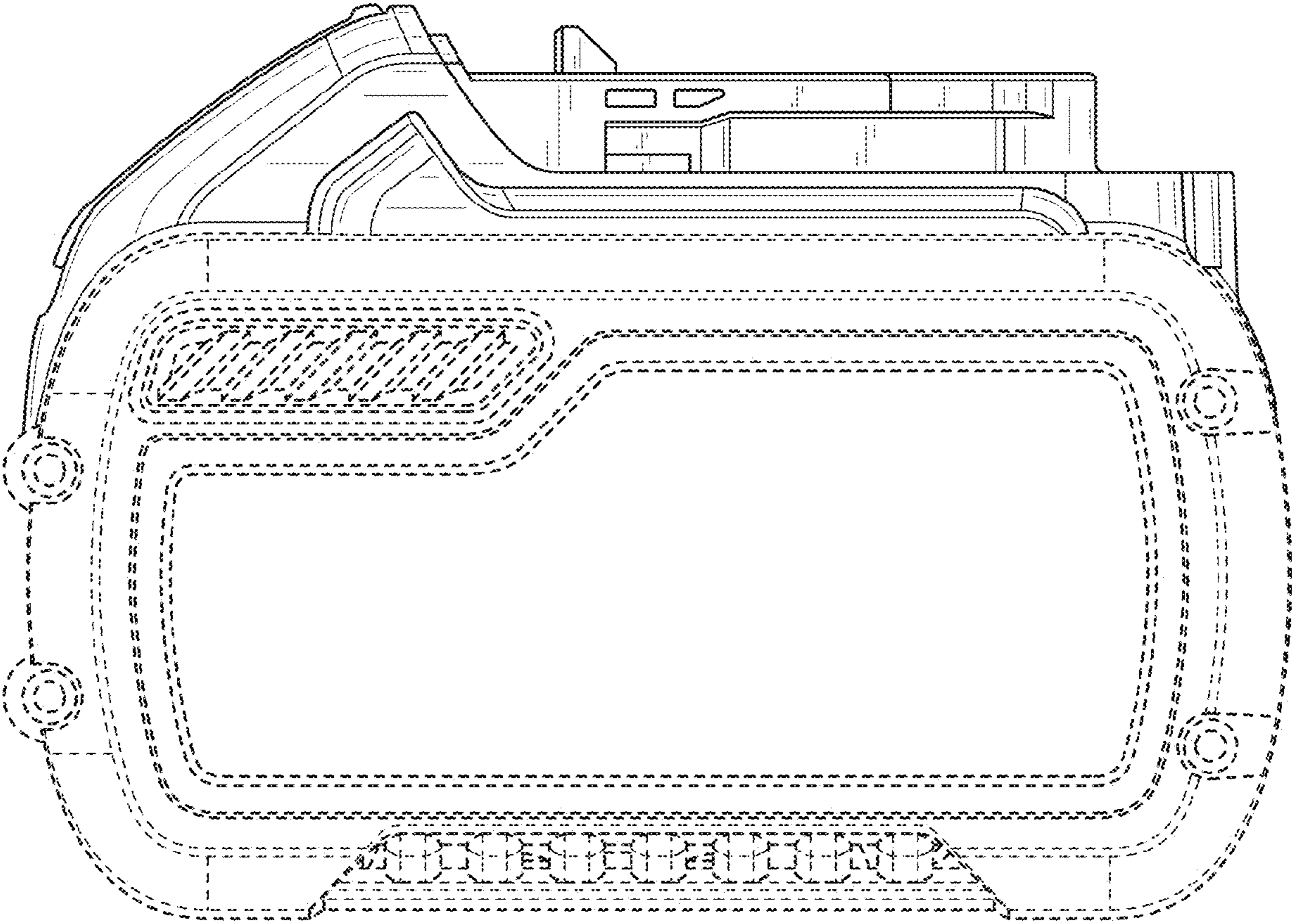


Fig. 1

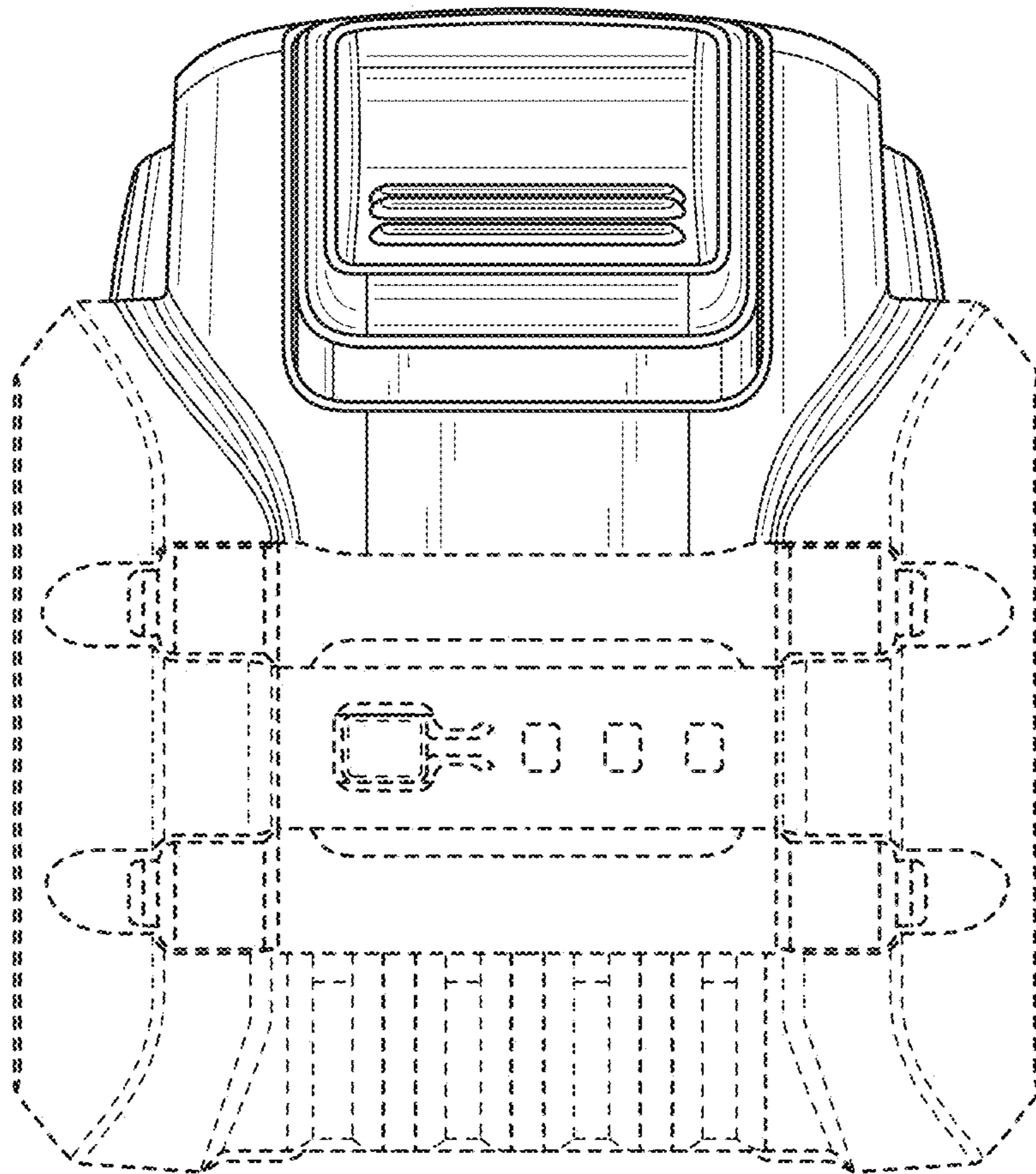


Fig. 2

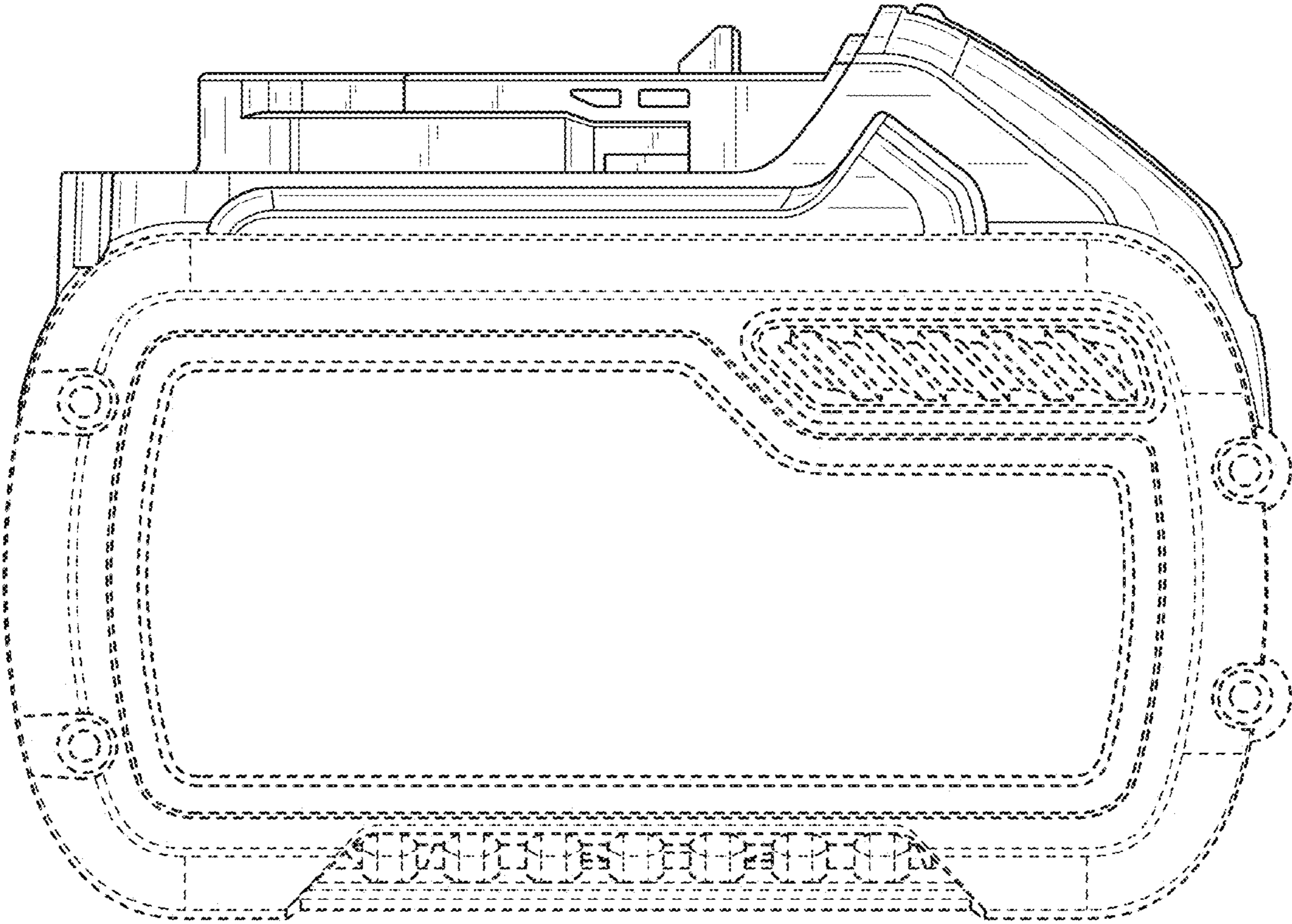


Fig. 3

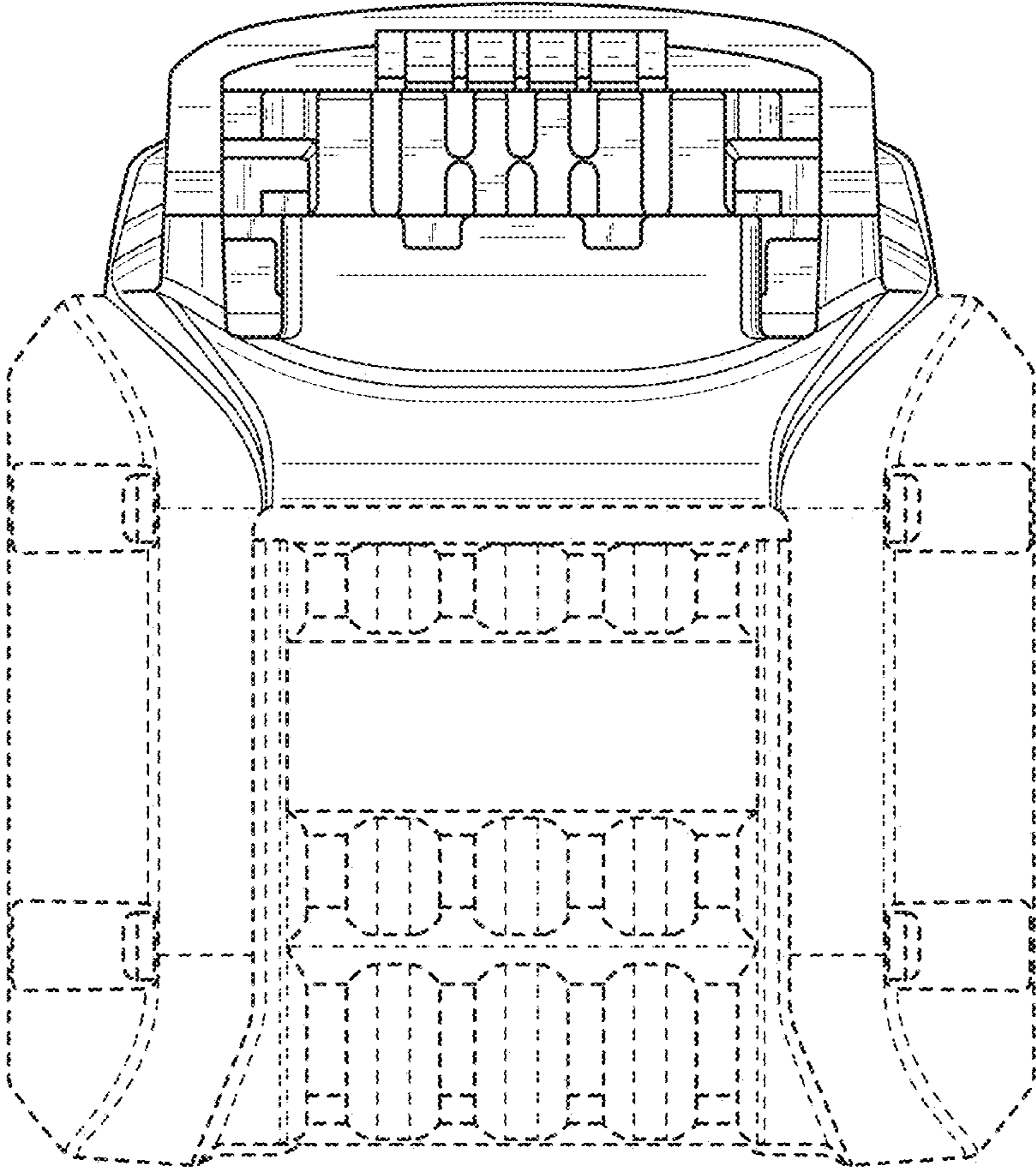


Fig. 4

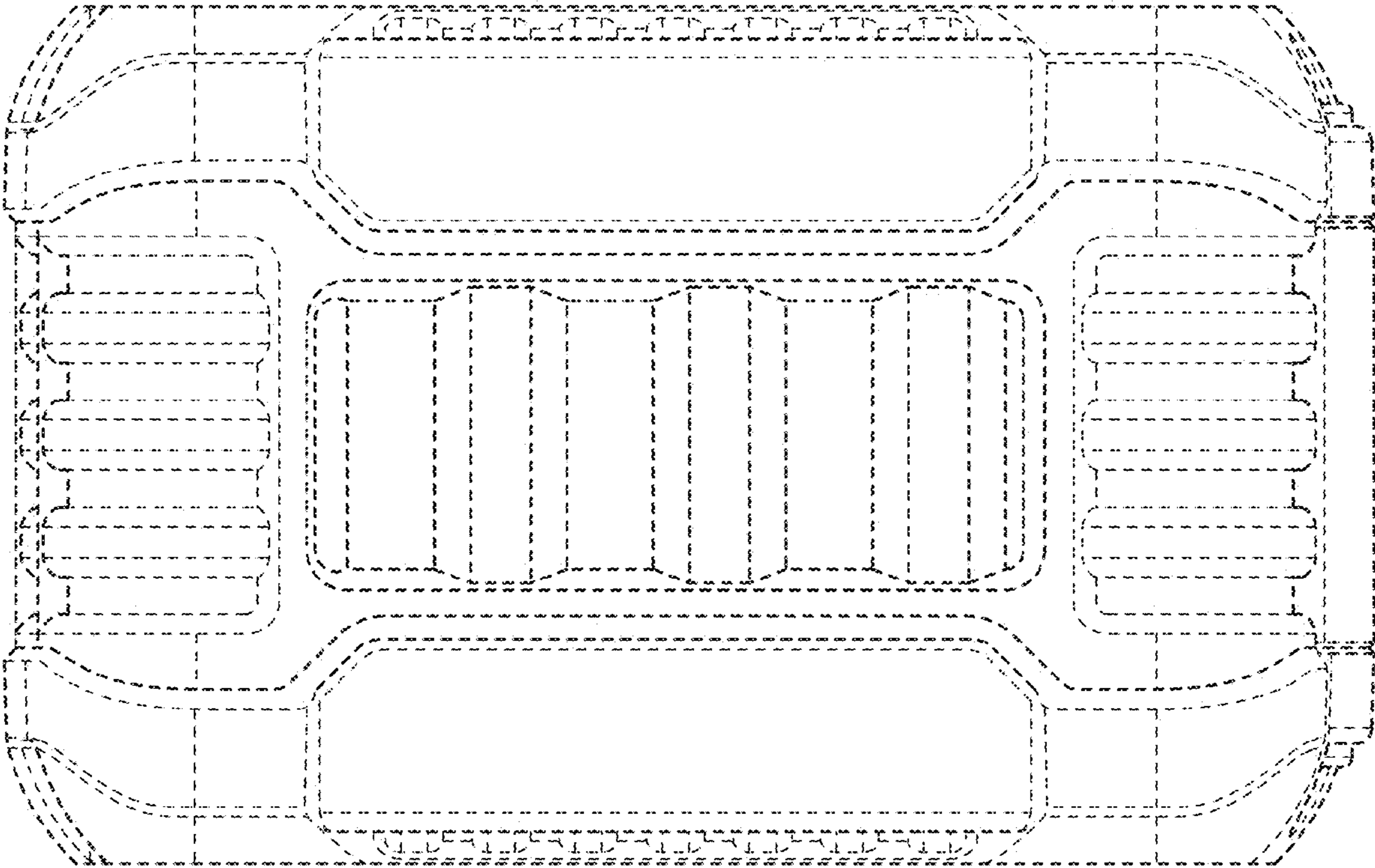


Figure 5

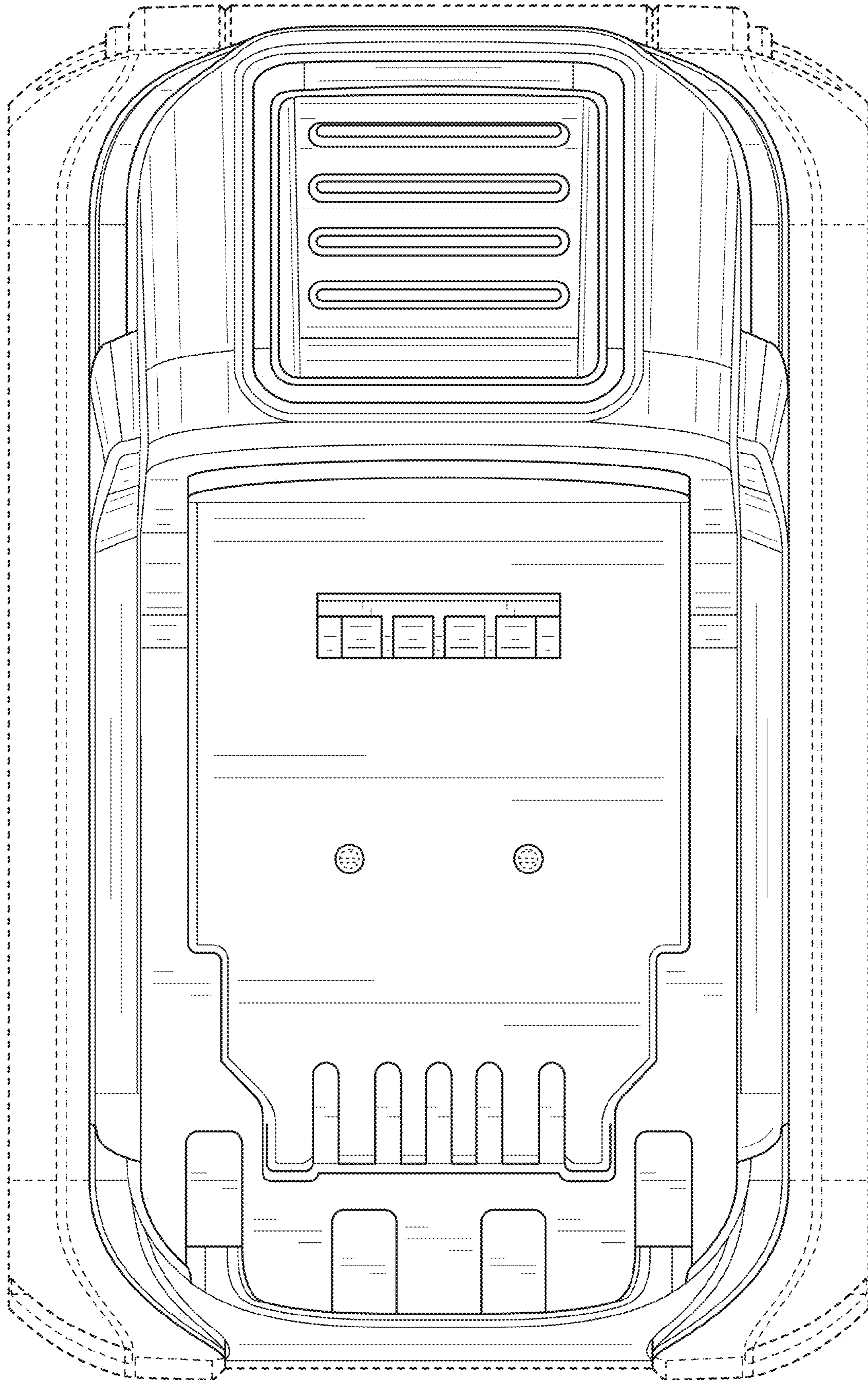


Figure 6

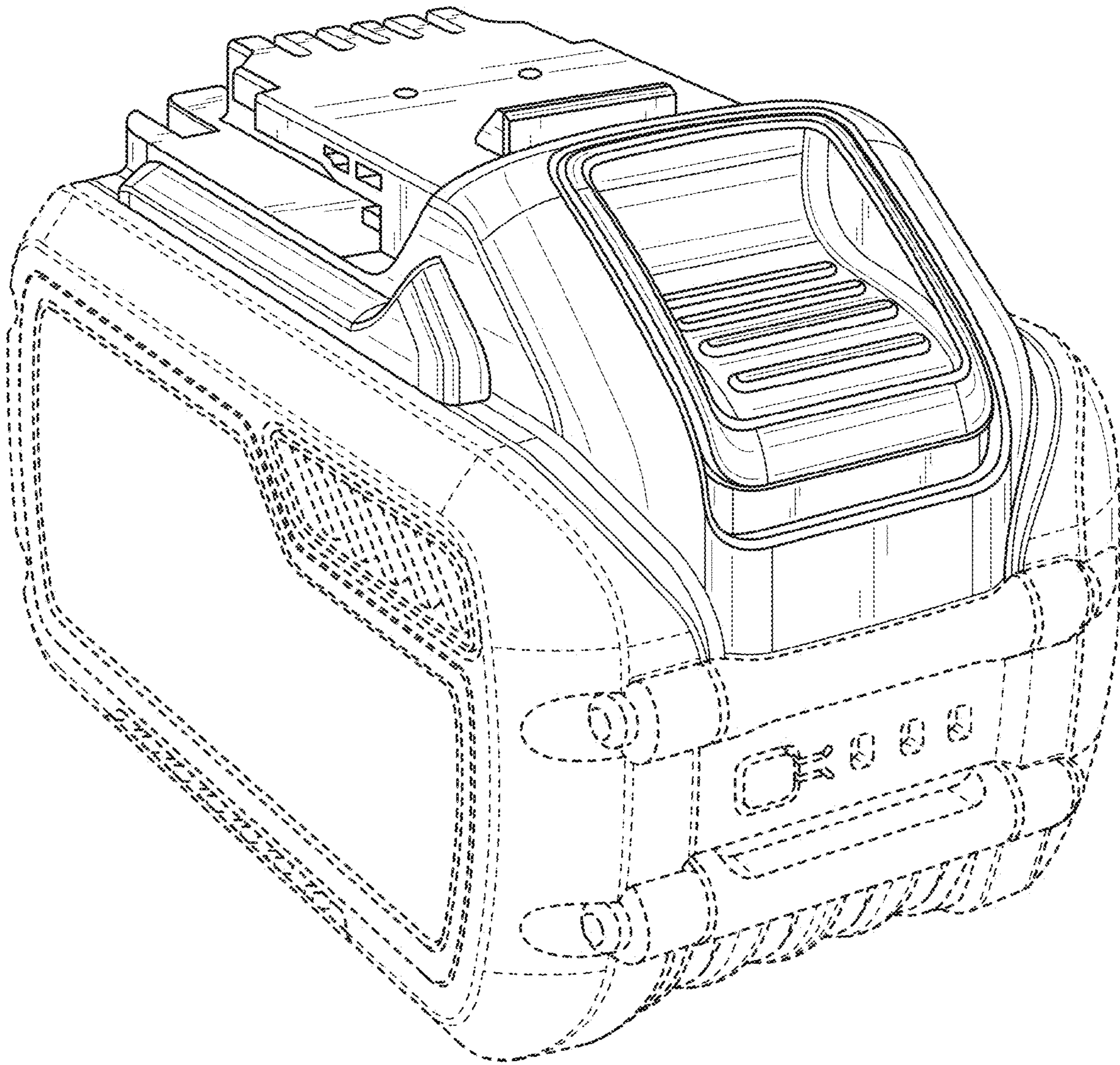


Fig. 7

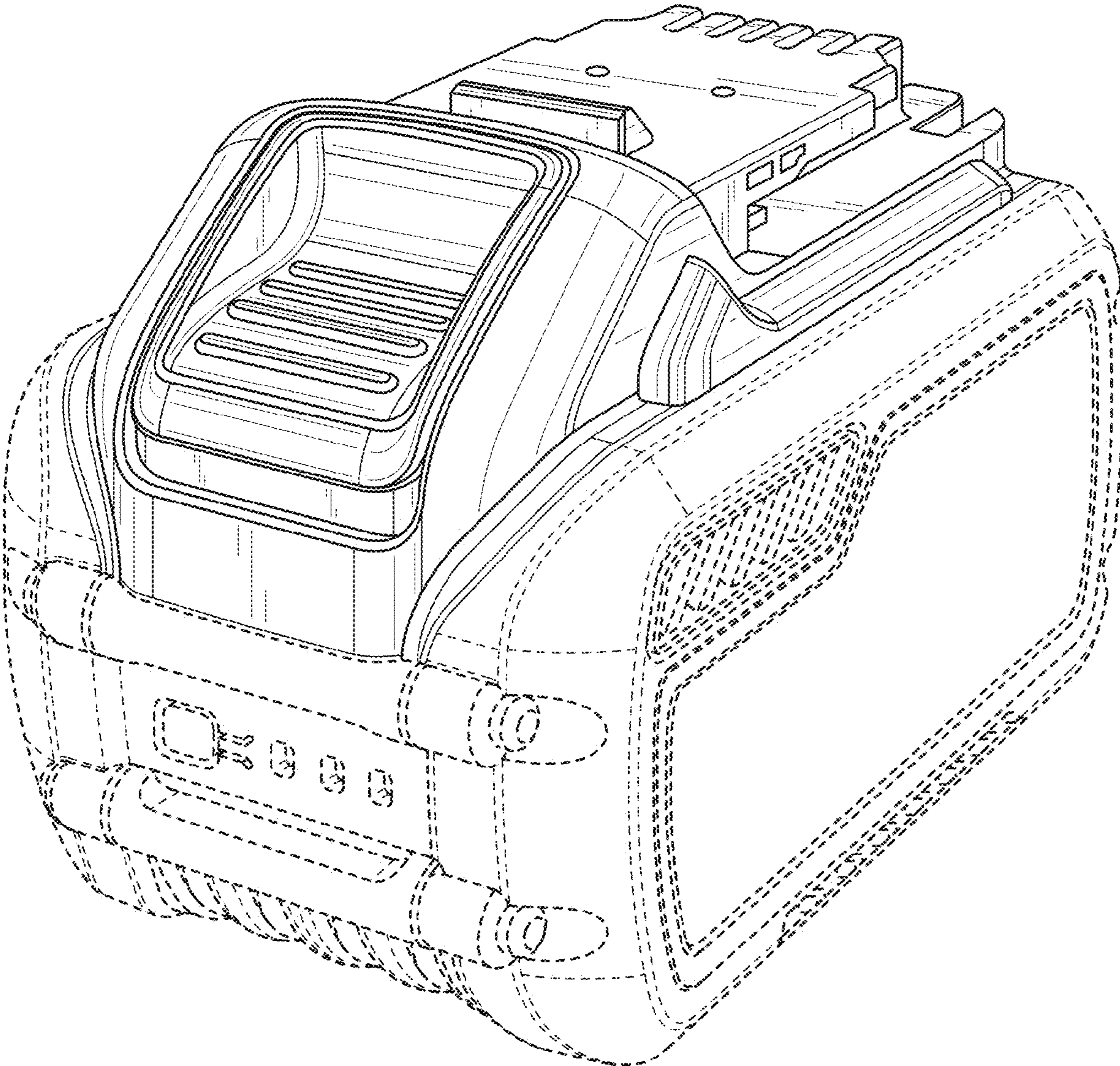


Fig. 8

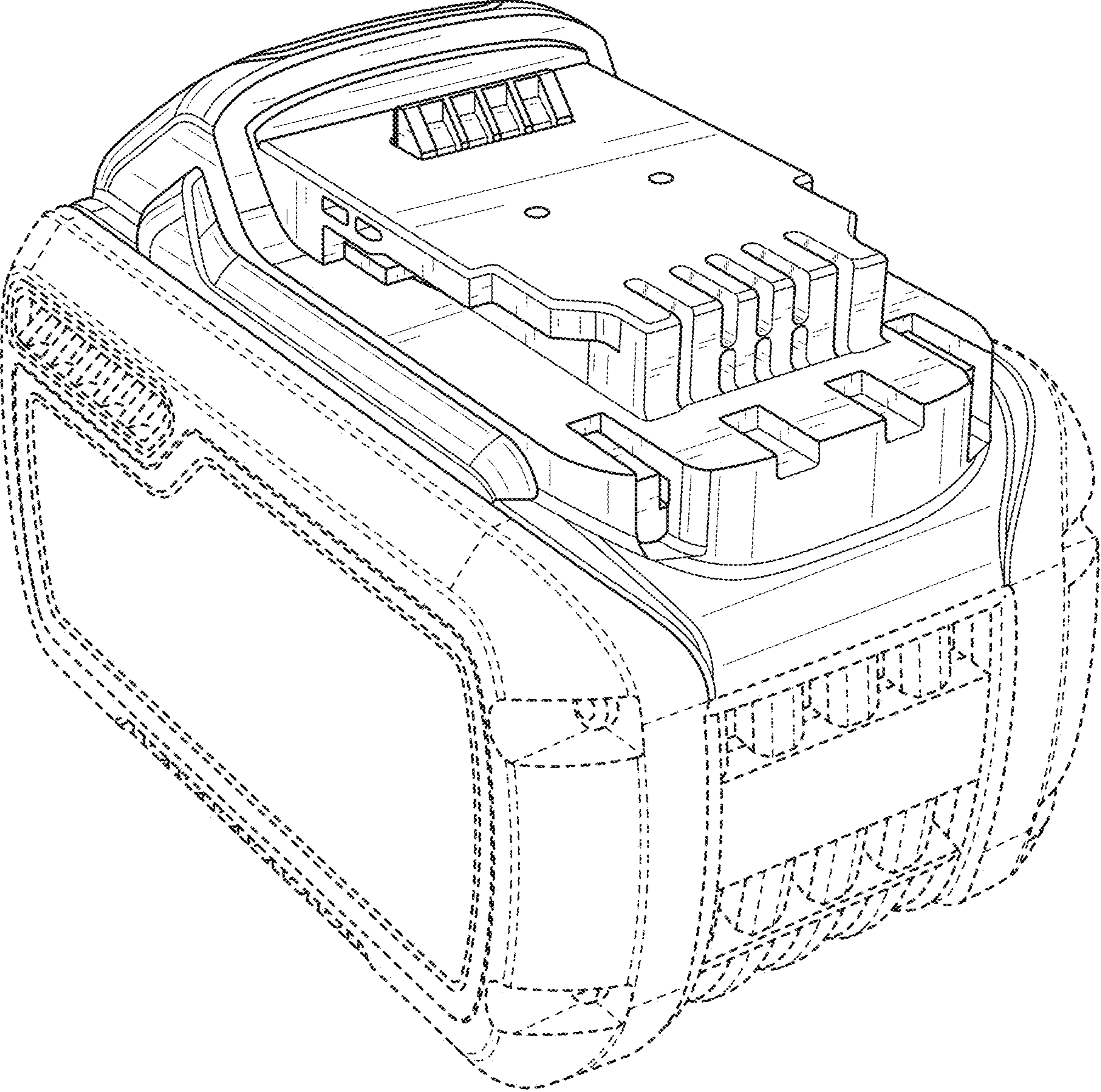


Fig. 9

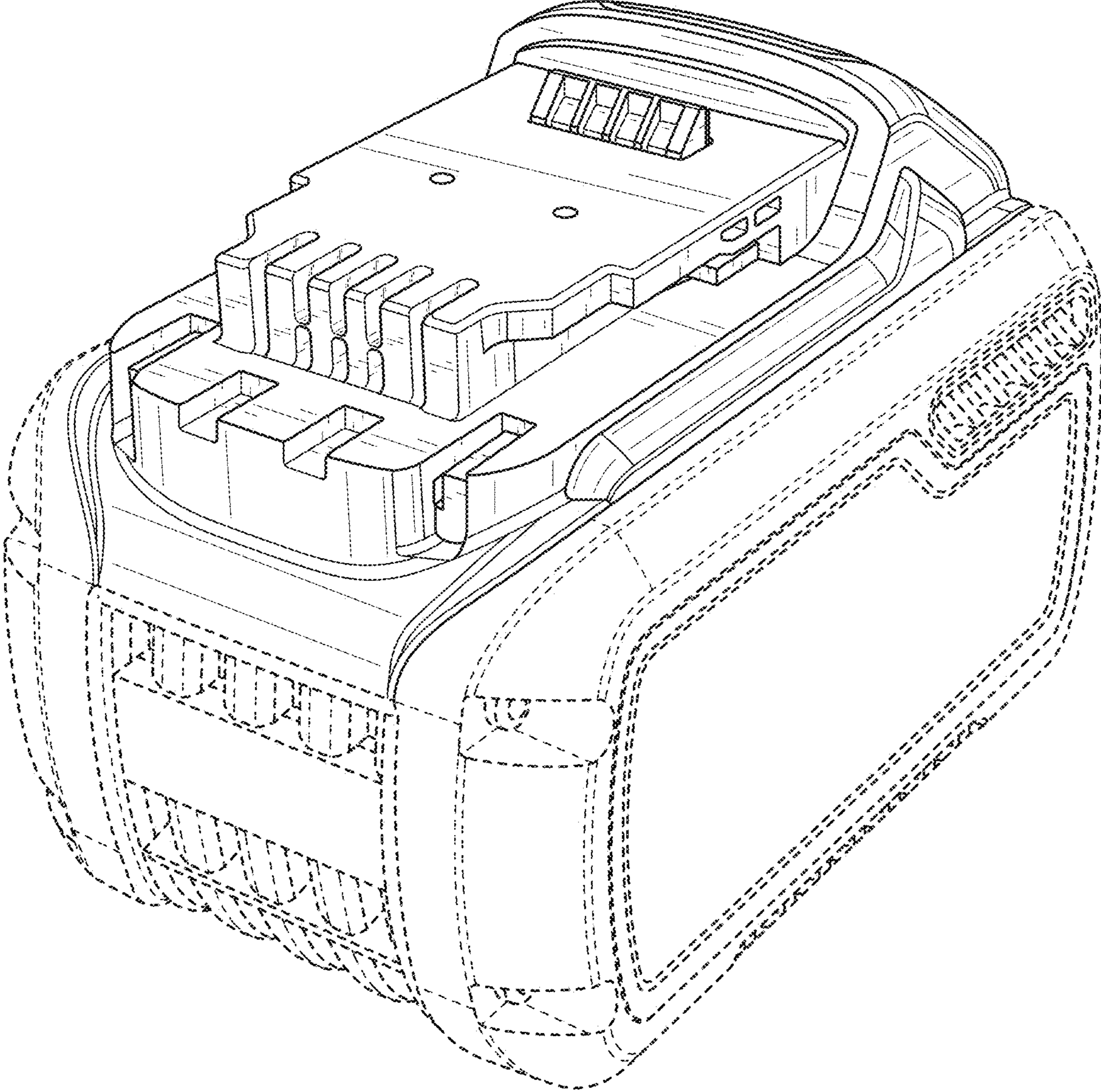


Fig. 10

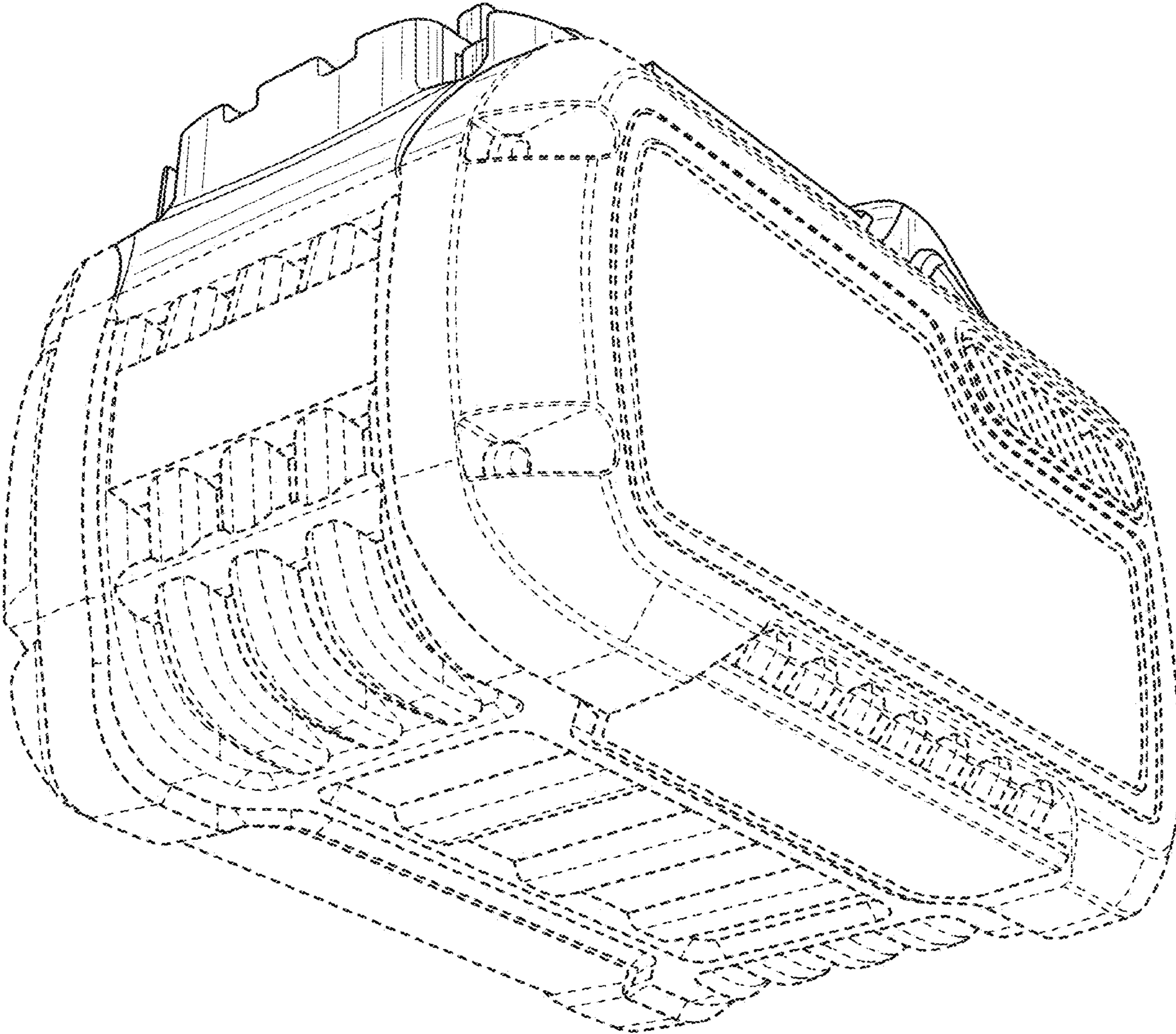


Fig. 11

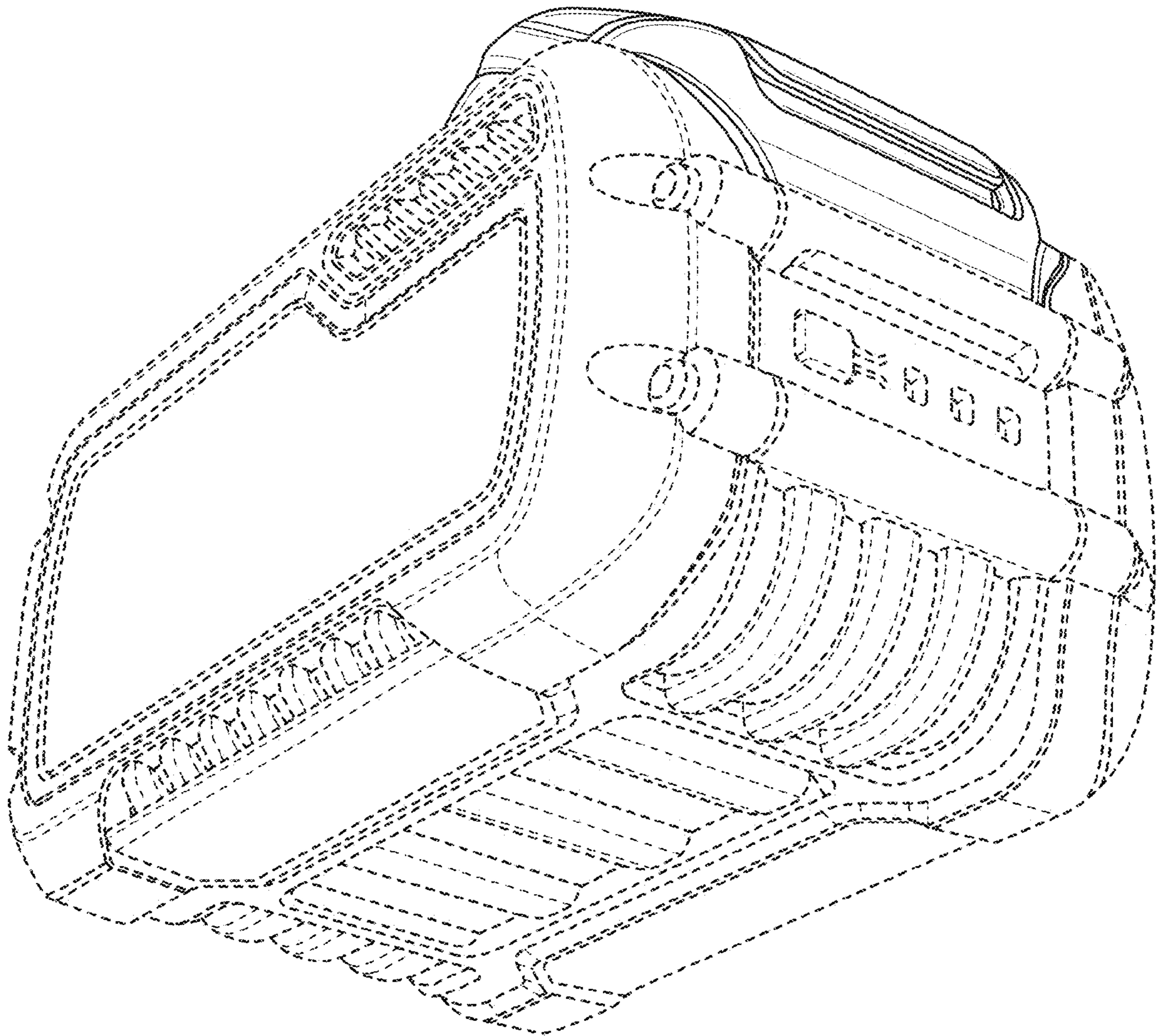


Fig. 12

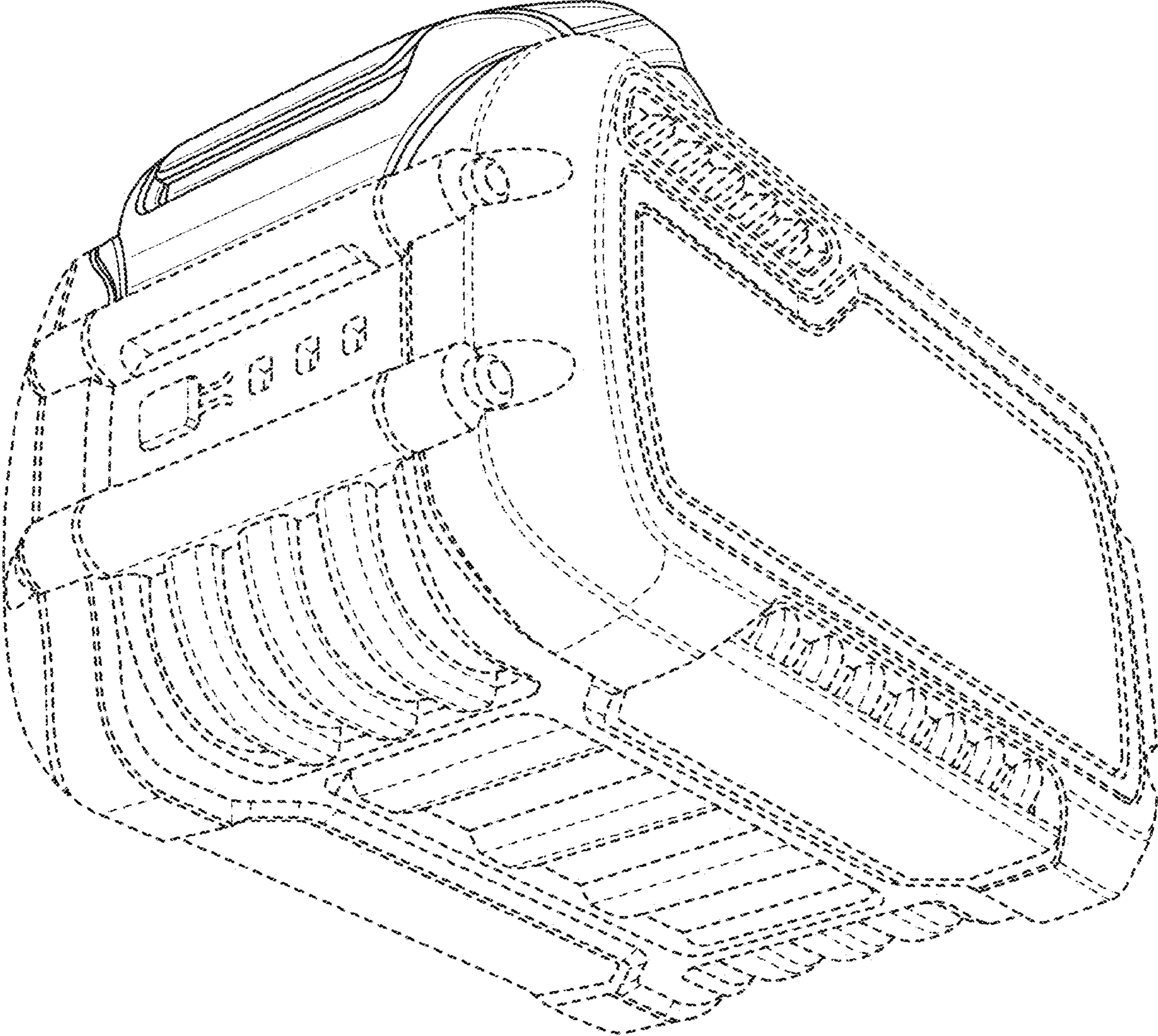


Fig. 13

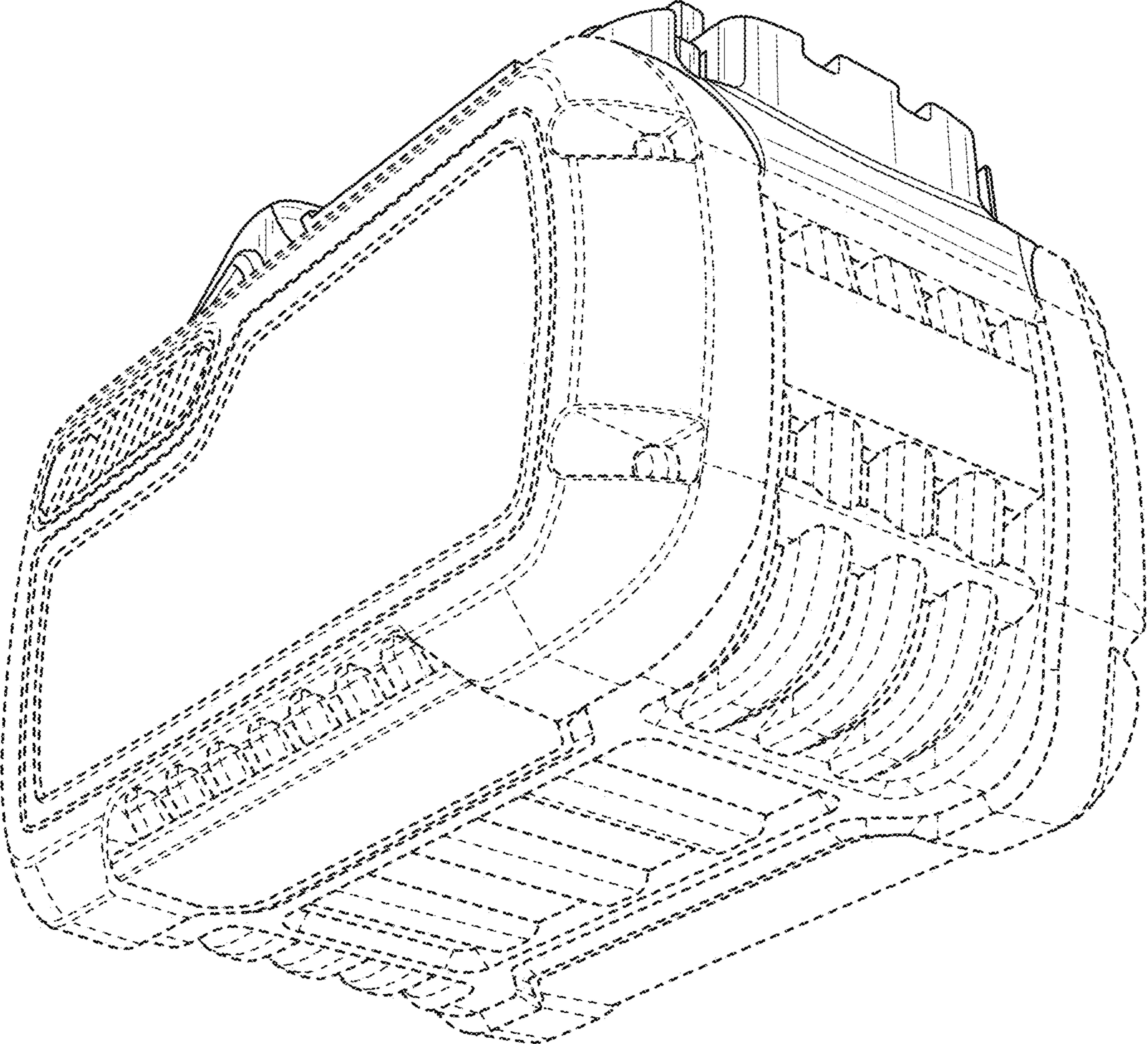


Fig. 14