



US00D881118S

(12) **United States Design Patent**  
**Hou**

(10) **Patent No.:** **US D881,118 S**

(45) **Date of Patent:** **\*\* Apr. 14, 2020**

(54) **METAL-AIR FUEL CELL**

6,296,963 B1 \* 10/2001 Nanjo ..... H01M 8/2425  
429/458

(71) Applicant: **Shenzhen Shengtong New Energy Technology Co., Ltd., Shenzhen (CN)**

D612,806 S \* 3/2010 Yasumoto ..... D13/122

D616,819 S \* 6/2010 Ohara ..... D13/122

D623,135 S 9/2010 Yasumoto et al.

(72) Inventor: **Wudai Hou, Shenzhen (CN)**

D642,118 S 7/2011 Uneo

D652,795 S \* 1/2012 Attanasio ..... D13/118

(\*\*) Term: **15 Years**

D708,134 S \* 7/2014 Druker ..... D13/110

D708,568 S 7/2014 Fujita et al.

(21) Appl. No.: **29/710,704**

\* cited by examiner

(22) Filed: **Oct. 25, 2019**

*Primary Examiner* — Derrick E Holland

(51) **LOC (12) Cl.** ..... **13-02**

(74) *Attorney, Agent, or Firm* — HYIP

(52) **U.S. Cl.**

USPC ..... **D13/101**

(58) **Field of Classification Search**

USPC ..... D13/101, 118, 122, 133, 184, 199;  
356/432, 436, 437; 422/28, 37, 129, 139,  
422/140, 141, 145, 236; 423/477, 478;  
376/220, 228, 230, 347

CPC ..... H01M 8/02; H01M 8/04; H01M 8/1007;  
H01M 8/04014; H01M 8/04044; H01M  
8/04089; H01M 8/04201; H01M 8/04932;  
H01M 8/2432; H01M 8/2425; H01M  
8/2484; H01M 8/2457; H01M 2250/20;  
H01M 2008/1293; H01M 2300/0074;  
B01J 47/14; Y02T 90/32

See application file for complete search history.

(57) **CLAIM**

The ornamental design for a metal-air fuel cell, as shown and described.

**DESCRIPTION**

FIG. 1 is a first perspective view of a metal-air fuel cell showing my new design;

FIG. 2 is a second perspective view thereof;

FIG. 3 is a front view thereof;

FIG. 4 is a back view thereof;

FIG. 5 is a left side view thereof;

FIG. 6 is a right side view thereof;

FIG. 7 is a top view thereof; and,

FIG. 8 is a bottom view thereof.

The broken lines shown in the drawings depict portions of the metal-air fuel cell in which the design is embodied that form no part of the claimed design.

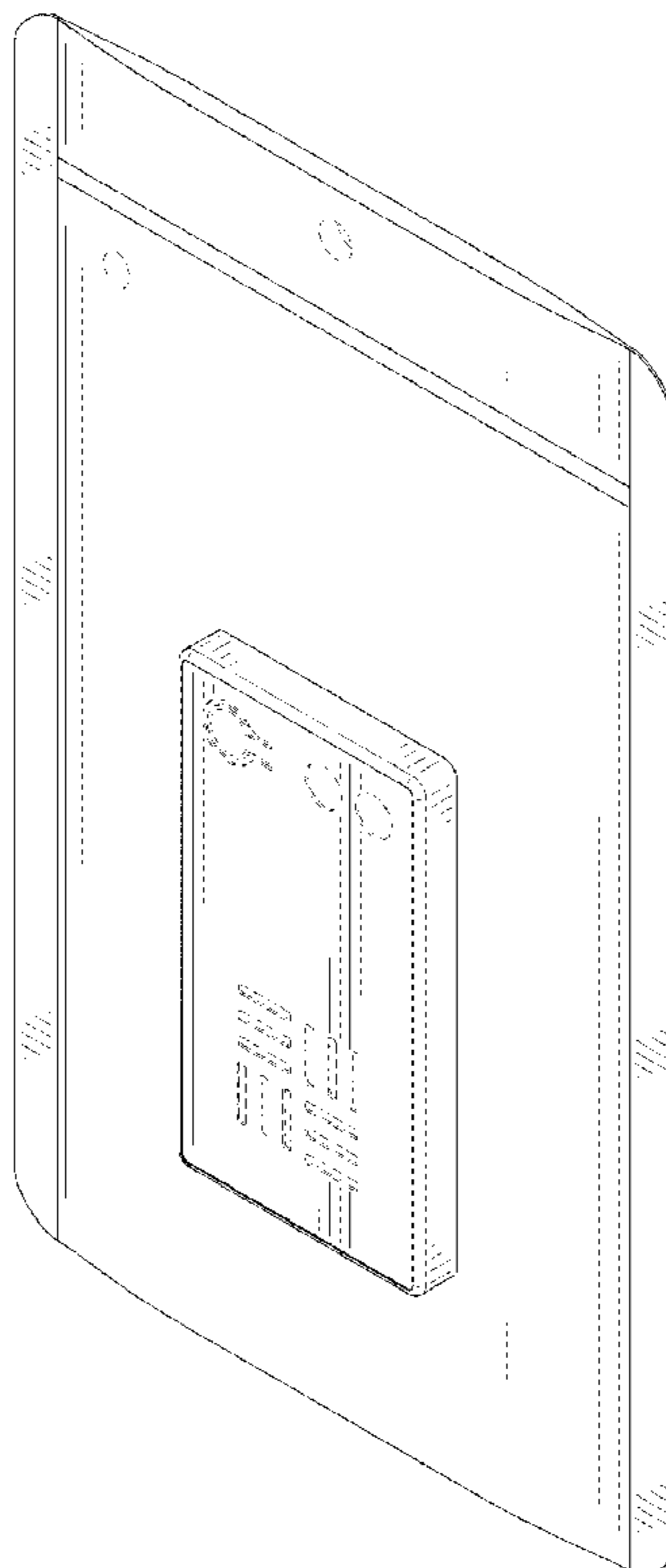
(56) **References Cited**

**U.S. PATENT DOCUMENTS**

4,895,774 A \* 1/1990 Ohzu ..... H01M 8/142  
429/478

5,811,202 A \* 9/1998 Petraglia ..... H01M 8/0247  
429/459

**1 Claim, 8 Drawing Sheets**



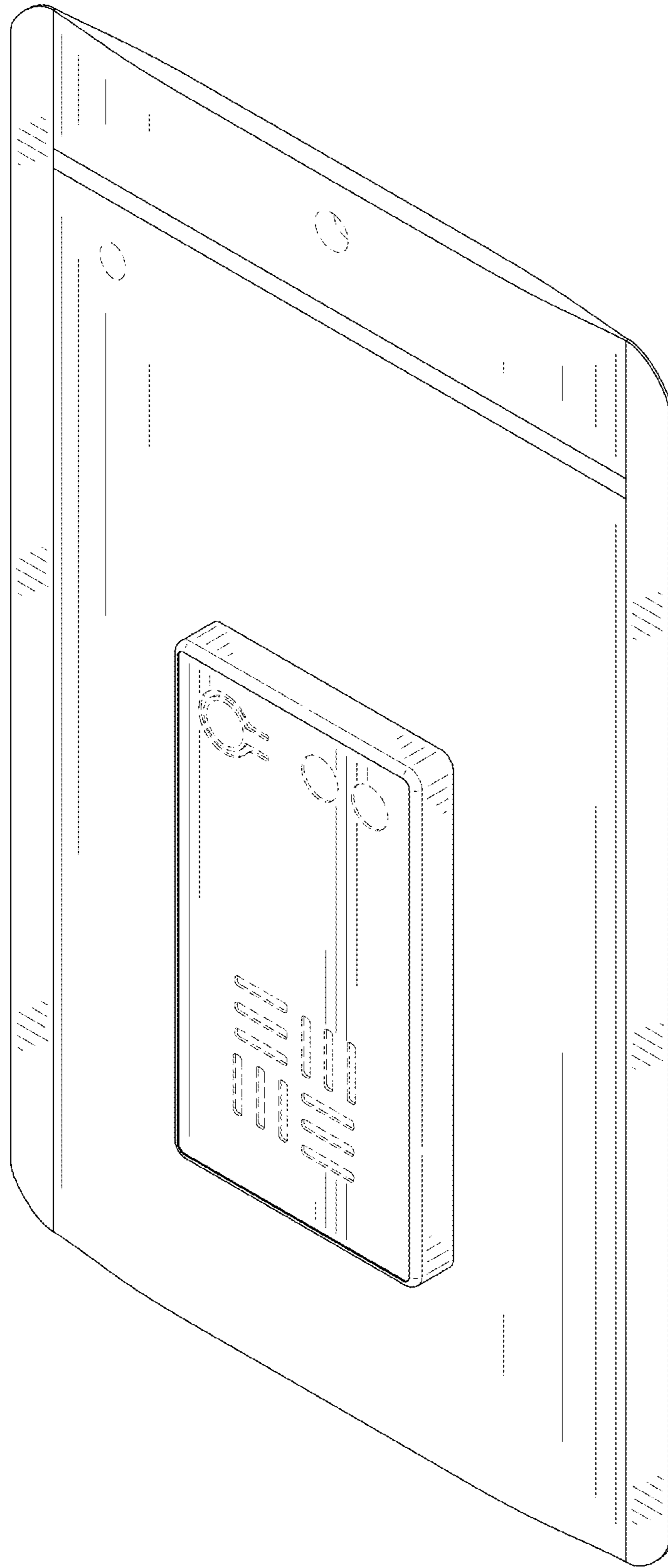


FIG. 1

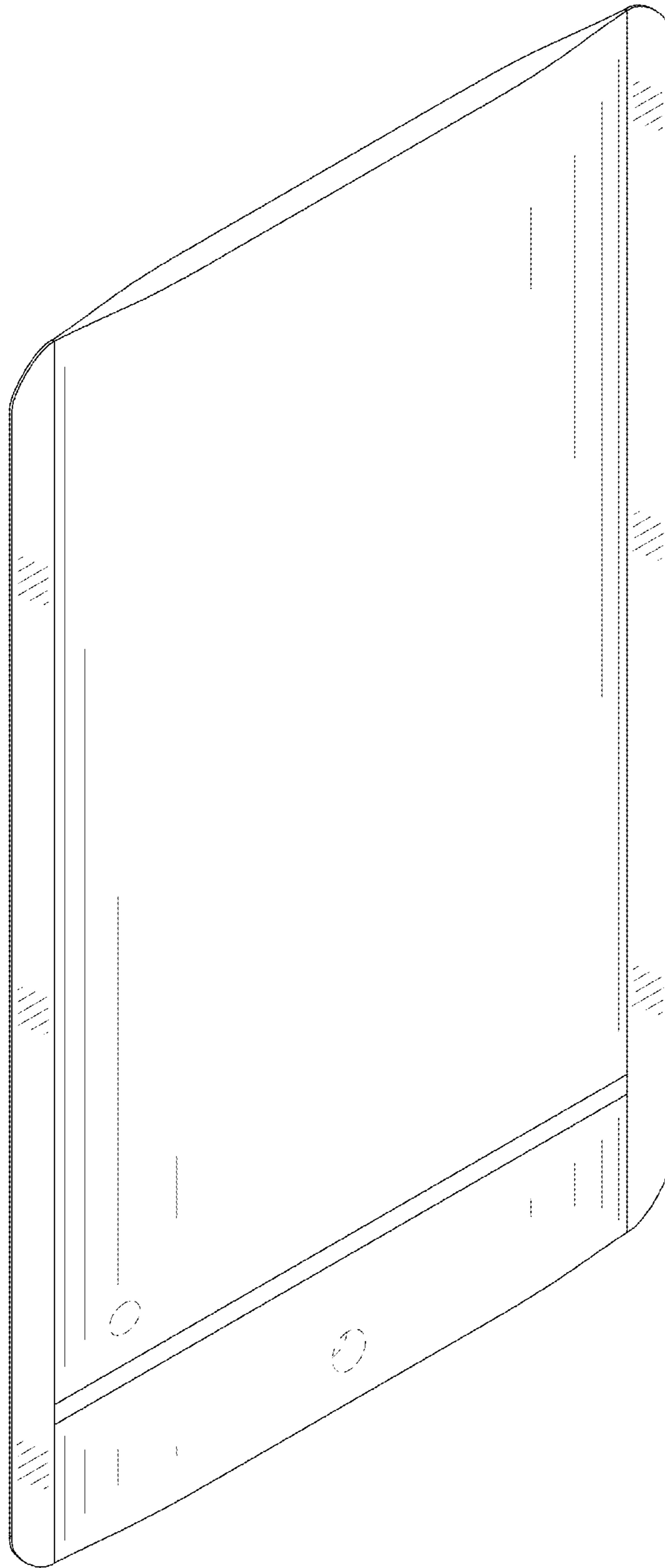


FIG. 2

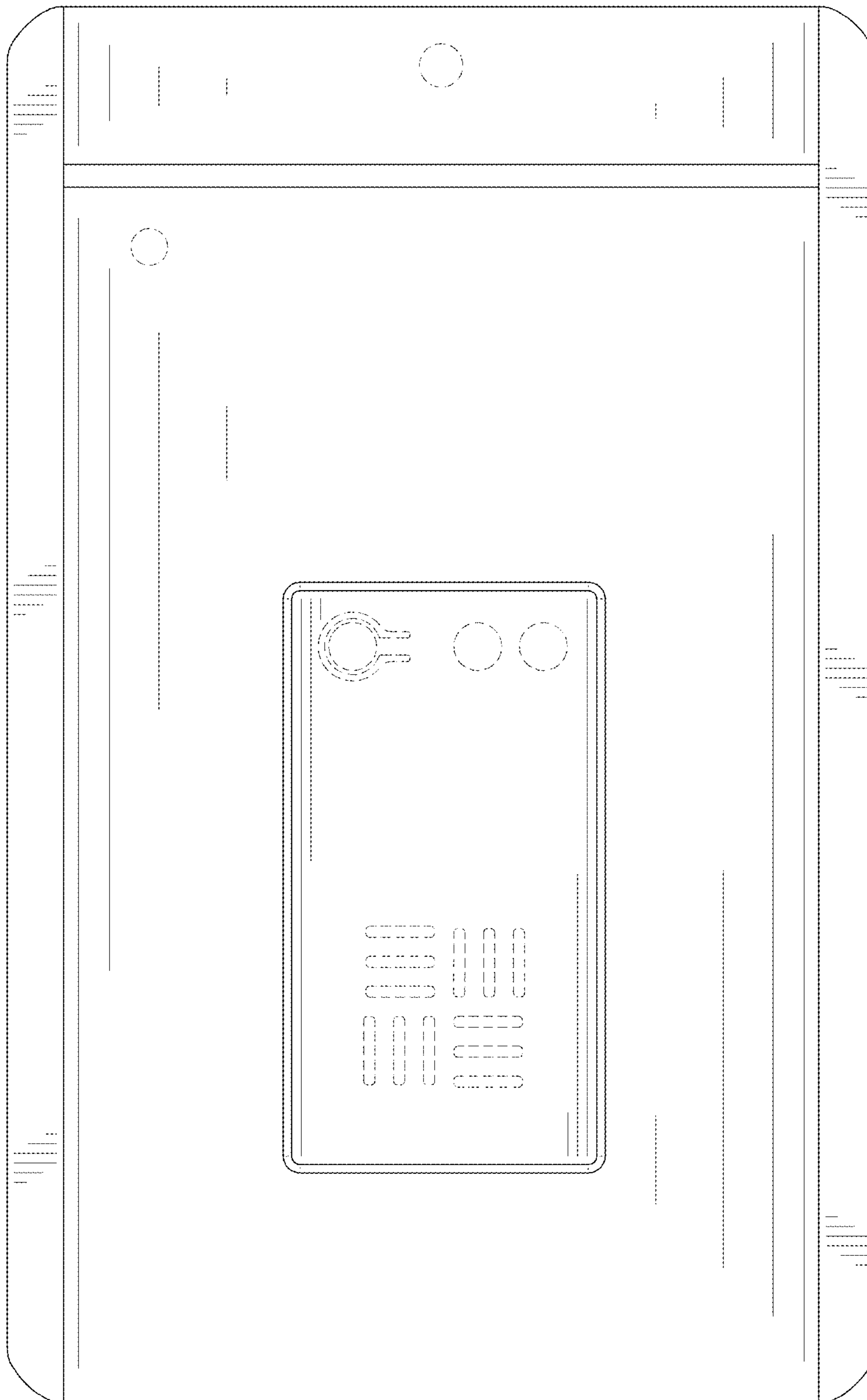


FIG. 3

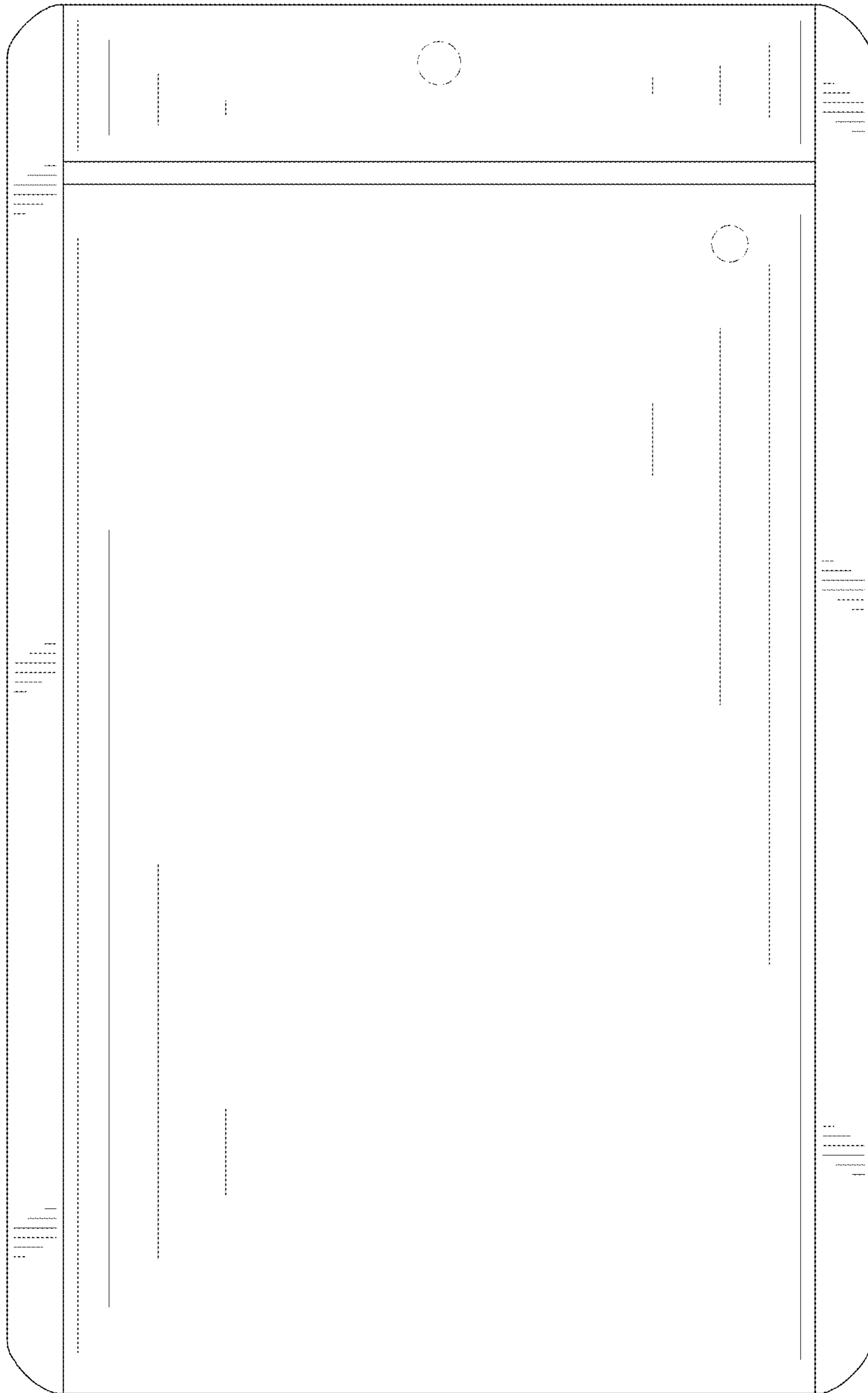


FIG. 4

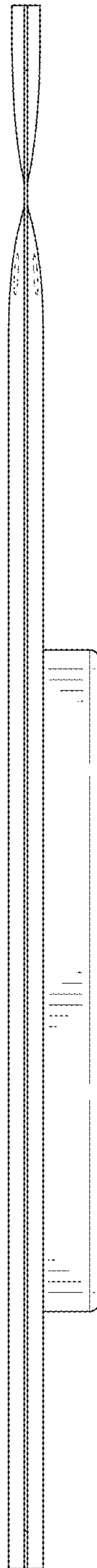


FIG. 5

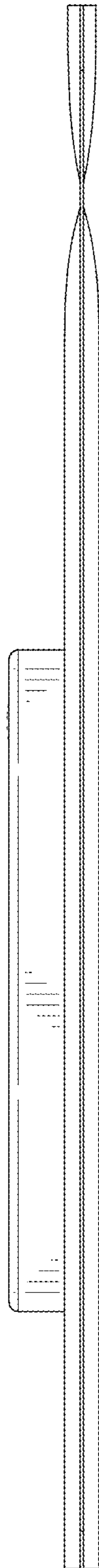


FIG. 6

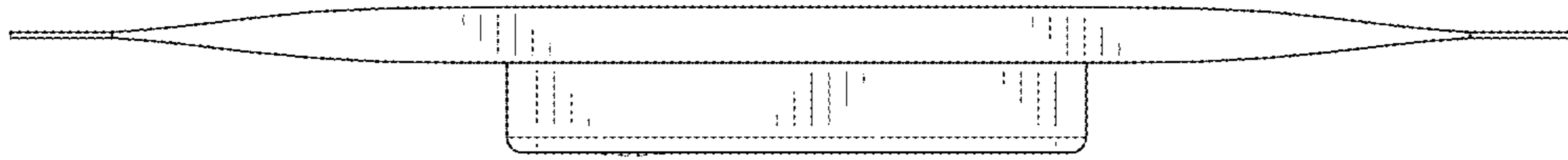


FIG. 7



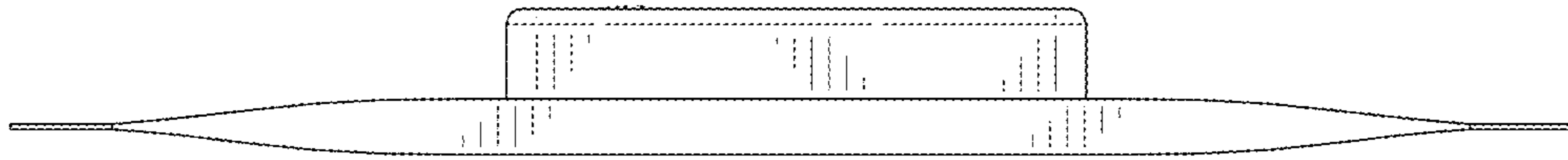


FIG. 8