



US00D881116S

(12) **United States Design Patent**
Sato et al.

(10) **Patent No.:** **US D881,116 S**

(45) **Date of Patent:** **** Apr. 14, 2020**

(54) **AUTOMOBILE TIRE**

(71) Applicant: **THE YOKOHAMA RUBBER CO., LTD.**, Minato-ku, Tokyo (JP)

(72) Inventors: **Kenichi Sato**, Tokyo (JP); **Toyoaki Endo**, Hiratsuka (JP); **Daigen Tsunekawa**, Hiratsuka (JP)

(73) Assignee: **The Yokohama Rubber Co., Ltd.**, Tokyo (JP)

(**) Term: **15 Years**

(21) Appl. No.: **29/670,340**

(22) Filed: **Nov. 15, 2018**

(30) **Foreign Application Priority Data**

May 17, 2018 (JP) 2018-010883

(51) **LOC (12) Cl.** **12-15**

(52) **U.S. Cl.**
USPC **D12/605**

(58) **Field of Classification Search**
USPC D12/604, 605
CPC B60C 13/00; B60C 1/00
See application file for complete search history.

(56) **References Cited**

U.S. PATENT DOCUMENTS

D540,250 S *	4/2007	Shondel	D12/605
D569,792 S *	5/2008	Holden	D12/605
D574,320 S *	8/2008	Dixon	D12/605
D585,018 S *	1/2009	Shondel	D12/605
D588,529 S *	3/2009	Reese	D12/605
D588,532 S *	3/2009	Shondel	D12/605
D593,487 S *	6/2009	Takahashi	D12/605
D602,427 S *	10/2009	Takahashi	D12/605
D628,959 S *	12/2010	Harvey	D12/605
D638,783 S *	5/2011	Endou	D12/605
D656,089 S *	3/2012	Miyazaki	D12/605

D656,090 S *	3/2012	Sato	D12/605
D667,369 S *	9/2012	Fontaine	D12/605
D680,490 S *	4/2013	Iwabuchi	D12/605
D700,886 S *	3/2014	Matsumoto	D12/605

(Continued)

FOREIGN PATENT DOCUMENTS

JP	D1240110 S	5/2005
JP	D1302700 S	6/2007

(Continued)

Primary Examiner — Michelle E. Wilson

Assistant Examiner — Clese Moore, Jr.

(74) *Attorney, Agent, or Firm* — RatnerPrestia

(57) **CLAIM**

The ornamental design for an automobile tire, as shown and described.

DESCRIPTION

FIG. 1 is a perspective view of an automobile tire showing our new design;

FIG. 2 is a front view thereof;

FIG. 3 is a rear view thereof;

FIG. 4 is an enlarged fragmental perspective view taken along lines 4-4 in FIG. 1;

FIG. 5 is an enlarged fragmental front view taken along lines 5-5 in FIG. 2;

FIG. 6 is an enlarged fragmental front view taken along lines 6-6 in FIG. 5;

FIG. 7 is an enlarged fragmental sectional view taken along lines 7-7 in FIG. 6;

FIG. 8 is a left side view thereof;

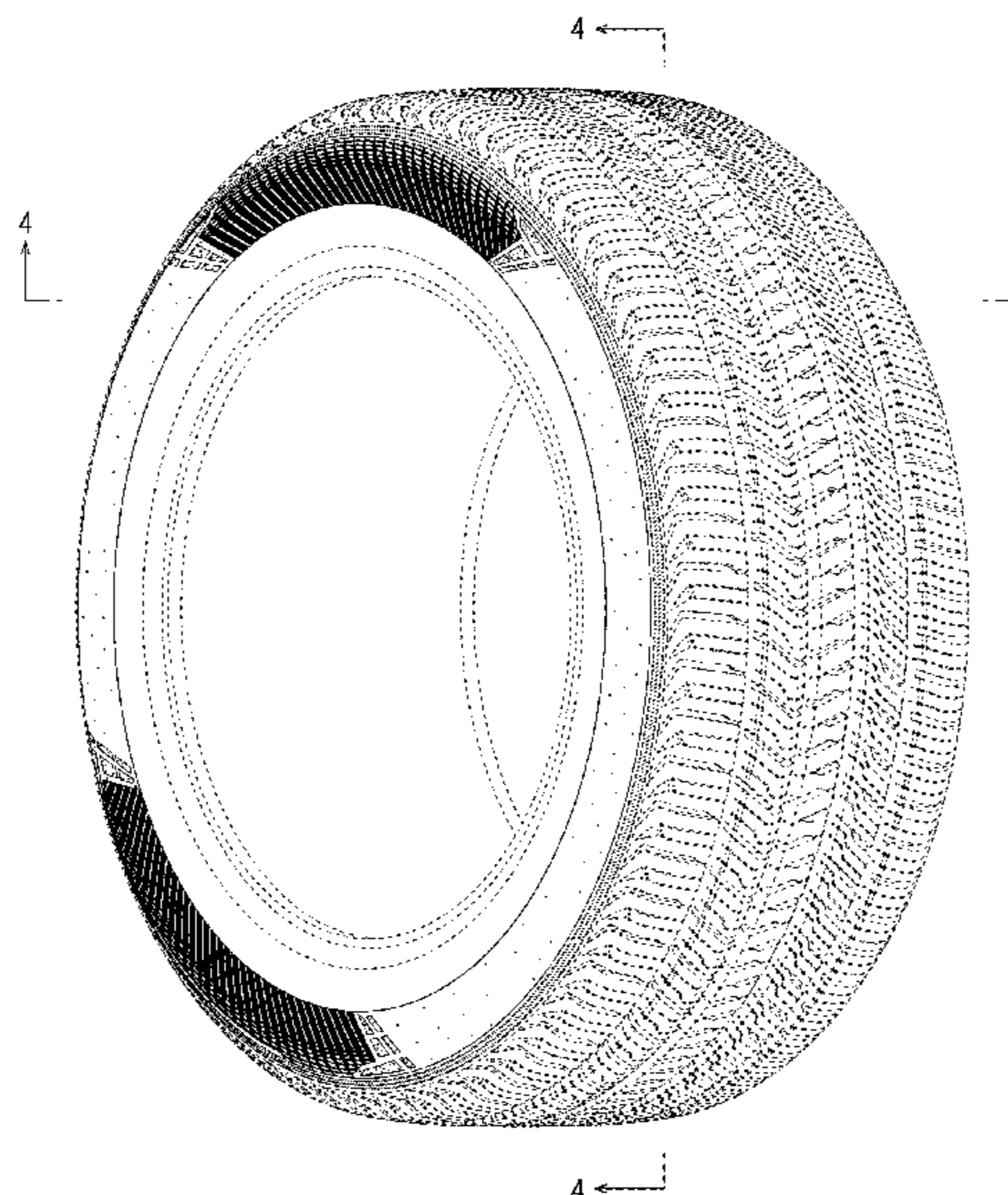
FIG. 9 is a right side view thereof;

FIG. 10 is a top plan view thereof; and,

FIG. 11 is a bottom plan view thereof.

The dashed broken lines in the drawings are for the purpose of illustrating unclaimed portions of the tire and form no part of the claimed design.

1 Claim, 7 Drawing Sheets



(56)

References Cited

U.S. PATENT DOCUMENTS

D707,621	S	*	6/2014	Tokizaki	D12/605
D739,344	S	*	9/2015	Kuwano	D12/605
D740,747	S	*	10/2015	Sato	D12/605
D777,658	S	*	1/2017	Taniguchi	D12/605
D806,642	S	*	1/2018	Kuwano	D12/605
D817,860	S	*	5/2018	Maxwell	D12/605
D829,643	S	*	10/2018	Mita	D12/605
D829,645	S	*	10/2018	Morita	D12/605

FOREIGN PATENT DOCUMENTS

JP	D1309758	S	9/2007
JP	D1498429	S	6/2014
JP	D1560233	S	10/2016
JP	D1561734	S	10/2016
JP	D1562669	S	11/2016
JP	D1607228	S	6/2018
KR	300904306	S	4/2017
KR	300904307	S	4/2017
KR	300950556	S	3/2018

* cited by examiner

FIG. 1

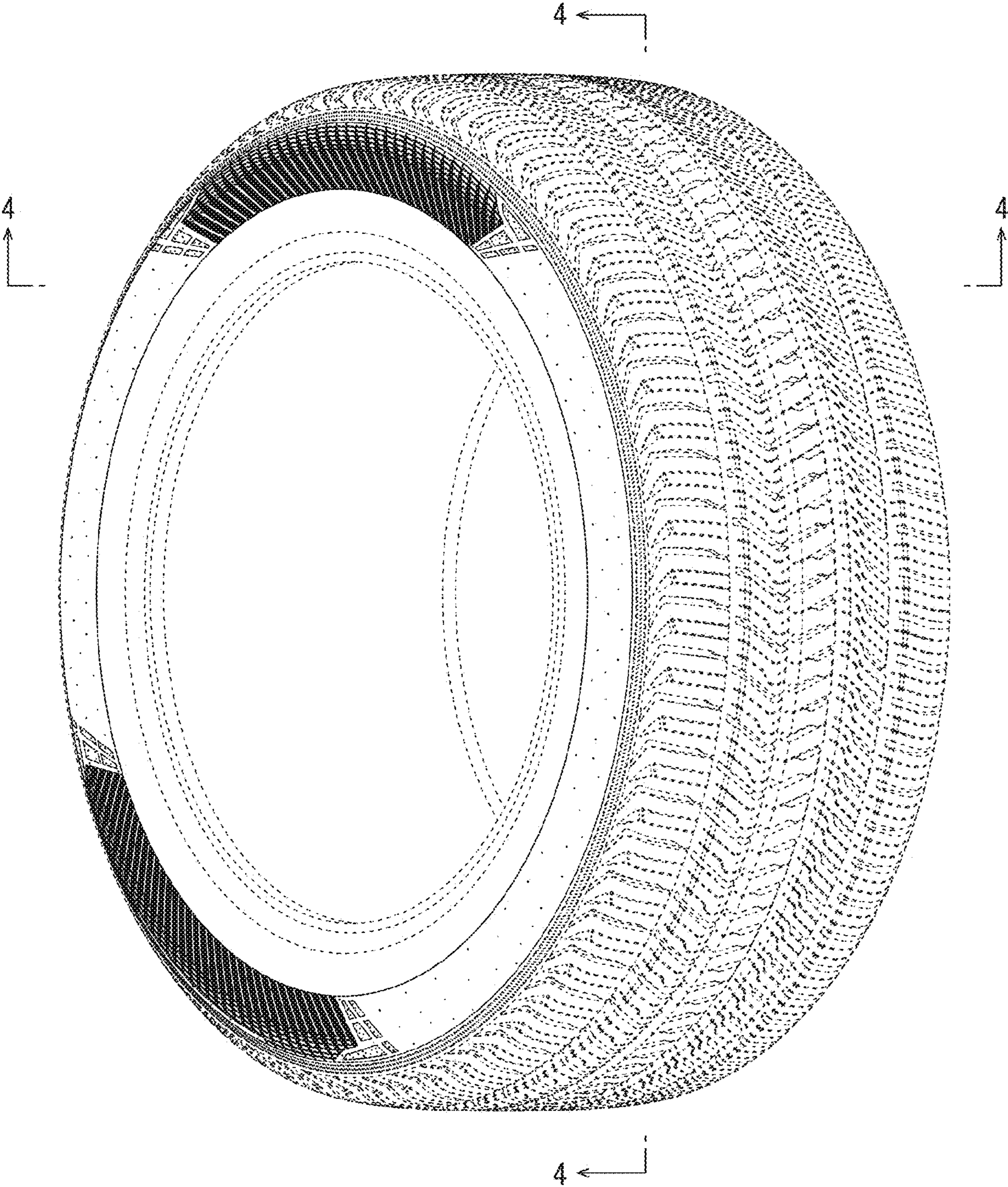


FIG. 2

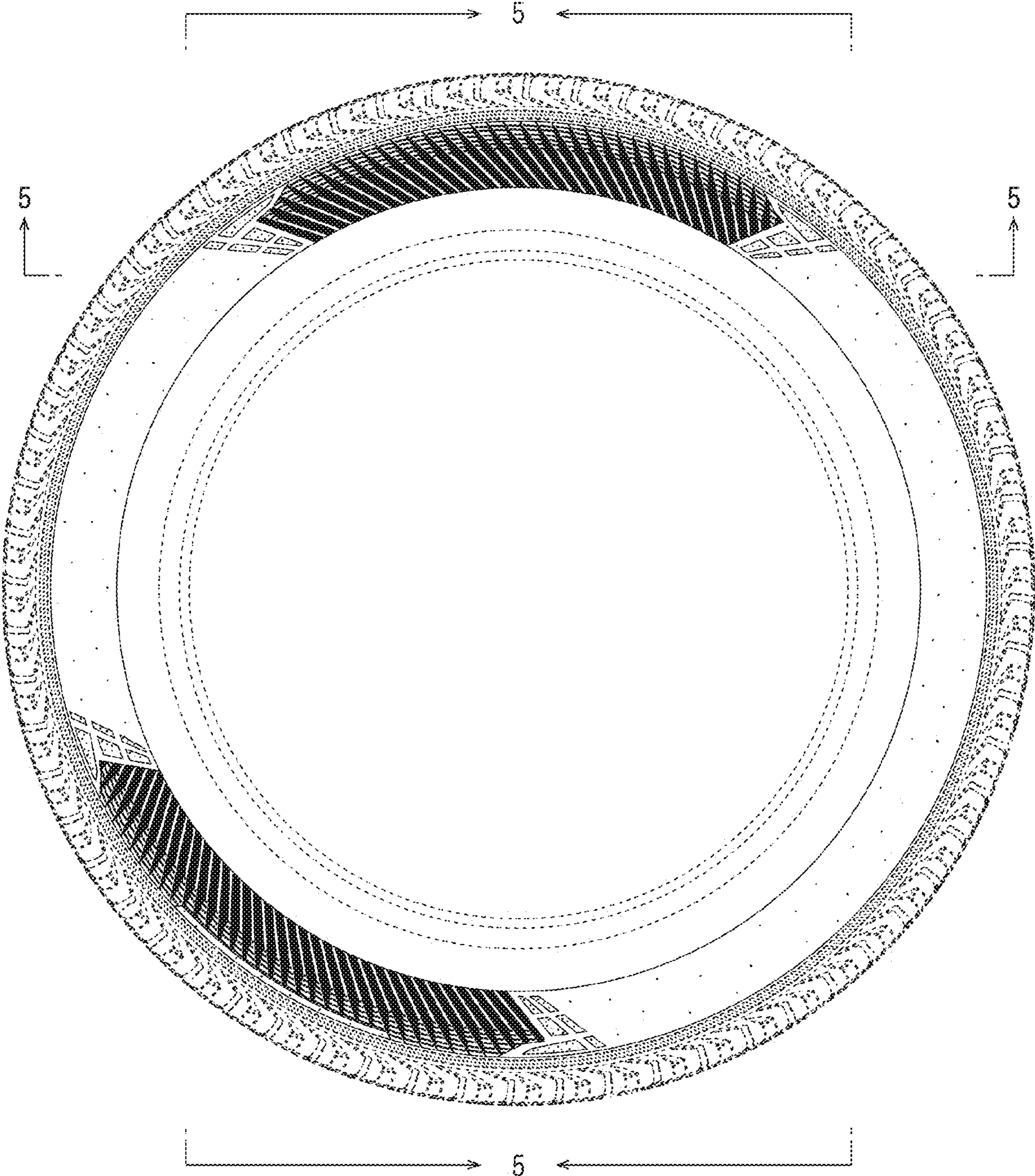


FIG. 3

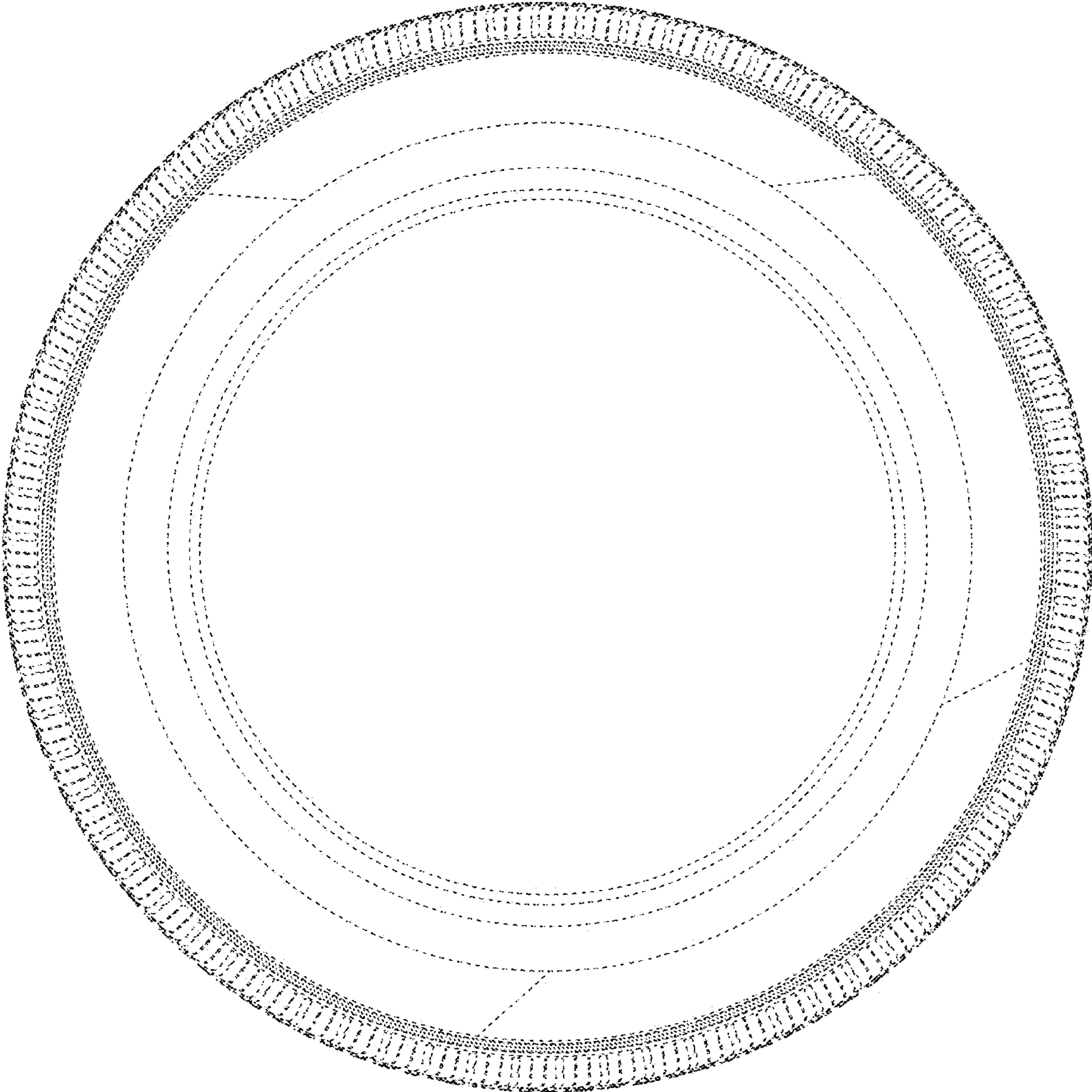


FIG. 4

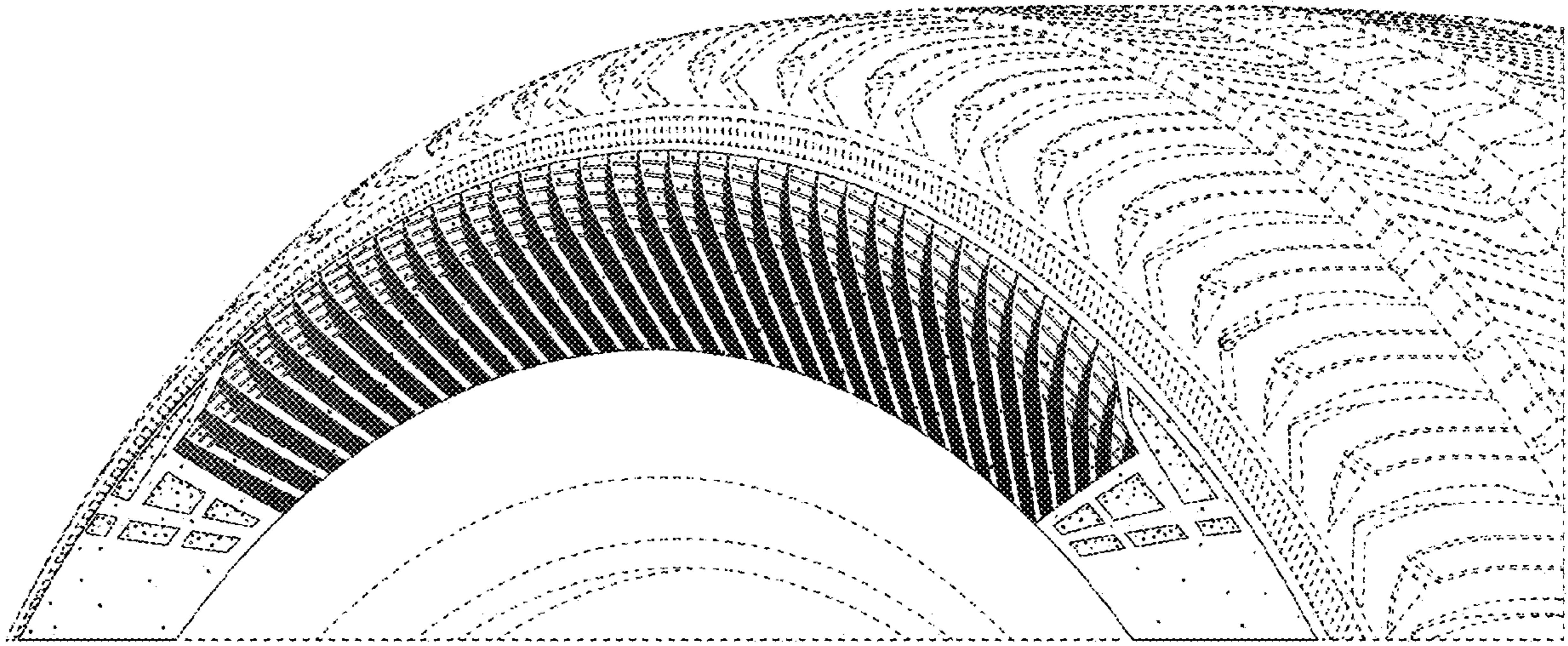


FIG. 5

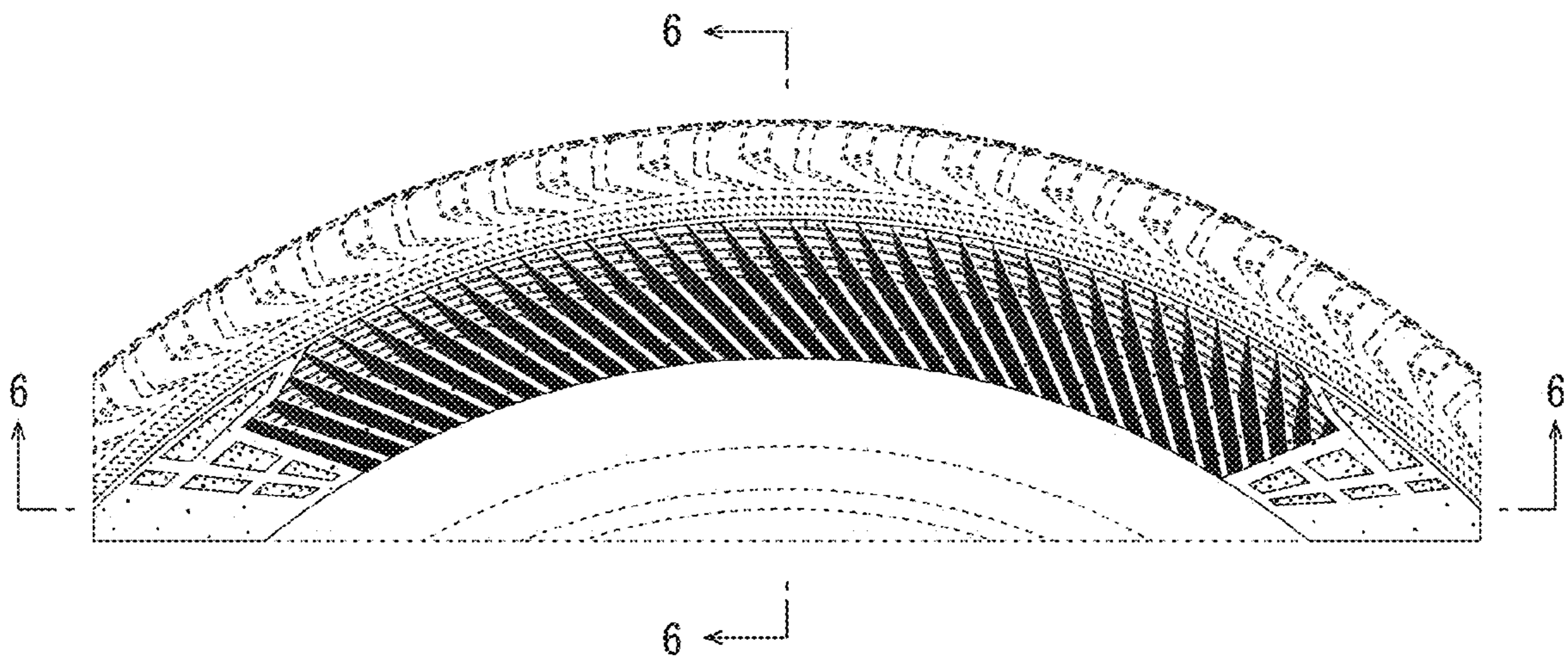


FIG. 6

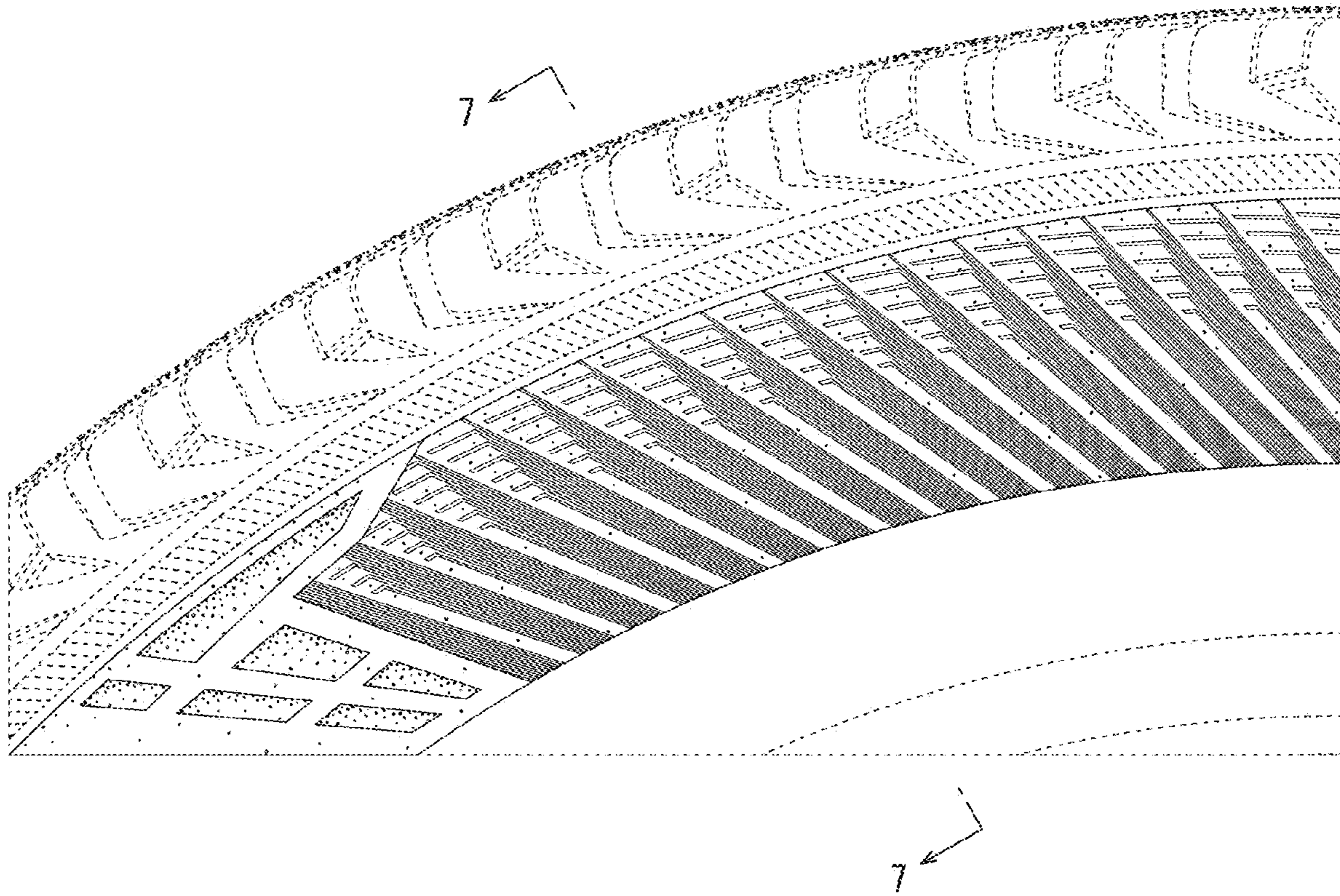


FIG. 7

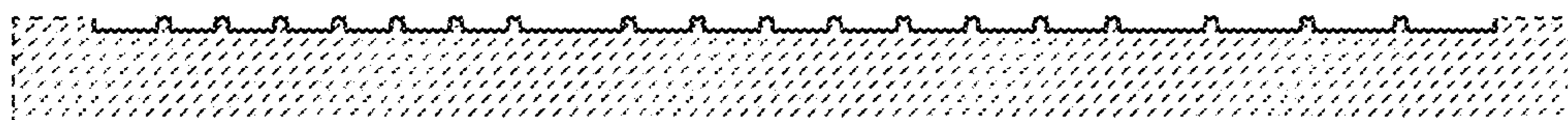


FIG. 8

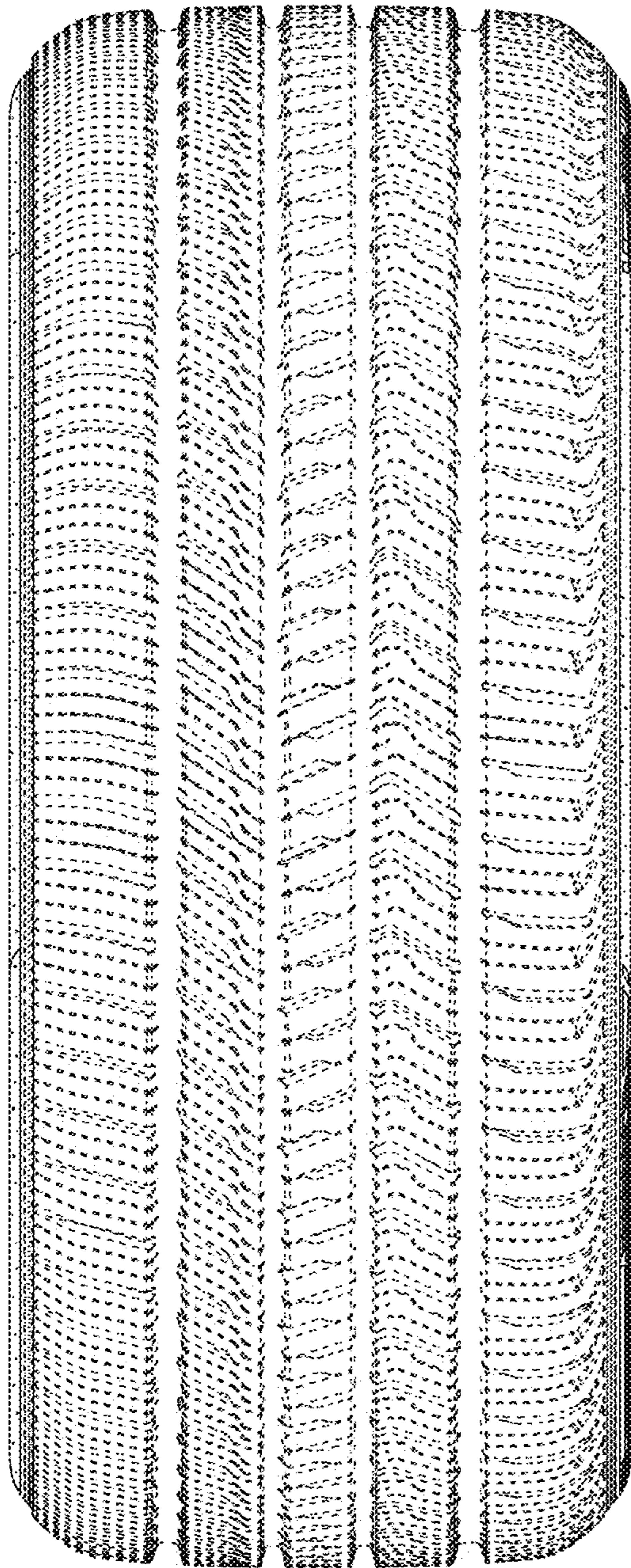


FIG. 9

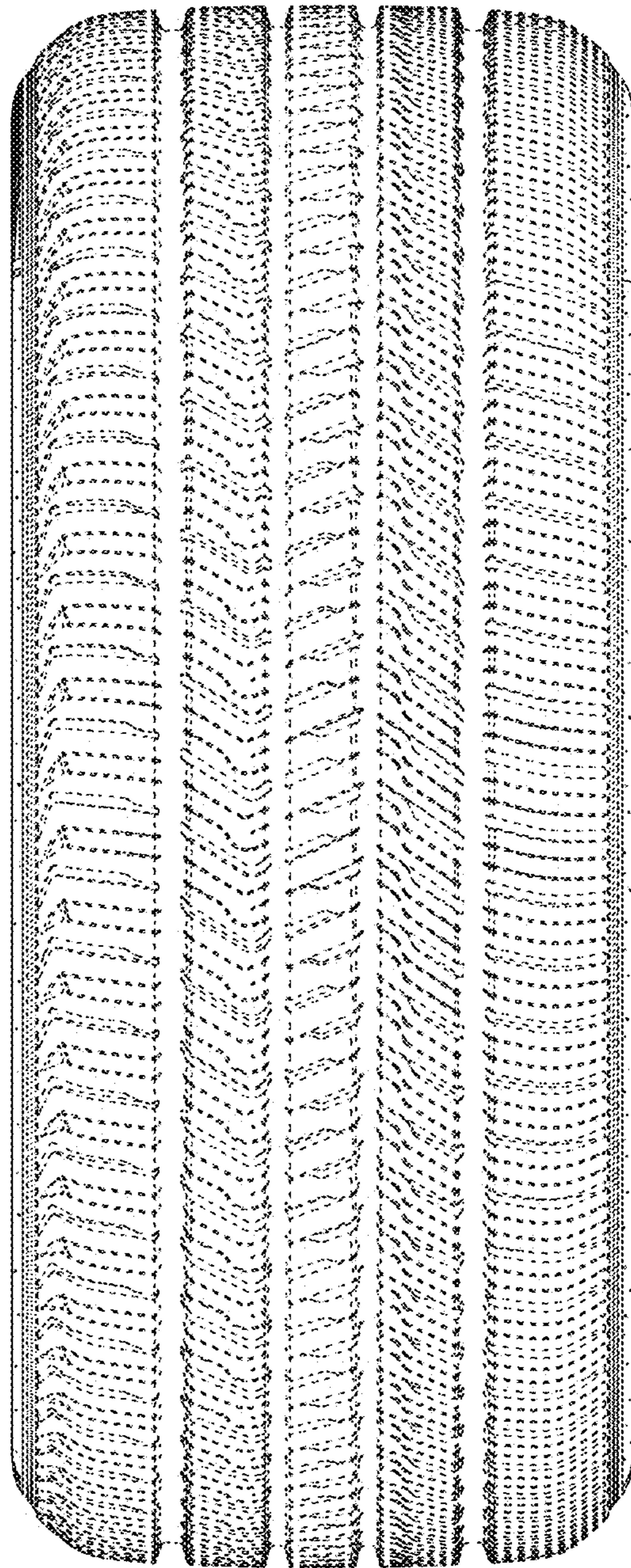


FIG. 10

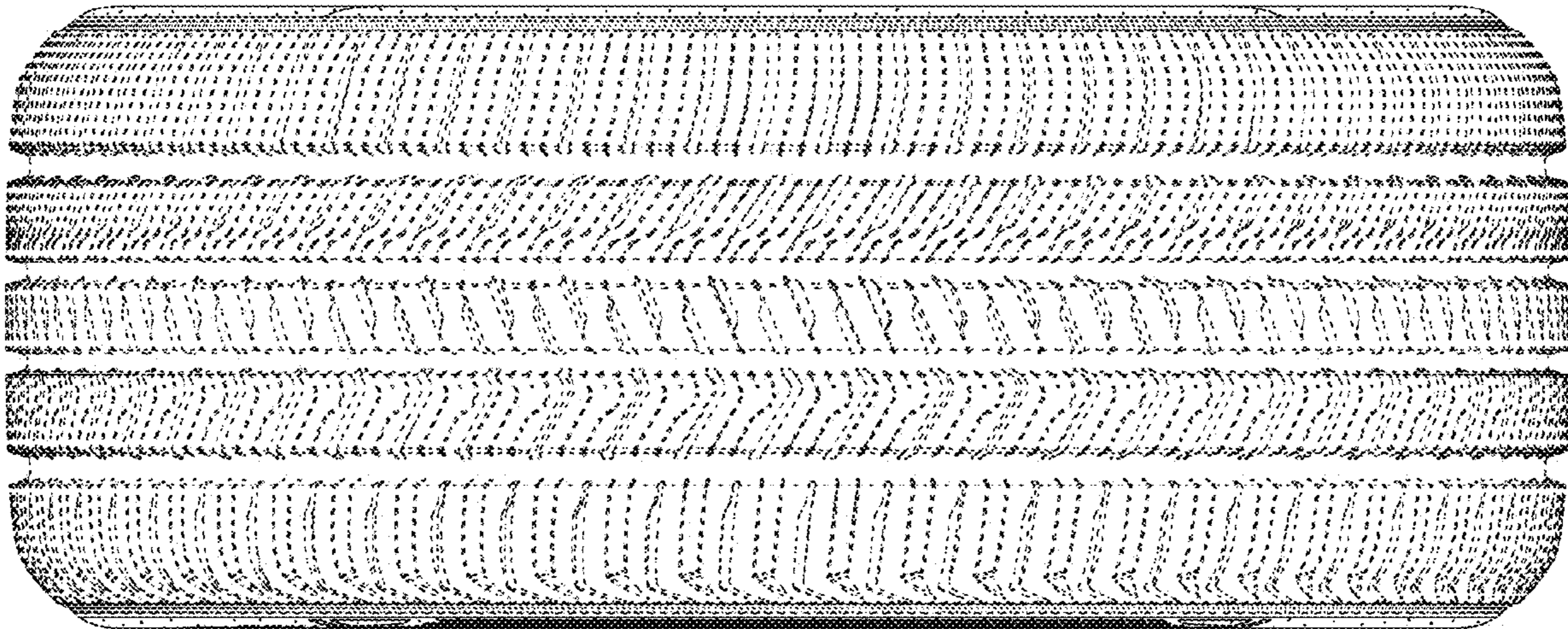


FIG. 11

