



US00D881115S

(12) **United States Design Patent**
Tikka

(10) **Patent No.:** **US D881,115 S**
(45) **Date of Patent:** **** Apr. 14, 2020**

(54) **TYRE**
(71) Applicant: **NOKIAN TYRES PLC, Nokia (FI)**
(72) Inventor: **Jorma Tikka, Tampere (FI)**
(73) Assignee: **Nokian Tyres PLC, Nokia (FI)**
(**) Term: **15 Years**

D543,124 S *	5/2007	Raatikainen	D10/86
D556,127 S *	11/2007	Iwabuchi	D12/605
D601,489 S *	10/2009	Lundgren	D12/605
D633,432 S *	3/2011	Tirone	D12/503
D740,218 S *	10/2015	Raatikainen	D12/604
D758,297 S *	6/2016	Kidney	D12/604
D765,589 S *	9/2016	Hara	D12/604
D823,784 S *	7/2018	Serva	D12/604
D825,446 S *	8/2018	Maxwell	D12/604
2009/0008009 A1 *	1/2009	Mosko	B60C 11/24 152/154.2

(21) Appl. No.: **29/659,003**
(22) Filed: **Aug. 4, 2018**

(30) **Foreign Application Priority Data**

Feb. 5, 2018 (EM) 004695336-0003

(51) **LOC (12) Cl.** **12-15**

(52) **U.S. Cl.**
USPC **D12/604**

(58) **Field of Classification Search**
USPC D12/604, 605, 400, 900, 901, 503;
D14/494, 495; D18/27
CPC B60C 11/24; B60C 11/243; B60C 11/246
See application file for complete search history.

(56) **References Cited**

U.S. PATENT DOCUMENTS

2,706,509 A *	4/1955	White	B60C 11/24 152/209.21
6,523,586 B1 *	2/2003	Eromaki	B60C 11/24 152/154.2

* cited by examiner

Primary Examiner — Michelle E. Wilson

Assistant Examiner — Clese Moore, Jr.

(74) *Attorney, Agent, or Firm* — Hoffmann & Baron, LLP

(57) **CLAIM**

The ornamental design for a tyre, as shown and described.

DESCRIPTION

FIG. 1 is a front, left side perspective view of a tyre showing my new design;

FIG. 2 is a front elevation view thereof;

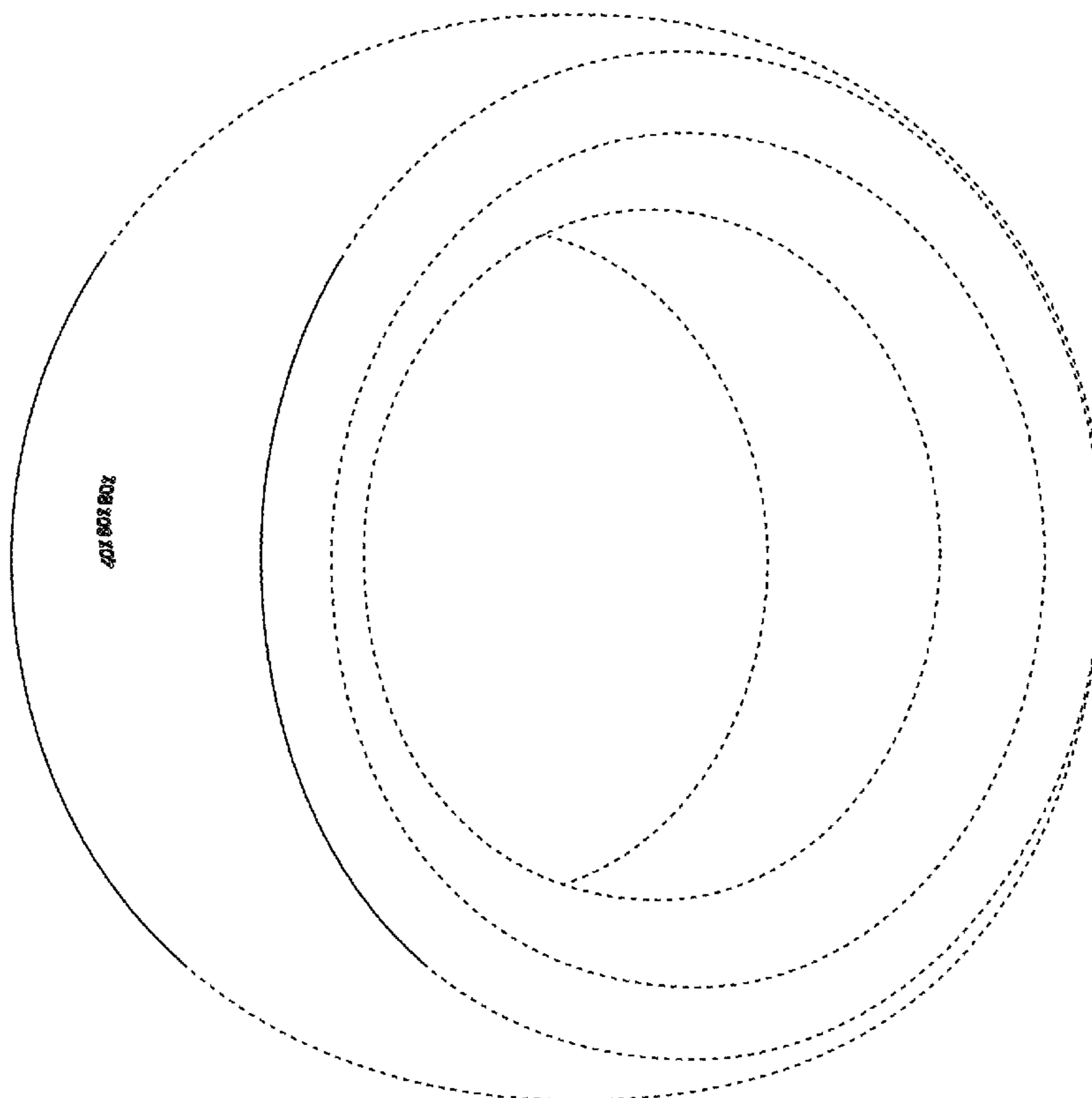
FIG. 3 is a left side view thereof;

FIG. 4 is an enlarged elevation view of the elements as depicted in FIG. 2 of the tyre of my new design; and,

FIG. 5 is a partial front elevation view taken from FIG. 2 and shown in an enlarged scale.

The portions of the Figures depicted in broken lines form no part of the claimed design.

1 Claim, 4 Drawing Sheets



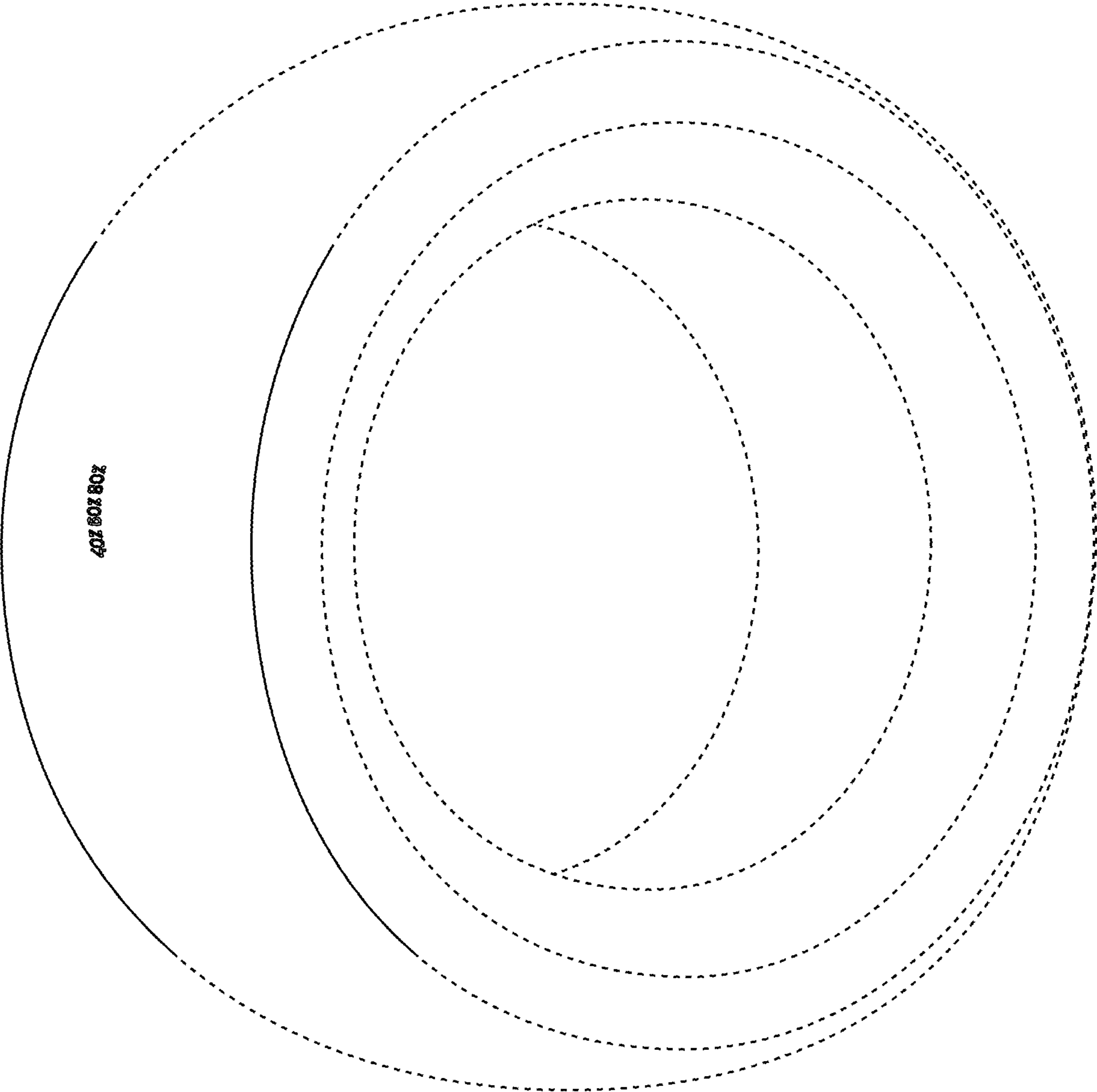


FIG. 1

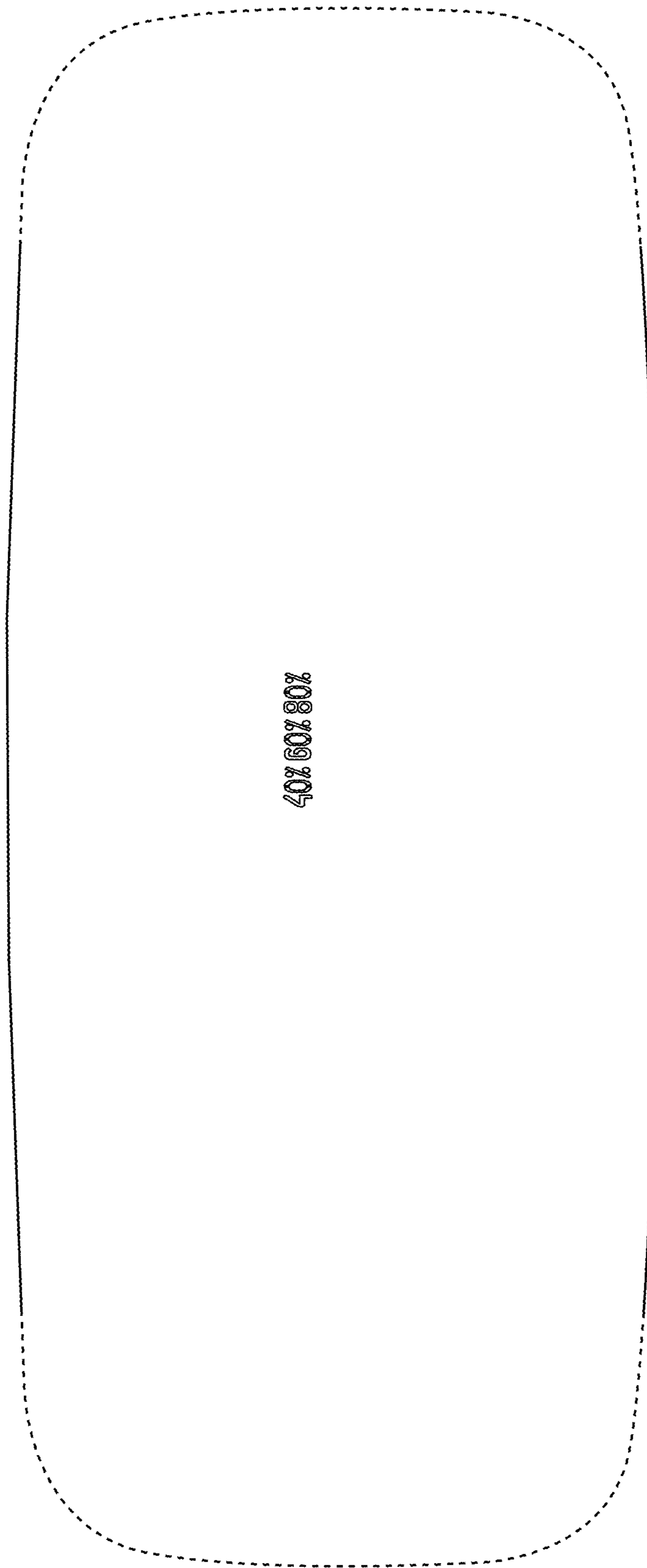


FIG. 2

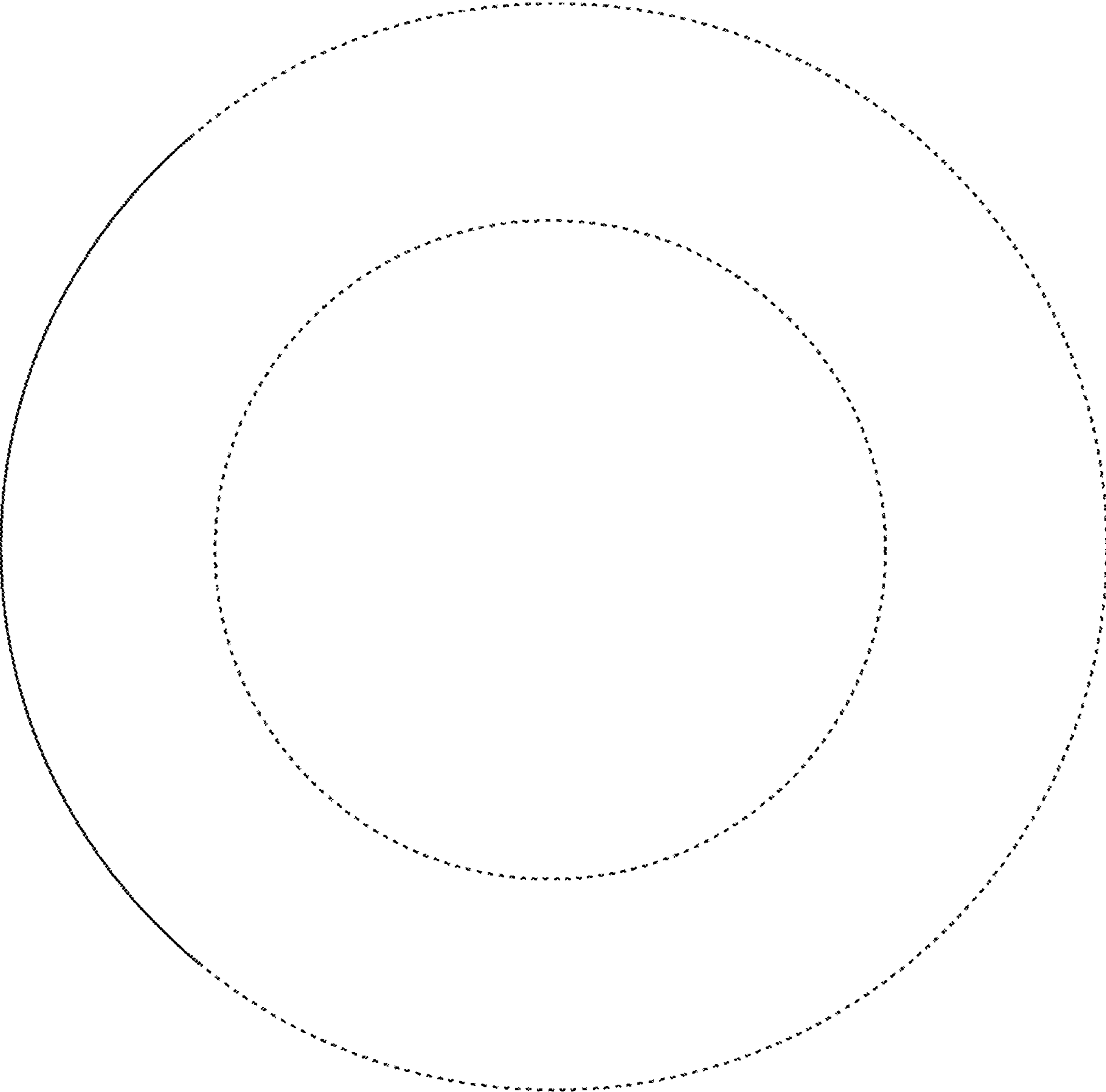


FIG. 3

40% 60% 80%

FIG. 4

40% 60% 80%

FIG. 5