



US00D881112S

(12) **United States Design Patent**  
**Geng et al.**

(10) **Patent No.:** **US D881,112 S**  
(45) **Date of Patent:** **\*\* Apr. 14, 2020**

- (54) **ALL-TERRAIN VEHICLE TIRE**
- (71) Applicant: **HEBEI WANDA TYRE CO., LTD,**  
Xingtai (CN)
- (72) Inventors: **Peng Geng,** Xingtai (CN); **Chuan Liu,**  
Xingtai (CN)
- (73) Assignee: **HEBEI WANDA TYRE CO., LTD,**  
Xingtai (CN)
- (\*\*) Term: **15 Years**
- (21) Appl. No.: **29/681,040**
- (22) Filed: **Feb. 22, 2019**
- (51) **LOC (12) Cl.** ..... **12-15**
- (52) **U.S. Cl.**  
USPC ..... **D12/579**
- (58) **Field of Classification Search**  
USPC ..... D12/568-604  
CPC ..... Y10T 152/10027; B60C 1/0016; B60C  
11/0306; B60C 11/0302; B60C 3/06;  
B60C 9/17  
See application file for complete search history.

D859,297 S \* 9/2019 Liu ..... D12/579  
D862,373 S \* 10/2019 Zhao ..... D12/579  
D873,762 S \* 1/2020 Sareen ..... D12/579

**OTHER PUBLICATIONS**

ITP Ultracross R Spec [Jan. 29, 2020] found online [Jan. 29, 2020]—<https://www.tyreline.com/products/itp/28x10.00r12-ultracross-r-36psi>.\*

\* cited by examiner

*Primary Examiner* — Lakiya G Rogers

*Assistant Examiner* — John A Voytek

(74) *Attorney, Agent, or Firm* — Bayramoglu Law Offices LLC

(57) **CLAIM**

The ornamental design for all-terrain vehicle tire, as shown and described.

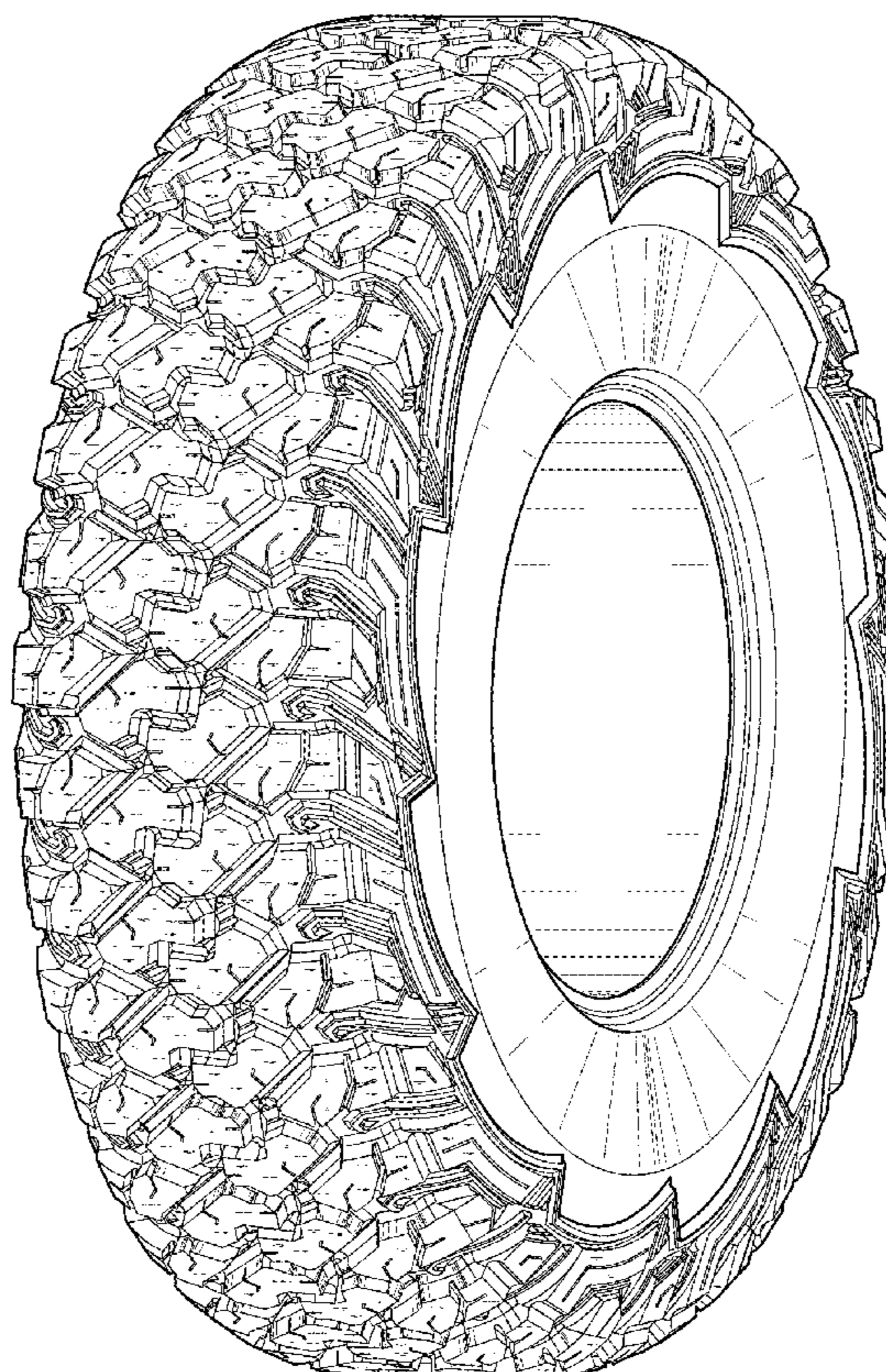
**DESCRIPTION**

FIG. 1 is a perspective view of all-terrain vehicle tire, showing my new design;  
FIG. 2 is a front view thereof;  
FIG. 3 is a left view thereof;  
FIG. 4 is a partial enlarged view of FIG. 2; and,  
FIG. 5 is a partial enlarged view of FIG. 3.  
The broken lines indicating enlarged portions of the all-terrain vehicle tire, form no part of the claimed design.

(56) **References Cited**  
**U.S. PATENT DOCUMENTS**

D775,065 S \* 12/2016 Hanlon ..... D12/579  
D836,063 S \* 12/2018 Geng ..... D12/579  
D858,426 S \* 9/2019 Geng ..... D12/579

**1 Claim, 5 Drawing Sheets**



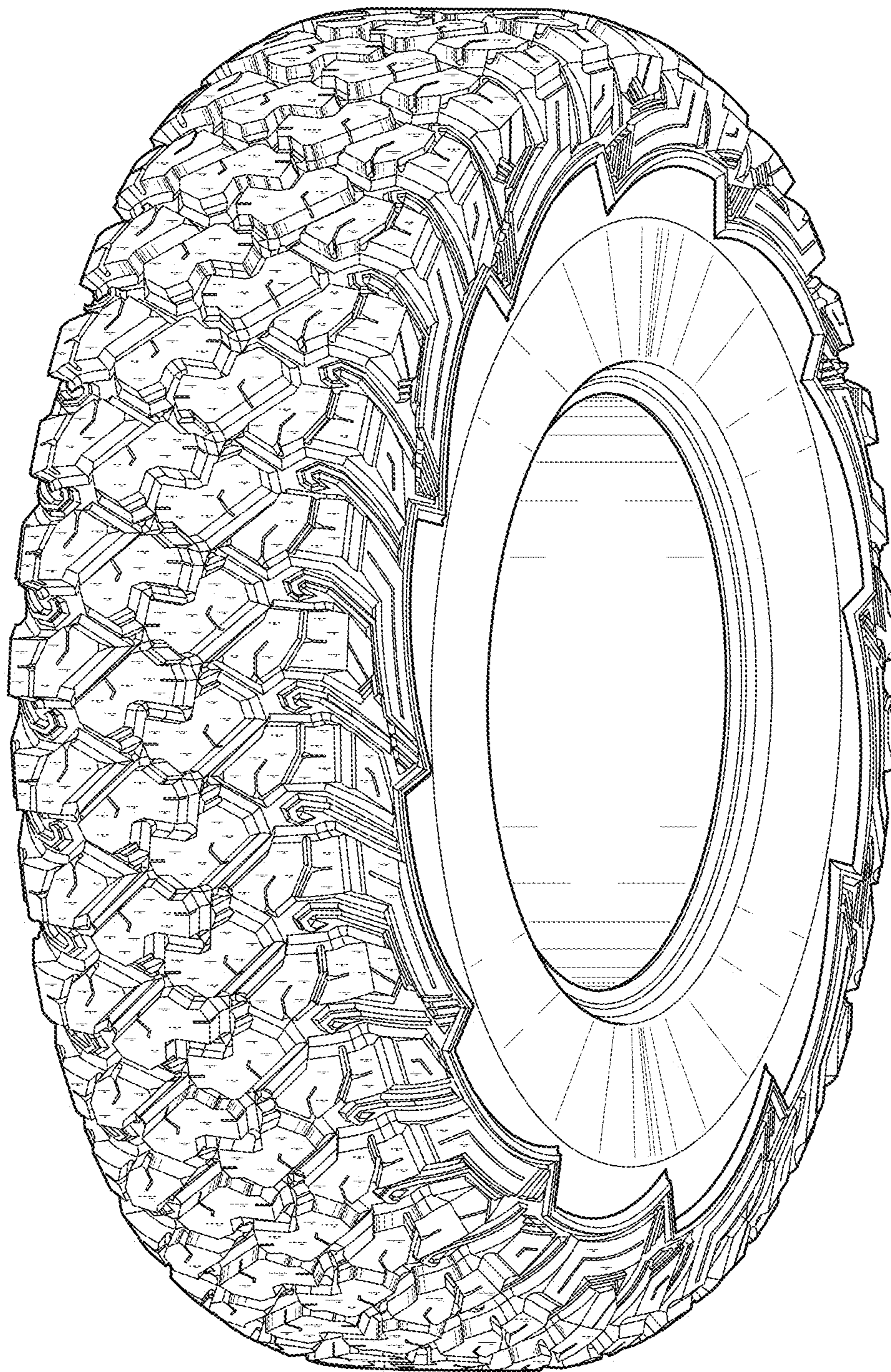


Fig. 1

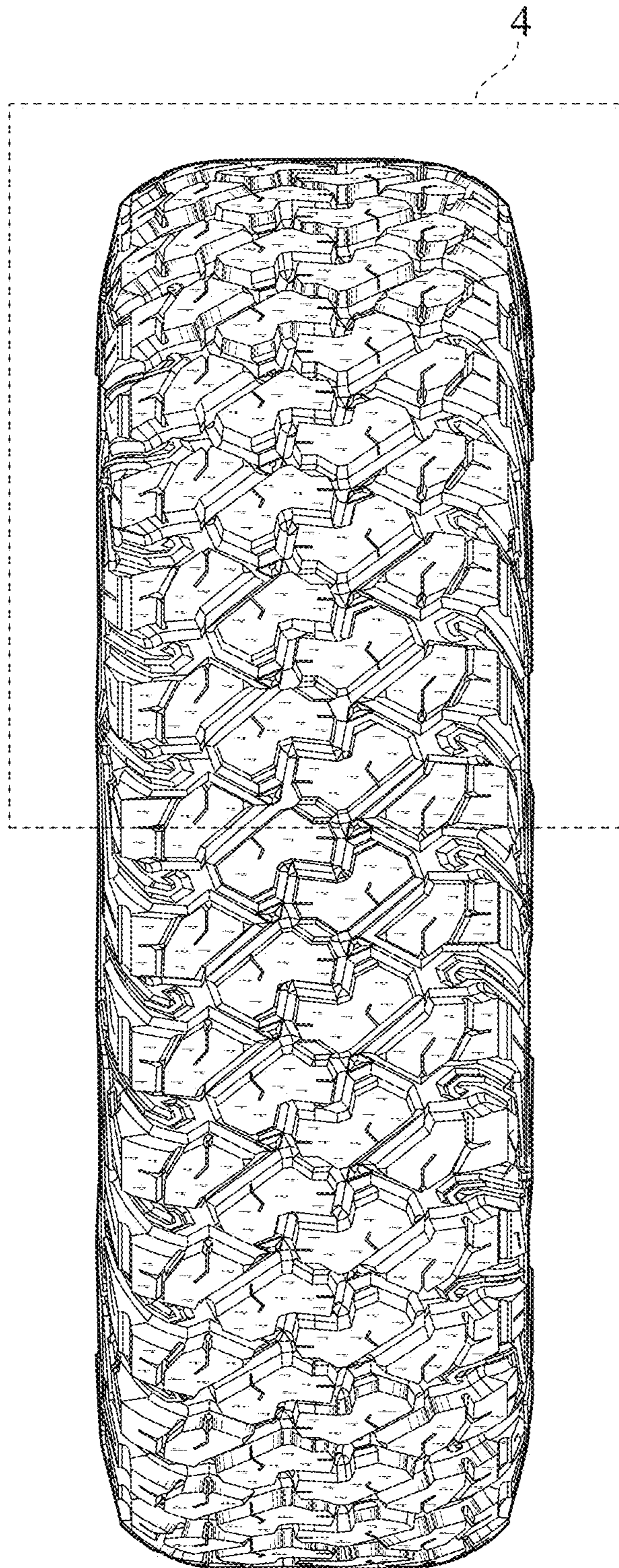


Fig. 2

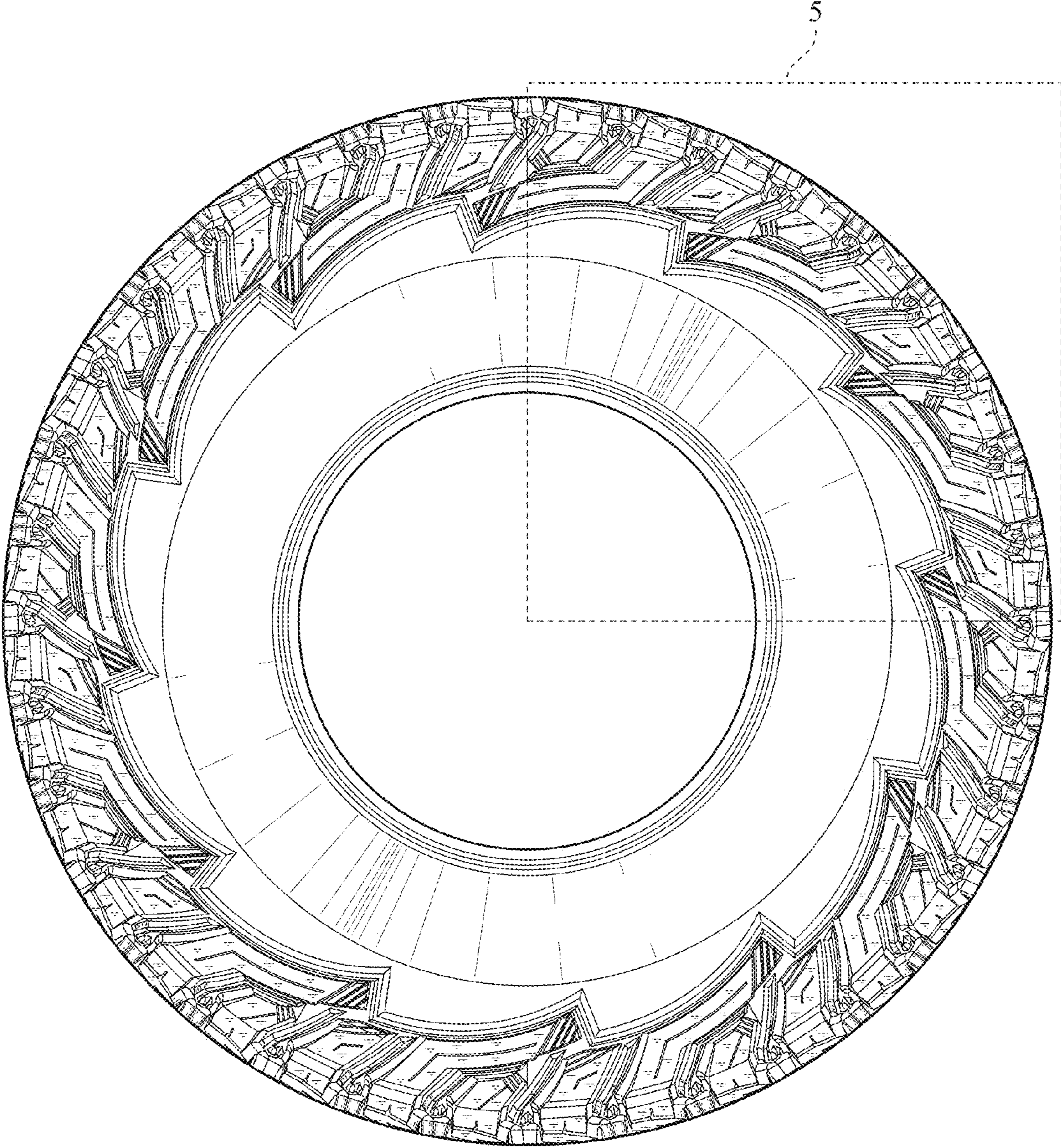


Fig. 3

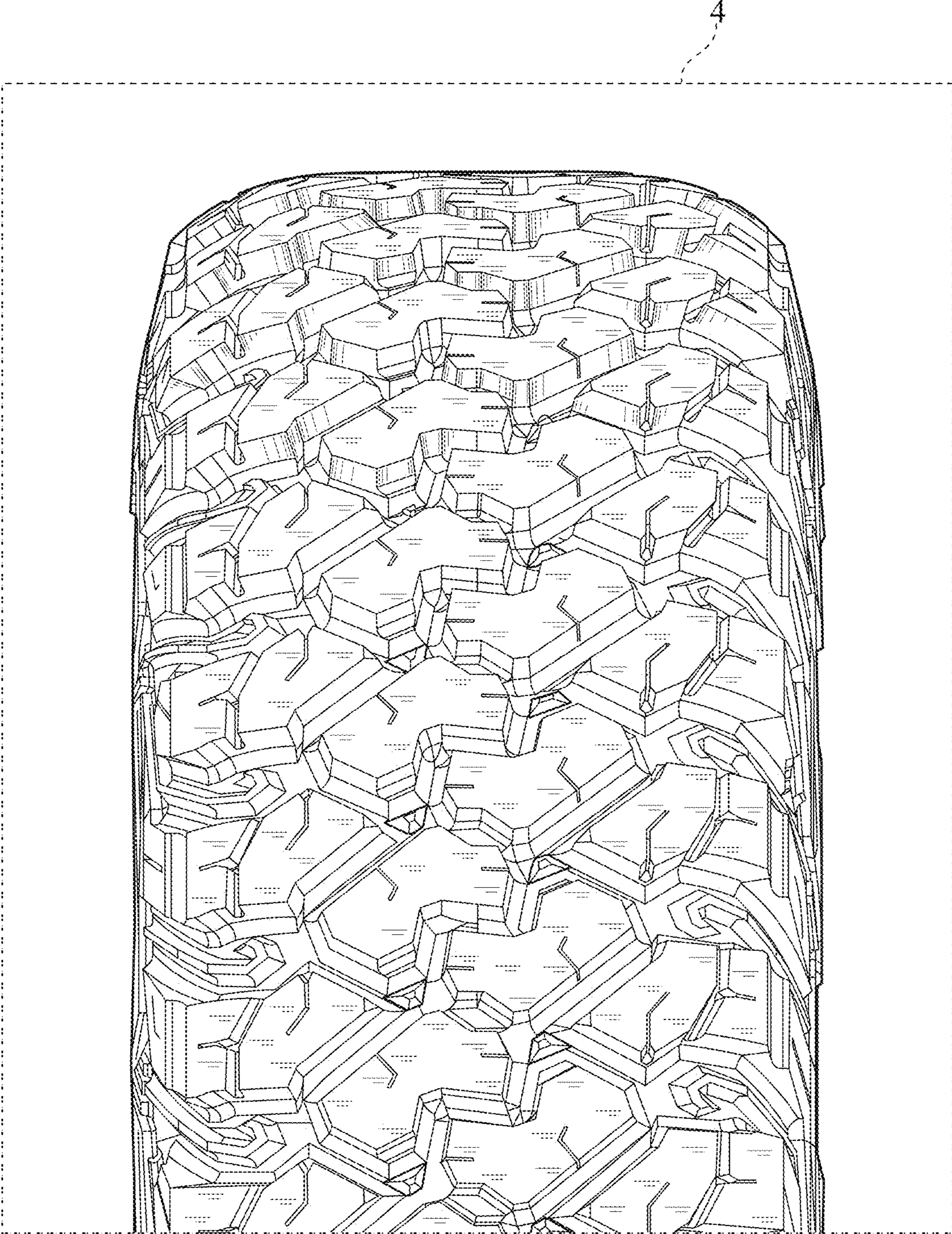


Fig. 4

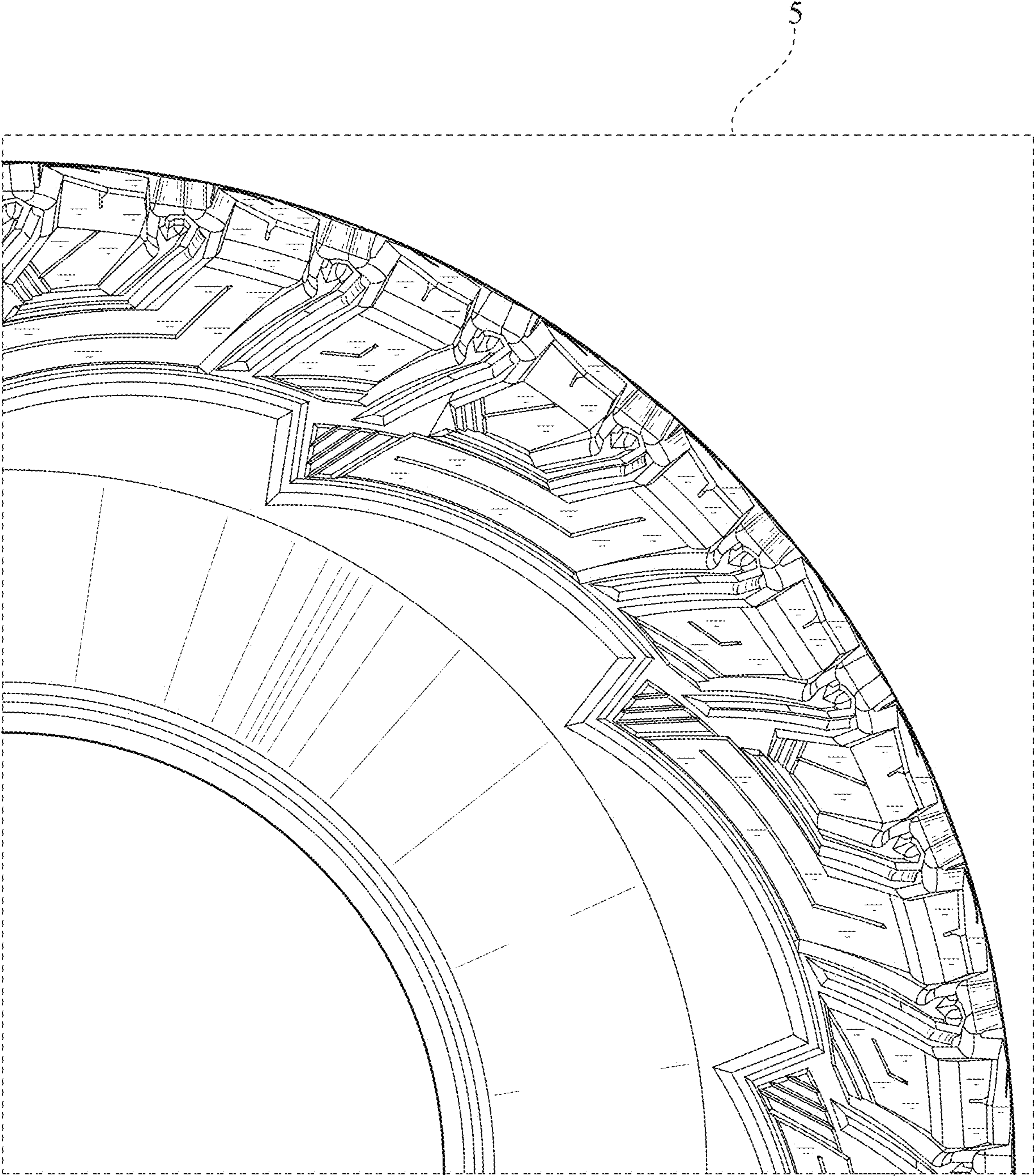


Fig. 5