



US00D881111S

(12) **United States Design Patent** (10) **Patent No.:** **US D881,111 S**
Lee (45) **Date of Patent:** **** Apr. 14, 2020**

(54) **SMARTPHONE HOLDER FOR VEHICLE**

(71) Applicant: **Chang Suk Lee**, Incheon (KR)

(72) Inventor: **Chang Suk Lee**, Incheon (KR)

(**) Term: **15 Years**

(21) Appl. No.: **29/663,078**

(22) Filed: **Sep. 12, 2018**

(30) **Foreign Application Priority Data**

Aug. 20, 2018 (KR) 30-2018-0038534

(51) **LOC (12) Cl.** **12-16**

(52) **U.S. Cl.**
USPC **D12/415**

(58) **Field of Classification Search**
USPC D12/415-420, 400, 191, 195, 106, 345,
D12/96, 99, 223, 114; D14/253, 251,
D14/252, 447, 451, 452, 440, 434, 458,
D14/432, 439, 457, 460, 238.1, 140, 142,
D14/149, 217, 148, 140.8, 140.11, 209.1,
D14/151, 140.9; D13/107, 108
CPC B60R 7/06; B60R 11/02; B60R 2011/005;
B60R 2011/0012; B60R 2011/0008;
B60R 11/0241; B60R 11/0258; B60R
11/0252; B60R 2011/0294; A61L 9/12;
A61L 9/04; F16M 11/00; F16M 11/04;
F16M 11/041; F16M 11/02; F16M 11/06;
H04M 1/02; A47F 7/022; B62J 11/00
See application file for complete search history.

(56) **References Cited**

U.S. PATENT DOCUMENTS

D464,250 S * 10/2002 Warner D8/355
D602,024 S * 10/2009 Richter D14/253
8,099,138 B2 * 1/2012 Piekarz B60R 11/0241
248/309.1
D655,283 S * 3/2012 Richter D14/253

D693,352 S * 11/2013 Gelsomini D14/447
D707,672 S * 6/2014 Lai D14/253
D708,603 S * 7/2014 Kim D14/253
D739,410 S * 9/2015 Chun D14/447
D750,612 S * 3/2016 Chen D14/253
D752,571 S * 3/2016 Richter D14/253
D772,216 S * 11/2016 Lau D13/108
D780,168 S * 2/2017 Du D14/253
D780,169 S * 2/2017 Du D14/253
D780,743 S * 3/2017 Chun D14/253
D783,012 S * 4/2017 Lee D14/253
D783,014 S * 4/2017 Chun D14/253
D797,750 S * 9/2017 Wengreen D14/447
D799,203 S * 10/2017 Karl, IV D3/218

(Continued)

OTHER PUBLICATIONS

Newest Phone Holder Tripod Mount, Woohot 360 Degree Rotation, Amazon.com, [online], [site visited Oct. 24, 2019]. <URL: https://www.amazon.com/dp/B07DGG1VWT/ref=psdc_11139606011_t3_B075R229KH> (Year: 2019).*

(Continued)

Primary Examiner — T Chase Nelson
Assistant Examiner — Jonathan J. Han
(74) *Attorney, Agent, or Firm* — Lex IP Meister, PLLC

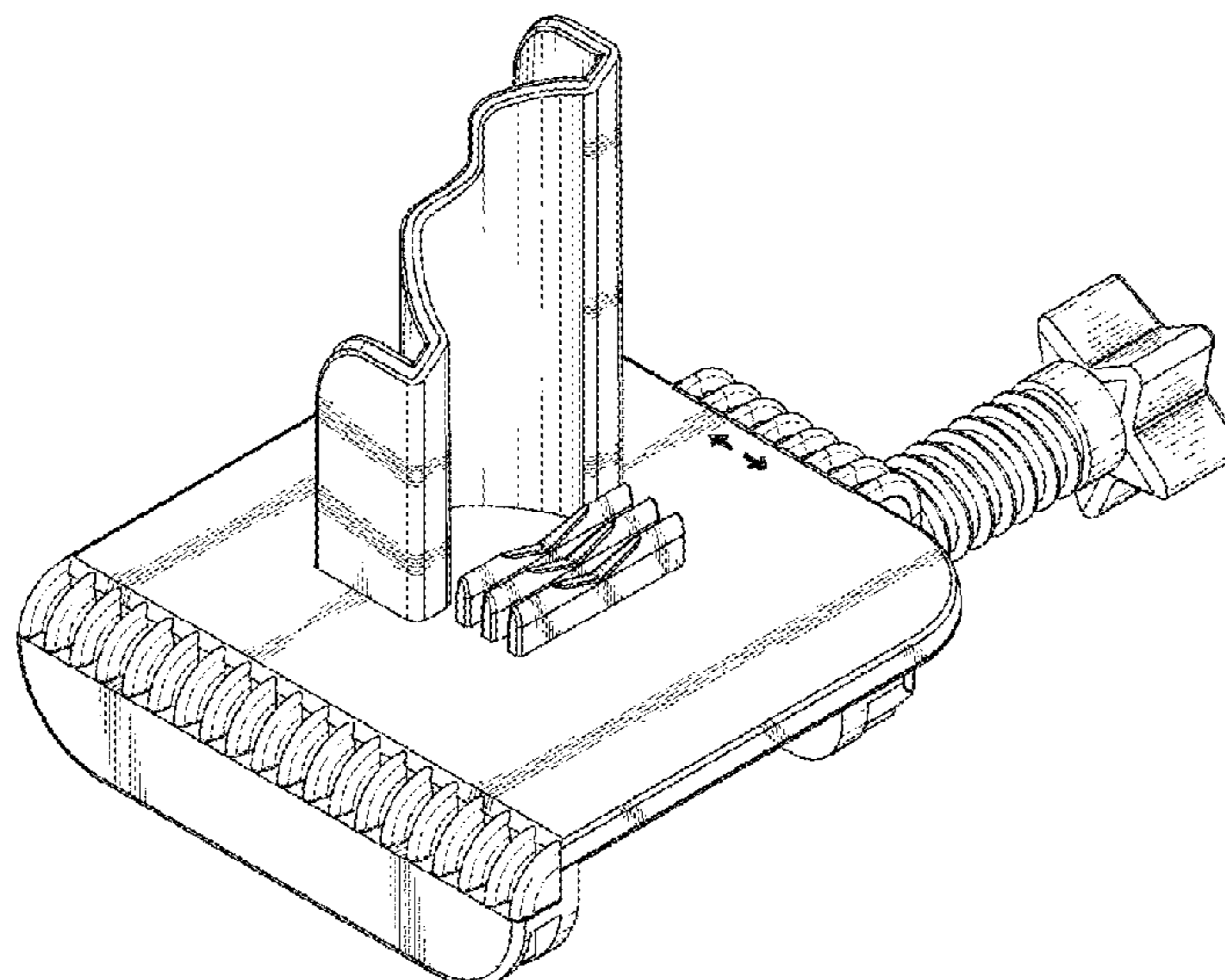
(57) **CLAIM**

The ornamental design for a smartphone holder for vehicle, as shown and described.

DESCRIPTION

FIG. 1 is a perspective view of a smartphone holder for vehicle showing my new design;
FIG. 2 is a front elevational view thereof;
FIG. 3 is a rear elevational view thereof;
FIG. 4 is a left side elevational view thereof;
FIG. 5 is a right side elevational view thereof;
FIG. 6 is a top plan view thereof; and,
FIG. 7 is a bottom plan view thereof.

1 Claim, 7 Drawing Sheets



(56)

References Cited

U.S. PATENT DOCUMENTS

D799,466 S * 10/2017 Sukphist D14/253
D832,248 S * 10/2018 Sukphist D14/253
D838,267 S * 1/2019 Zhang D14/253
D838,712 S * 1/2019 Wang D14/253
D858,422 S * 9/2019 Min D12/415
D858,509 S * 9/2019 Yao D14/253
D860,915 S * 9/2019 Tang D12/407
D862,454 S * 10/2019 Chun D14/253
D864,092 S * 10/2019 Zhang D12/415
D864,185 S * 10/2019 Chen D14/253
D864,189 S * 10/2019 Richter D14/253
D864,190 S * 10/2019 Richter D14/253

OTHER PUBLICATIONS

Neewer Smartphone Holder Vertical Bracket with 1/4-inch Tripod Mount, Amazon.com, [online], [site visited Oct. 24, 2019]. <URL: <https://www.amazon.com/Neewer-Smartphone-Holder-Vertical-Bracket/dp/B075R229KH>> (Year: 2019).*

Parrot Smartphone Holder for Skycontroller 2, BHphotoVideo.com, [online], [site visited Oct. 24, 2019]. <URL: https://www.bhphotovideo.com/c/product/1323009-REG/parrot_pf070268_skycontroller_2_smartphone.html> (Year: 2019).*

Smartphone Holder, DesignByDelta.com, Oldest Review: Aug. 8, 3017, [online], [site visited Oct. 24, 2019]. <URL: <https://designbydelta.com/collections/mobile-holders/products/smartphone-holder>> (Year: 2017).*

* cited by examiner

FIG. 1

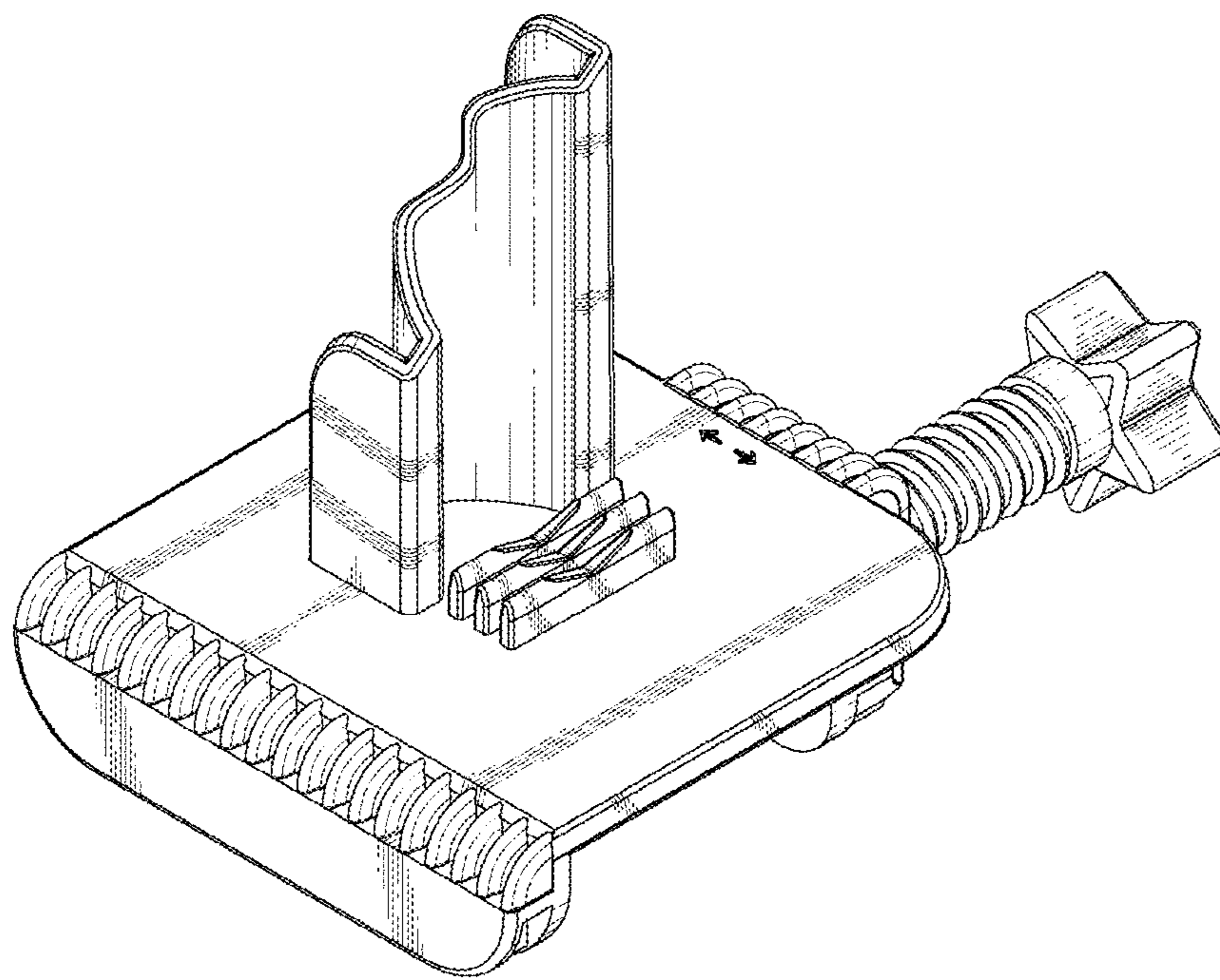


FIG. 2

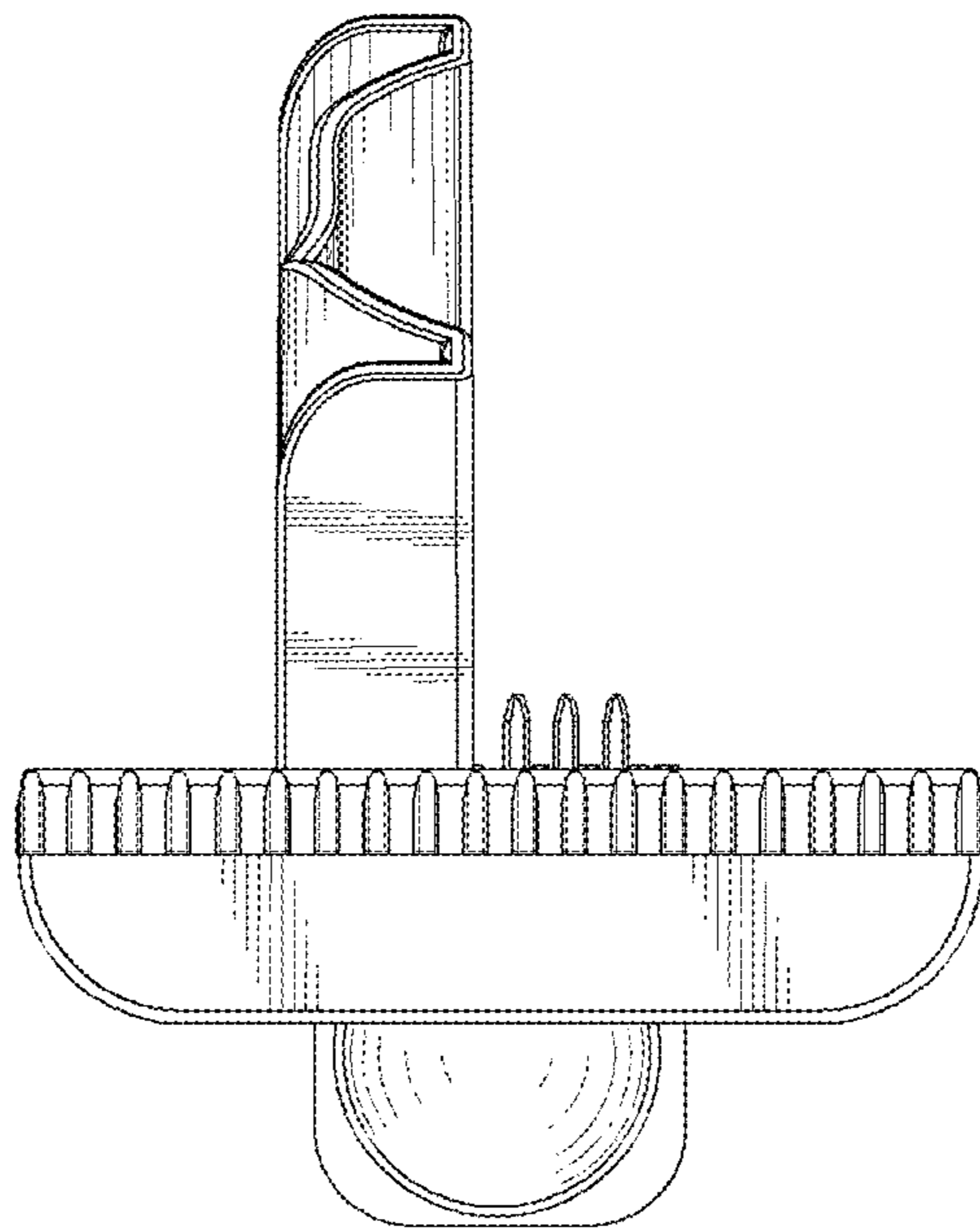


FIG. 3

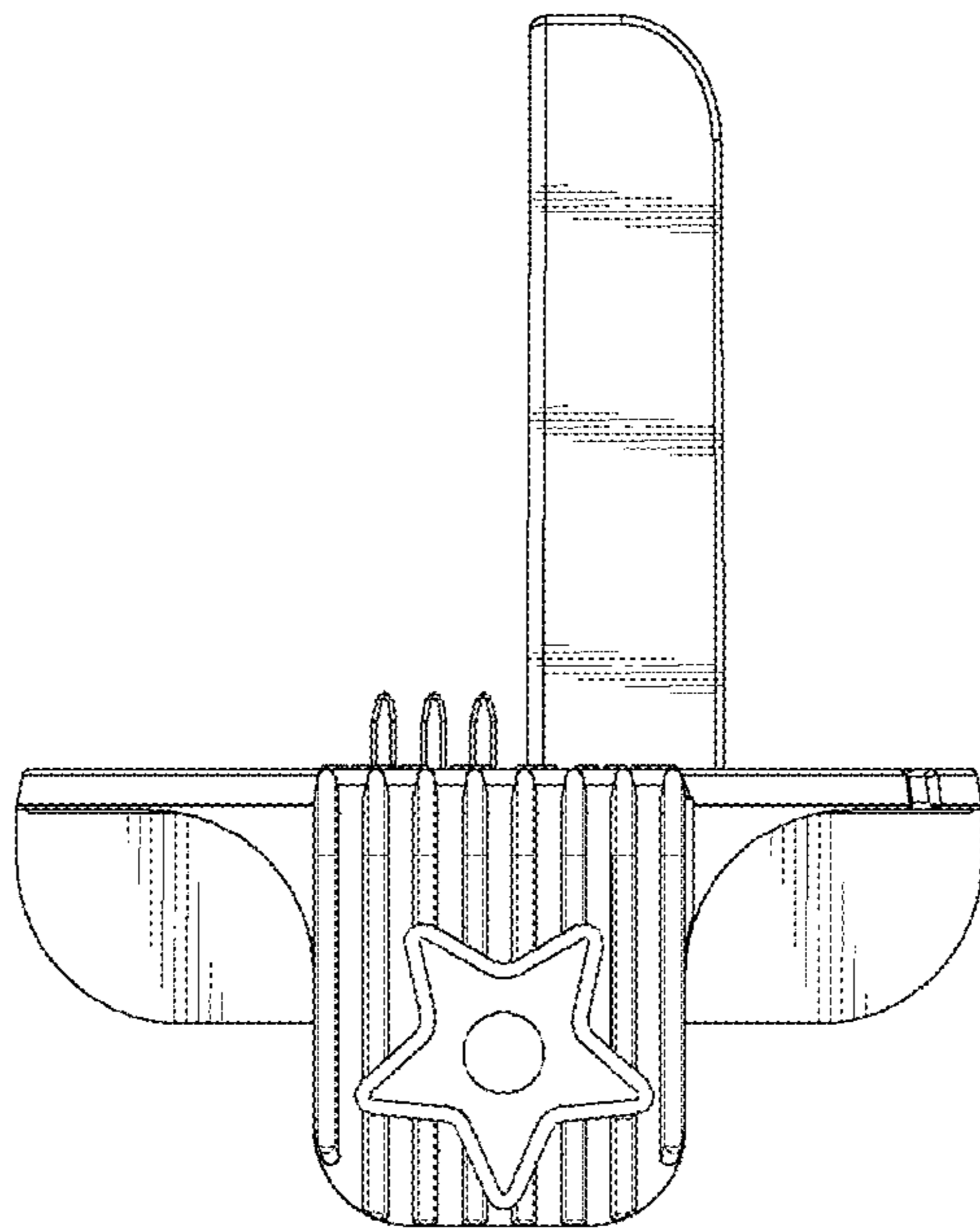


FIG. 4

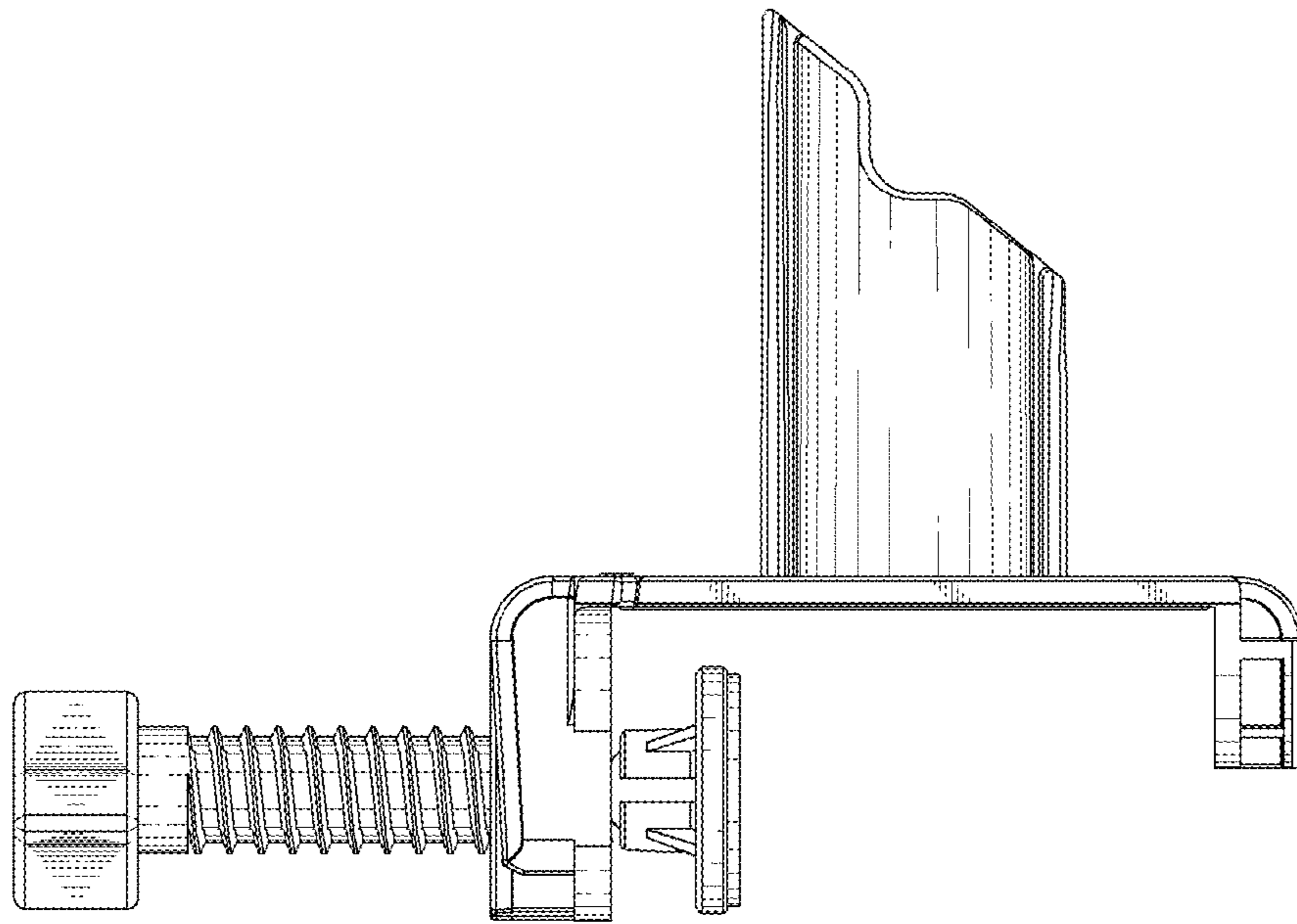


FIG. 5

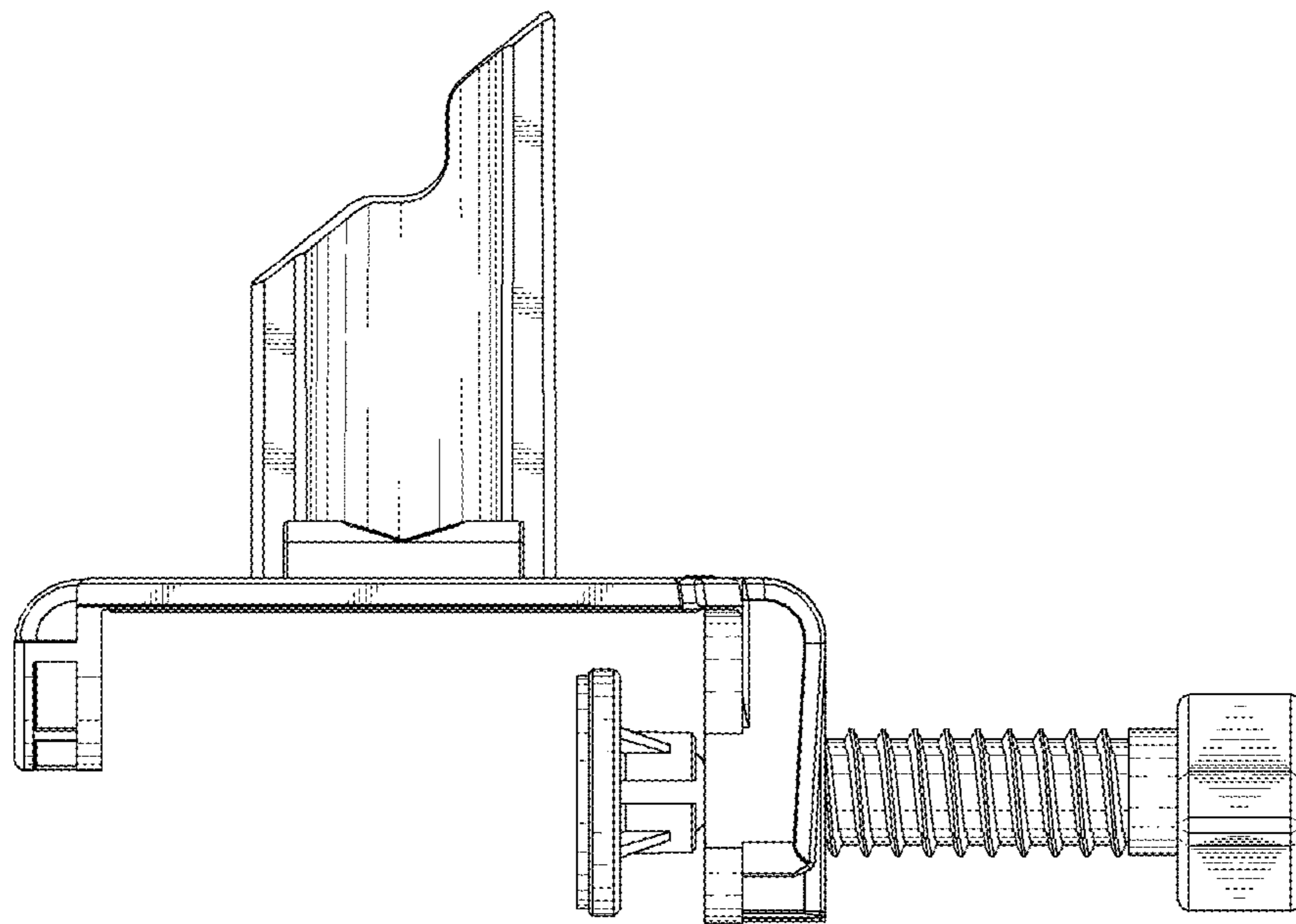


FIG. 6

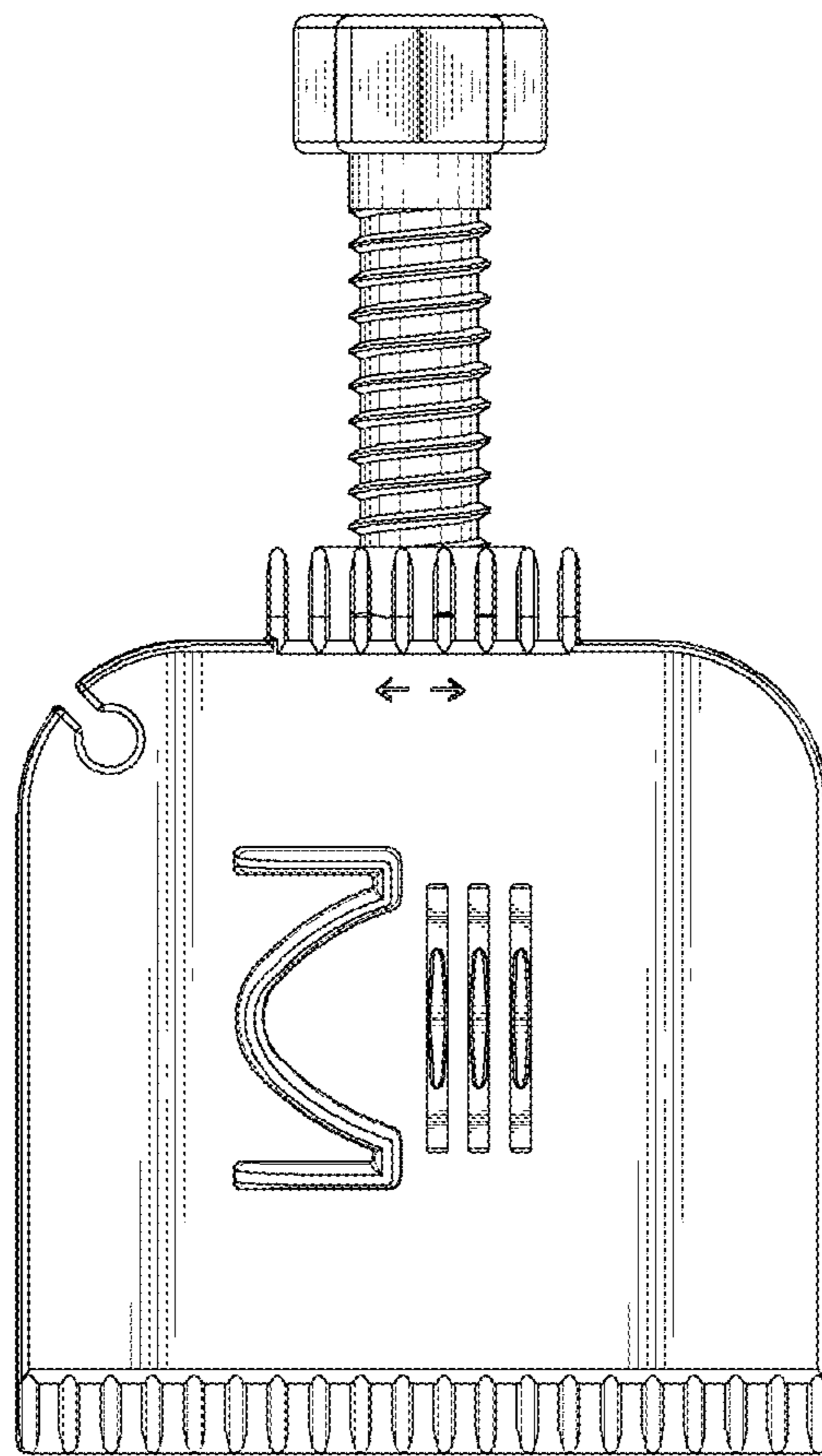


FIG. 7

