



US00D881109S

(12) **United States Design Patent**
Haban et al.

(10) **Patent No.:** **US D881,109 S**
(45) **Date of Patent:** **** Apr. 14, 2020**

- (54) **SENSOR HOUSING FOR A VEHICLE**
- (71) Applicant: **UATC, LLC**, San Francisco, CA (US)
- (72) Inventors: **Philipp Haban**, Pittsburgh, PA (US);
Christopher D'Eramo, Bethel Park, PA (US)
- (73) Assignee: **UATC, LLC**, San Francisco, CA (US)
- (**) Term: **15 Years**
- (21) Appl. No.: **29/625,190**
- (22) Filed: **Nov. 7, 2017**
- (51) **LOC (12) Cl.** **12-16**
- (52) **U.S. Cl.**
USPC **D12/412**
- (58) **Field of Classification Search**
USPC D12/412, 406, 413, 414, 414.1; D6/552;
D3/304-306
CPC B60R 9/04; B60R 9/048; B60R 9/045
See application file for complete search history.

D792,833 S *	7/2017	Chan	D12/412
D811,986 S *	3/2018	Torres	D12/412
D816,012 S *	4/2018	Linson	D12/412
D831,562 S *	10/2018	Salsi	D12/412
D834,496 S *	11/2018	Deyaf	D12/412
D835,565 S *	12/2018	Deyaf	D12/412
D856,262 S *	8/2019	Marankie	D12/412
D859,283 S *	9/2019	Adler	D12/412

* cited by examiner

Primary Examiner — Katrina A Betton
(74) *Attorney, Agent, or Firm* — Dority & Manning, P.A.

(57) **CLAIM**

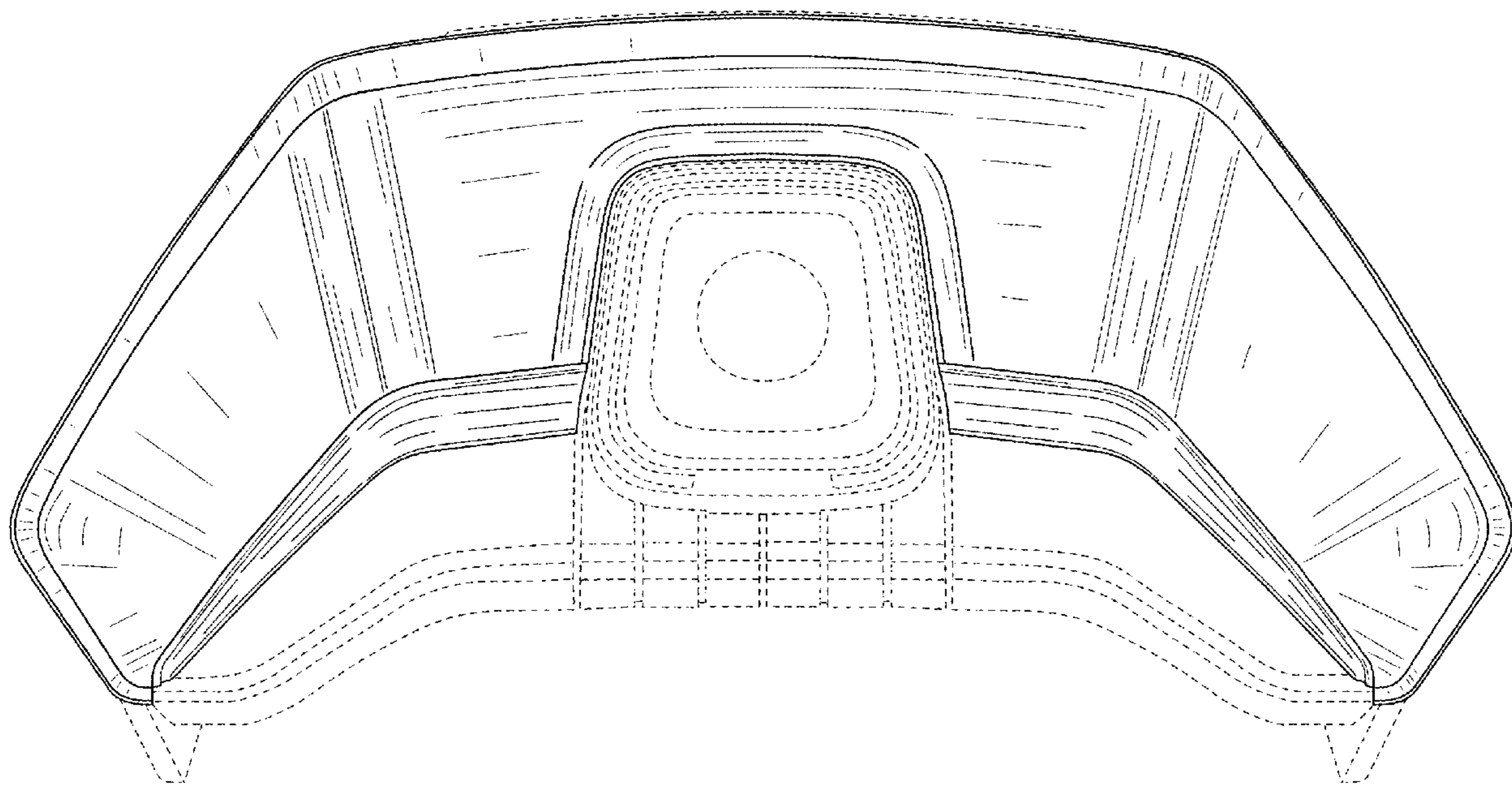
The ornamental design for a sensor housing for a vehicle, as shown and described.

DESCRIPTION

FIG. 1 is a front perspective view according to the present design.
 FIG. 2 is a rear perspective view of the design of FIG. 1.
 FIG. 3 is a top view of the design of FIG. 1.
 FIG. 4 is a bottom view of the design of FIG. 1.
 FIG. 5 is a front view of the design of FIG. 1.
 FIG. 6 is a rear view of the design of FIG. 1.
 FIG. 7 is a right side view of the design of FIG. 1.
 FIG. 8 is a left side view of the design of FIG. 1; and,
 FIG. 9 is a front perspective view of the design of FIG. 1.
 The claimed design comprises the elements shown in solid lines. The broken lines form no part of the claimed design.

1 Claim, 8 Drawing Sheets

- (56) **References Cited**
U.S. PATENT DOCUMENTS
D719,903 S * 12/2014 Sautter D12/412
D772,783 S * 11/2016 Schleef D12/412
D778,224 S * 2/2017 Eriksson D12/412



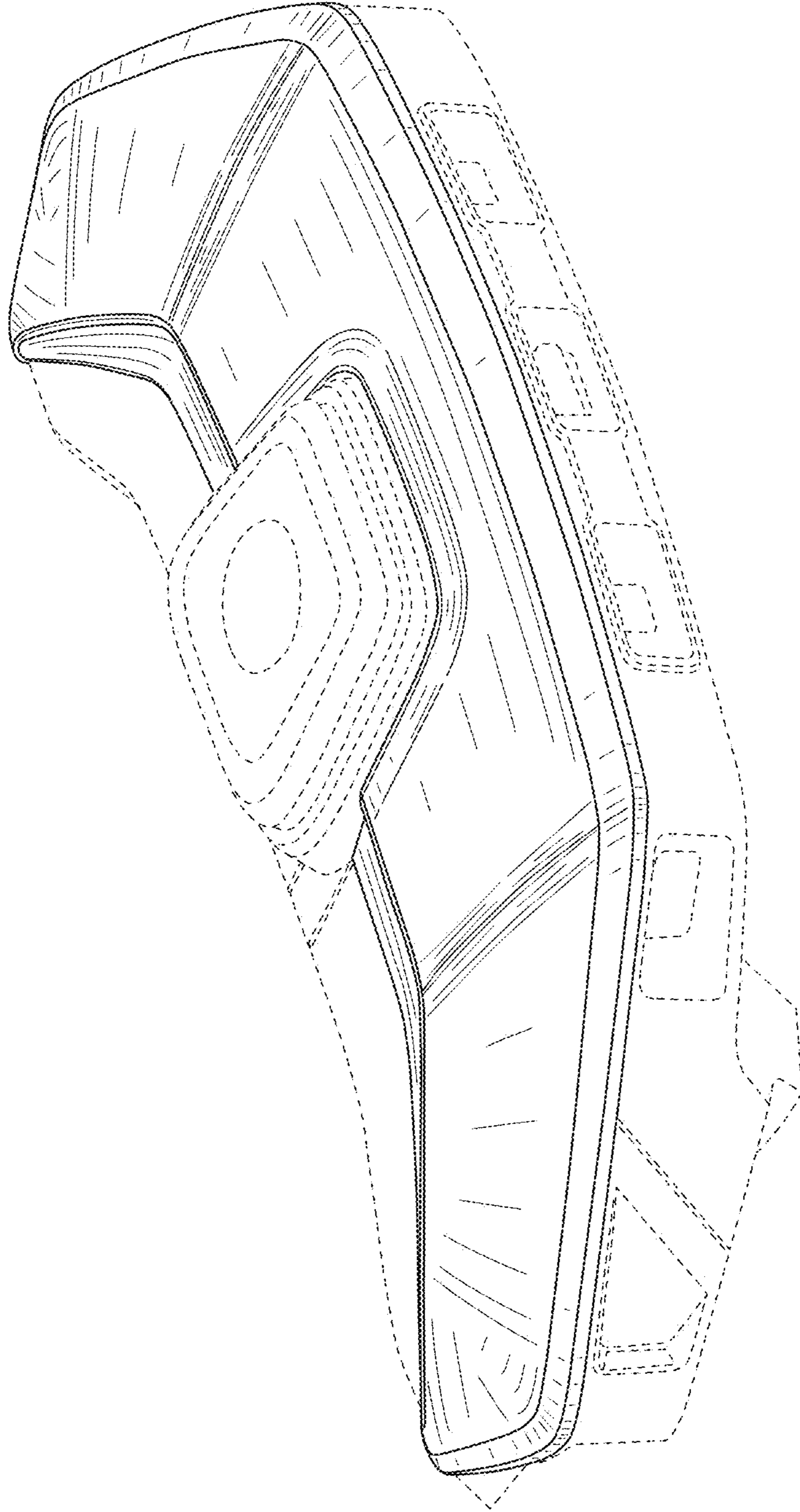


FIG. 1

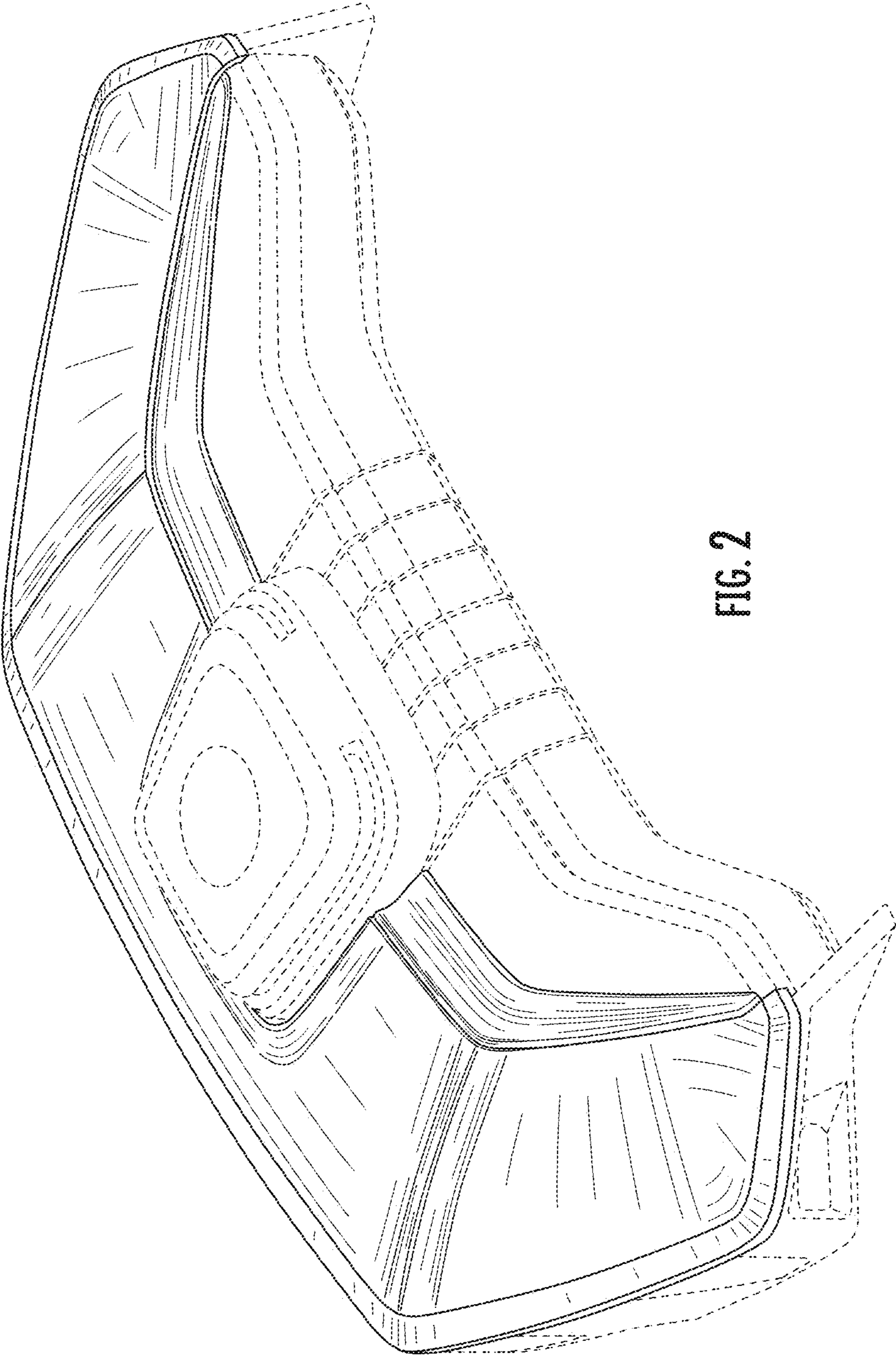


FIG. 2

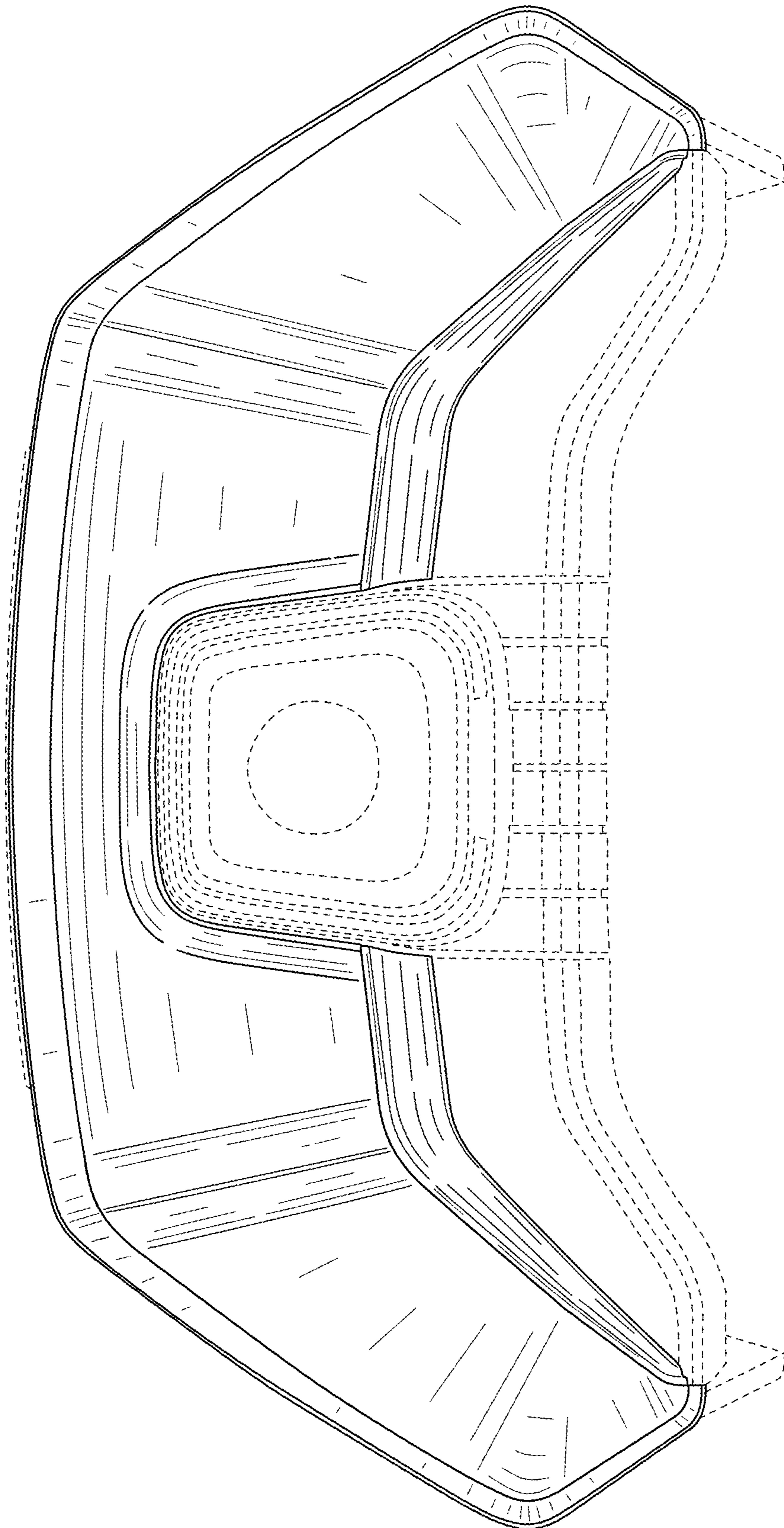


FIG. 3

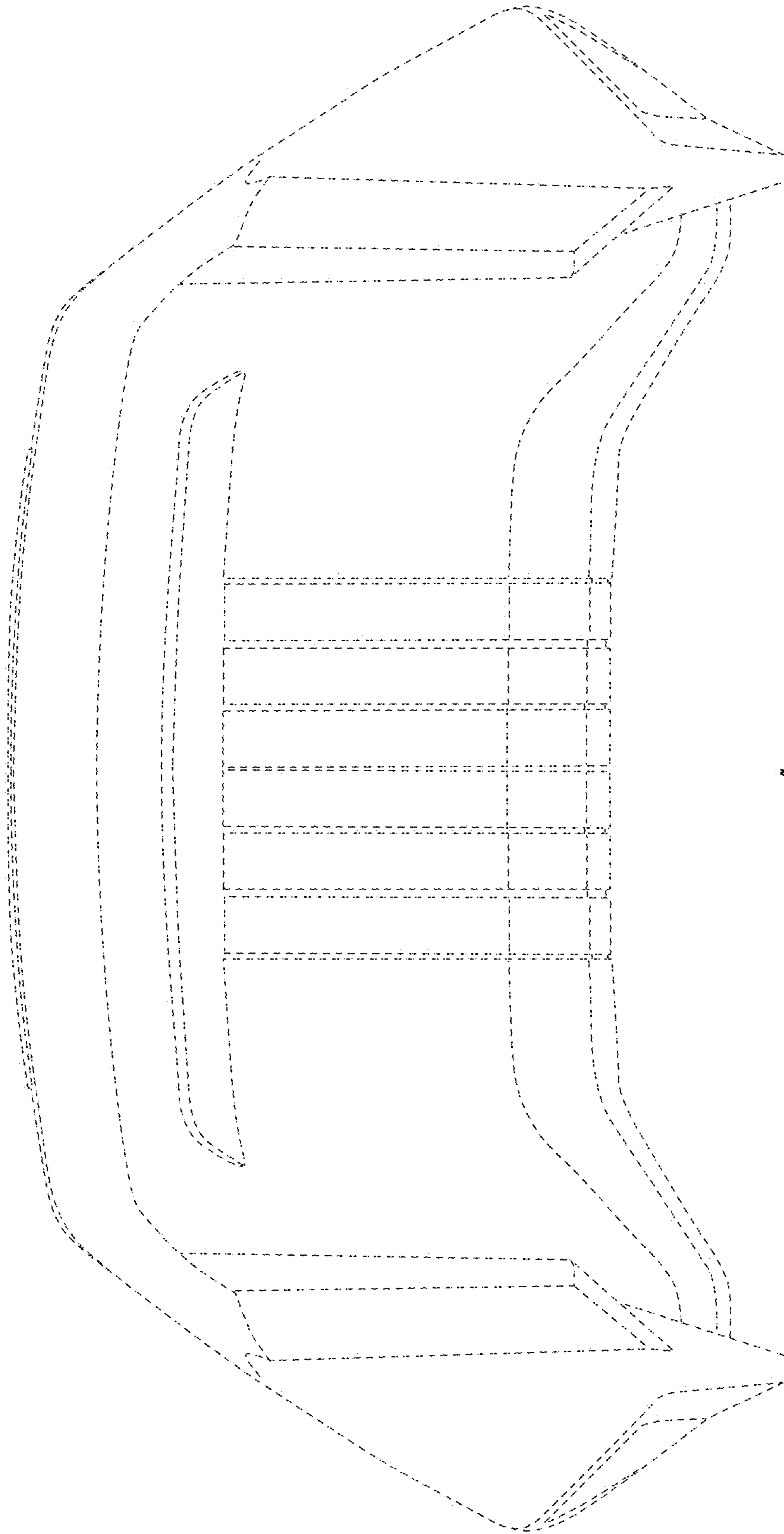


FIG. 4

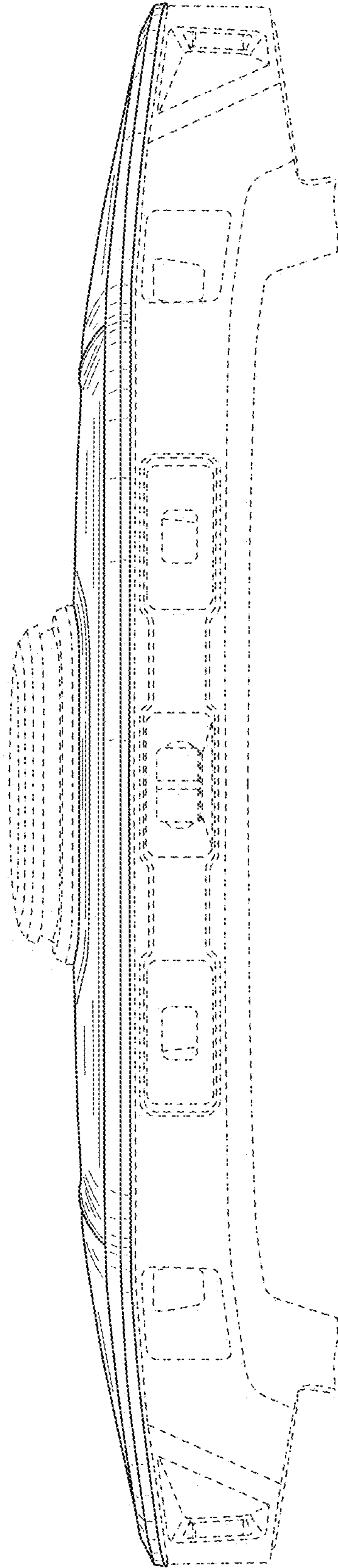


FIG. 5

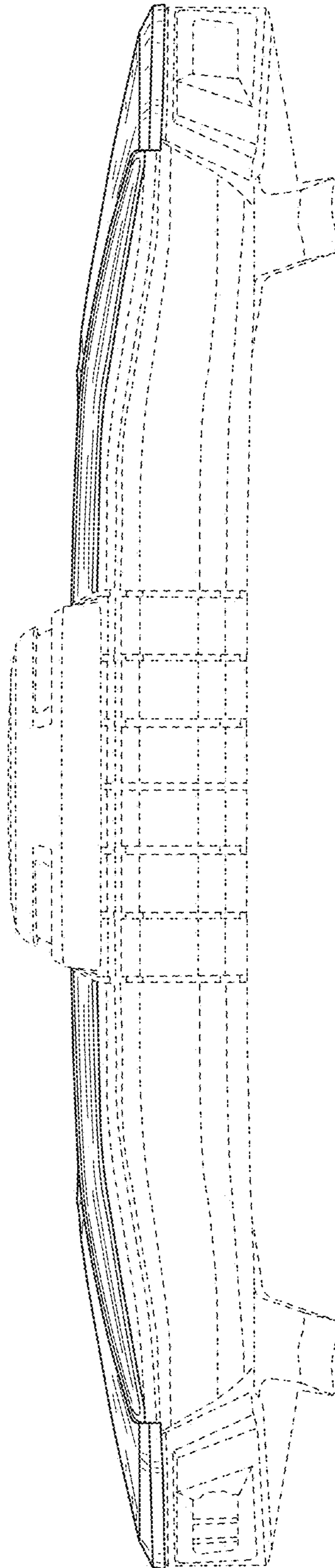


FIG. 6

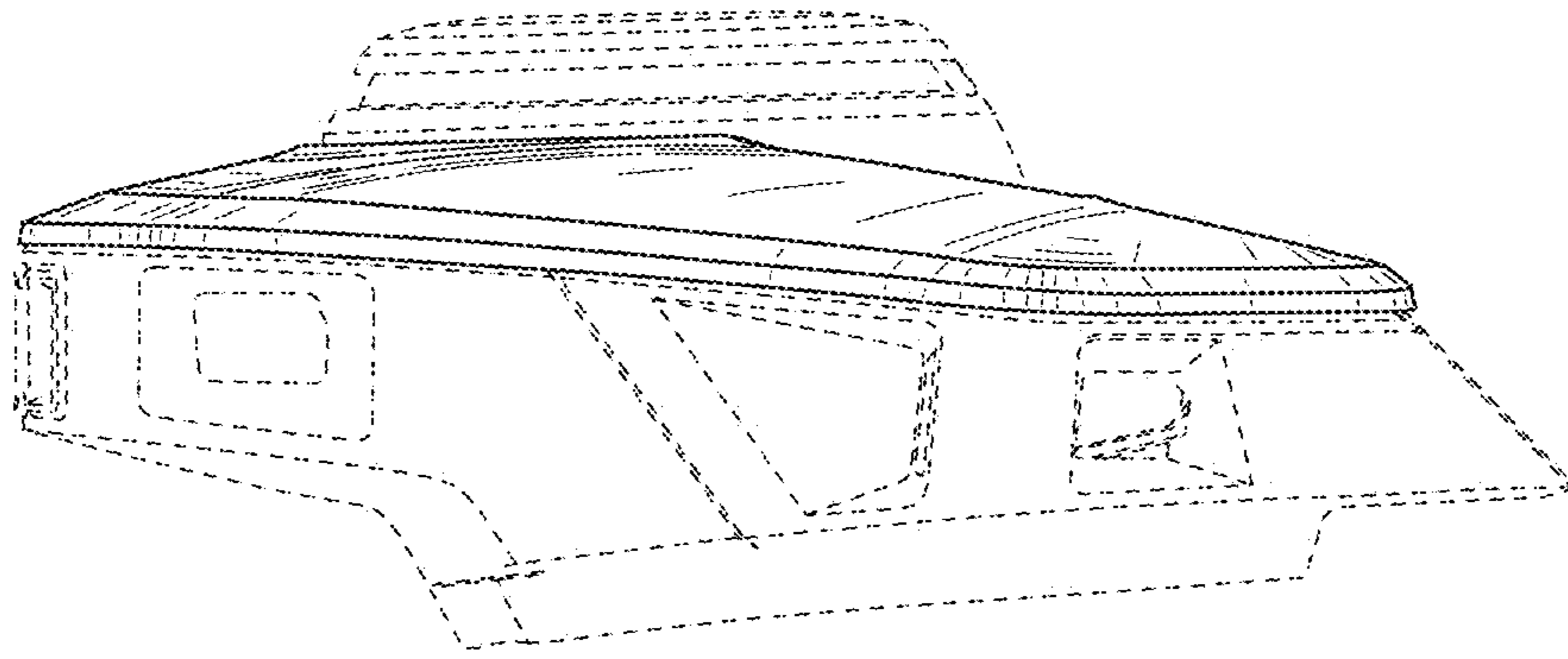


FIG. 7

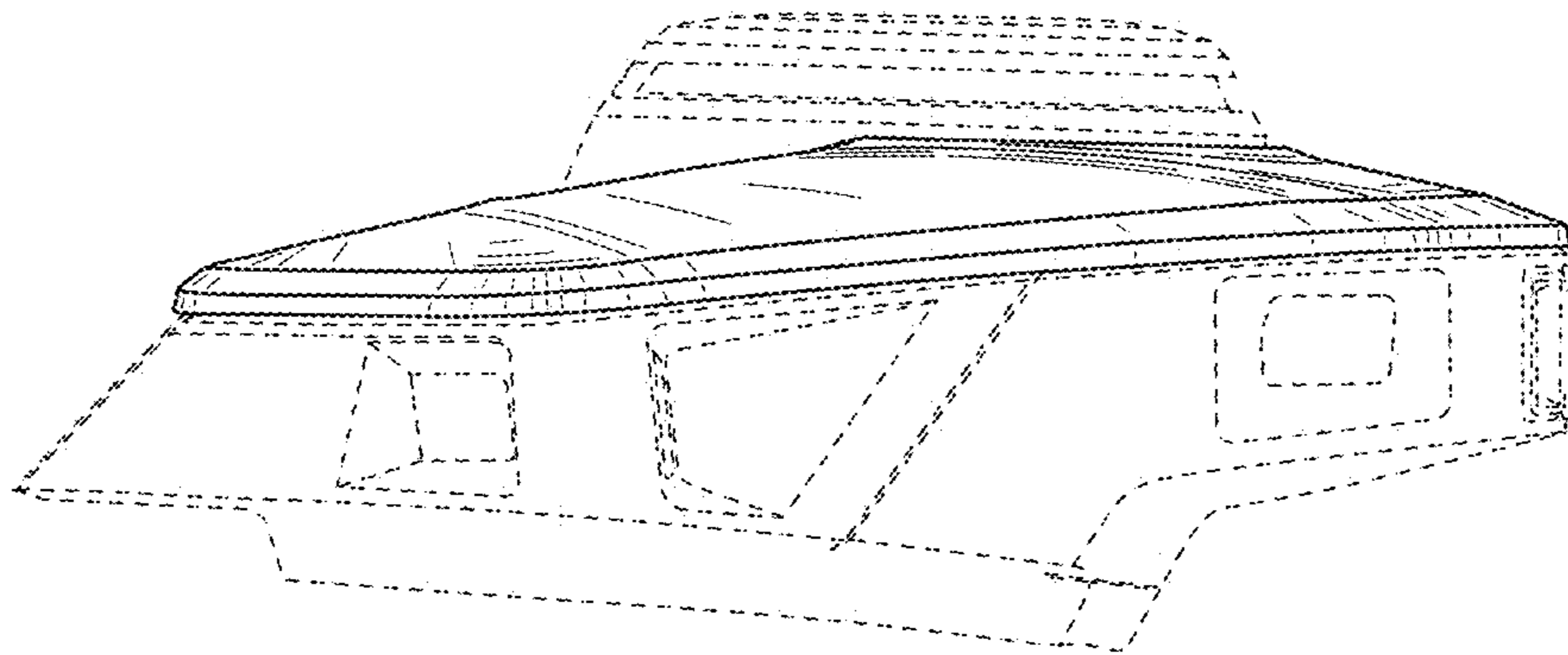


FIG. 8

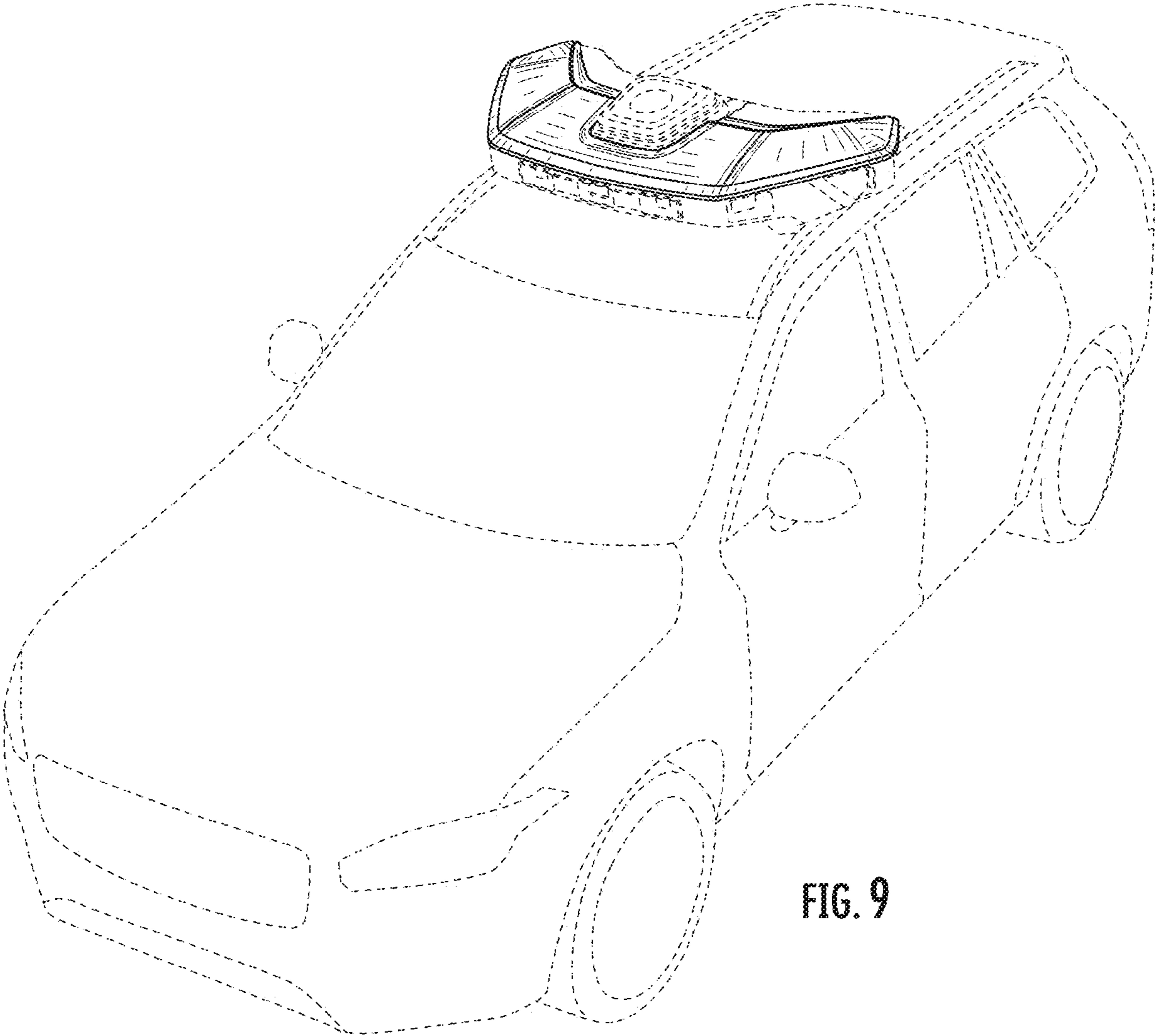


FIG. 9