



US00D881108S

(12) **United States Design Patent**
Campbell

(10) **Patent No.:** **US D881,108 S**

(45) **Date of Patent:** **** Apr. 14, 2020**

- (54) **EXTENDED MOTORCYCLE TOUR PACK**
- (71) Applicant: **Thomas A. Campbell**, Winter Springs, FL (US)
- (72) Inventor: **Thomas A. Campbell**, Winter Springs, FL (US)
- (**) Term: **15 Years**
- (21) Appl. No.: **29/672,503**
- (22) Filed: **Dec. 6, 2018**
- (51) **LOC (12) Cl.** **12-16**
- (52) **U.S. Cl.**
USPC **D12/407**; D12/410
- (58) **Field of Classification Search**
USPC D12/407-410, 114, 110, 126; D3/294, D3/273, 276, 281, 282, 231
CPC B62J 9/00; B62J 9/001; B62J 9/02; B62J 9/006; B62J 9/008; B62J 7/00
See application file for complete search history.

D462,933 S *	9/2002	Itakura	D12/410
D462,934 S *	9/2002	Itakura	D12/410
D480,680 S *	10/2003	Yonai	D12/410
D560,155 S *	1/2008	Godshaw	D12/409
D618,612 S *	6/2010	Asao	D12/409
D622,209 S *	8/2010	Shimizu	D12/409
D656,081 S *	3/2012	Yonai	D12/410
D670,230 S *	11/2012	Kataoka	D12/410
D685,717 S *	7/2013	Franklin	D12/410
D743,163 S *	11/2015	Alamdar	D3/231
D743,325 S *	11/2015	Seo	D12/410
2003/0066854 A1 *	4/2003	Heinrich	B62J 7/04 224/413
2004/0032674 A1 *	2/2004	Kusakari	B60J 3/0282 359/872

(Continued)

Primary Examiner — Michelle E. Wilson
Assistant Examiner — Clese Moore, Jr.
 (74) *Attorney, Agent, or Firm* — Jason T. Daniel, Esq.;
 Daniel Law Offices, P.A.

(57) **CLAIM**

The ornamental design for an extended motorcycle tour pack, as shown and described.

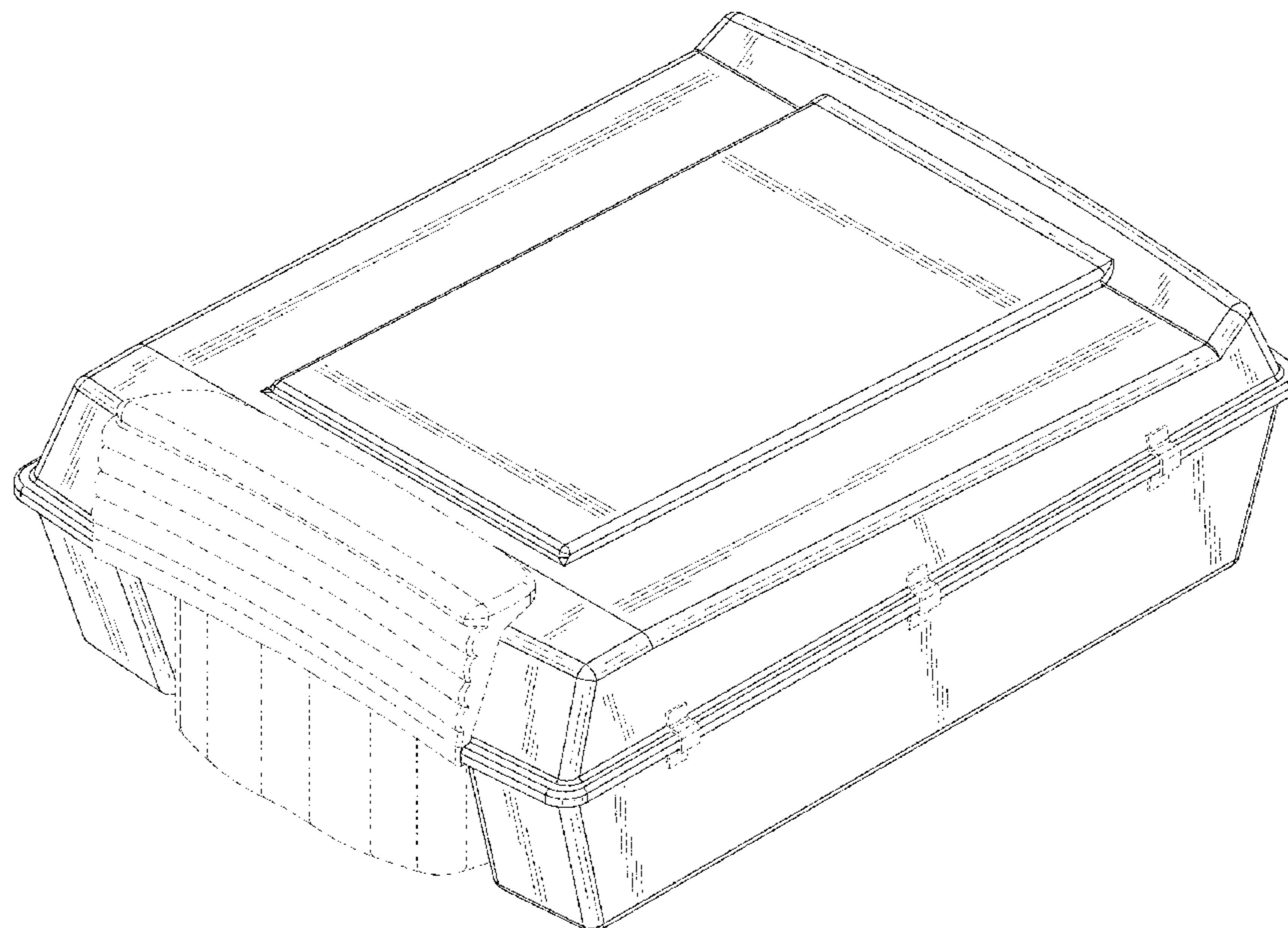
DESCRIPTION

FIG. 1 is a front perspective view thereof, FIG. 2 is a back perspective view thereof, FIG. 3 is a left side view thereof, FIG. 4 is a right side view thereof, FIG. 5 is a front side view thereof, FIG. 6 is a back side view thereof, FIG. 7 is a top side view thereof, FIG. 8 is a bottom side view thereof; and, FIG. 9 is a perspective view thereof. The broken lines shown illustrate portions of the extended motorcycle tour pack and the motorcycle in FIG. 9, represents environment that form no part of the claimed design.

1 Claim, 8 Drawing Sheets

(56) **References Cited**
 U.S. PATENT DOCUMENTS

D236,822 S *	9/1975	Larsen et al.	D12/410
D244,927 S *	7/1977	Anthon, III	D12/410
D258,650 S *	3/1981	Beaubien	D12/410
D259,780 S *	7/1981	Davidson	D12/410
D276,712 S *	12/1984	Kashio	D12/410
D282,061 S *	1/1986	Abe	D12/410
4,588,114 A *	5/1986	Lebaron	B62J 7/08 224/435
D287,237 S *	12/1986	Abe	D12/410
4,809,891 A *	3/1989	Patrin	B62J 7/04 224/413
D308,191 S *	5/1990	Yamada	D12/410
D309,127 S *	7/1990	Yamada	D12/410
D317,409 S *	6/1991	Chiarella	D3/294
D343,815 S *	2/1994	Kamata	D12/410
D454,532 S *	3/2002	Lourens	D12/410



(56)

References Cited

U.S. PATENT DOCUMENTS

2006/0162978 A1* 7/2006 Thompson B62J 9/00
180/219
2009/0114688 A1* 5/2009 Beeler A01K 1/0281
224/416
2013/0240584 A1* 9/2013 Nagayoshi B62J 9/00
224/413

* cited by examiner

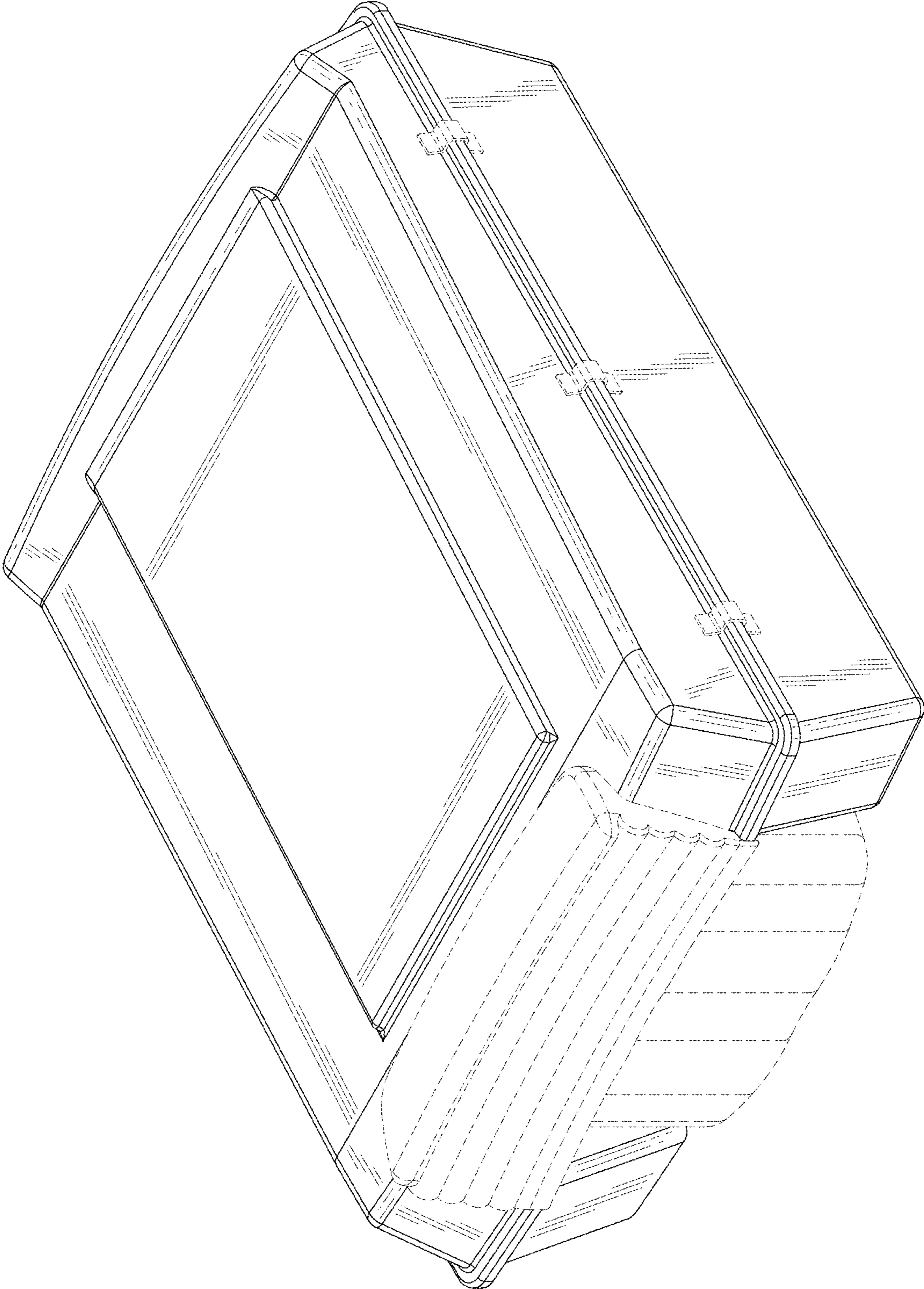


FIG. 1

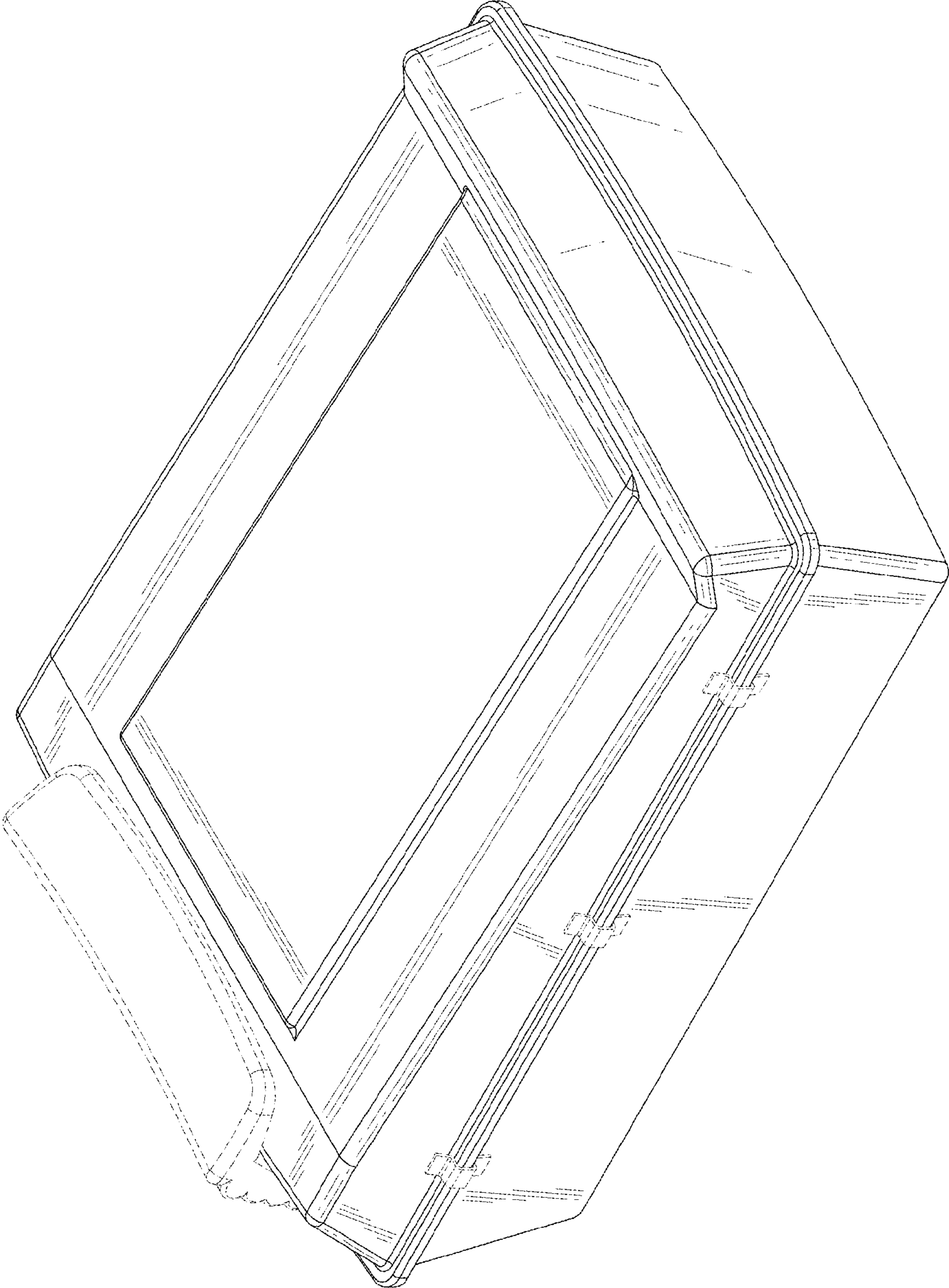


FIG. 2

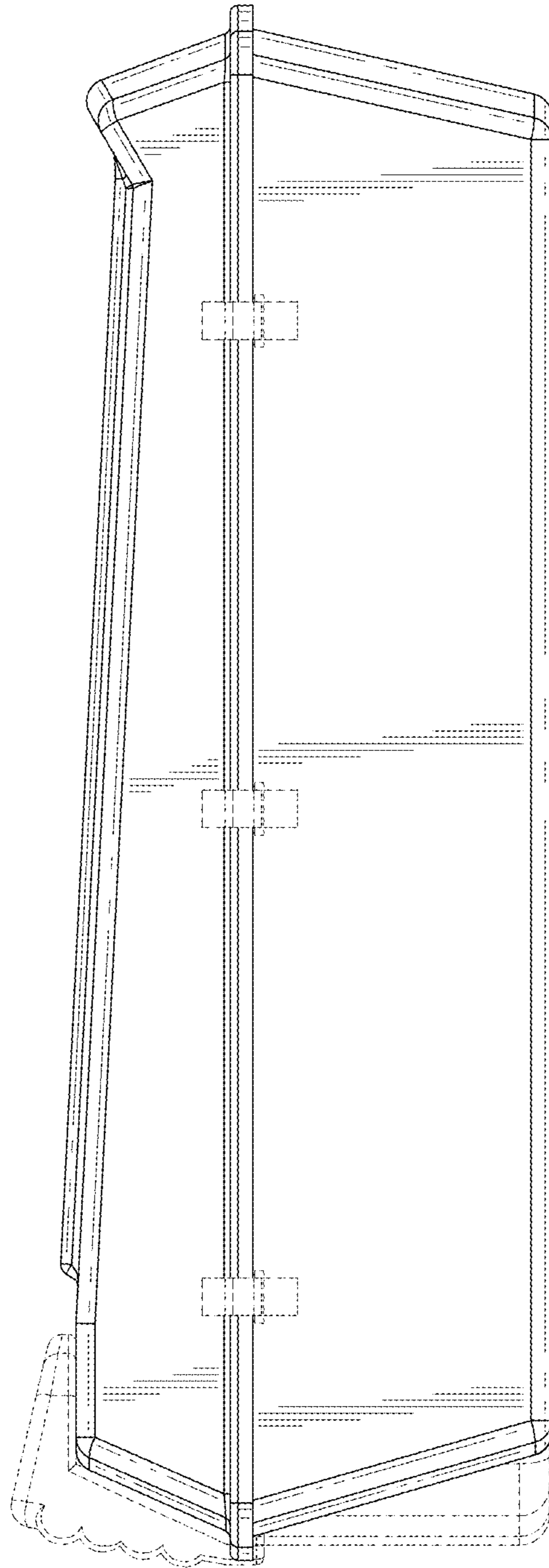


FIG. 3

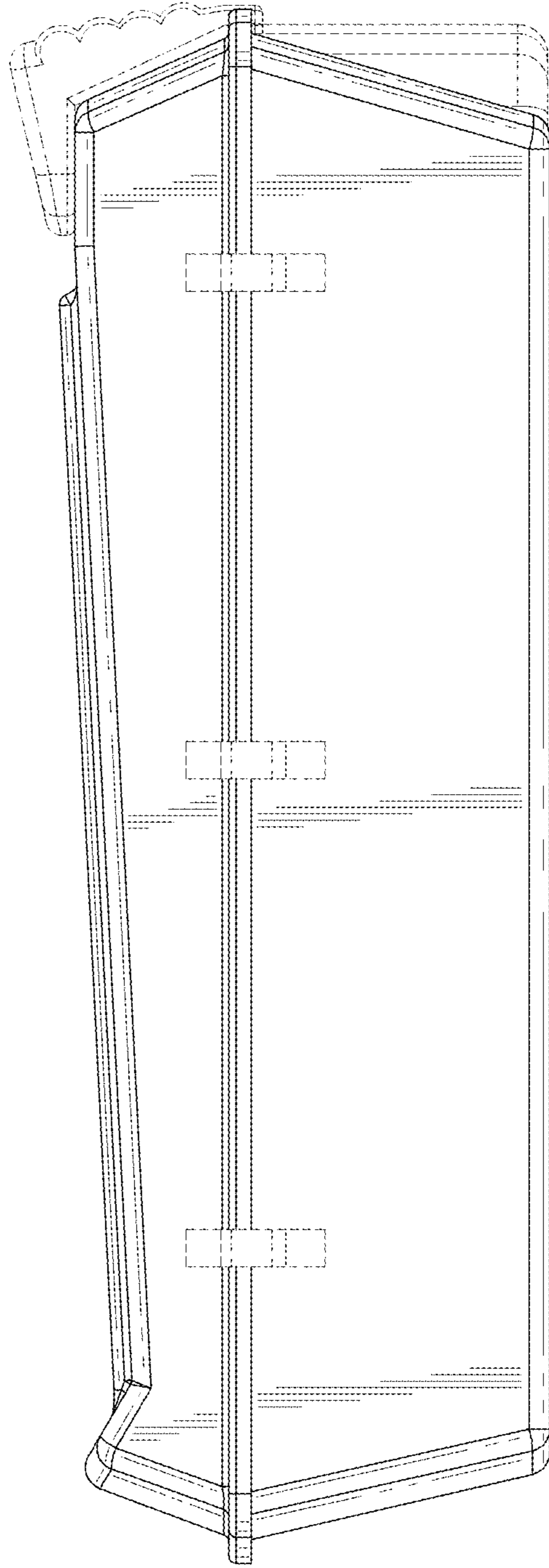


FIG. 4

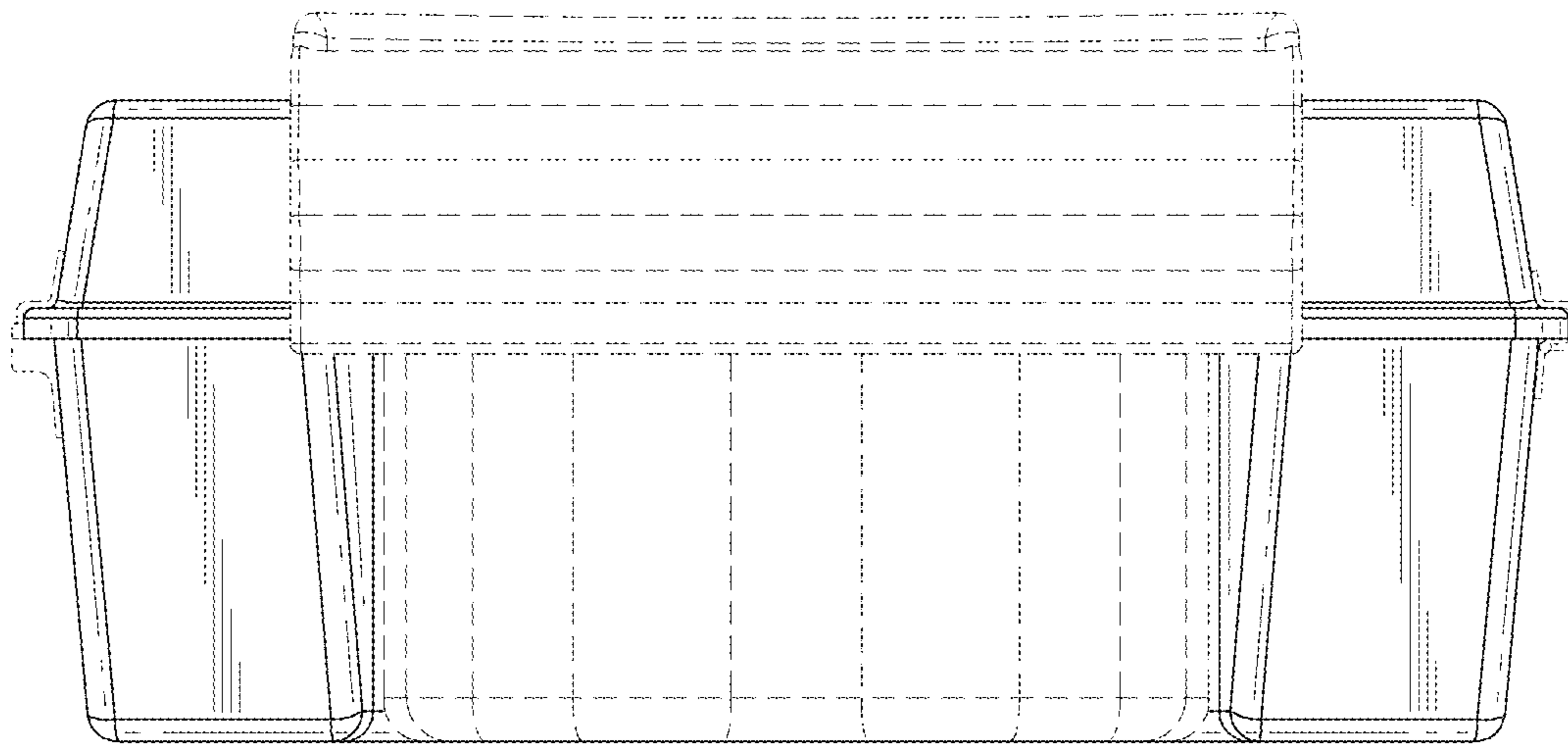


FIG. 5

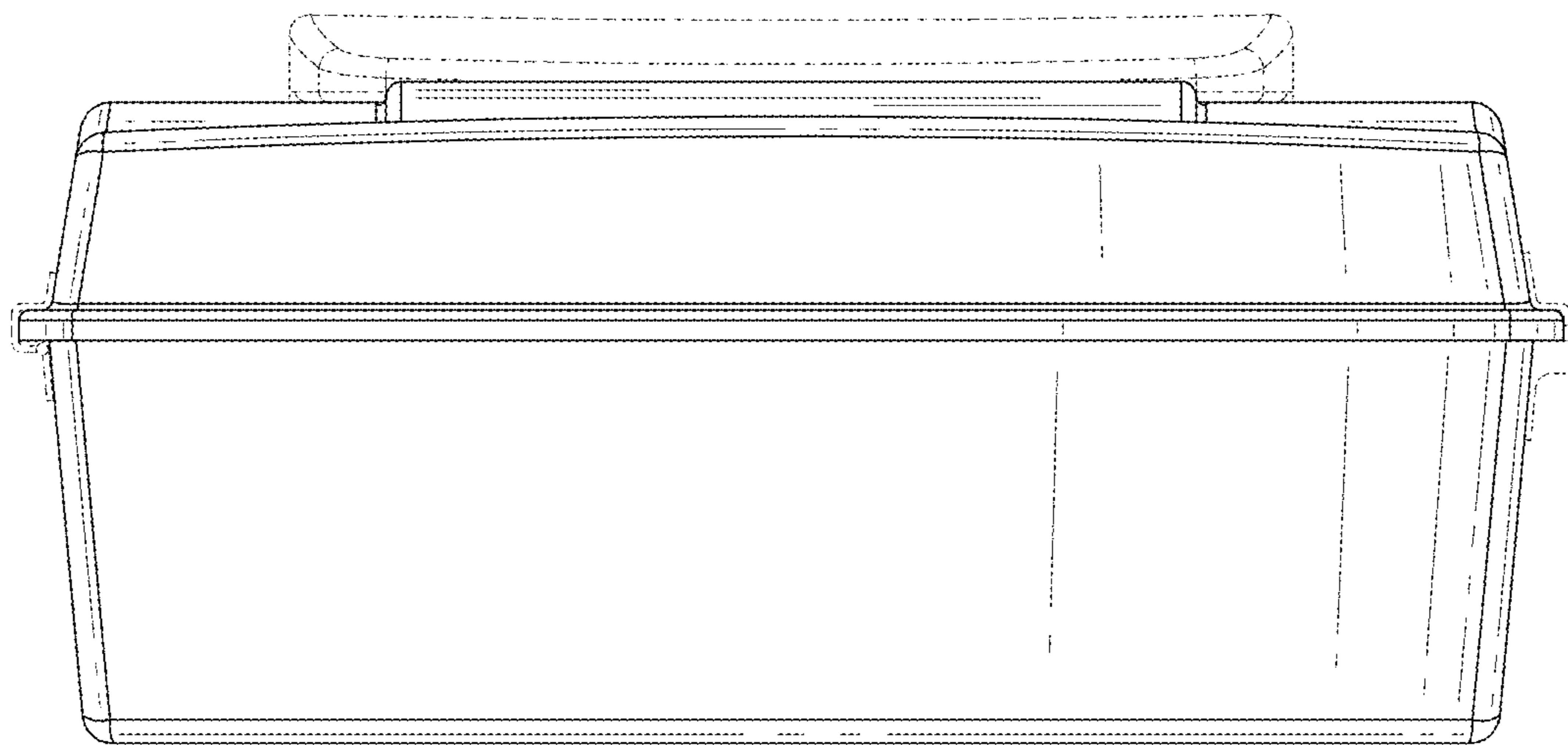


FIG. 6

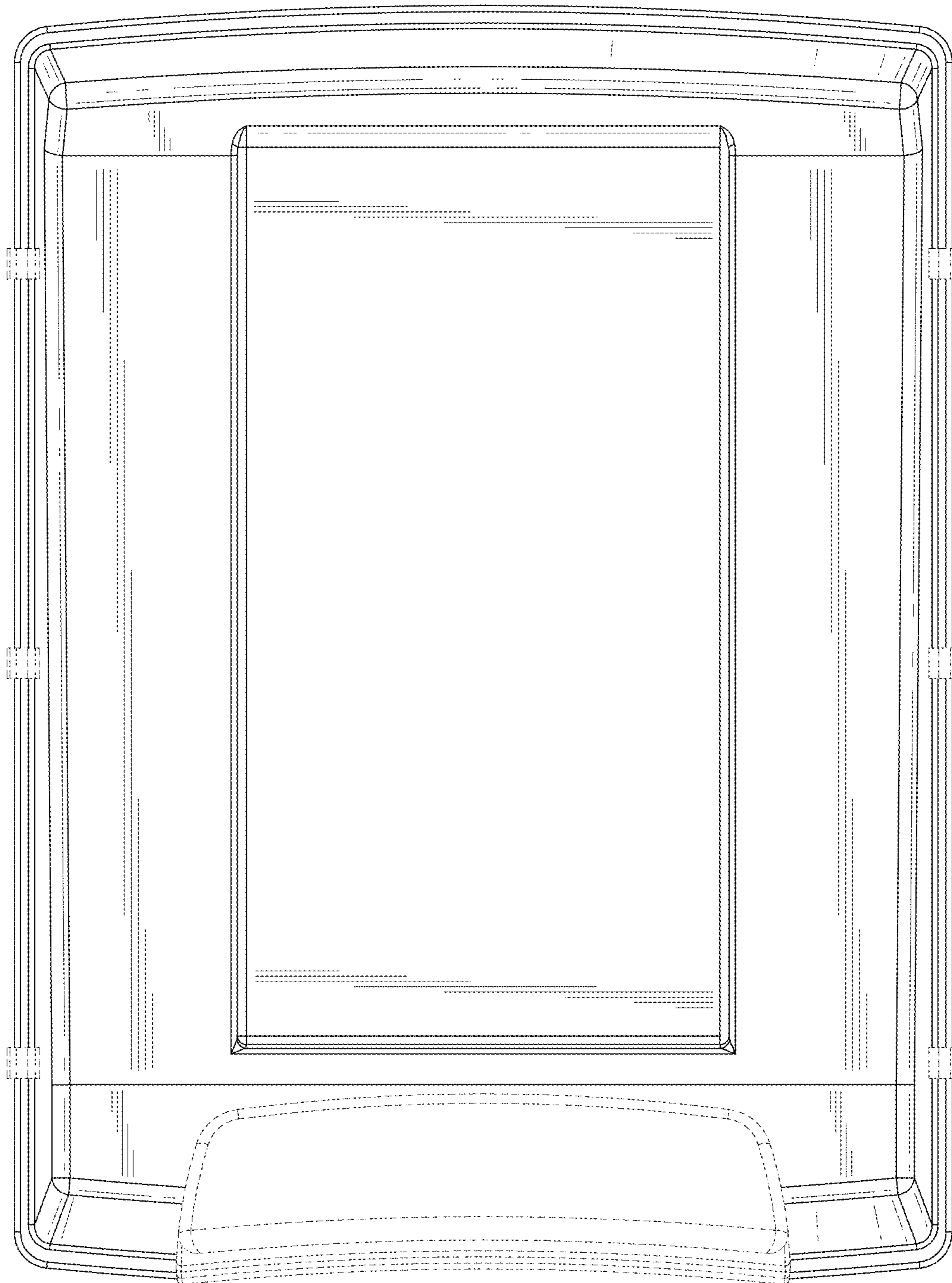


FIG. 7

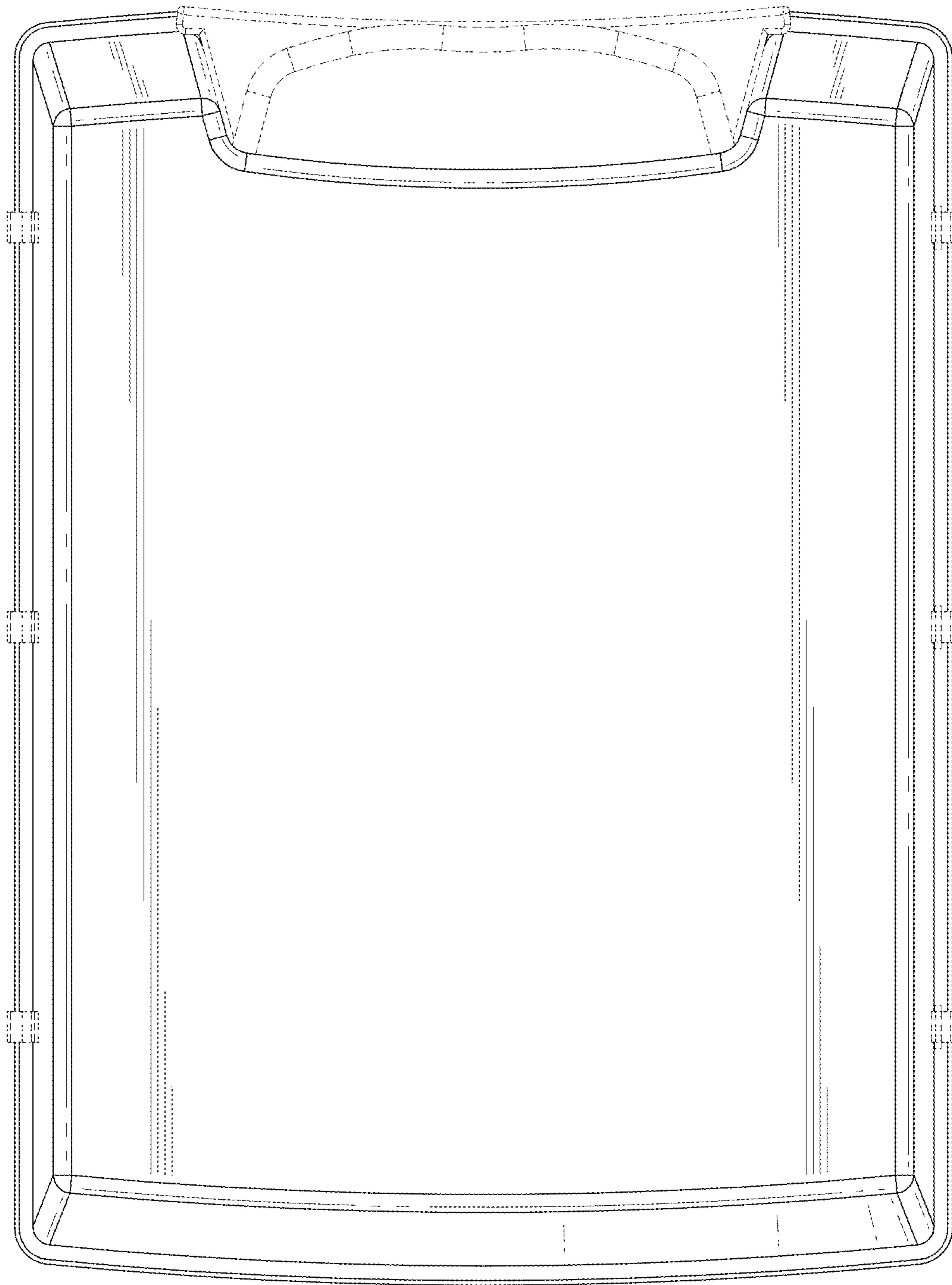


FIG. 8

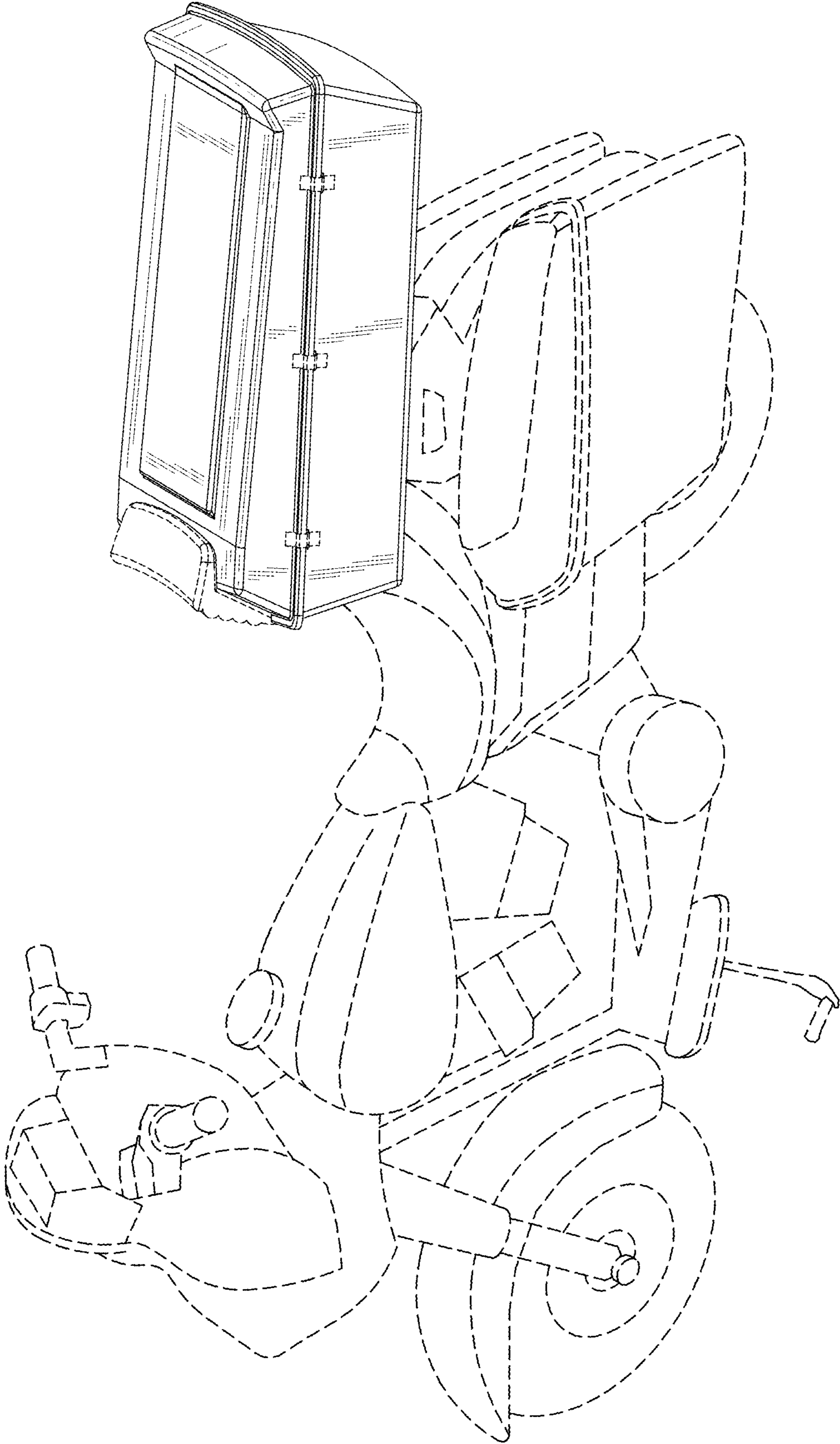


FIG. 9