



US00D881106S

(12) **United States Design Patent** (10) **Patent No.:** **US D881,106 S**  
**Parvizian et al.** (45) **Date of Patent:** **\*\* Apr. 14, 2020**

(54) **AIRCRAFT**  
(71) Applicant: **volans-i, Inc**, San Francisco, CA (US)  
(72) Inventors: **Hannan Parvizian**, San Francisco, CA (US); **Manuel Lopez**, Richmond, CA (US)  
(73) Assignee: **volans-i, Inc**, San Francisco, CA (US)  
(\*\*) Term: **15 Years**  
(21) Appl. No.: **29/660,599**  
(22) Filed: **Aug. 22, 2018**  
(51) **LOC (12) Cl.** ..... **12-01**  
(52) **U.S. Cl.**  
USPC ..... **D12/319**  
(58) **Field of Classification Search**  
USPC ..... D12/1-4, 16.1, 319-345; D21/436-454  
CPC ..... B64C 39/024; B64C 13/16; B64C 19/00;  
B64C 2201/021; B64C 2201/141; B60H  
1/3442  
See application file for complete search history.

8,596,571 B2 \* 12/2013 Goelet ..... B64B 1/06  
244/30  
9,120,560 B1 9/2015 Armer et al.  
D740,201 S \* 10/2015 Wang ..... D12/326  
D741,247 S 10/2015 Brody And Olcott  
9,783,291 B2 \* 10/2017 Kummer ..... B64C 29/0025  
9,802,690 B2 \* 10/2017 Goelet ..... B64D 1/02  
D803,724 S \* 11/2017 Zhou ..... D12/16.1  
9,836,065 B2 \* 12/2017 Frolov ..... G05D 1/104  
D808,329 S \* 1/2018 Parks ..... D12/328  
D816,583 S \* 5/2018 Dutertre ..... D12/328  
10,252,797 B2 \* 4/2019 Vondrell ..... B64C 3/32  
2004/0245374 A1 12/2004 Morgan  
2009/0008499 A1 1/2009 Shaw  
2012/0234968 A1 \* 9/2012 Smith ..... B64C 29/0033  
244/12.3  
2015/0314867 A1 \* 11/2015 Razroev ..... B64C 29/0033  
244/119

(Continued)

*Primary Examiner* — Marissa J Cash  
(74) *Attorney, Agent, or Firm* — Cognition IP, P.C.;  
Bryant Lee

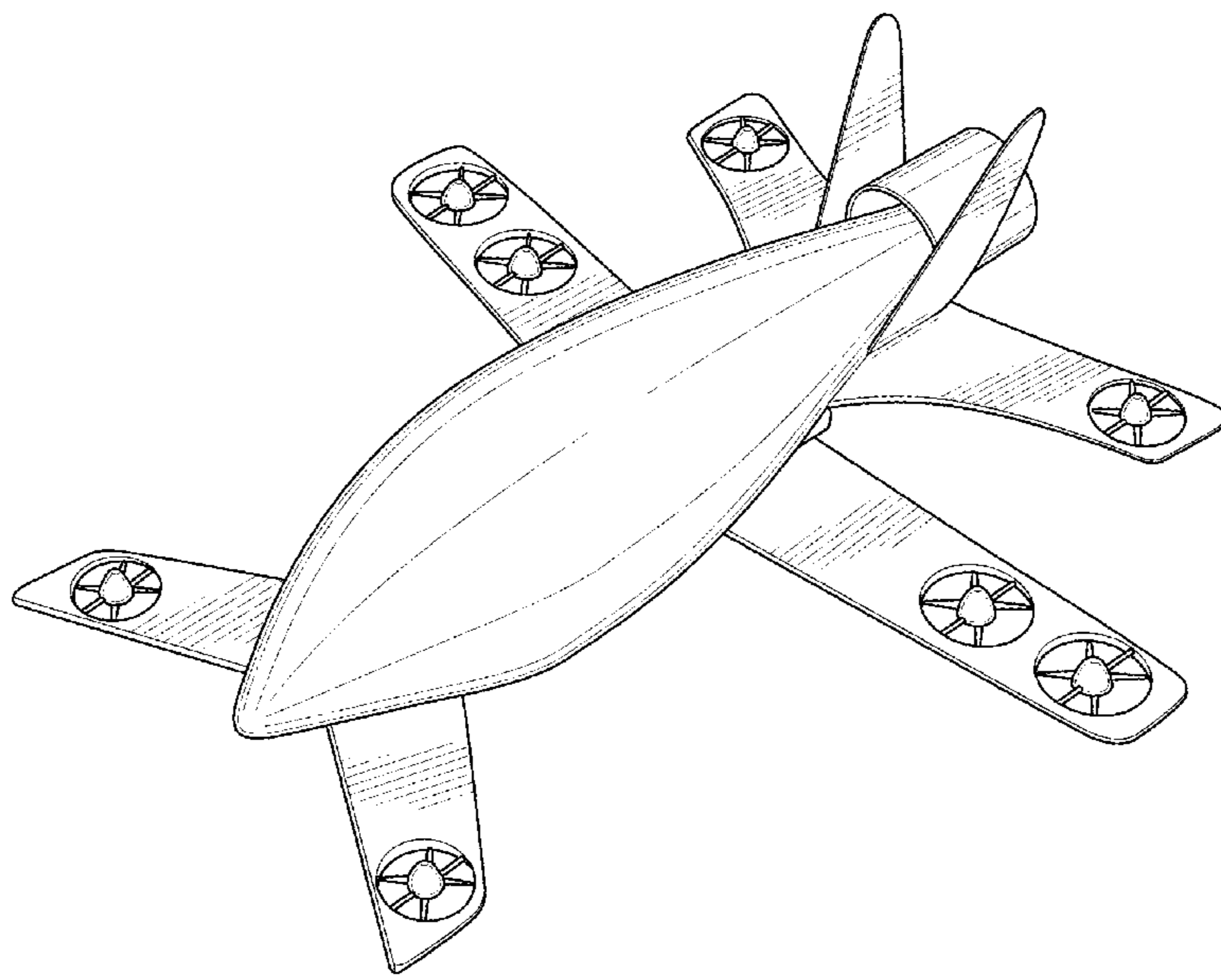
(57) **CLAIM**  
The ornamental design for an aircraft, as shown and described.

(56) **References Cited**  
U.S. PATENT DOCUMENTS  
D194,817 S \* 3/1963 Paxhia ..... D12/330  
D196,213 S \* 9/1963 Paxhia ..... D12/330  
3,360,217 A \* 12/1967 Trotter ..... B64C 29/0033  
244/12.4  
5,407,150 A \* 4/1995 Sadleir ..... B64C 29/0025  
244/12.4  
D454,109 S \* 3/2002 Moshier ..... D12/319  
D498,201 S 11/2004 Moller  
7,472,863 B2 \* 1/2009 Pak ..... A63H 27/14  
244/12.5  
D634,257 S \* 3/2011 Alexander ..... D12/326  
D665,333 S 8/2012 Oliver  
D678,169 S \* 3/2013 Kennelly ..... D12/319  
D696,618 S \* 12/2013 Wang ..... D12/326

**DESCRIPTION**

FIG. 1 is a top perspective view of an aircraft showing my new design;  
FIG. 2 is a top plan view thereof;  
FIG. 3 is a bottom plan view thereof;  
FIG. 4 is a front elevation view thereof;  
FIG. 5 is a rear elevation view thereof;  
FIG. 6 is a right side elevation view thereof; and,  
FIG. 7 is a left side elevation view thereof.  
The broken lines in the drawings showing elements of the aircraft represent unclaimed portions of the aircraft and form no part of the claimed design.

**1 Claim, 5 Drawing Sheets**



(56)

**References Cited**

U.S. PATENT DOCUMENTS

2015/0360775 A1\* 12/2015 Arai ..... B64D 27/24  
244/12.1  
2016/0009387 A1\* 1/2016 Kummer ..... B64C 29/0025  
244/6

\* cited by examiner

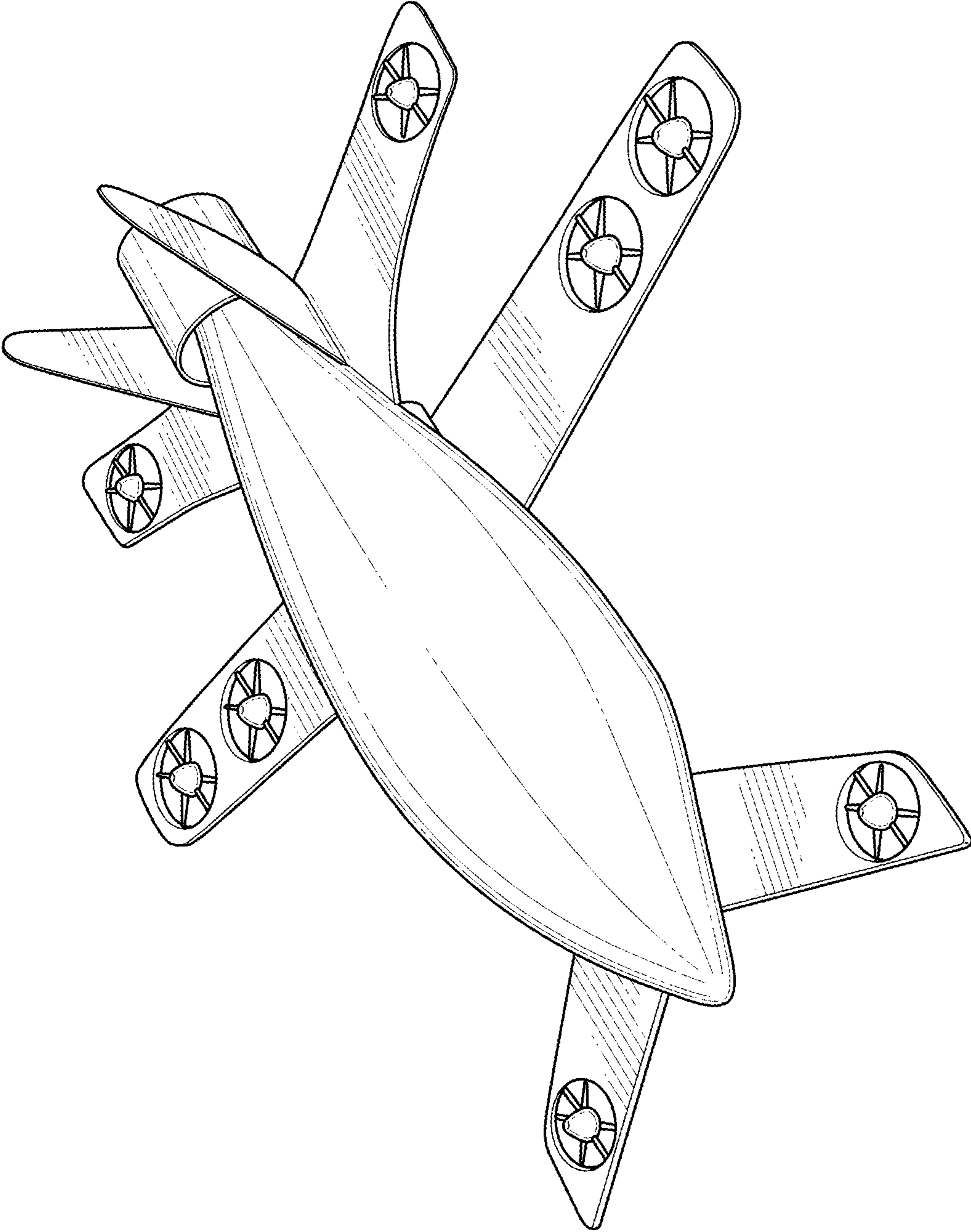


FIG. 1

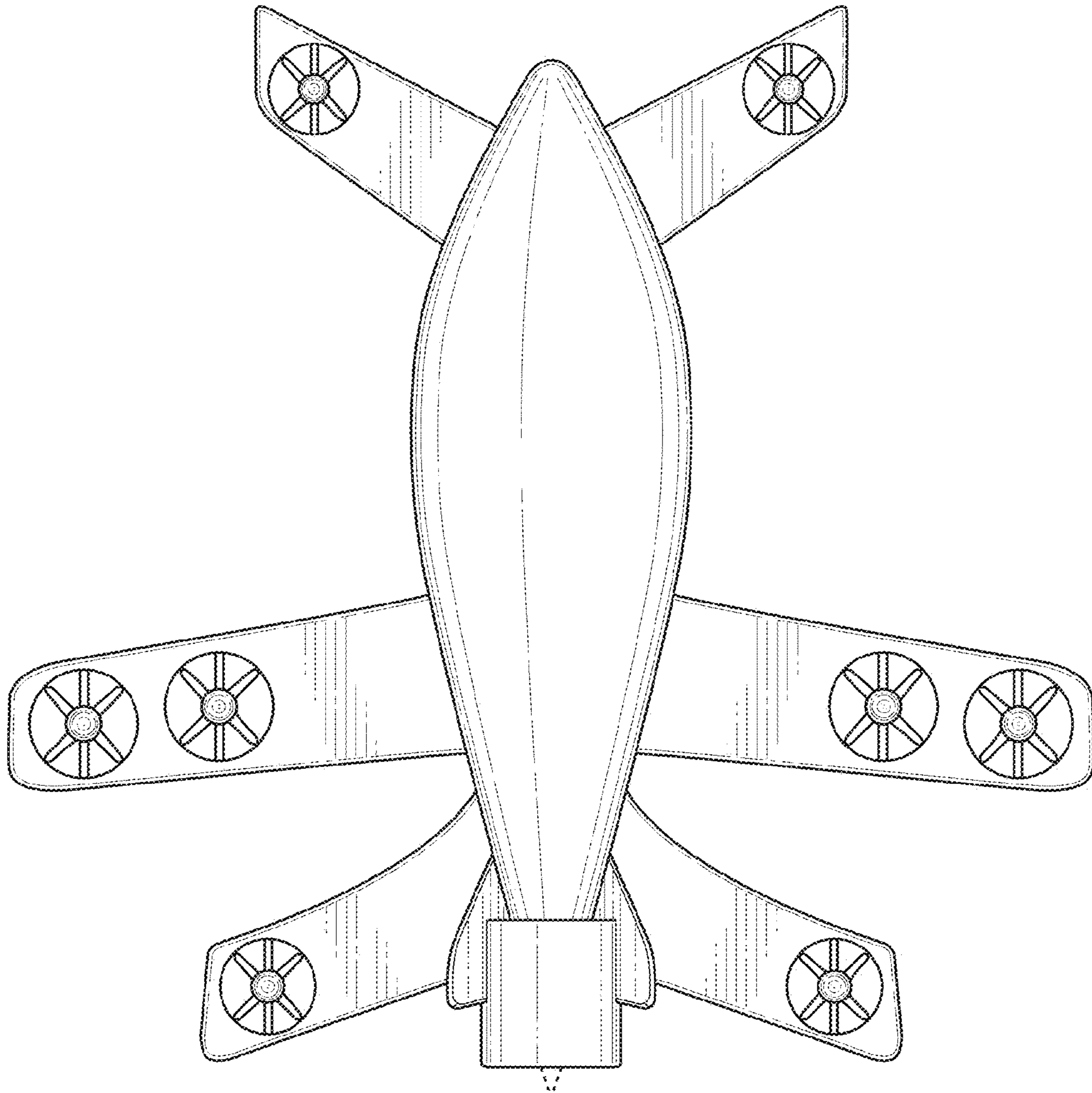


FIG. 2

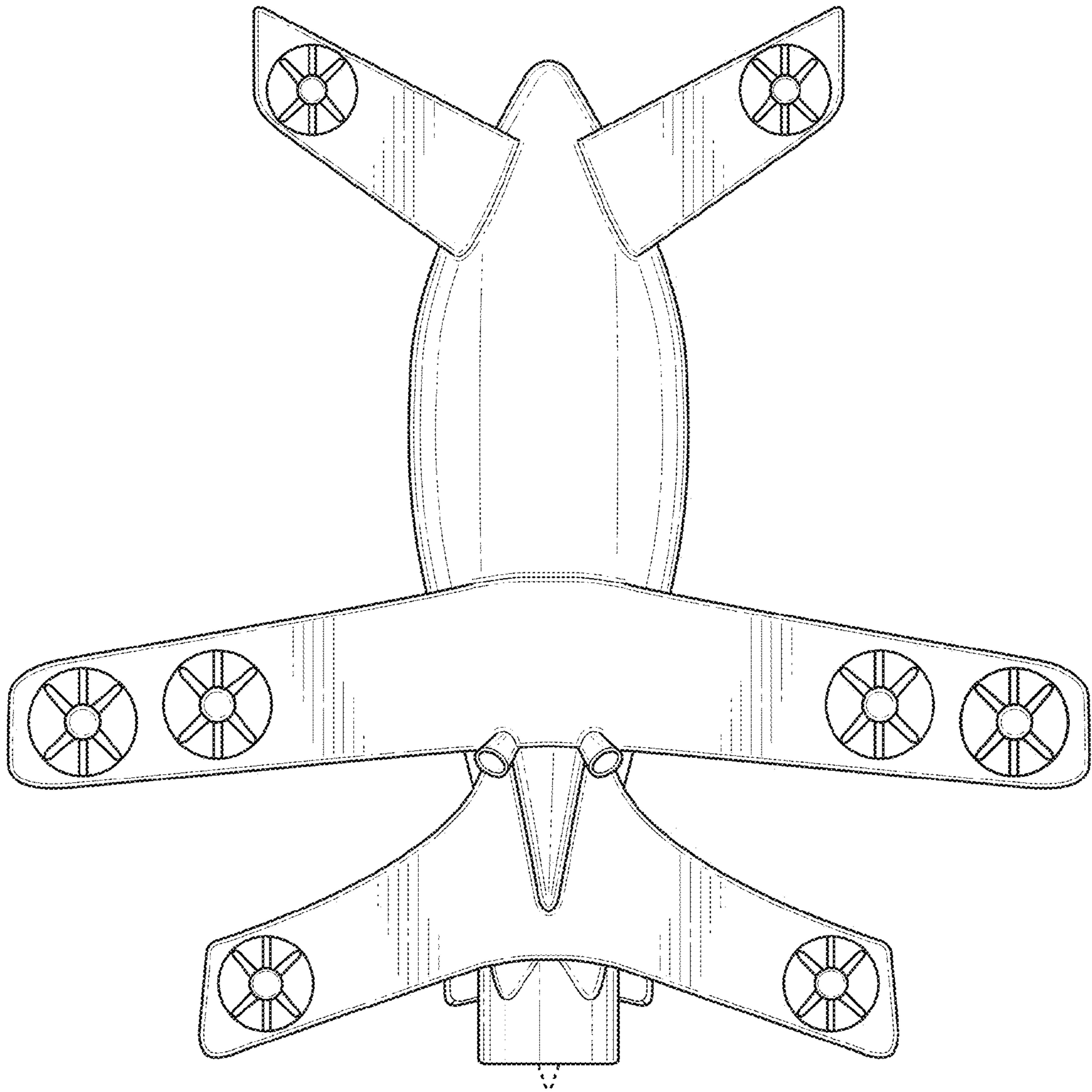


FIG. 3

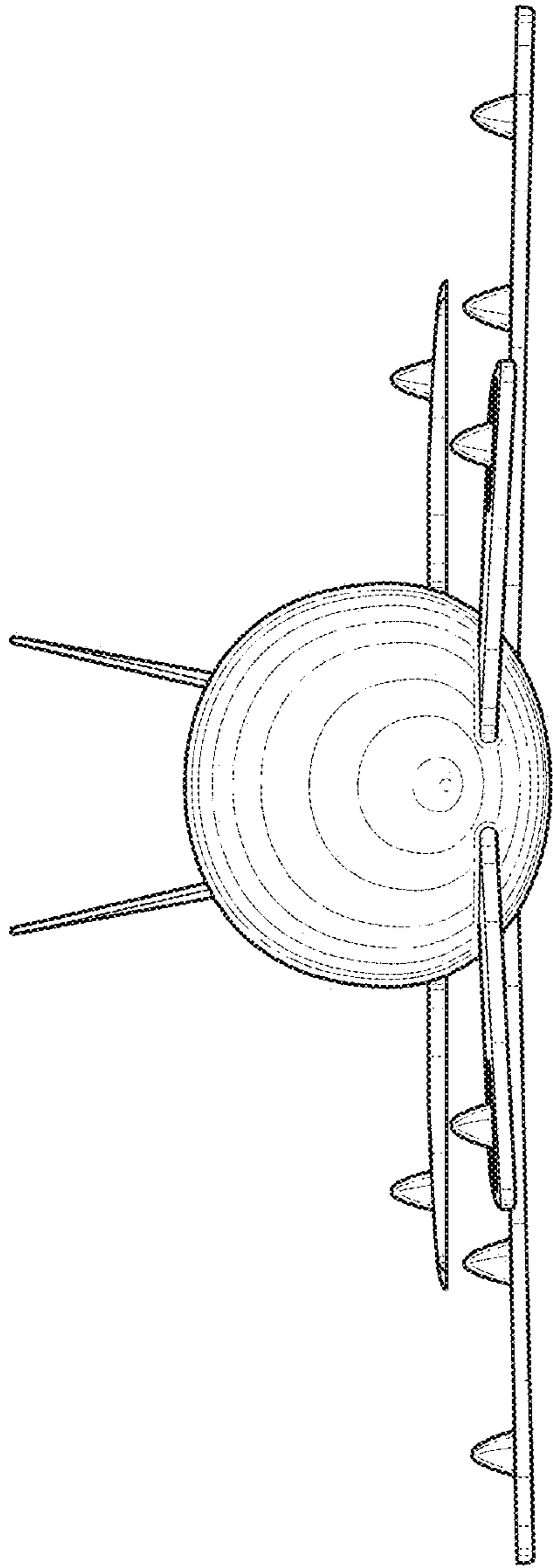


FIG. 4

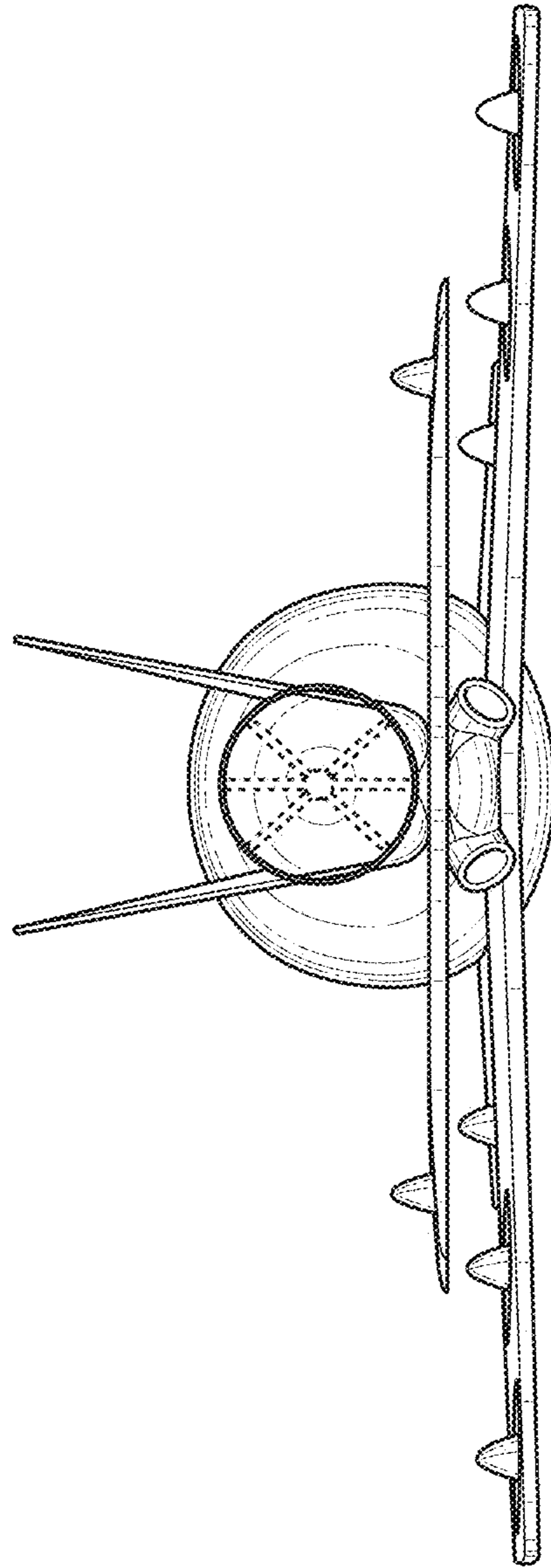


FIG. 5

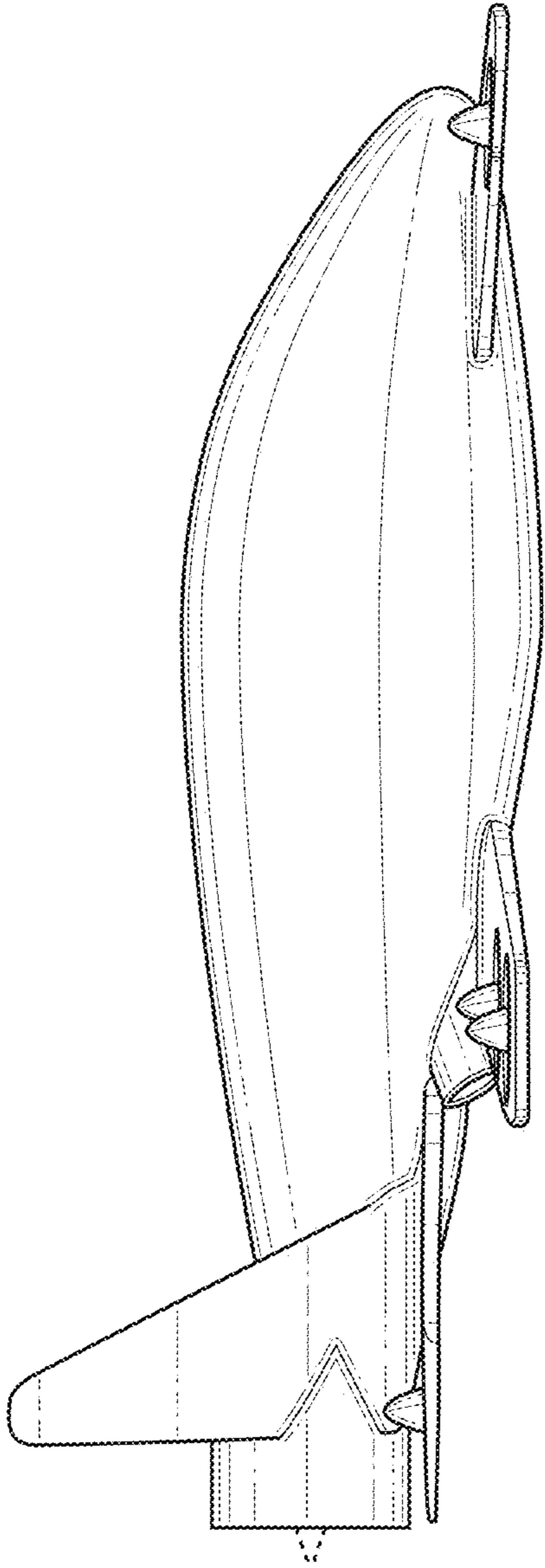


FIG. 6



FIG. 7