



US00D881105S

(12) **United States Design Patent** (10) **Patent No.:** **US D881,105 S**
McGinley et al. (45) **Date of Patent:** **** Apr. 14, 2020**

(54) **VEHICLE CHARGE PORT COVER**
(71) Applicant: **Harley-Davidson Motor Company Group, LLC, Milwaukee, WI (US)**
(72) Inventors: **Ben McGinley, Glendale, WI (US); Brad Richards, Grafton, WI (US); Kirk Rasmussen, Springville, UT (US); Brian Michael Silovich, Waukesha, WI (US); Nathan Abplanalp, Milwaukee, WI (US)**
(73) Assignee: **Harley-Davidson Motor Company Group, LLC, Milwaukee, WI (US)**
(**) Term: **15 Years**
(21) Appl. No.: **29/658,214**
(22) Filed: **Jul. 30, 2018**
(51) **LOC (12) Cl.** **12-06**
(52) **U.S. Cl.**
USPC **D12/218**
(58) **Field of Classification Search**
USPC D12/110, 197, 218, 223; D9/435-454
CPC B60K 15/03; B60K 15/07; B62J 35/00; B62K 11/00; B62K 11/04
See application file for complete search history.

D590,323 S * 4/2009 Kishi D12/218
D595,633 S * 7/2009 Channel D12/218
D599,271 S * 9/2009 Nagata D12/218
D621,773 S * 8/2010 Norman D12/218
D626,055 S * 10/2010 Watson D12/218
D632,630 S * 2/2011 Watson D12/218
D636,717 S * 4/2011 Nishimoto D12/218
8,317,376 B2 * 11/2012 Hook B60Q 1/2661 362/459
D737,192 S * 8/2015 Yaffe D12/218
D753,552 S * 4/2016 McGinley D12/110
9,463,702 B2 * 10/2016 Fukushima H01R 13/506
D791,676 S * 7/2017 Ozawa D12/218

* cited by examiner

Primary Examiner — Darlington Ly

(74) *Attorney, Agent, or Firm* — Michael Best & Friedrich LLP

(57) **CLAIM**

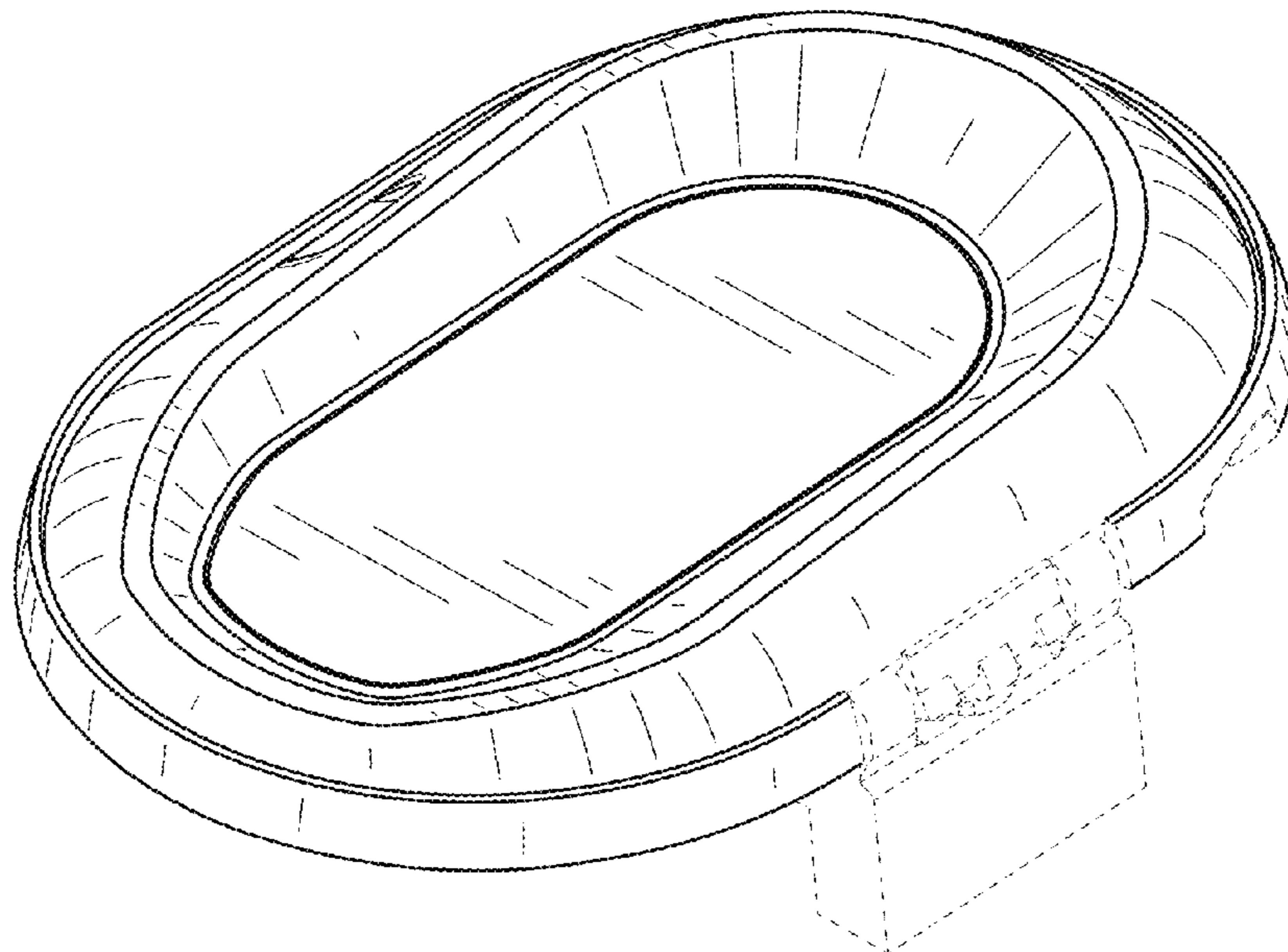
We claim the ornamental design for a vehicle charge port cover, as shown and described.

DESCRIPTION

FIG. 1 is a front perspective view of a vehicle charge port cover showing our new design;
FIG. 2 is a rear perspective view thereof;
FIG. 3 is a front elevation view thereof;
FIG. 4 is a rear elevation view thereof;
FIG. 5 is a right side elevation view thereof;
FIG. 6 is a left side elevation view thereof;
FIG. 7 is a top plan view thereof;
FIG. 8 is a bottom plan view thereof; and,
FIG. 9 is a rear perspective view thereof as installed on an exemplary motorcycle.
The broken line showing of the motorcycle illustrates environmental structure, while all other broken lines illustrate portions of the vehicle charge port cover. No subject matter shown in broken lines form part of the claimed design.

1 Claim, 9 Drawing Sheets

(56) **References Cited**
U.S. PATENT DOCUMENTS
D498,452 S * 11/2004 James D12/218
D498,727 S * 11/2004 Uemoto D12/218
D502,439 S * 3/2005 Horstmann D12/218
D508,887 S * 8/2005 Toy D12/218
D511,489 S * 11/2005 Armstrong D12/218
D512,951 S * 12/2005 Alsop D12/218
D514,498 S * 2/2006 Alsop D12/218
D558,120 S * 12/2007 Watson D12/218
D588,054 S * 3/2009 Xi-Ren D12/218



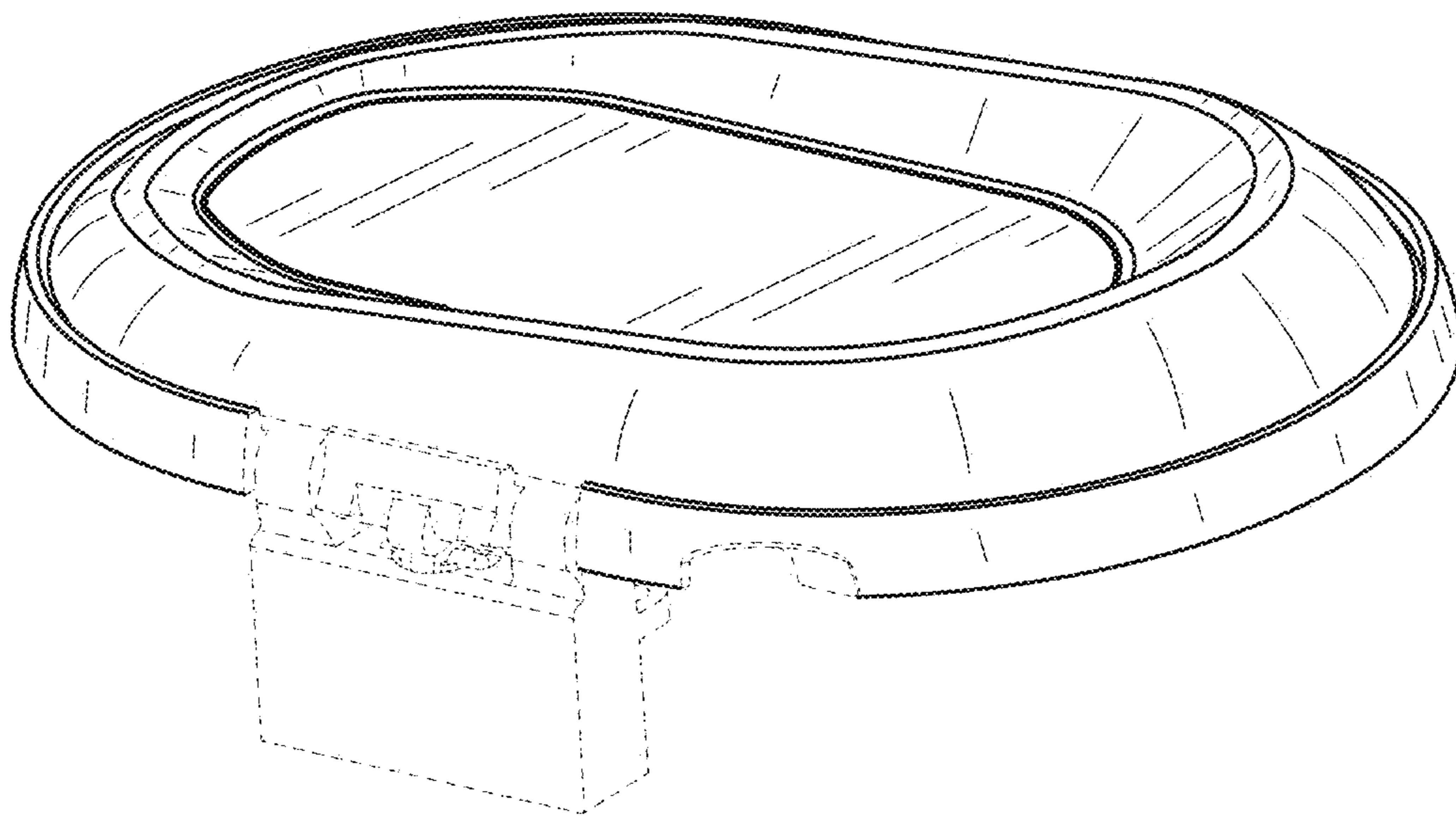


FIG. 1

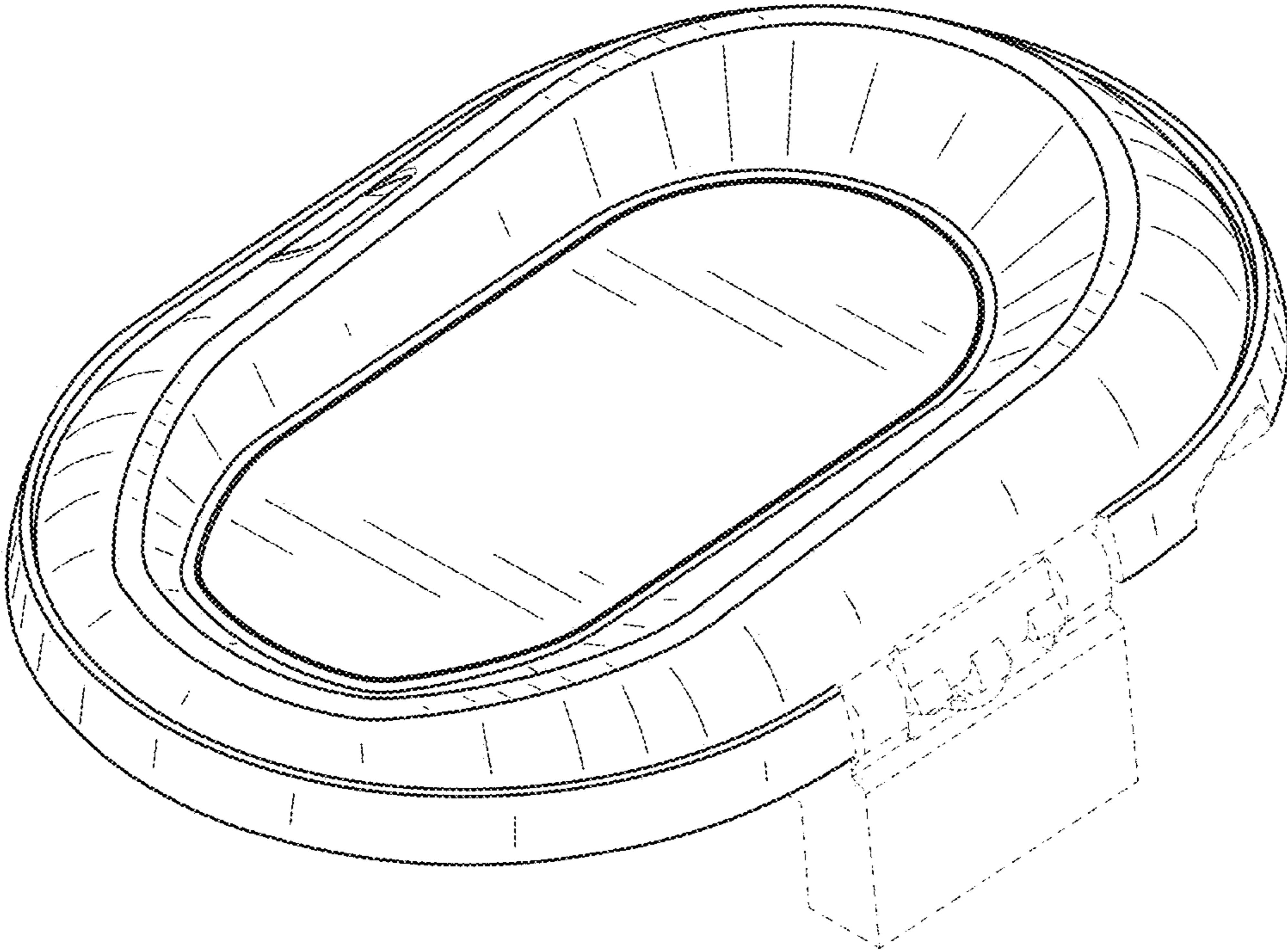


FIG. 2

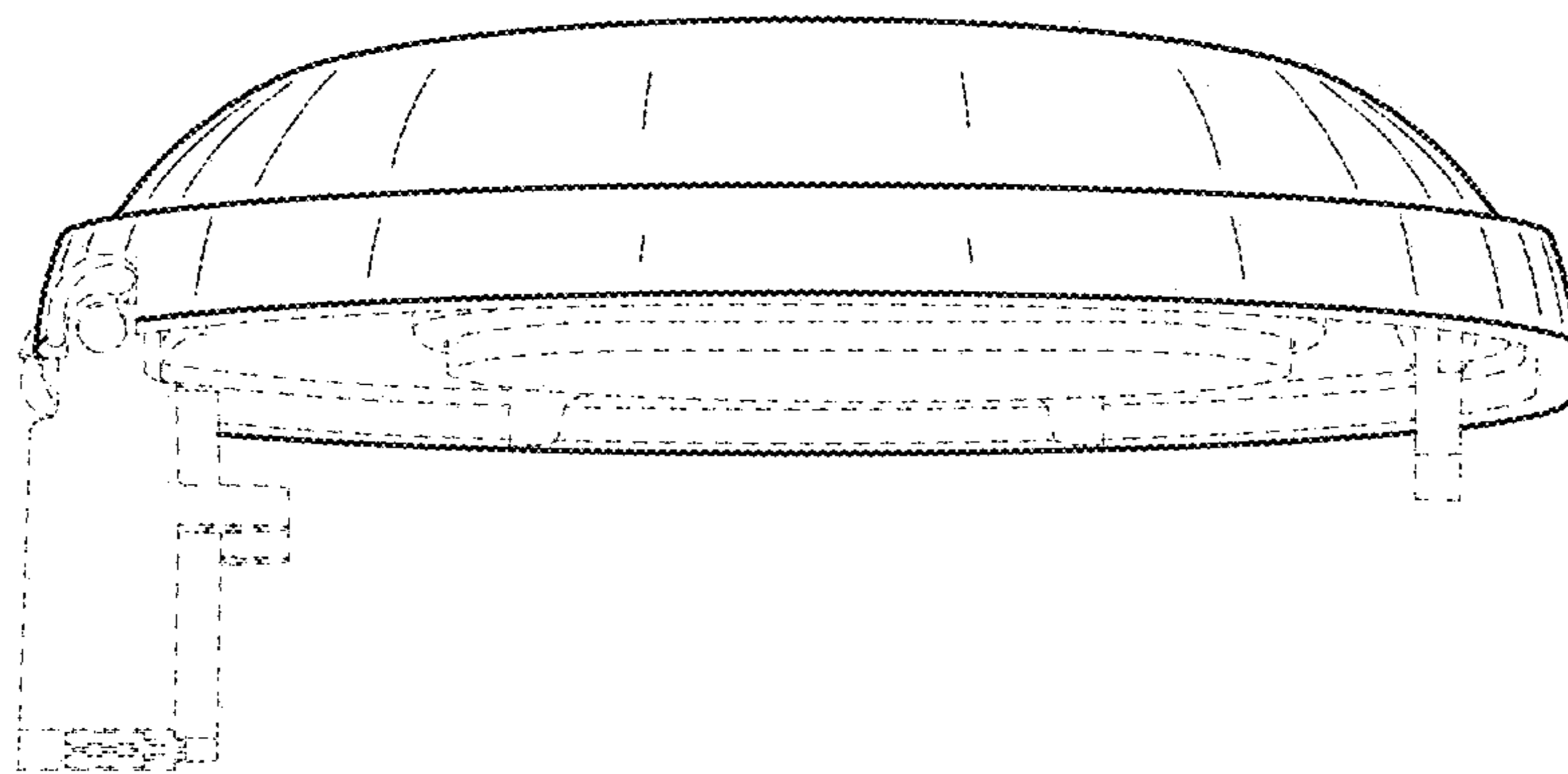


FIG. 3

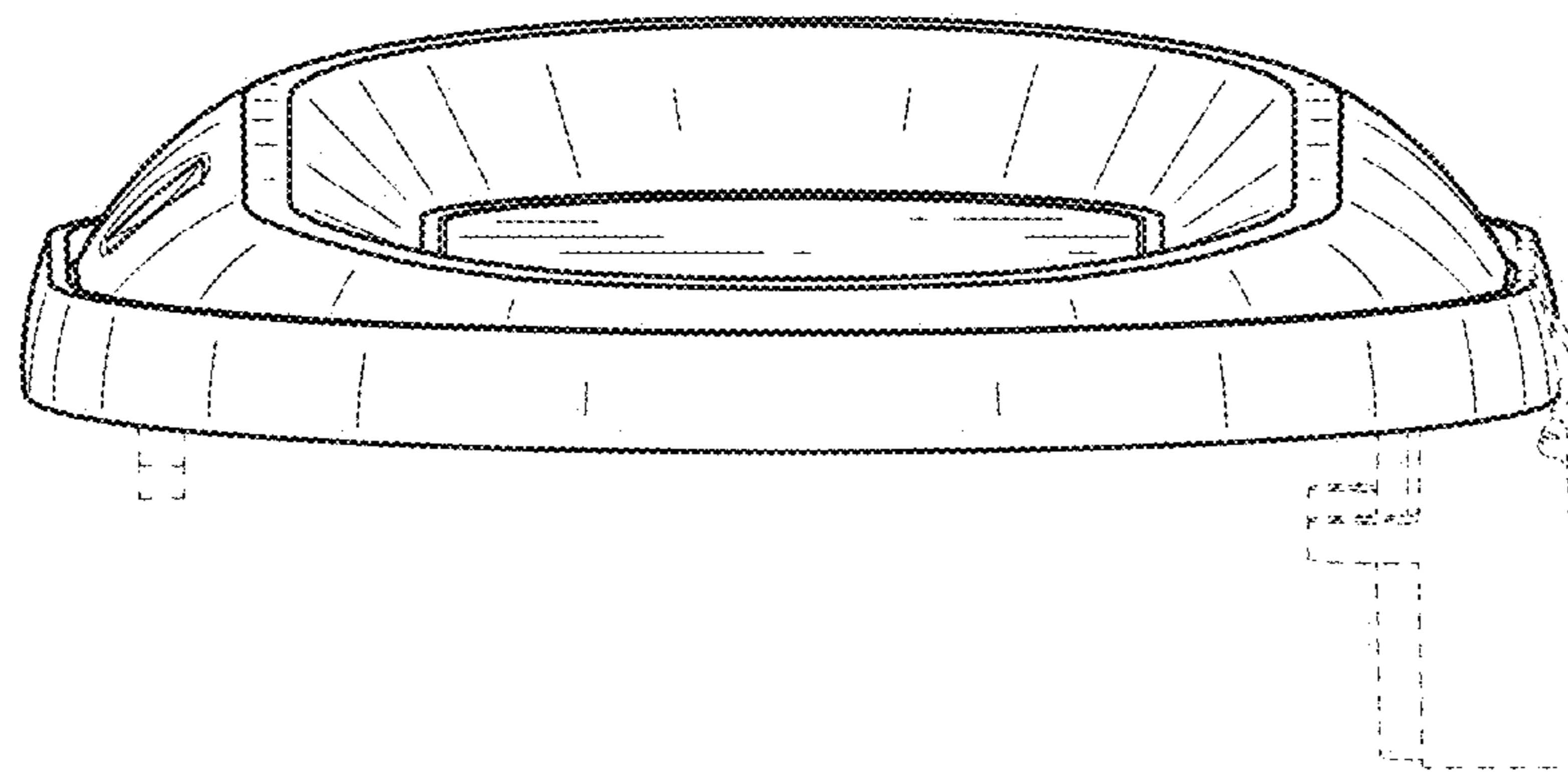


FIG. 4

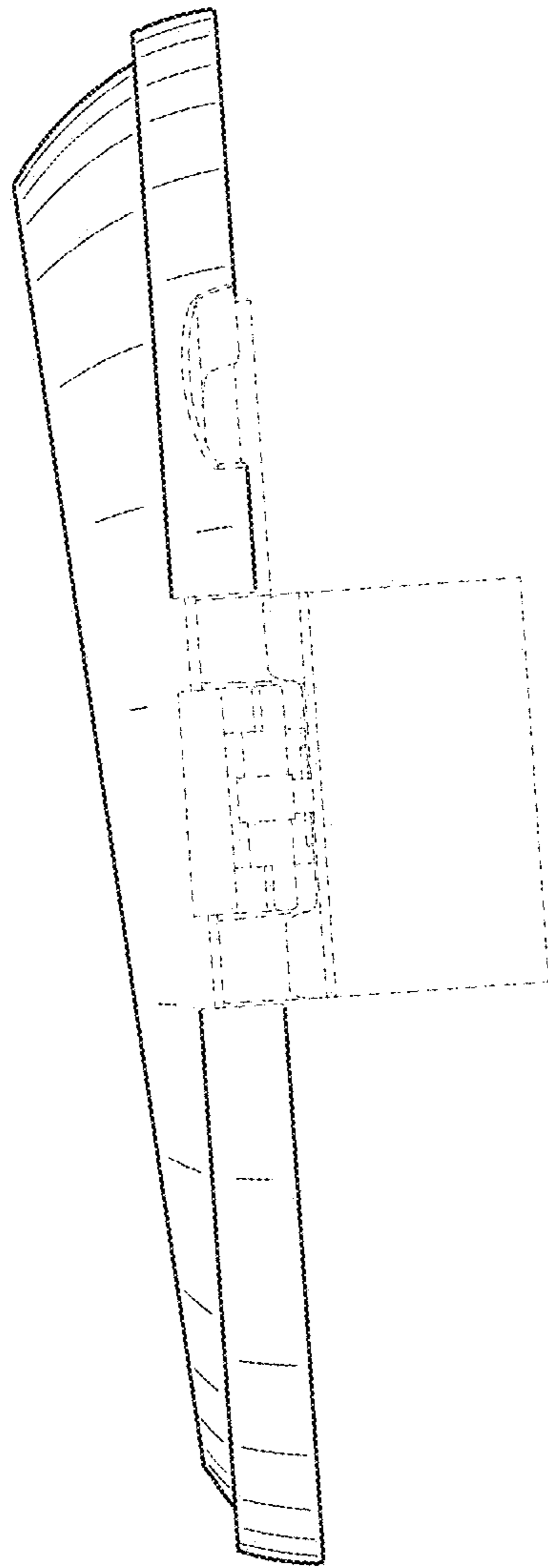


FIG. 5

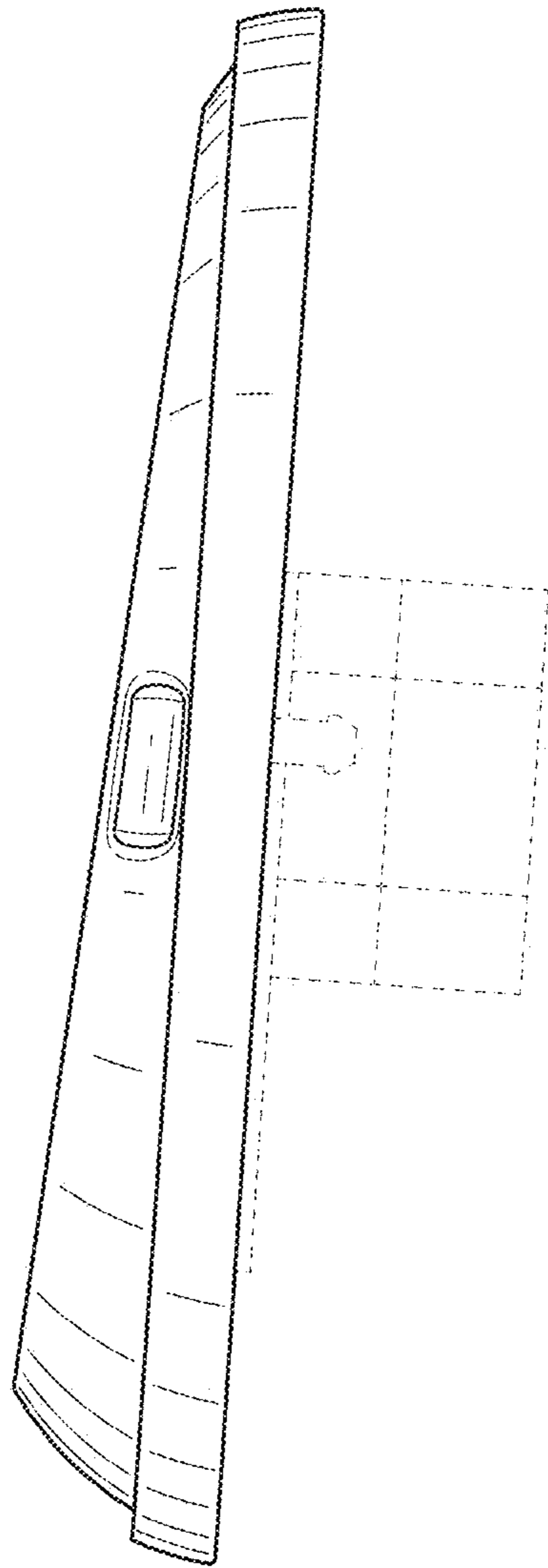


FIG. 6

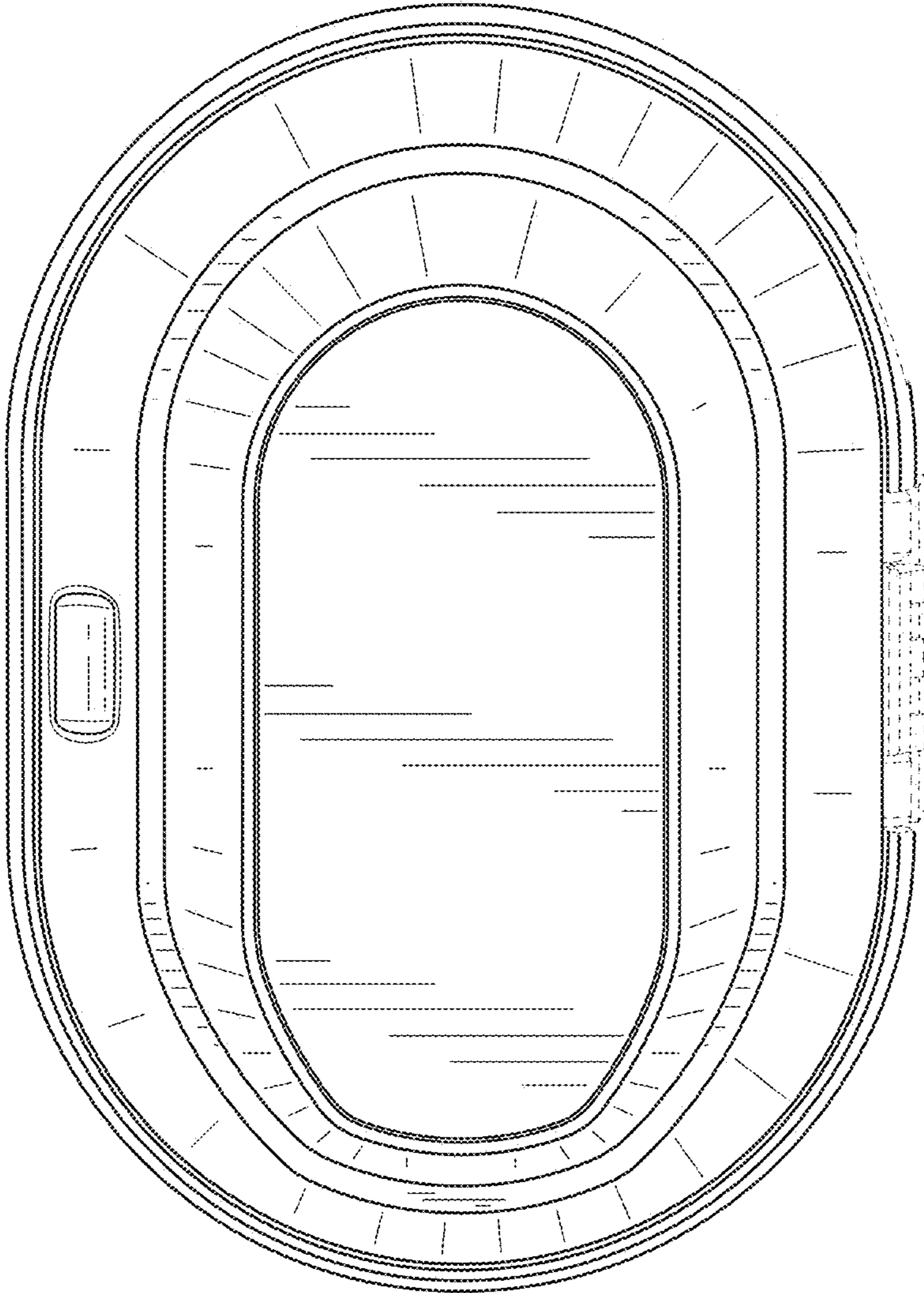


FIG. 7

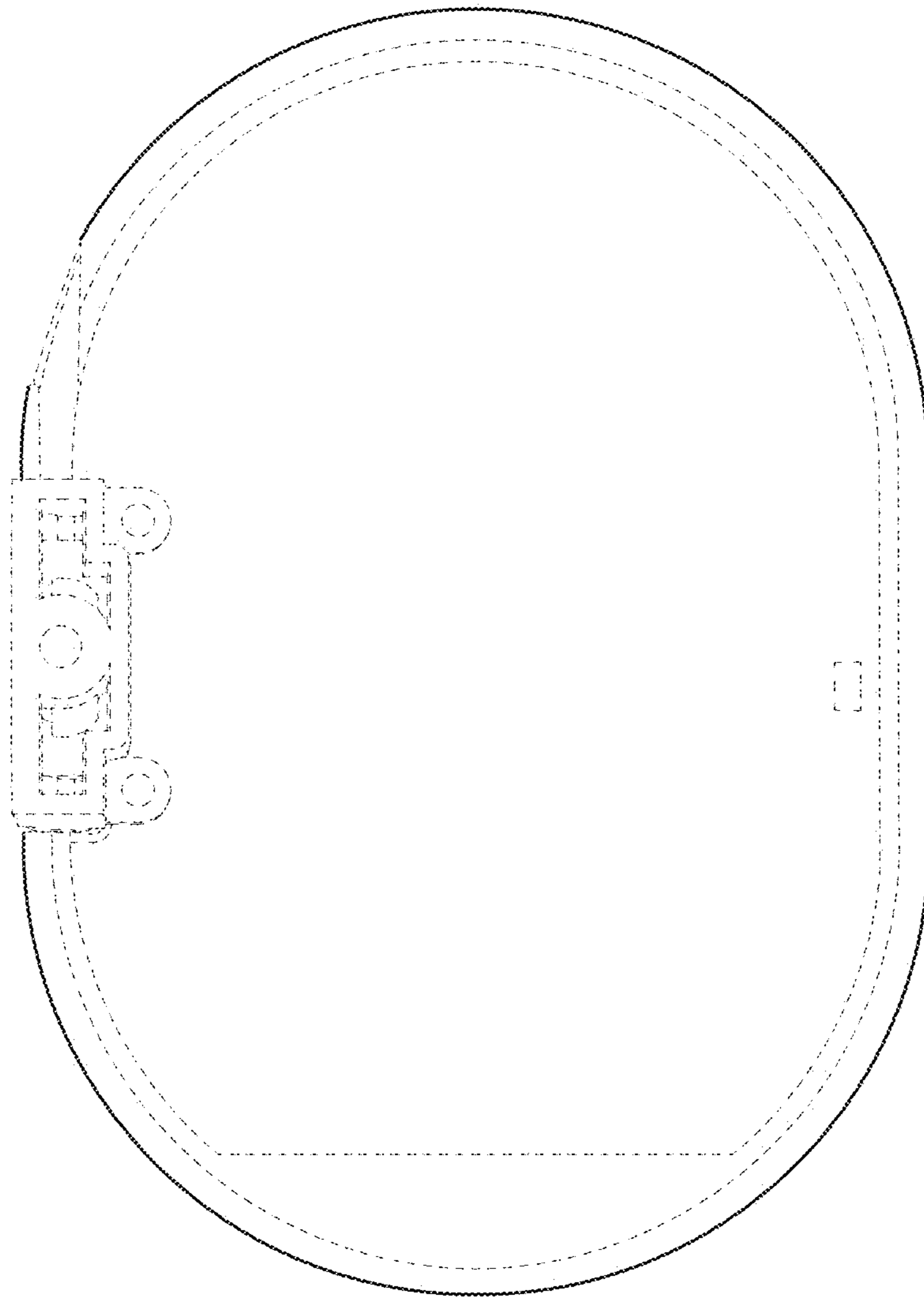


FIG. 8

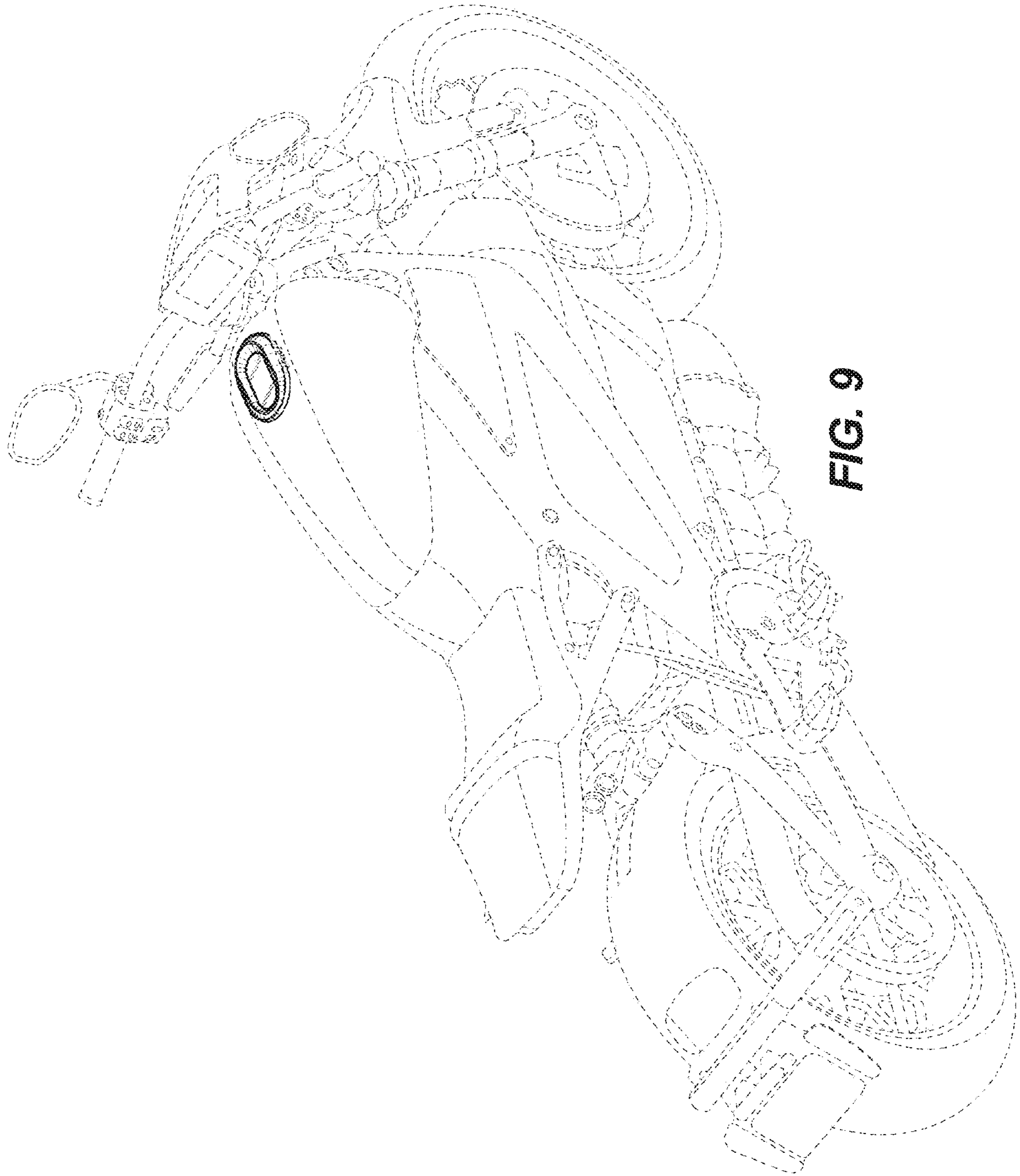


FIG. 9