



US00D881104S

(12) **United States Design Patent** (10) **Patent No.:** **US D881,104 S**
Manzoni (45) **Date of Patent:** **** Apr. 14, 2020**

(54) **VEHICLE WHEEL RIM**
(71) Applicant: **FERRARI S.p.A.**, Modena (IT)
(72) Inventor: **Flavio Manzoni**, Maranello (IT)
(73) Assignee: **Ferrari S.p.A.**, Modena (IT)
(**) Term: **15 Years**

(21) Appl. No.: **35/508,049**
(22) Filed: **Jun. 13, 2019**

(80) **Hague Agreement Data**
Int. Filing Date: **Jun. 13, 2019**
Int. Reg. No.: **DM/203810**
Int. Reg. Date: **Jun. 13, 2019**
Int. Reg. Pub. Date: **Dec. 13, 2019**

(30) **Foreign Application Priority Data**
Dec. 13, 2018 (EM) 005888427
(51) **LOC (12) Cl.** **12-16**
(52) **U.S. Cl.**
USPC **D12/209**
(58) **Field of Classification Search**
USPC D12/204-213
CPC B60B 1/00; B60B 1/08; B60B 1/10; B60B
1/12; B60B 3/04; B60B 3/06; B60B 3/10;
B60B 3/02; B60B 7/00; B60B 7/01;
B60B 7/02; B60B 7/04; B60B 7/06
See application file for complete search history.

(56) **References Cited**
U.S. PATENT DOCUMENTS
D311,896 S * 11/1990 Mori D12/209
D336,886 S 6/1993 Mikawa
D342,714 S 12/1993 Nikawa
D359,938 S 7/1995 Chien
D360,610 S 7/1995 Bemoni

D361,547 S 8/1995 Weld
D361,976 S 9/1995 Echazabal
D375,076 S 10/1996 Cattaneo
D384,630 S * 10/1997 Bhambra D12/209
D385,837 S 11/1997 Muller
D389,446 S 1/1998 Bradley
D392,611 S 3/1998 Echazabal
D395,863 S 7/1998 Sacco
D398,573 S 9/1998 Cattaneo
D398,894 S 9/1998 Kelley
D402,951 S 12/1998 Wechner
D402,952 S 12/1998 Sycha
D407,056 S 3/1999 Hodges
D409,551 S 5/1999 Otto
D409,552 S 5/1999 Chung
D410,618 S 6/1999 Hussaini
D419,945 S 2/2000 Hartanto
D422,258 S 4/2000 Hale, Jr.
D422,959 S 4/2000 Hussaini
D427,130 S 6/2000 Johnson

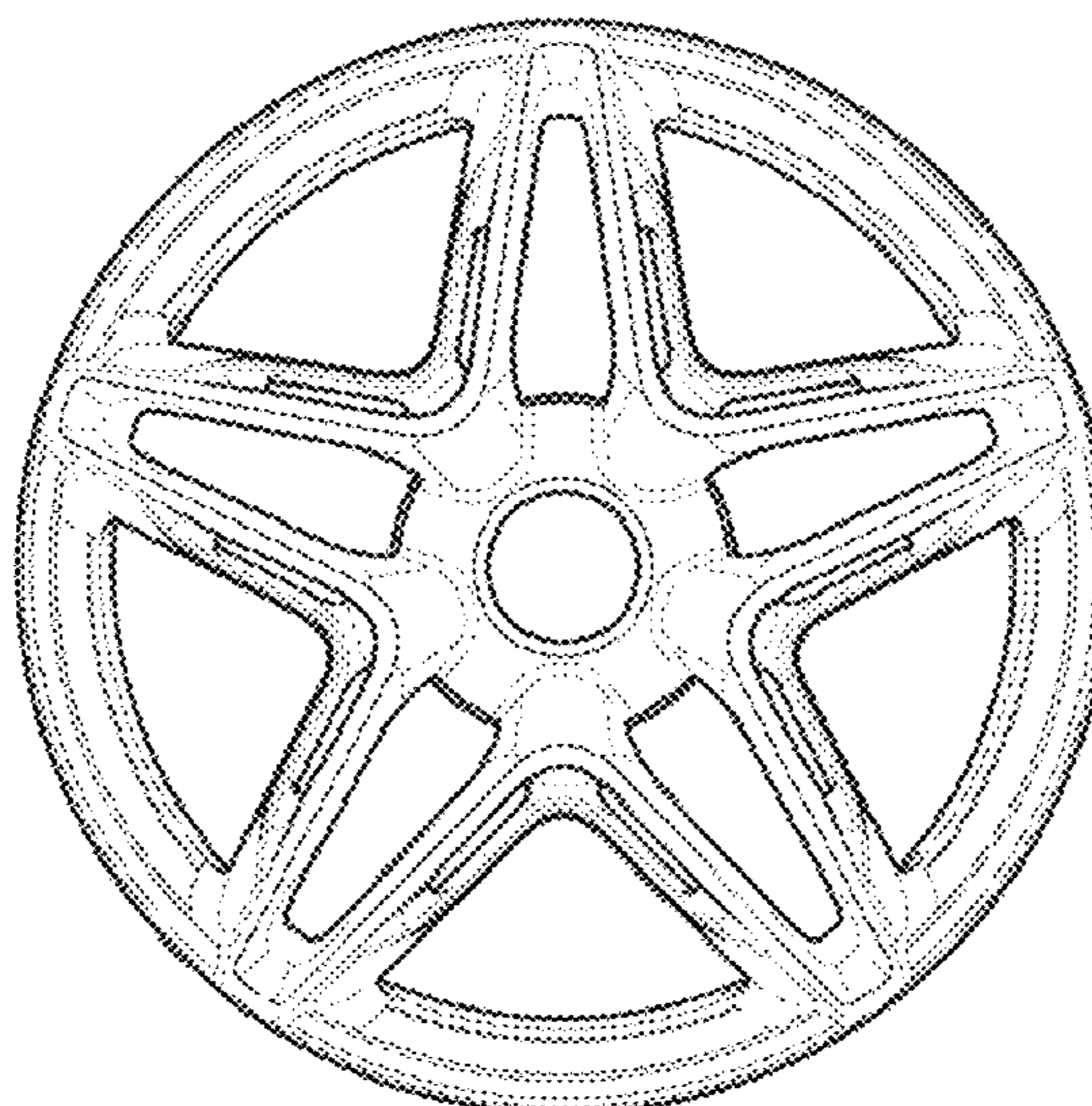
(Continued)

Primary Examiner — Darlington Ly
(74) *Attorney, Agent, or Firm* — Cowan, Liebowitz & Latman P.C.

(57) **CLAIM**
The ornamental design for a vehicle wheel rim, as shown and described.

DESCRIPTION
1. Vehicle wheel rim
1.1 is a front perspective view of a vehicle wheel rim showing my new design;
1.2 is a front elevation view thereof;
1.3 is a rear elevation view thereof;
1.4 is a right side elevation view thereof;
1.5 is a left side elevation view thereof;
1.6 is a top plan view thereof; and
1.7 is a bottom plan view thereof.
The broken lines shown are for the purpose of illustrating portions of the vehicle wheel rim and form no part of the claimed designs.

1 Claim, 7 Drawing Sheets



(56)

References Cited

U.S. PATENT DOCUMENTS

D428,845 S	8/2000	Yoshida et al.	D515,003 S	2/2006	Echazabal
D428,846 S	8/2000	Yoshida	D515,493 S	2/2006	Schaefers
D429,681 S	8/2000	Cullen	D519,435 S	4/2006	Nodera
D430,095 S	8/2000	Lotson	D519,436 S	4/2006	Chen
D430,843 S	9/2000	Sands	D520,433 S	5/2006	Hosoi
D430,844 S	9/2000	Noriega	D524,216 S	7/2006	Scheu
D433,376 S	11/2000	Noriega	D526,948 S	8/2006	Truebsbach
D433,659 S	11/2000	Frizzi	D527,331 S	8/2006	Aoki
D437,821 S	2/2001	Frohlich	D527,334 S	8/2006	Hettler
D438,163 S	2/2001	Langerer	D528,960 S	9/2006	Kim
D438,505 S	3/2001	McMath	D530,259 S	10/2006	Sands
D444,758 S	7/2001	Mendez	D531,567 S	11/2006	Walbey, Jr.
D444,759 S	7/2001	Hartl	D532,737 S	11/2006	Clottu
D445,082 S	7/2001	Chung	D532,740 S	11/2006	Ettensberger
D445,083 S	7/2001	Chung	D533,825 S	12/2006	Baumgartner
D447,993 S	9/2001	Neeper	D534,114 S	12/2006	Holstein
D448,715 S	10/2001	Hartl	D534,474 S	1/2007	Kim
D451,067 S	11/2001	Frizzi	D535,241 S	1/2007	Kim
D451,457 S	12/2001	Hale, Jr.	D536,654 S	2/2007	Moruzzi
D451,876 S	12/2001	Kohl	D539,205 S	3/2007	Hosoi
D454,824 S	3/2002	McMath	D541,726 S	5/2007	Musser
D456,333 S	4/2002	Pollmann	D542,208 S	5/2007	Gallert
D457,117 S	5/2002	McMath	D542,211 S	5/2007	Hieke
D459,688 S	7/2002	Wiesinger	D542,727 S	5/2007	Manfredini
D460,036 S	7/2002	Yajima	D544,822 S	6/2007	Walbey, Jr.
D460,732 S	7/2002	Kuribayashi	D544,823 S	6/2007	Hieke
D460,941 S	7/2002	Muzzarelli	D546,265 S	7/2007	Young
D461,757 S	8/2002	Taneoka	D546,266 S	7/2007	Young
D464,010 S	10/2002	Chung	D548,164 S	8/2007	Young
D465,185 S	11/2002	Chung	D549,150 S	8/2007	Young
D465,758 S	11/2002	Plessing	D549,634 S	8/2007	Foose
D466,467 S	12/2002	Hodges	D551,609 S	9/2007	Hettler
D466,854 S	12/2002	Kern	D552,525 S	10/2007	Celik
D471,504 S	3/2003	Laengerer	D566,642 S	4/2008	Scheu
D472,865 S	4/2003	Wechner	D568,800 S	5/2008	Huet
D474,141 S	5/2003	Foose	D570,760 S	6/2008	Hieke
D475,674 S	6/2003	Baumgartner	D578,946 S	10/2008	Tirado
D476,283 S	6/2003	Baumgartner	D579,846 S	11/2008	Chung
D476,285 S	7/2003	Yoshida et al.	D581,852 S	* 12/2008	Scheu D12/211
D477,557 S	7/2003	Iacovelli	D590,321 S	4/2009	Rak
D477,801 S	7/2003	Brown	D595,203 S	6/2009	Rak
D479,178 S	9/2003	Lai	D602,834 S	10/2009	Dilber
D481,345 S	10/2003	O'Connell	D604,222 S	11/2009	Krisch
D481,982 S	11/2003	Takechi	D604,223 S	11/2009	Dilber
D482,308 S	11/2003	Lee	D610,065 S	2/2010	Gallert
D484,084 S	12/2003	Tai	D617,716 S	6/2010	Lamm
D486,114 S	2/2004	Lai	D618,150 S	6/2010	Hilbert
D486,437 S	2/2004	Hieke	D618,607 S	6/2010	Hilpert
D487,418 S	3/2004	Hieke	D619,070 S	6/2010	Pollman
D489,033 S	4/2004	Lee	D619,073 S	7/2010	Groom
D490,040 S	5/2004	Foose	D619,952 S	7/2010	Juergens
D490,761 S	6/2004	Kataoka	D620,423 S	7/2010	Gallert
D491,872 S	6/2004	Lai	D620,424 S	7/2010	Gallert
D492,235 S	6/2004	Nordmann	D620,869 S	8/2010	Groom
D492,237 S	6/2004	Bemoni	D620,873 S	8/2010	Groom
D492,238 S	6/2004	Bemoni	D621,317 S	8/2010	Antoniadis
D492,927 S	7/2004	Fitzgerald	D621,318 S	8/2010	Elmitt
D493,761 S	8/2004	Kang	D621,321 S	8/2010	Groom
D494,917 S	8/2004	Pollmann	D621,770 S	8/2010	Pollmann
D495,289 S	8/2004	Kataoka	D621,772 S	8/2010	Tirado
D495,291 S	8/2004	Chung	D622,198 S	8/2010	Jamieson
D497,869 S	11/2004	Guevara	D622,200 S	8/2010	Zhao
D499,371 S	12/2004	Koch	D622,203 S	8/2010	Tirado
D500,004 S	12/2004	Szavitz	D625,237 S	10/2010	Holstein
D500,727 S	1/2005	Thompson	D627,702 S	11/2010	Chung
D502,135 S	2/2005	Weld	D628,137 S	11/2010	Groom
D503,370 S	3/2005	Nordmann	D629,733 S	12/2010	Tirado
D503,669 S	4/2005	Bhambra	D630,147 S	1/2011	Sands
D503,918 S	4/2005	Fahr-Becker	D630,564 S	1/2011	Baum
D505,651 S	5/2005	Arellano	D630,567 S	1/2011	Ettensberger
D506,719 S	6/2005	Chen	D631,815 S	2/2011	Foose
D510,554 S	10/2005	Markefka	D633,026 S	2/2011	Matei
D510,719 S	10/2005	Noble	D633,847 S	3/2011	Johnson
D513,222 S	12/2005	Pohanka	D634,252 S	3/2011	Johnson
D513,727 S	1/2006	Gallert	D635,499 S	4/2011	Nissl
			D635,906 S	4/2011	Futschik
			D638,768 S	5/2011	Nissl
			D638,771 S	5/2011	Chung
			D638,772 S	5/2011	Hans

(56)

References Cited

U.S. PATENT DOCUMENTS

D639,716 S	6/2011	Juergens	
D641,679 S	7/2011	Vardis	
D643,795 S	8/2011	Nissl	
D644,588 S	9/2011	Schweizer	
D644,589 S	9/2011	Fisker	
D649,104 S	11/2011	Gallert	
D649,105 S	11/2011	Hilpert	
D649,106 S	11/2011	Hrabcak	
D649,922 S	12/2011	Hans	
D649,923 S	12/2011	Hans	
D650,315 S	12/2011	Juergens	
D652,363 S	1/2012	Chung	
D652,777 S	1/2012	Spogis	
D656,078 S	3/2012	Hans	
D656,448 S	3/2012	Zhao	
D656,879 S	4/2012	Gallert	
D658,104 S	4/2012	Dilber	
D658,107 S	4/2012	Pollmann	
D658,108 S	4/2012	Fetherston	
D659,070 S	5/2012	Johnson	
D659,071 S	5/2012	Hale	
D659,628 S	5/2012	Pollmann	
D663,248 S *	7/2012	Kogawa	D12/209
D663,249 S	7/2012	Zhang	
D664,910 S	8/2012	Gallert	
D665,714 S	8/2012	Foose	
D666,547 S	9/2012	Hilpert	
D666,956 S	9/2012	Hermann	
D666,958 S	9/2012	Suzuki	
D666,960 S	9/2012	Chung	
D669,008 S	10/2012	von Holzhausen	
D670,633 S	11/2012	Kato et al.	
D670,634 S	11/2012	Lee	
D670,635 S	11/2012	Pollmann	
D670,636 S	11/2012	Juergens	
D671,482 S	11/2012	Nakamura	
D672,702 S	12/2012	Pollmann	
D673,099 S	12/2012	Ender	
D673,101 S	12/2012	Behmer	
D673,102 S	12/2012	Behmer	
D673,104 S	12/2012	Lemke	
D675,554 S	2/2013	Nissl	
D676,795 S	2/2013	Wachter	
D678,164 S	3/2013	Badstuebner	
D680,488 S	4/2013	Campbell	
D682,179 S	5/2013	Badstuebner	
D682,764 S	5/2013	Amezketa	
D682,765 S	5/2013	Alfonso	
D682,766 S	5/2013	Zhao	
D682,768 S	5/2013	Hale	
D683,297 S	5/2013	Juergens	
D683,685 S	6/2013	Pollmann	
D684,517 S	6/2013	Scheinhutte	
D684,519 S	6/2013	Garbas	
D686,134 S	7/2013	Amezketa	
D686,964 S	7/2013	Baum	
D686,966 S	7/2013	Pollmann	
D688,188 S	8/2013	Baum	
D688,616 S	8/2013	Fetherston	
D689,421 S	9/2013	Wachter	
D689,808 S *	9/2013	Buck	D12/209
D690,643 S	10/2013	Kern	
D691,081 S	10/2013	Watkin	
D691,544 S	10/2013	Ferrett	
D691,938 S	10/2013	Churchill	
D693,755 S	11/2013	Valencia Pollex	
D695,198 S	12/2013	Juergens	
D696,178 S	12/2013	Amezketa	
D697,859 S	1/2014	Borkert	
D697,860 S	1/2014	Borkert	
D697,861 S	1/2014	Lemke	
D698,296 S	1/2014	Rider	
D698,301 S	1/2014	Lemke	
D702,614 S	4/2014	Lemke	
D703,602 S	4/2014	Kern	
D703,603 S	4/2014	Tirado	
D704,120 S	5/2014	Feuerherdt	
D706,199 S	6/2014	Chung	
D706,701 S	6/2014	Mays	
D708,110 S	7/2014	Borkert	
D708,112 S	7/2014	Mays	
D710,286 S *	8/2014	Yamaguchi	D12/209
D714,704 S	10/2014	Kim	
D714,705 S	10/2014	Kong	
D714,706 S	10/2014	Chung	
D715,720 S	10/2014	Ender	
D719,076 S	12/2014	McLeod	
D720,679 S	1/2015	Garbas	
D721,631 S	1/2015	Ferrett	
D723,989 S *	3/2015	Morikawa	D12/209
D725,570 S	3/2015	Mays	
D726,091 S	4/2015	Mays	
D726,623 S	4/2015	Alfonso	
D726,628 S	4/2015	Kong	
D727,235 S	4/2015	Hans	
D727,826 S	4/2015	Chung	
D729,720 S	5/2015	Chen	
D729,721 S	5/2015	Fahr-Becker	
D730,259 S	5/2015	Aydin	
D730,261 S	5/2015	Johnson	
D730,800 S	6/2015	Behmer	
D731,389 S	6/2015	Gotschke	
D731,944 S	6/2015	Kern	
D732,454 S	6/2015	Szews	
D733,024 S	6/2015	Valencia Pollex	
D733,027 S	6/2015	Chung	
D734,237 S	7/2015	Juergens	
D734,238 S	7/2015	Baum	
D734,705 S	7/2015	Chung	
D738,282 S	9/2015	Gallert	
D740,197 S *	10/2015	Valencia Pollex	D12/209
D740,735 S	10/2015	Matsumura	
D741,241 S	10/2015	Hale	
D741,776 S	10/2015	Zhao	
D743,315 S	11/2015	Perini	
D744,403 S	12/2015	Mielke	
D746,210 S	12/2015	Dilber	
D746,212 S	12/2015	Valencia Pollex	
D746,755 S	1/2016	Mielke et al.	
D746,756 S	1/2016	George	
D747,252 S	1/2016	Buckingham	
D747,254 S	1/2016	Liu	
D748,033 S	1/2016	Carter	
D748,034 S	1/2016	Hall	
D748,556 S *	2/2016	Valencia Pollex	D12/209
D749,029 S	2/2016	Wheel	
D749,485 S	2/2016	Gallert	
D749,487 S	2/2016	Mahoney	
D750,003 S	2/2016	Ahmad	
D750,004 S	2/2016	Chung	
D751,019 S	3/2016	Behmer	
D751,020 S	3/2016	Mahoney	
D751,021 S *	3/2016	Vaya	D12/211
D751,488 S	3/2016	Zhao	
D753,570 S	4/2016	Garbas	
D753,571 S	4/2016	Juergens et al.	
D753,572 S	4/2016	Juergens et al.	
D753,574 S	4/2016	Mielke et al.	
D753,575 S	4/2016	Capristo	
D754,051 S	4/2016	Baum	
D755,103 S	5/2016	Hans	
D755,104 S	5/2016	Chu	
D755,106 S	5/2016	Tanaka	
D755,694 S *	5/2016	Valencia Pollex	D12/209
D756,285 S	5/2016	Zhao	
D756,287 S	5/2016	Koglin	
D756,879 S	5/2016	George	
D756,880 S	5/2016	Zhao	
D757,628 S	5/2016	Rolfs	
D758,277 S	6/2016	Alfonso	
D762,155 S	7/2016	Juergens	
D763,159 S *	8/2016	Valencia Pollex	D12/209
D764,372 S	8/2016	Behmer	
D764,373 S	8/2016	Valencia Pollex	

(56)

References Cited

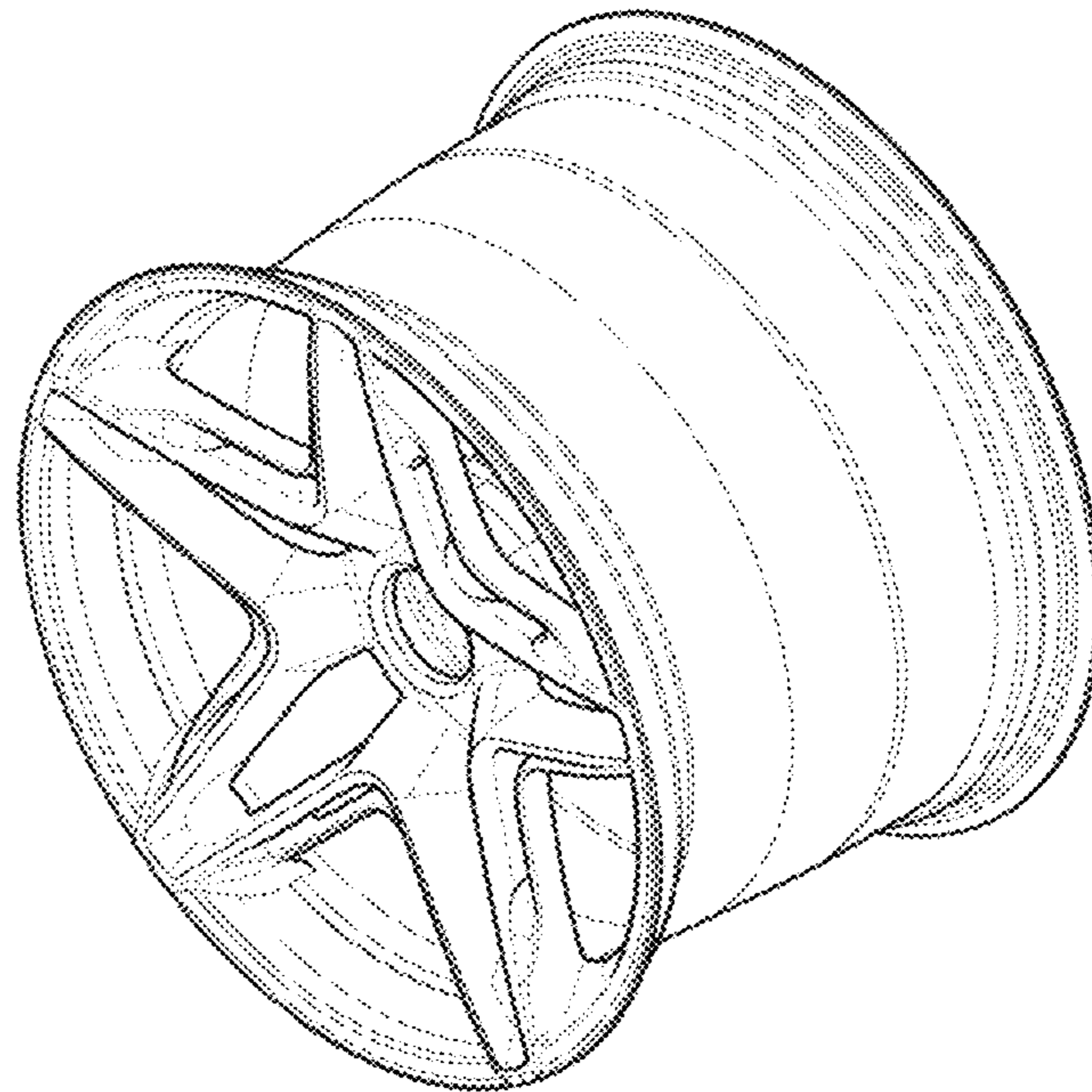
U.S. PATENT DOCUMENTS

D765,003 S 8/2016 Toth
 D769,164 S * 10/2016 Valencia Pollex D12/209
 D769,172 S 10/2016 Ishii
 D770,960 S 11/2016 Svenson
 D772,133 S 11/2016 Stone
 D772,134 S 11/2016 Vidojkovic
 D774,440 S 12/2016 Johnson
 D775,050 S 12/2016 Vidojkovic
 D776,039 S 1/2017 Valencia Pollex
 D777,074 S 1/2017 Valencia Pollex
 D778,222 S 2/2017 Chung
 D780,664 S 3/2017 Gallert
 D781,203 S 3/2017 Chung
 D781,761 S * 3/2017 Lee D12/209
 D781,765 S * 3/2017 Bjerke D12/209
 D783,500 S 4/2017 Hubers
 D786,159 S 5/2017 Boyd
 D786,163 S 5/2017 Wuescher
 D788,003 S * 5/2017 Conforzi D12/209
 D788,679 S 6/2017 Yang
 D788,680 S 6/2017 Mielke
 D789,865 S 6/2017 Giolito
 D790,426 S * 6/2017 Valencia Pollex D12/209
 D791,033 S * 7/2017 Peat D12/209
 D791,048 S 7/2017 Valencia Pollex
 D791,668 S * 7/2017 Murase D12/209
 D791,673 S 7/2017 Alfonso
 D791,674 S 7/2017 Valencia Pollex
 D792,306 S * 7/2017 Ishigaki D12/209
 D792,313 S 7/2017 Langhals
 D792,314 S 7/2017 Gardaysky

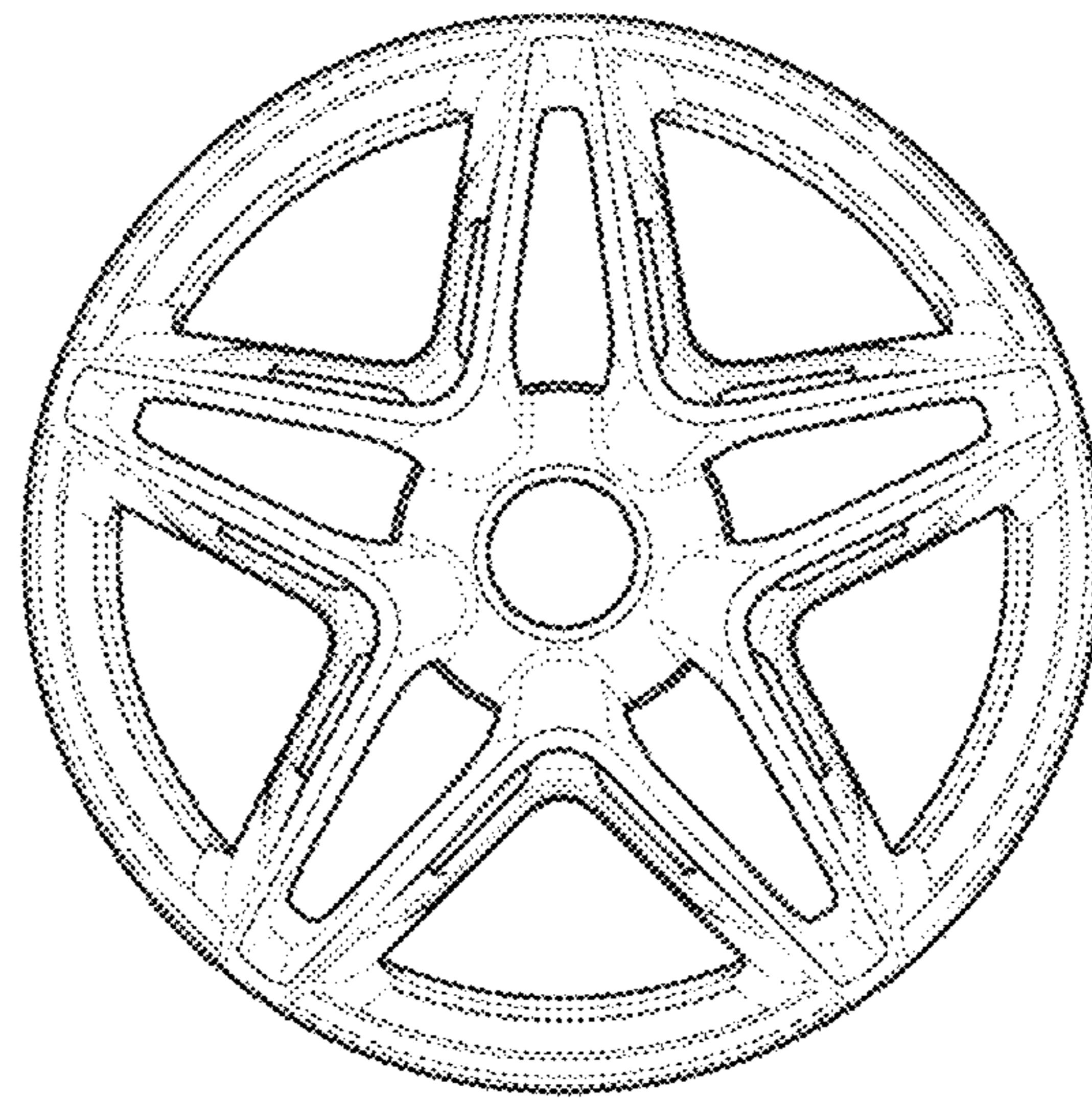
D793,323 S 8/2017 Valencia Pollex
 D795,154 S 8/2017 Hans
 D795,778 S * 8/2017 Valencia Pollex D12/211
 D795,779 S 8/2017 Valencia Pollex
 D805,457 S 12/2017 Setter et al.
 D806,629 S 1/2018 Bridan
 D808,324 S 1/2018 Ninov
 D813,781 S * 3/2018 Valencia Pollex D12/209
 D815,007 S 4/2018 Valencia Pollex
 D818,411 S * 5/2018 Kawaguchi D12/209
 D818,413 S 5/2018 Badstuebner
 D818,926 S * 5/2018 Miyazawa D12/209
 D820,186 S 6/2018 Badstuebner
 D823,224 S * 7/2018 Nakamura D12/211
 D826,826 S * 8/2018 Back D12/209
 D833,949 S 11/2018 Sempek
 D835,560 S 12/2018 Hilton et al.
 D835,561 S * 12/2018 Hayashi D12/209
 D836,526 S 12/2018 Skelley
 D838,224 S * 1/2019 Valencia Pollex D12/209
 D841,554 S * 2/2019 Tamura D12/209
 D847,075 S 4/2019 Preyss
 D847,719 S * 5/2019 Rosello Visa D12/209
 D852,108 S * 6/2019 El-Oulhani D12/209
 D852,705 S * 7/2019 Smith D12/209
 D853,304 S * 7/2019 Pollex D12/209
 D853,308 S 7/2019 Valencia Pollex
 D855,001 S 7/2019 Hodges
 D857,593 S 8/2019 Rosello Visa
 D859,275 S 9/2019 Valencia Pollex
 D864,836 S 10/2019 Preyss
 D865,620 S 11/2019 Han
 D870,010 S 12/2019 Hahn

* cited by examiner

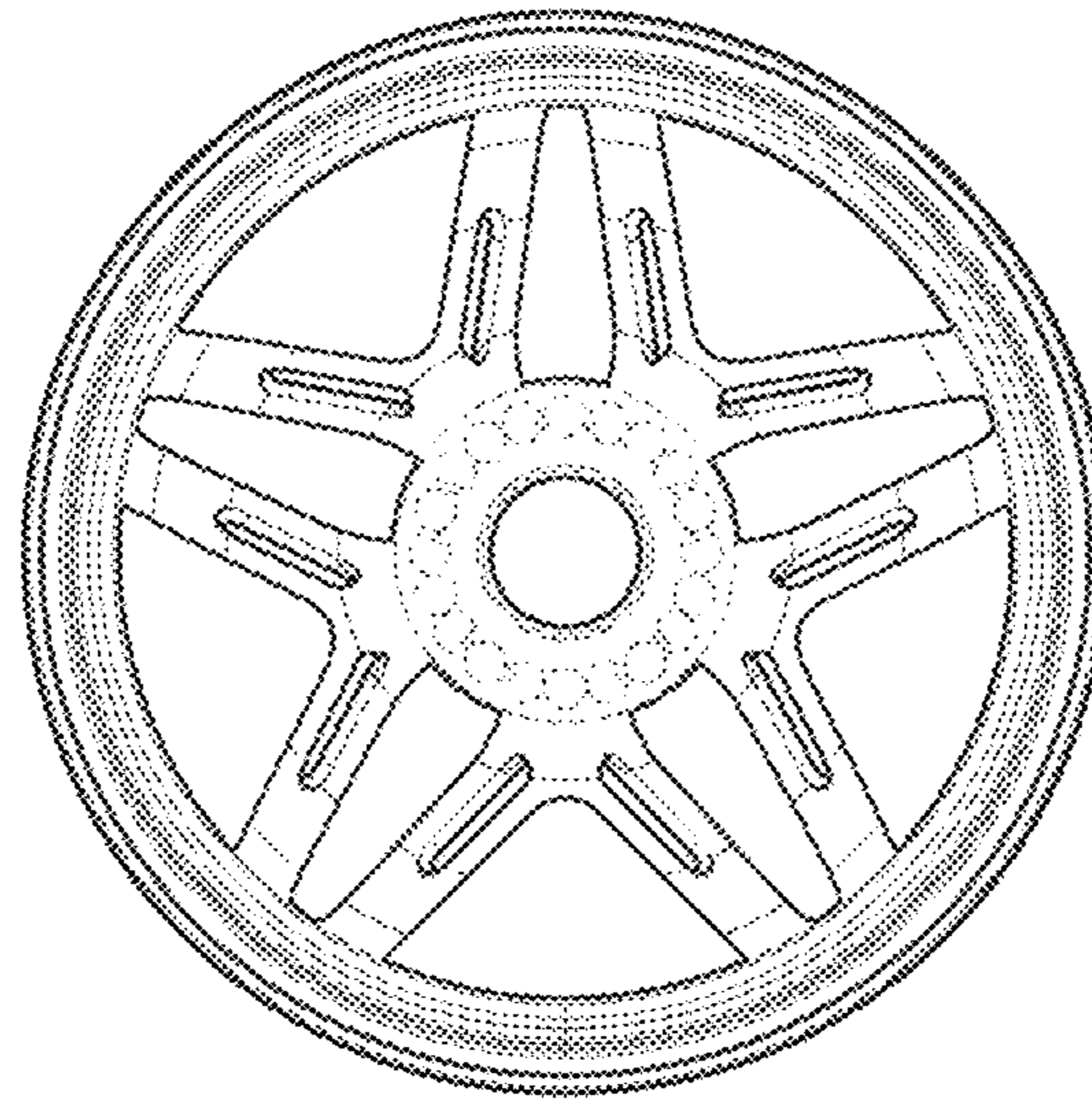
1.1



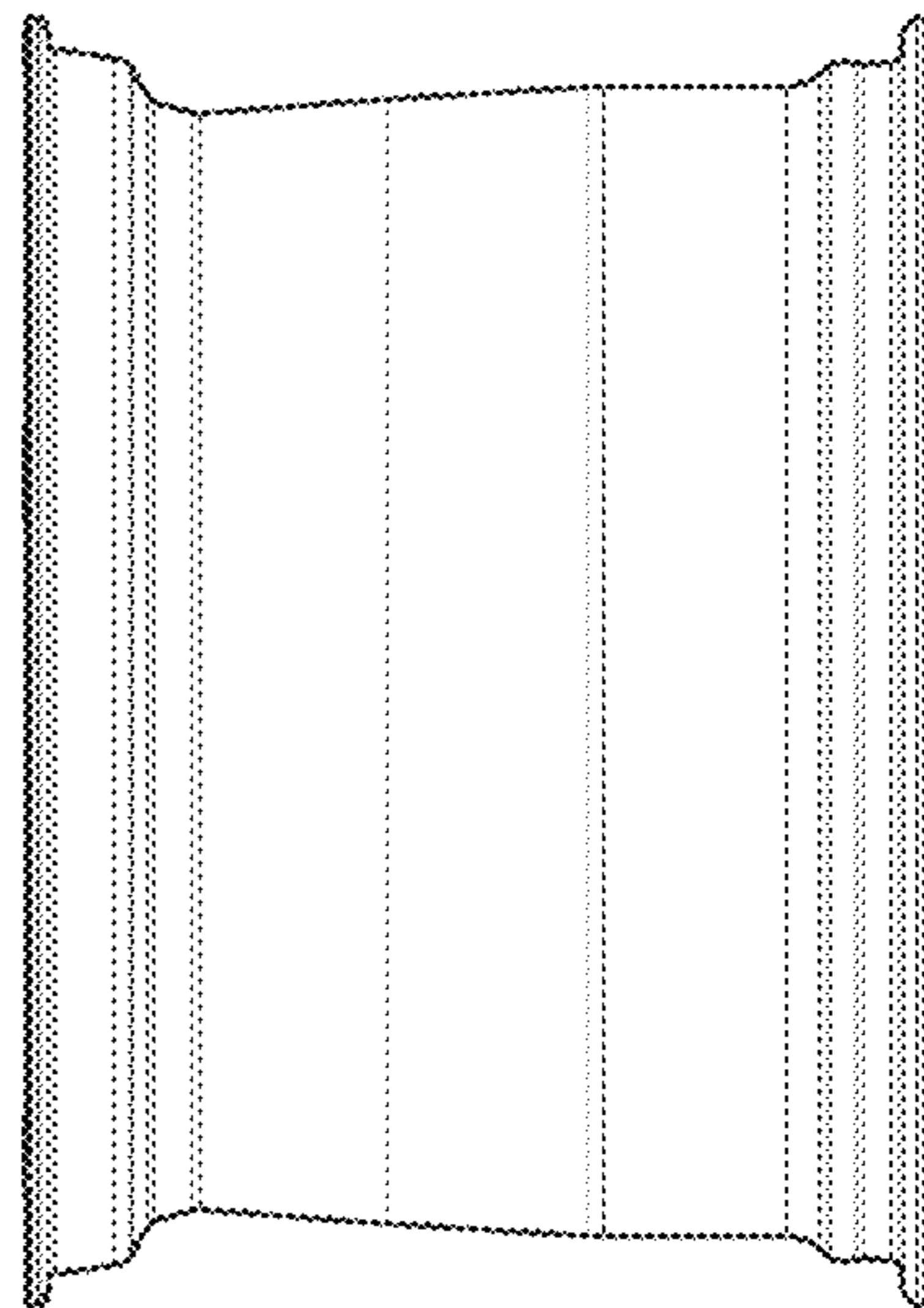
1.2



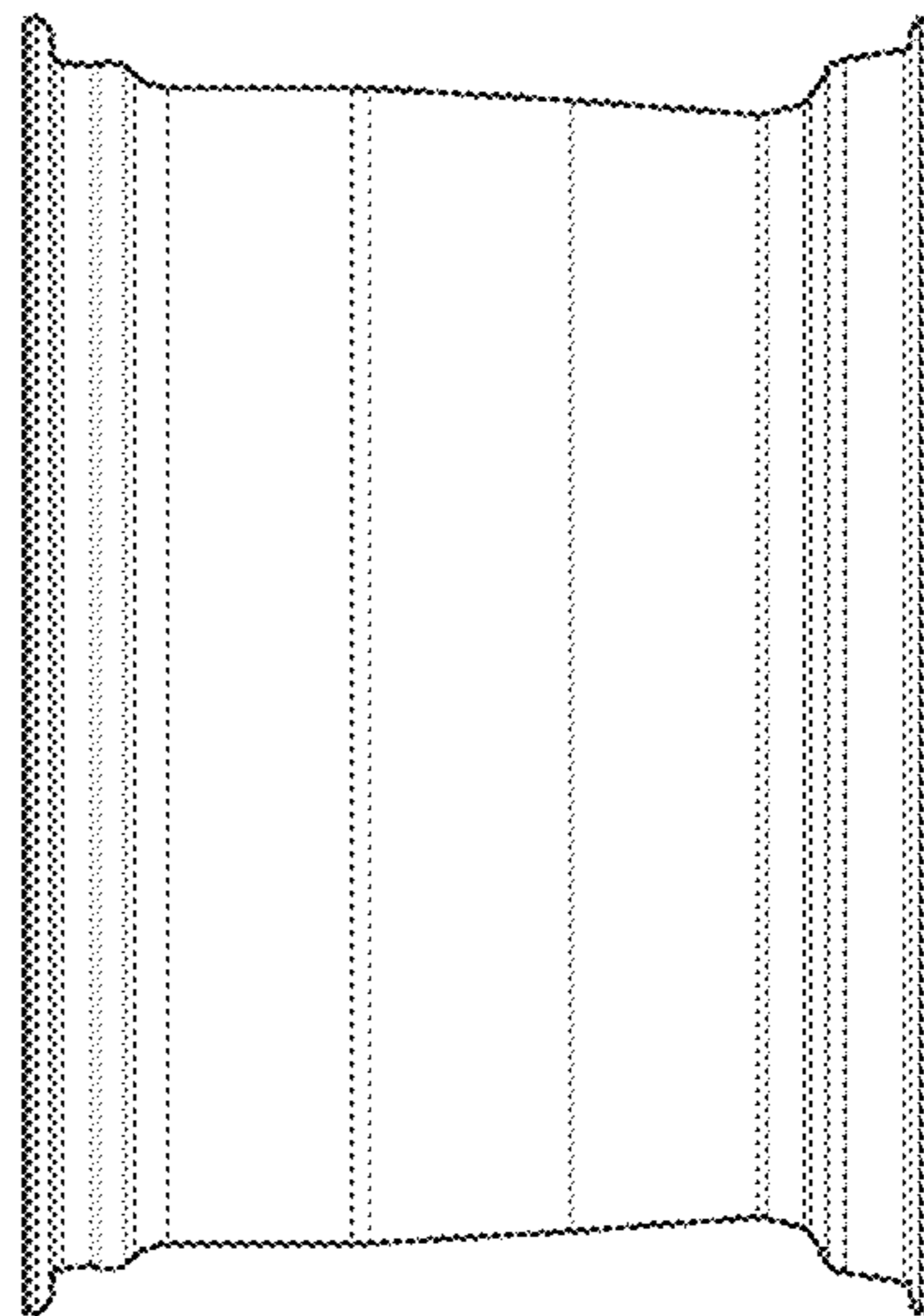
1.3



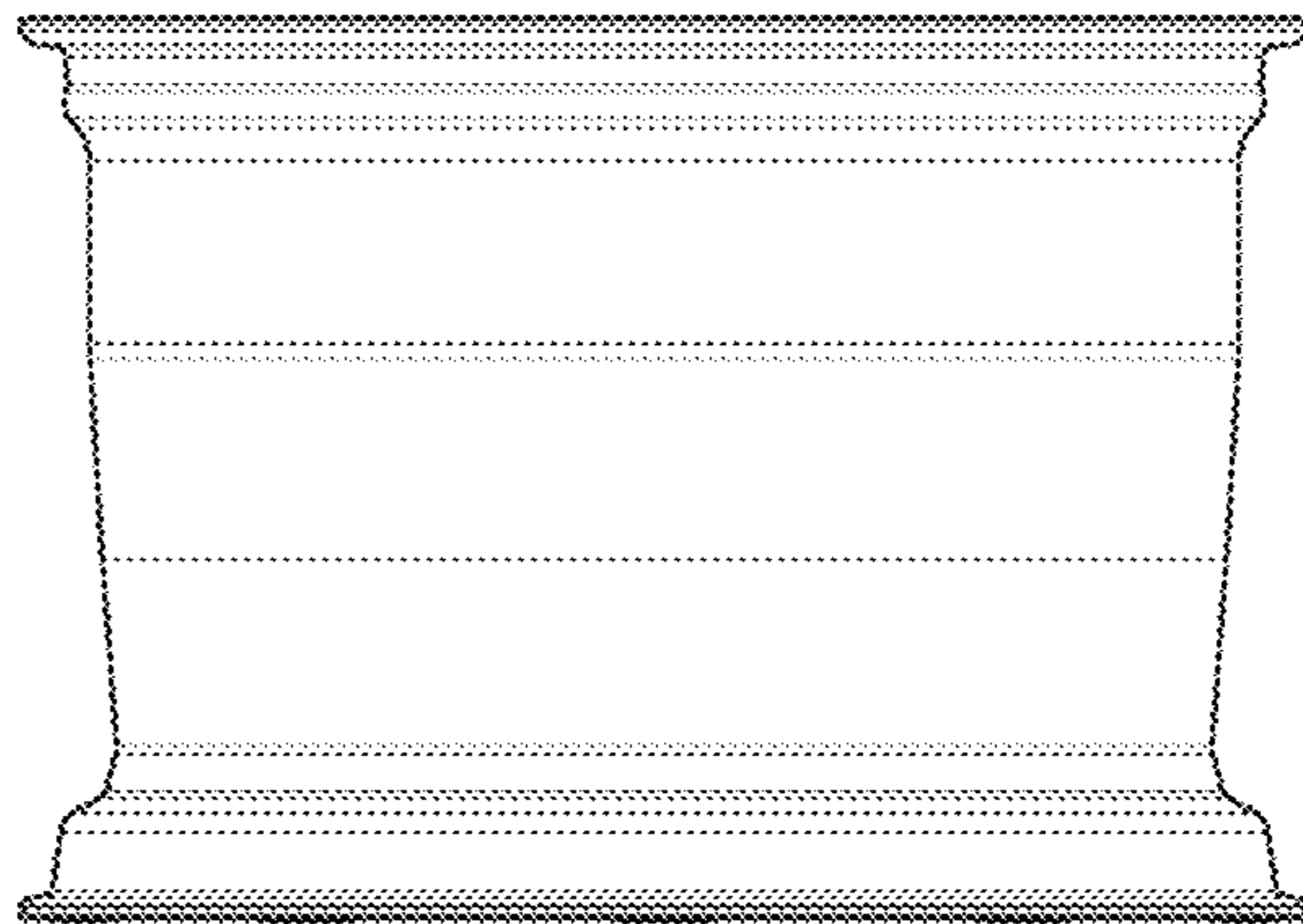
1.4



1.5



1.6



1.7

