



US00D881099S

(12) **United States Design Patent**
Han

(10) **Patent No.:** **US D881,099 S**

(45) **Date of Patent:** **** Apr. 14, 2020**

(54) **AUTOMOTIVE WHEEL**

(71) Applicant: **Donnie Han**, Corona, CA (US)

(72) Inventor: **Donnie Han**, Corona, CA (US)

(**) Term: **15 Years**

(21) Appl. No.: **29/666,592**

(22) Filed: **Oct. 15, 2018**

(51) **LOC (12) Cl.** **12-16**

(52) **U.S. Cl.**
USPC **D12/209**

(58) **Field of Classification Search**
USPC D12/204–213; D21/563
CPC B60B 7/00; B60B 7/02; B60B 7/04; B60B
7/01; B60B 3/02; B60B 3/04; B60B 3/06;
B60B 3/10; B60B 1/00; B60B 1/08;
B60B 1/10; B60B 1/12

See application file for complete search history.

(56) **References Cited**

U.S. PATENT DOCUMENTS

D427,558 S	*	7/2000	Neeper	D12/211
D606,921 S	*	12/2009	Thorsten	D12/211
D624,861 S	*	10/2010	Zhao	D12/209
D675,143 S	*	1/2013	Gebert	D12/209
D715,720 S	*	10/2014	Ender	D12/211
D780,657 S	*	3/2017	Welte	D12/211

D780,658 S	*	3/2017	Welte	D12/211
D786,164 S	*	5/2017	Henderson	D12/211
D805,992 S	*	12/2017	Heizmann	D12/211
D810,646 S	*	2/2018	Heizmann	D12/209
D825,426 S	*	8/2018	Myrberg	D12/209
D826,128 S	*	8/2018	Groth	D12/209
D827,537 S	*	9/2018	Owens	D12/209
D828,799 S	*	9/2018	Zschocke	D12/209
D842,202 S	*	3/2019	Han	D12/209
D844,527 S	*	4/2019	Licklitter	D12/209
D851,005 S	*	6/2019	Hodges	D12/209
D853,298 S	*	7/2019	Li	D12/209
D854,998 S	*	7/2019	Ma	D12/209
D864,078 S	*	10/2019	Khachatryan	D12/211
D865,623 S	*	11/2019	Han	D12/209
D866,432 S	*	11/2019	Preyss	D12/209

* cited by examiner

Primary Examiner — Stacia A Cadmus

(57) **CLAIM**

The ornamental design for an automotive wheel, as shown and described.

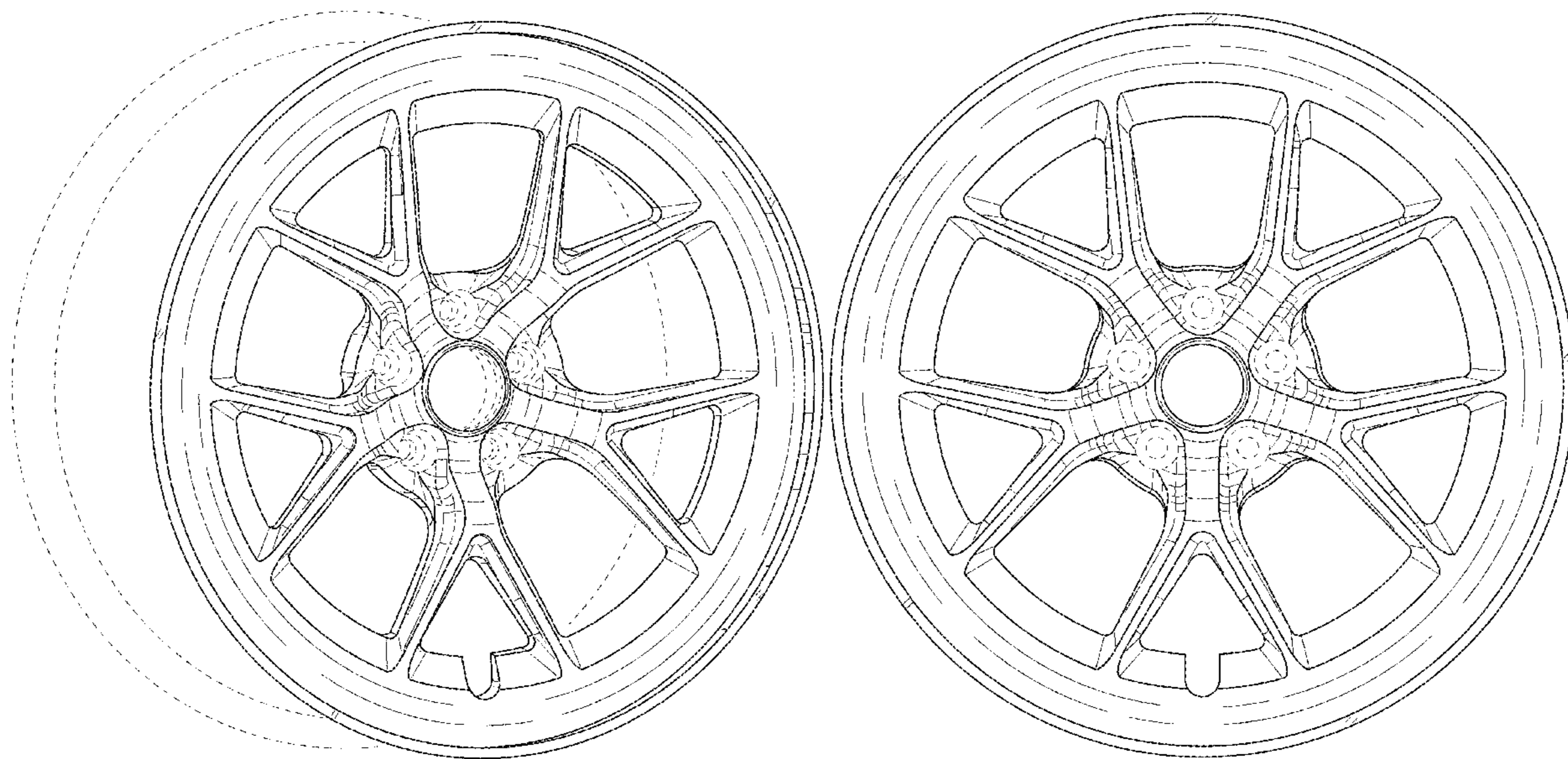
DESCRIPTION

FIG. 1 is a perspective view of an automobile wheel showing my new design; and,

FIG. 2 is a front view thereof.

The broken line showing of the rear portion of the wheel is included for the purpose of illustrating environment and forms no part of the claimed design.

1 Claim, 2 Drawing Sheets



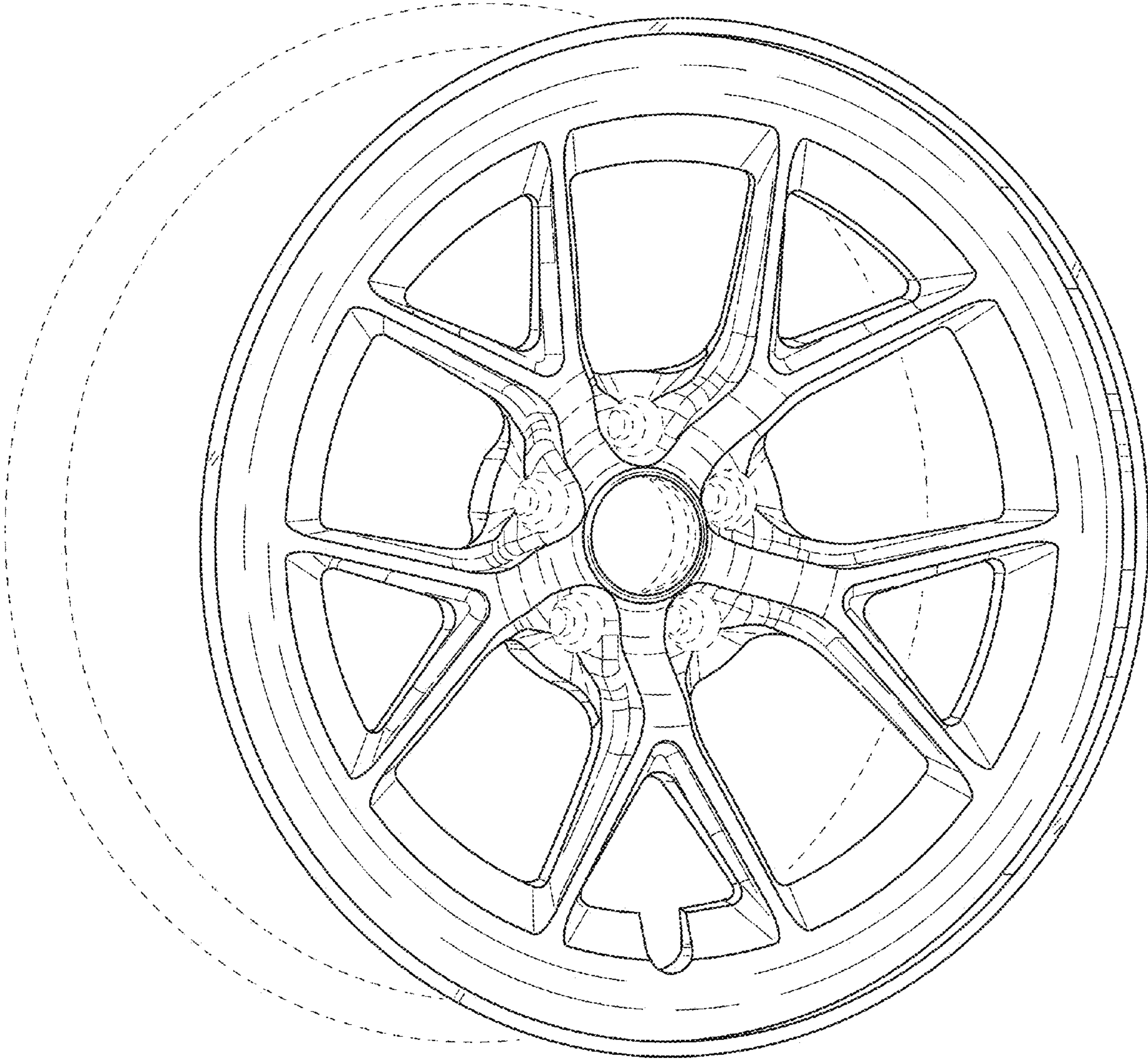


FIGURE 1

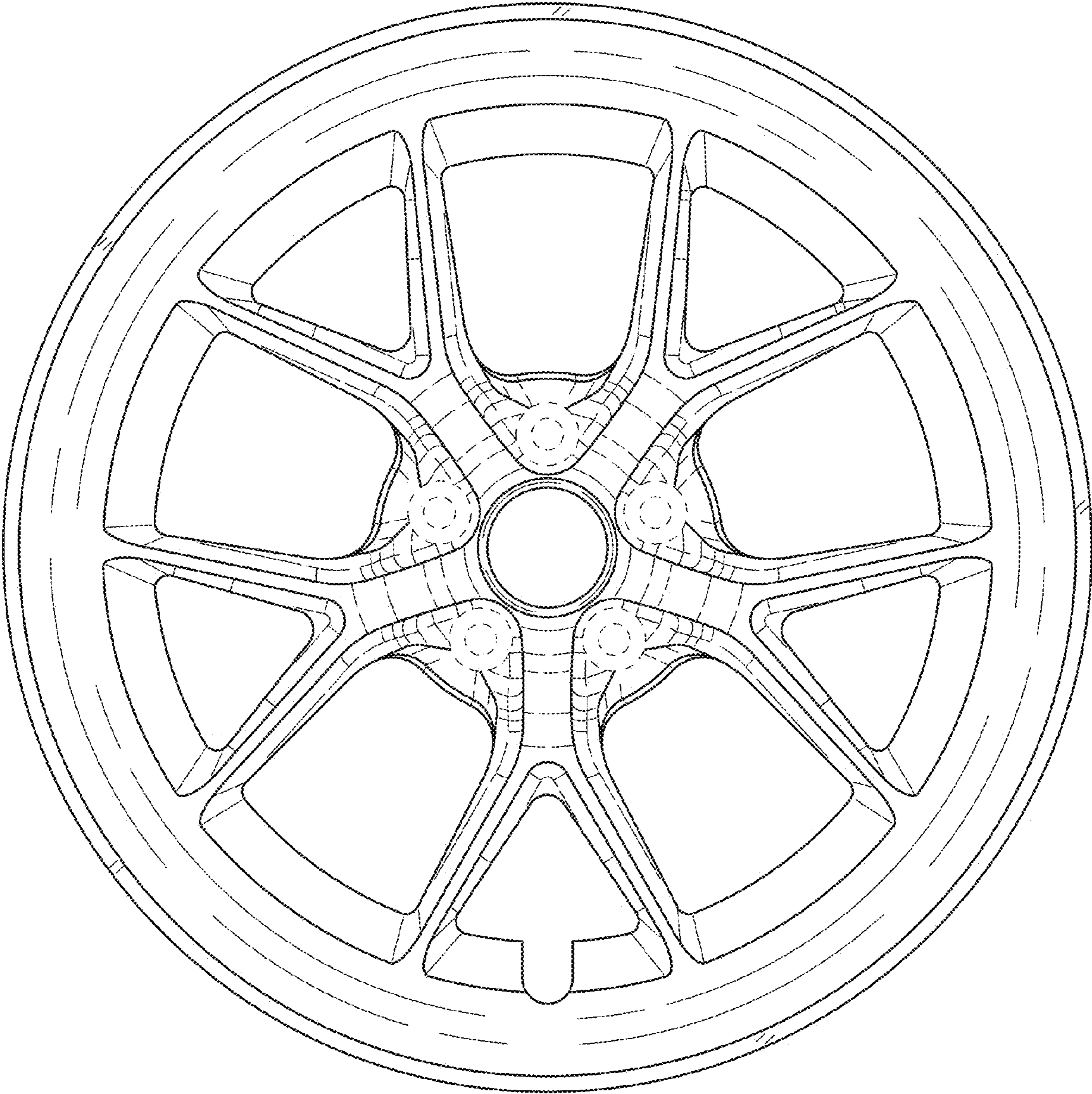


FIGURE 2