



US00D881095S

(12) **United States Design Patent** (10) **Patent No.:** **US D881,095 S**
Finney et al. (45) **Date of Patent:** **** Apr. 14, 2020**

(54) **VEHICLE INSTRUMENT PANEL**
(71) Applicant: **Jaguar Land Rover Limited**, Whitley, Coventry (GB)
(72) Inventors: **Nicolas Finney**, Coventry (GB); **Lee Perry**, Coventry (GB)
(73) Assignee: **Jaguar Land Rover Limited**, Whitley, Coventry (GB)
(**) Term: **15 Years**
(21) Appl. No.: **29/656,246**
(22) Filed: **Jul. 11, 2018**

(30) **Foreign Application Priority Data**
Apr. 25, 2018 (EM) 005248622
Jul. 5, 2018 (EM) 005438009
(51) **LOC (12) Cl.** **12-08**
(52) **U.S. Cl.**
USPC **D12/192**
(58) **Field of Classification Search**
USPC D12/192, 415, 114, 345; D15/17, 28;
D10/46, 98, 102-103, 122-127; D23/324
CPC B60H 1/34; B60H 1/3407; B60H 1/3414;
B60H 1/3421; B60H 1/3428; B60H
1/3435; B60H 1/3442; B60H 1/345;
B60H 1/3457; B60H 2001/3464; B60H
2001/3471; B60H 2001/3478; B60H
2001/3485
See application file for complete search history.

(56) **References Cited**
U.S. PATENT DOCUMENTS
D697,459 S * 1/2014 Yamada D12/192
D791,664 S * 7/2017 Igarashi D12/192
D812,536 S * 3/2018 Matsuda D12/192
D830,927 S * 10/2018 Tanaka D12/192
D835,566 S * 12/2018 Gaudreau D12/415

D836,510 S * 12/2018 Nakai D12/192
D840,305 S * 2/2019 Chang D12/192
D853,918 S * 7/2019 Satou D12/192
D853,919 S * 7/2019 Hazumi D12/192
D858,390 S * 9/2019 Kato D12/192
D860,892 S * 9/2019 Ohmori D12/192

* cited by examiner
Primary Examiner — Katrina A Betton
(74) *Attorney, Agent, or Firm* — Wood Herron & Evans LLP

(57) **CLAIM**
The ornamental design for a vehicle instrument panel, as shown and described.

DESCRIPTION
FIG. 1 is a front left elevated perspective view of a vehicle instrument panel according to the present invention.
FIG. 2 is a front left perspective view of the vehicle instrument panel shown in FIG. 1.
FIG. 3 is a rear right elevated perspective view thereof.
FIG. 4 is a rear right perspective view thereof.
FIG. 5 is a front view thereof.
FIG. 6 is a rear view thereof.
FIG. 7 is a left side view thereof.
FIG. 8 is a right side view thereof.
FIG. 9 is a top view thereof.
FIG. 10 is a front left elevated perspective view of a vehicle instrument panel according to a second embodiment of the present invention.
FIG. 11 is a front left perspective view of the vehicle instrument panel shown in FIG. 10.
FIG. 12 is a rear right elevated perspective view thereof.
FIG. 13 is a rear right perspective view thereof.
FIG. 14 is a front view thereof.
FIG. 15 is a rear view thereof.
FIG. 16 is a left side view thereof.
FIG. 17 is a right side view thereof; and,
FIG. 18 is a top view thereof.

1 Claim, 18 Drawing Sheets





FIG. 1



FIG. 2

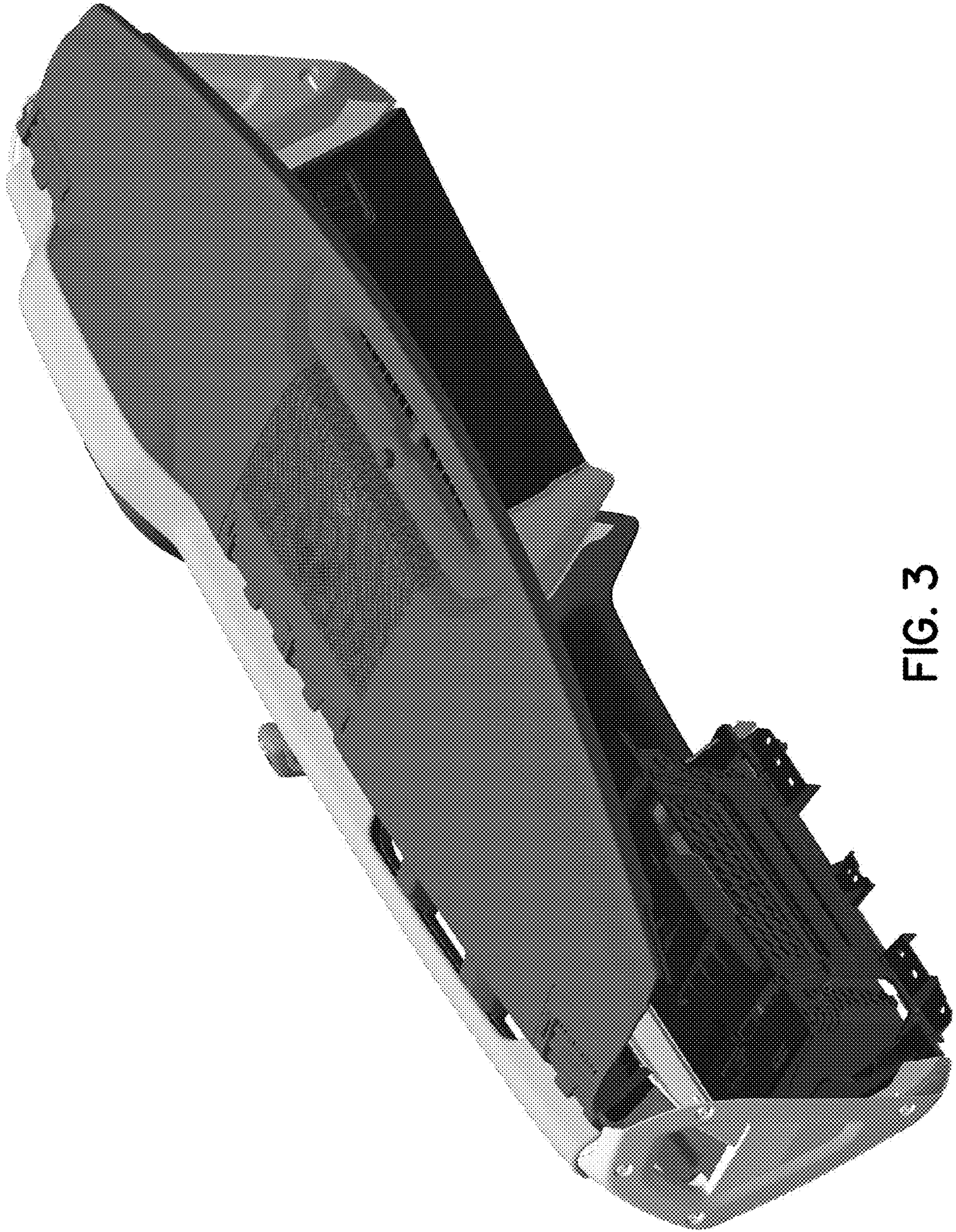


FIG. 3

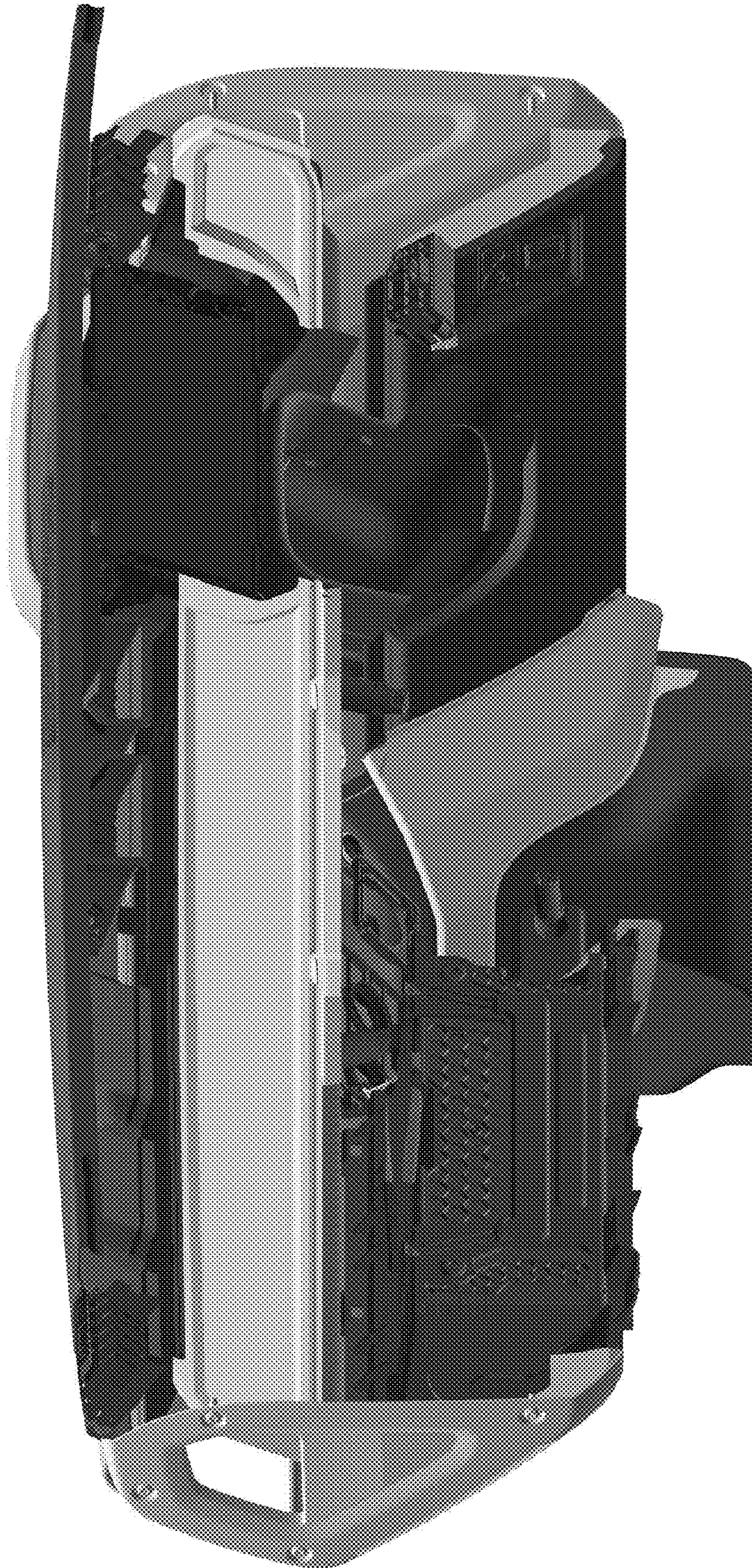


FIG. 4

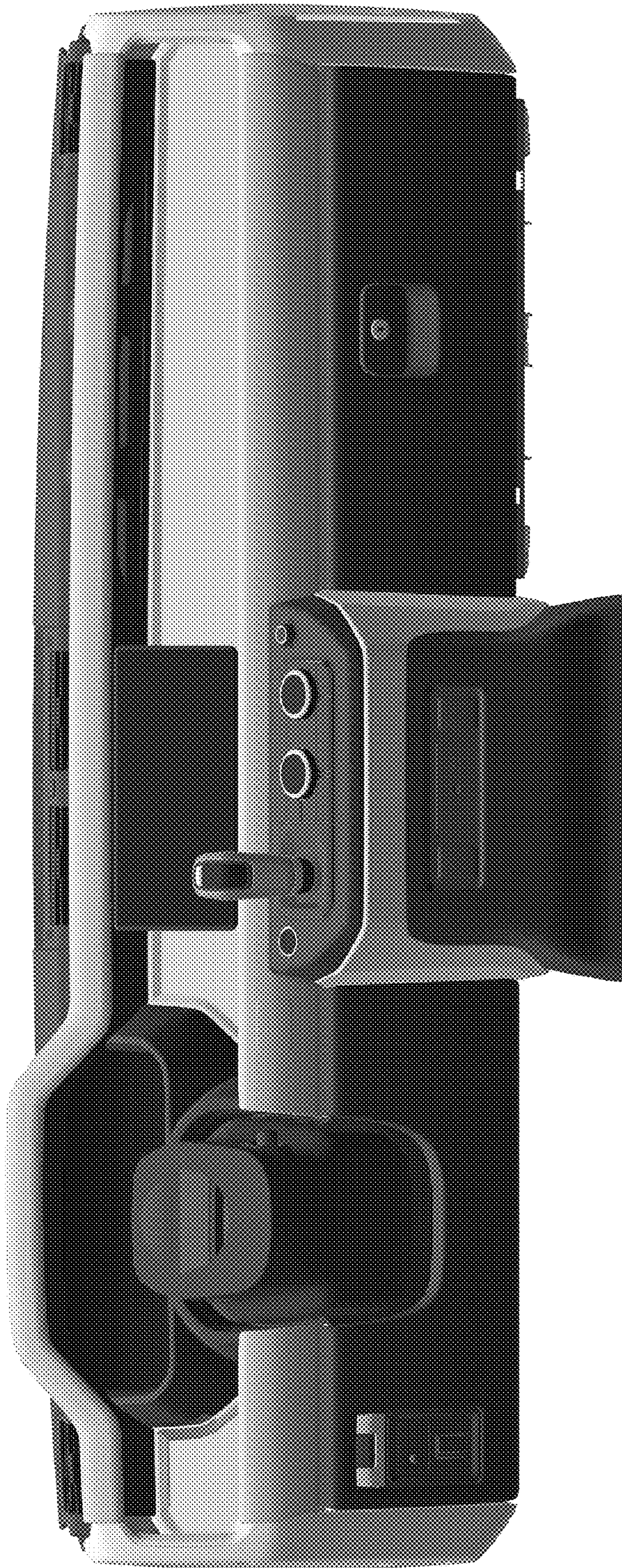


FIG. 5

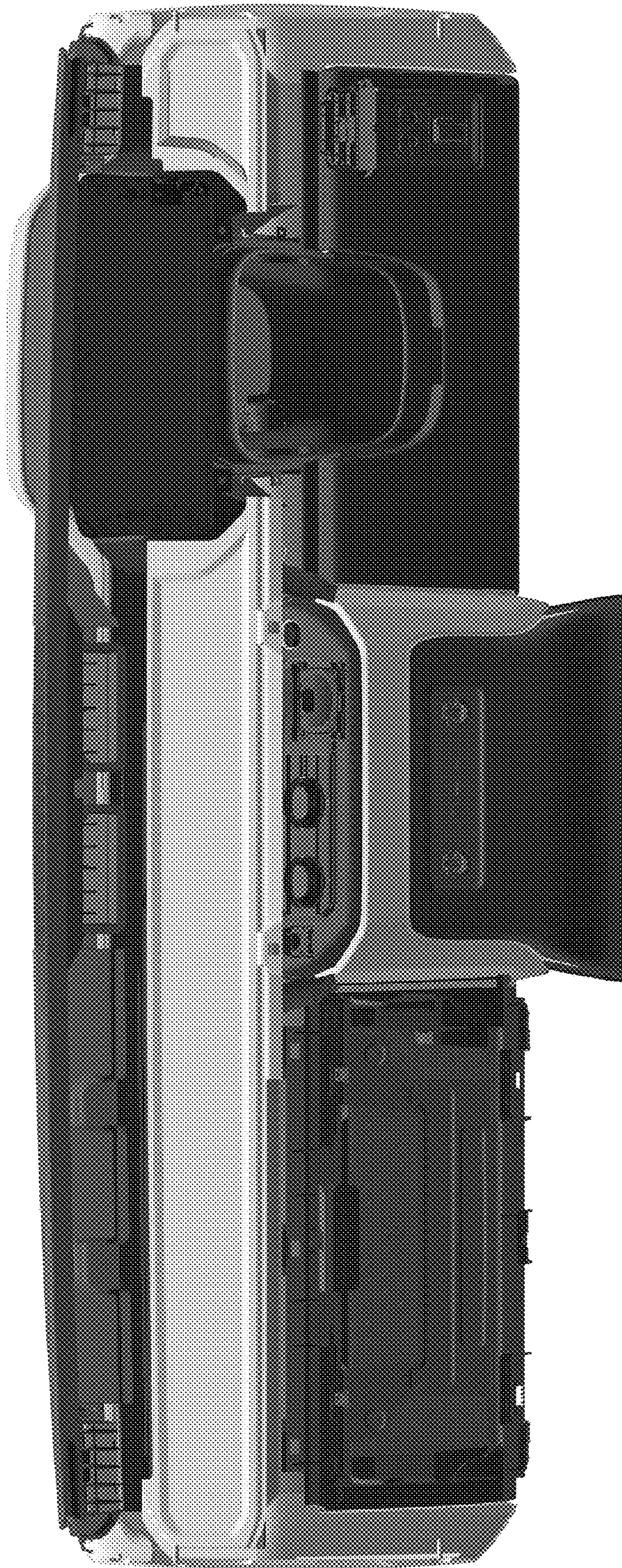


FIG. 6



FIG. 7

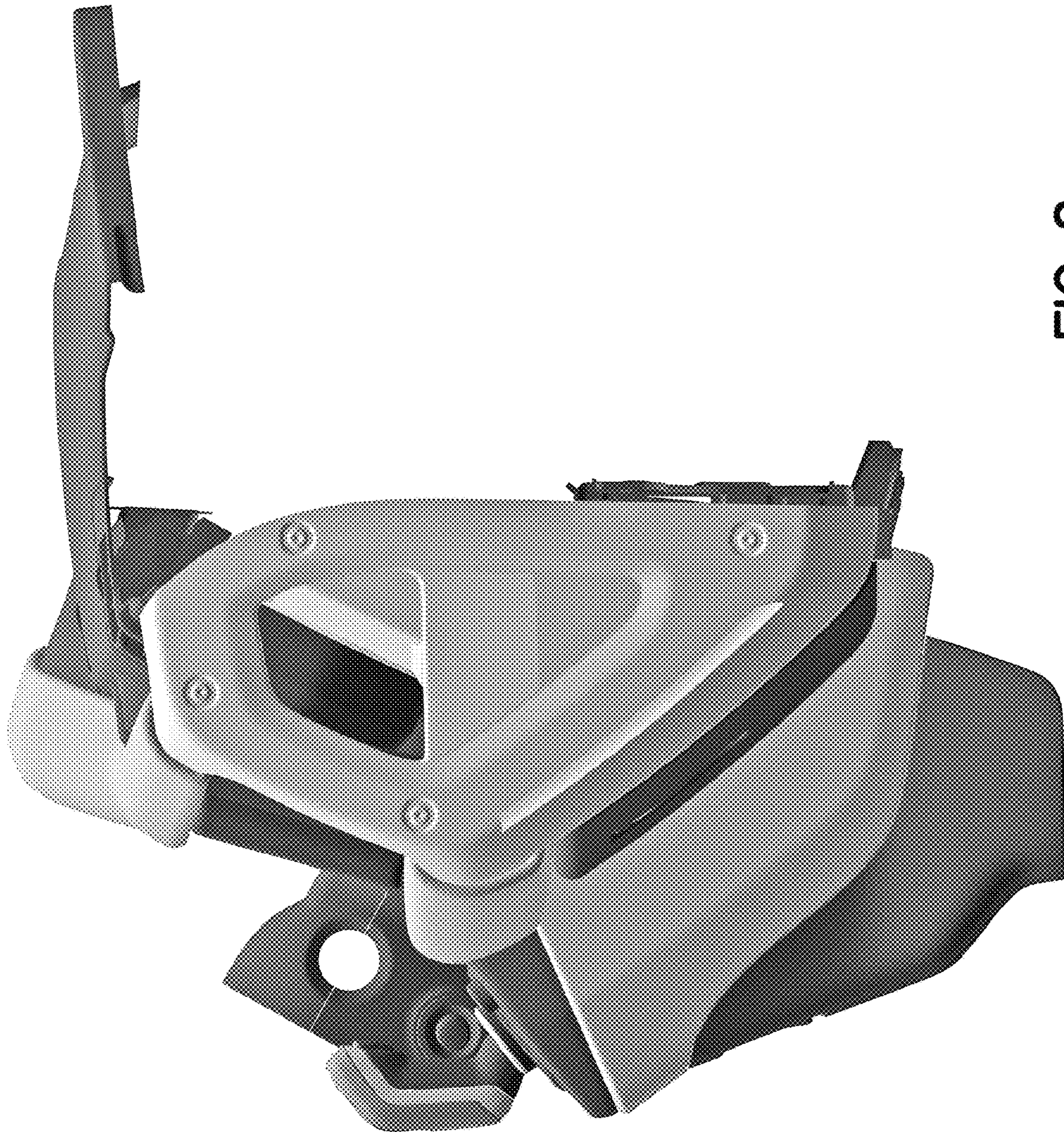


FIG. 8

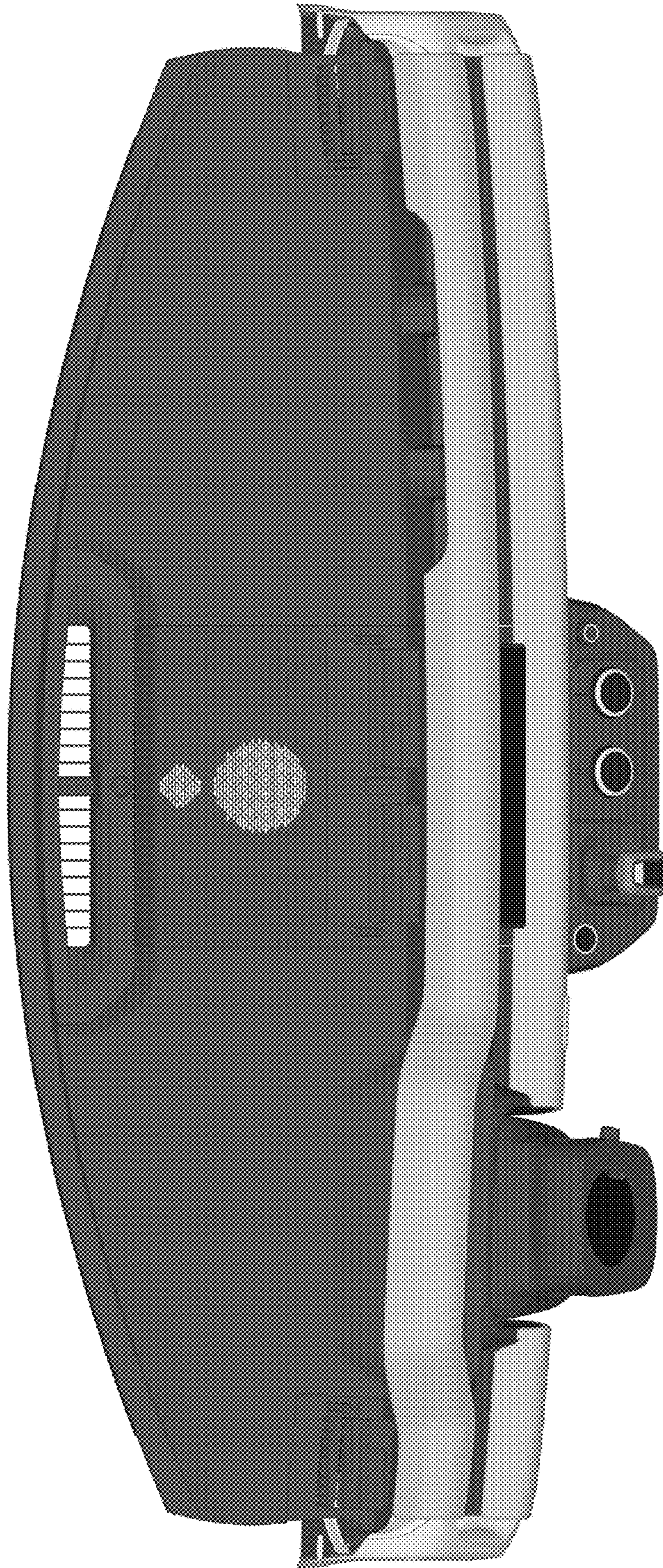


FIG. 9



FIG. 10

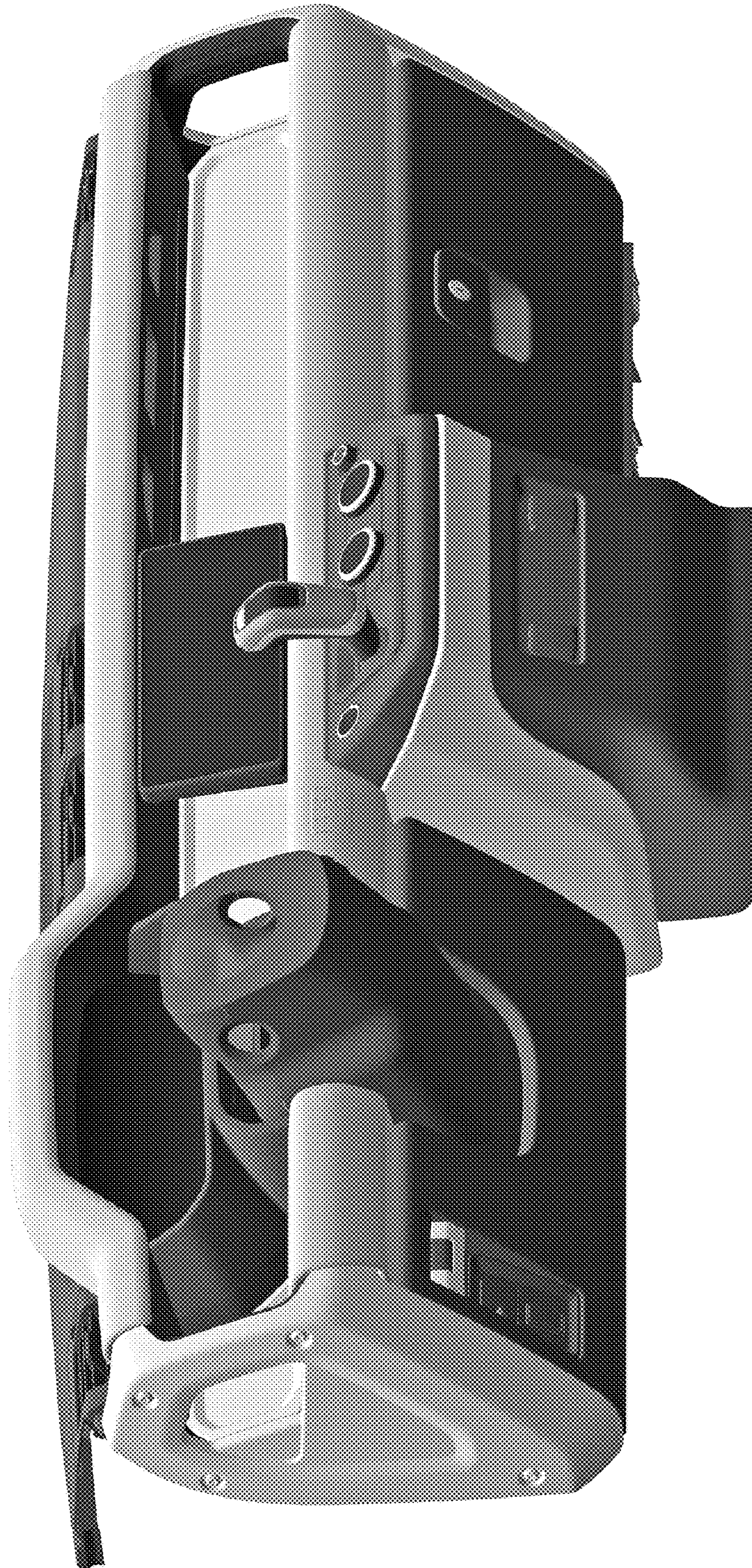


FIG. 11

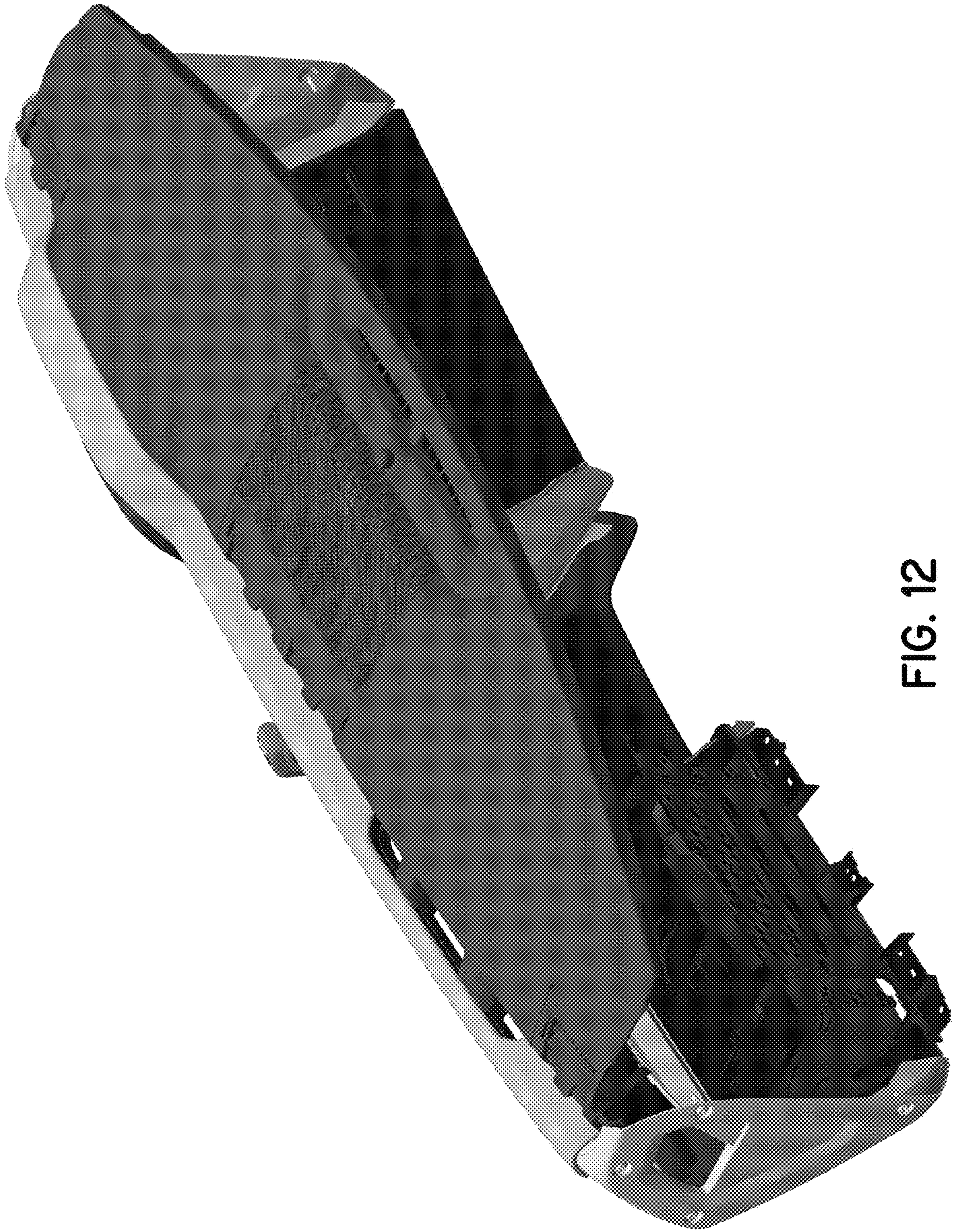


FIG. 12

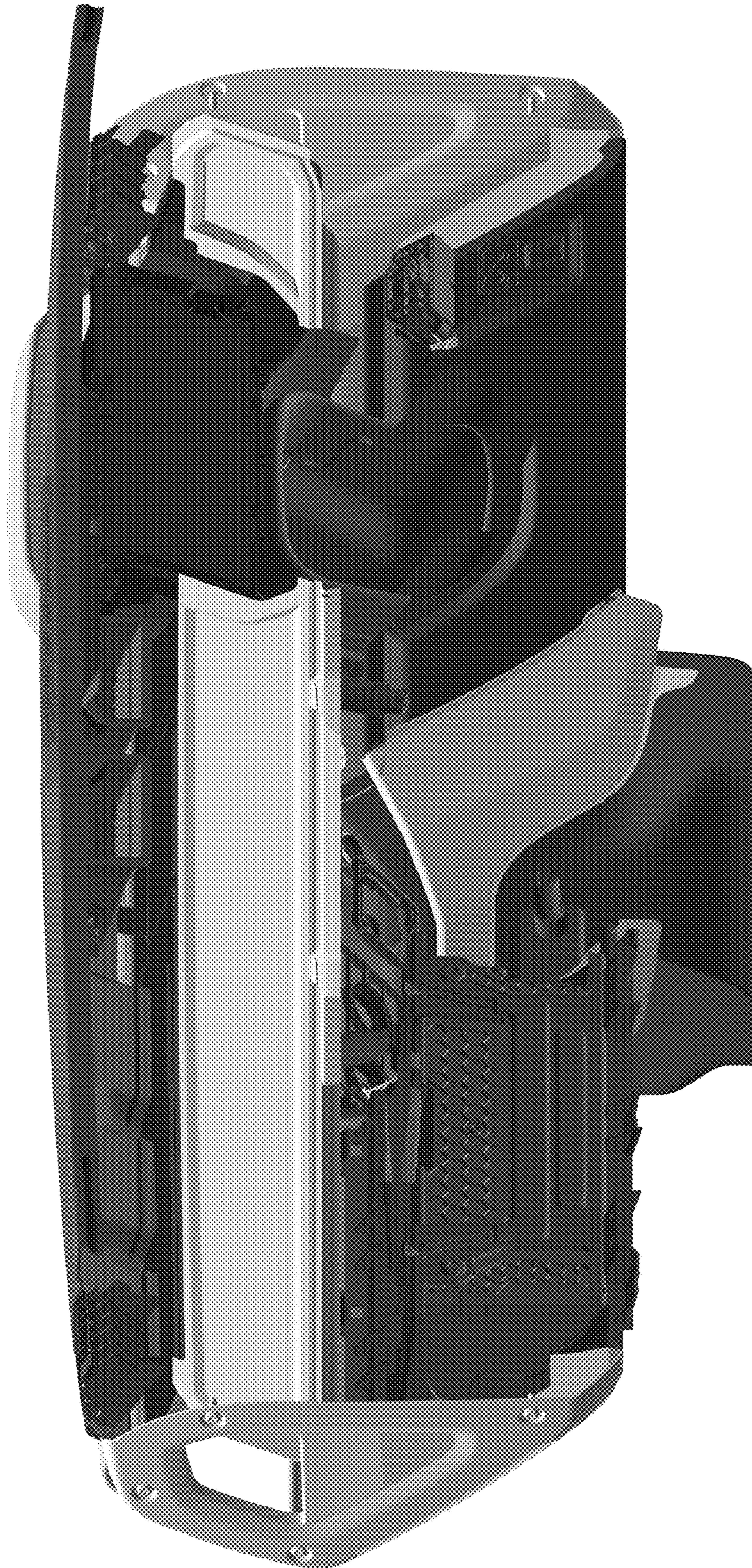


FIG. 13

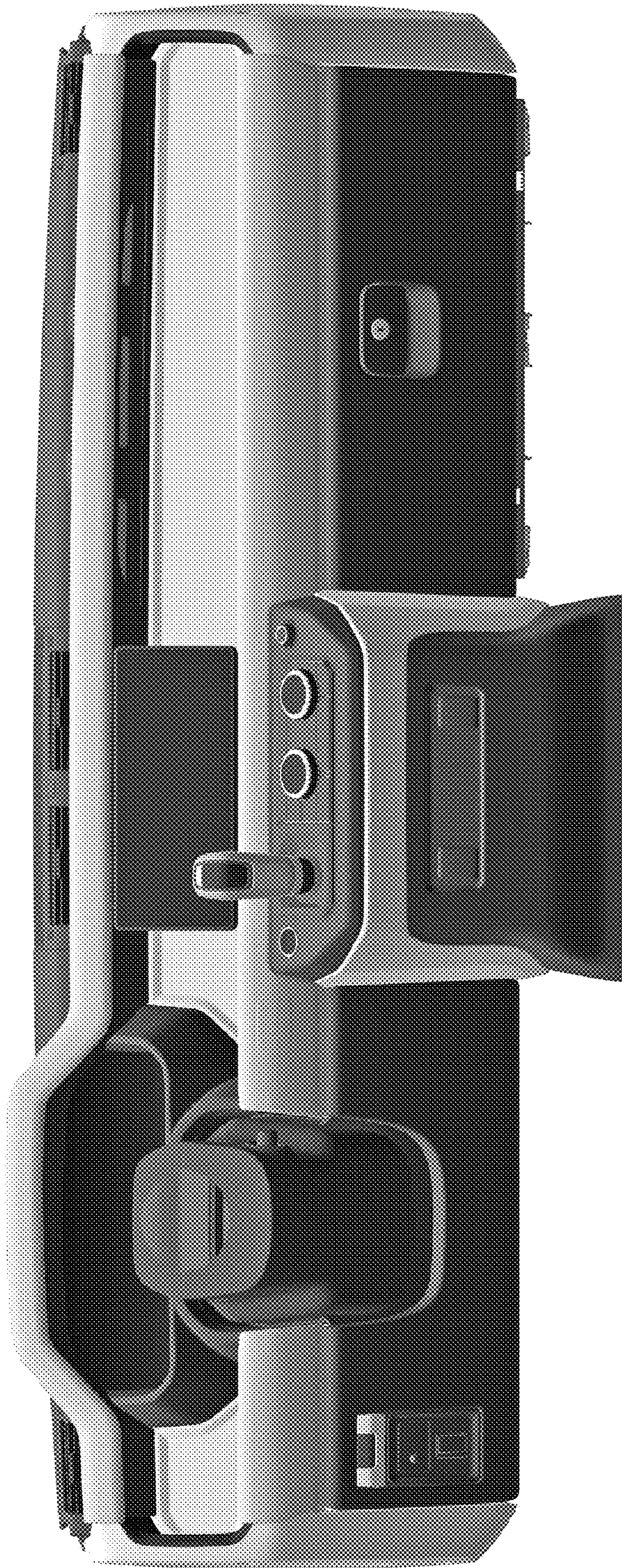


FIG. 14

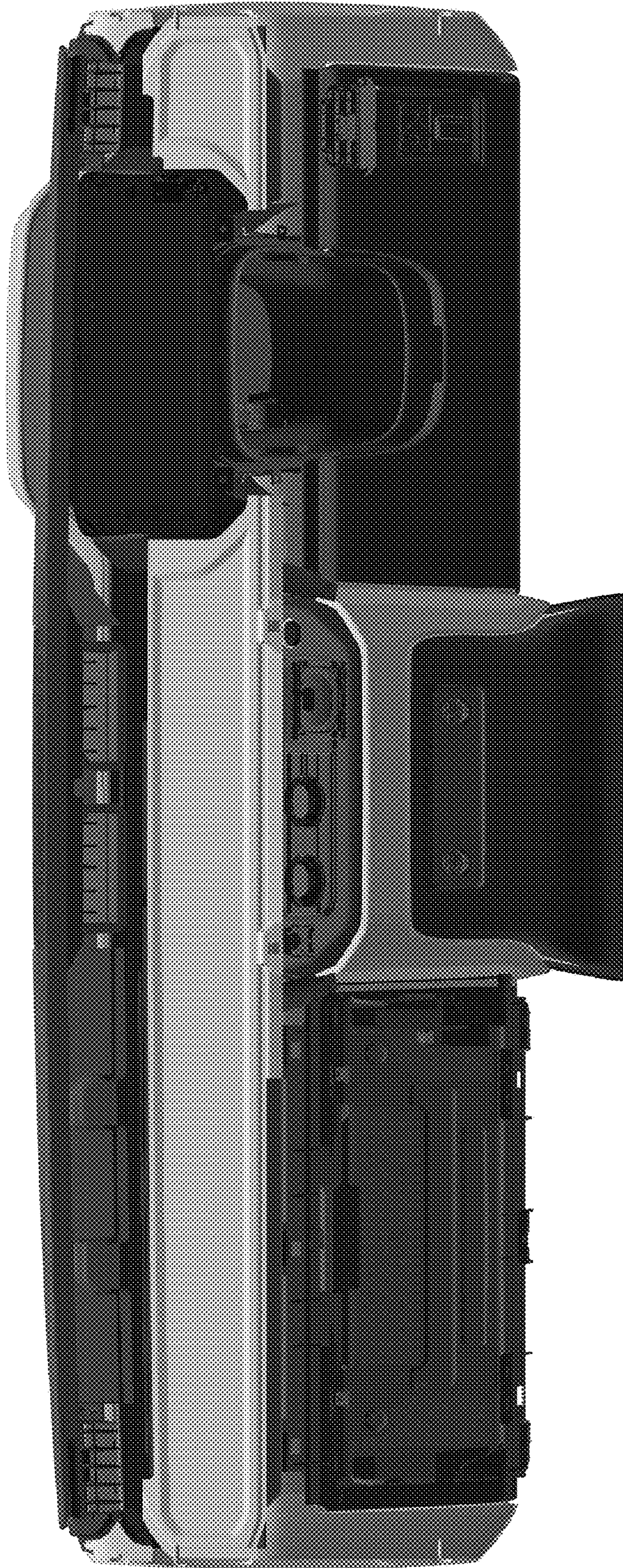


FIG. 15



FIG. 16



FIG. 17

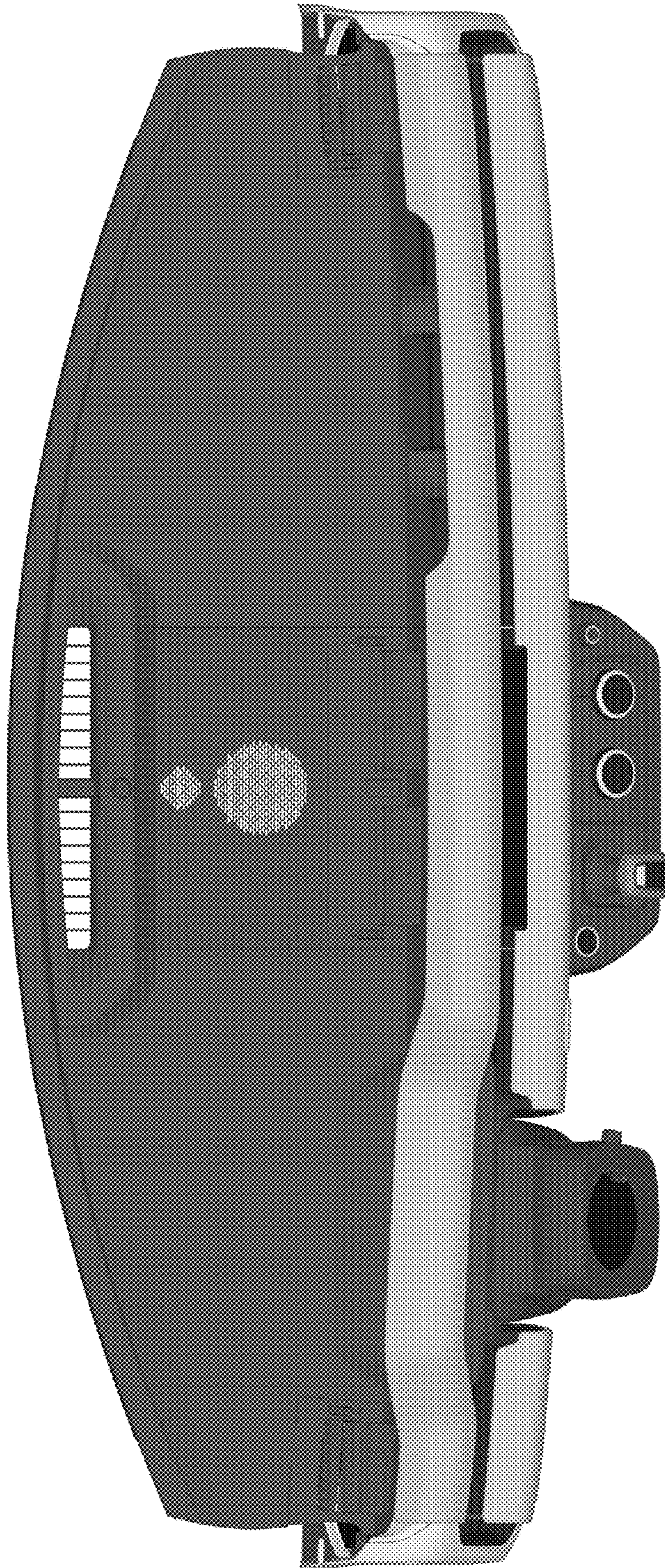


FIG. 18