



US00D881094S

(12) **United States Design Patent** (10) **Patent No.:** **US D881,094 S**
Dewitt et al. (45) **Date of Patent:** **** Apr. 14, 2020**

(54) **VEHICLE MIRROR**

(71) Applicant: **Ford Global Technologies, LLC,**
Dearborn, MI (US)

(72) Inventors: **David Dewitt,** Docklands (AU); **Todd Willing,** East Melbourne (AU); **Max Wolff,** Birmingham, MI (US)

(73) Assignee: **Ford Global Technologies, LLC,**
Dearborn, MI (US)

(**) Term: **15 Years**

(21) Appl. No.: **29/632,635**

(22) Filed: **Jan. 9, 2018**

(51) **LOC (12) Cl.** **12-16**

(52) **U.S. Cl.**
USPC **D12/187**

(58) **Field of Classification Search**
USPC D12/187, 188, 189, 191, 92; D6/300,
D6/309

CPC B60Q 1/2665; B60R 1/006; B60R 1/008;
B60R 1/02; B60R 1/06; B60R 1/0605;
B60R 1/074; B60R 1/076; B60R 1/078;
B60R 1/08; B60R 1/081; B60R 1/082;
B60R 1/10

See application file for complete search history.

(56) **References Cited**

U.S. PATENT DOCUMENTS

D578,047 S * 10/2008 Kaoud D12/187
D593,468 S * 6/2009 Wagner D12/187
D616,345 S * 5/2010 Bauer D12/187
D620,408 S * 7/2010 Elliott D12/187
D690,637 S * 10/2013 O'Donnell D12/187
D691,076 S * 10/2013 Vincent D12/187
D716,206 S * 10/2014 Thole D12/187
D731,379 S * 6/2015 Behmer D12/187
D802,502 S * 11/2017 McMahan D12/187

D807,263 S * 1/2018 Piscitelli D12/187
D809,442 S * 2/2018 Zipfel D12/187
2009/0115631 A1* 5/2009 Foote B60Q 1/2665
340/901

* cited by examiner

Primary Examiner — Susan E Krakower
Assistant Examiner — Jerry Shiuan-Hua Hsu

(57) **CLAIM**

The ornamental design for a vehicle mirror, as shown and described.

DESCRIPTION

FIG. 1 is a front elevational view of a vehicle mirror, showing our new design;

FIG. 2 is a rear elevational view thereof;

FIG. 3 is a left side elevational view thereof;

FIG. 4 is a right side elevational view thereof;

FIG. 5 is a top plan view thereof;

FIG. 6 is a bottom plan view thereof;

FIG. 7 is a top, front, and left side perspective view thereof; and

FIG. 8 is a bottom, front, and left side perspective view thereof.

FIG. 9 is a front elevational view of a second embodiment of a vehicle mirror, showing our new design;

FIG. 10 is a rear elevational view thereof;

FIG. 11 is a left side elevational view thereof;

FIG. 12 is a right side elevational view thereof;

FIG. 13 is a top plan view thereof;

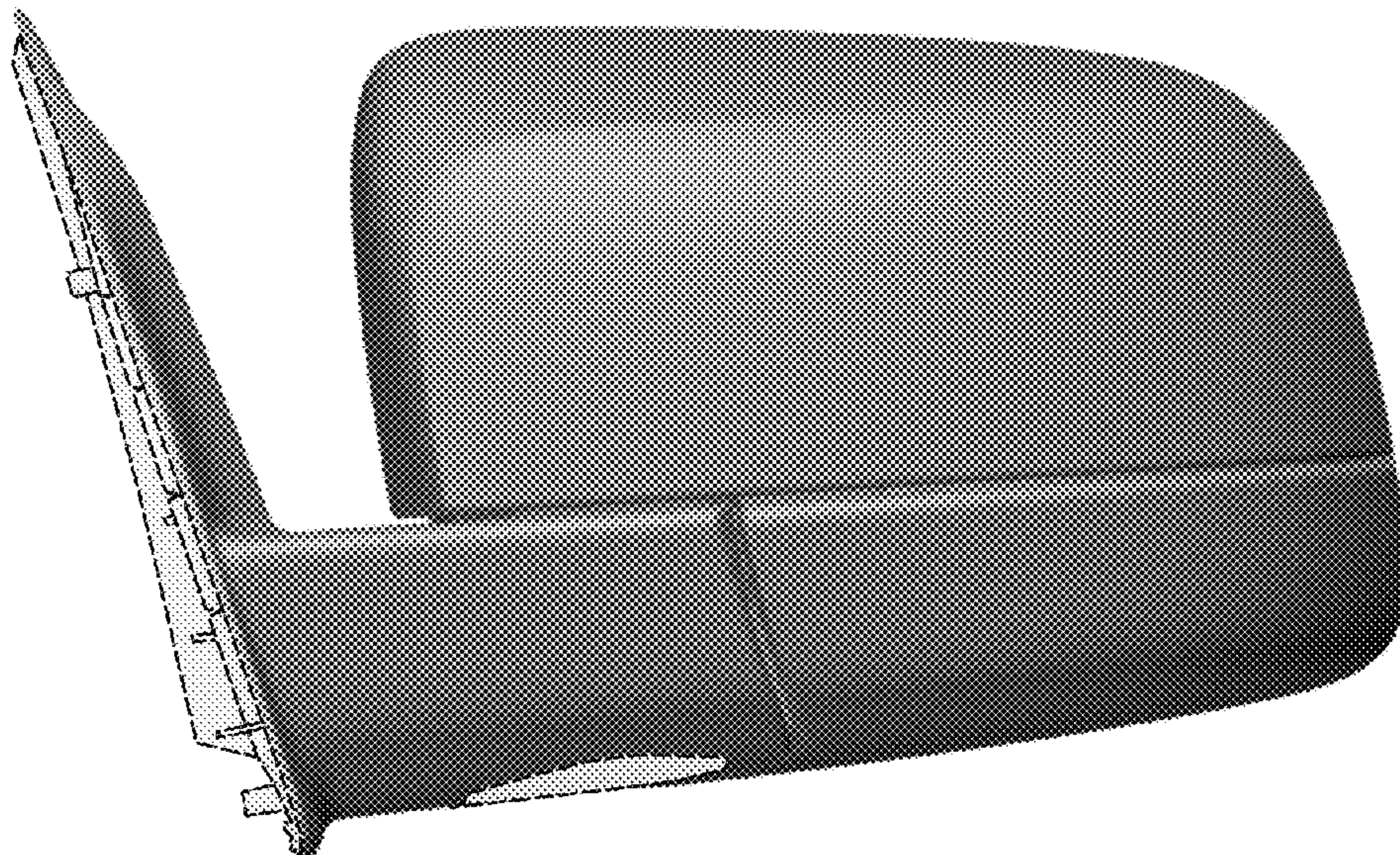
FIG. 14 is a bottom plan view thereof;

FIG. 15 is a top, front, and left side perspective view thereof; and,

FIG. 16 is a bottom, front, and left side perspective view thereof.

Any broken lines represent an internal boundary of the design; the line itself and the area within form no part of the claim.

1 Claim, 16 Drawing Sheets



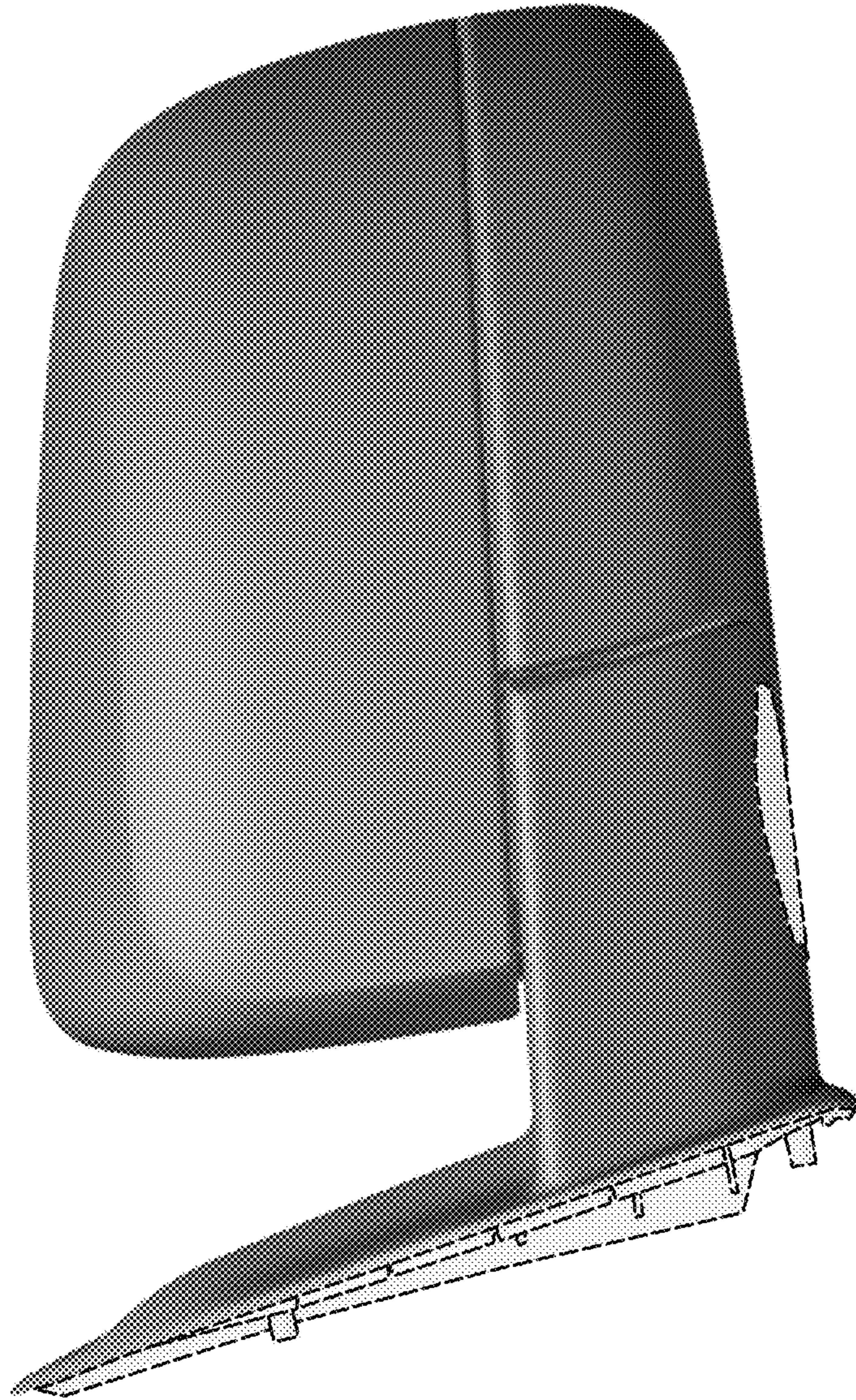


FIG.1

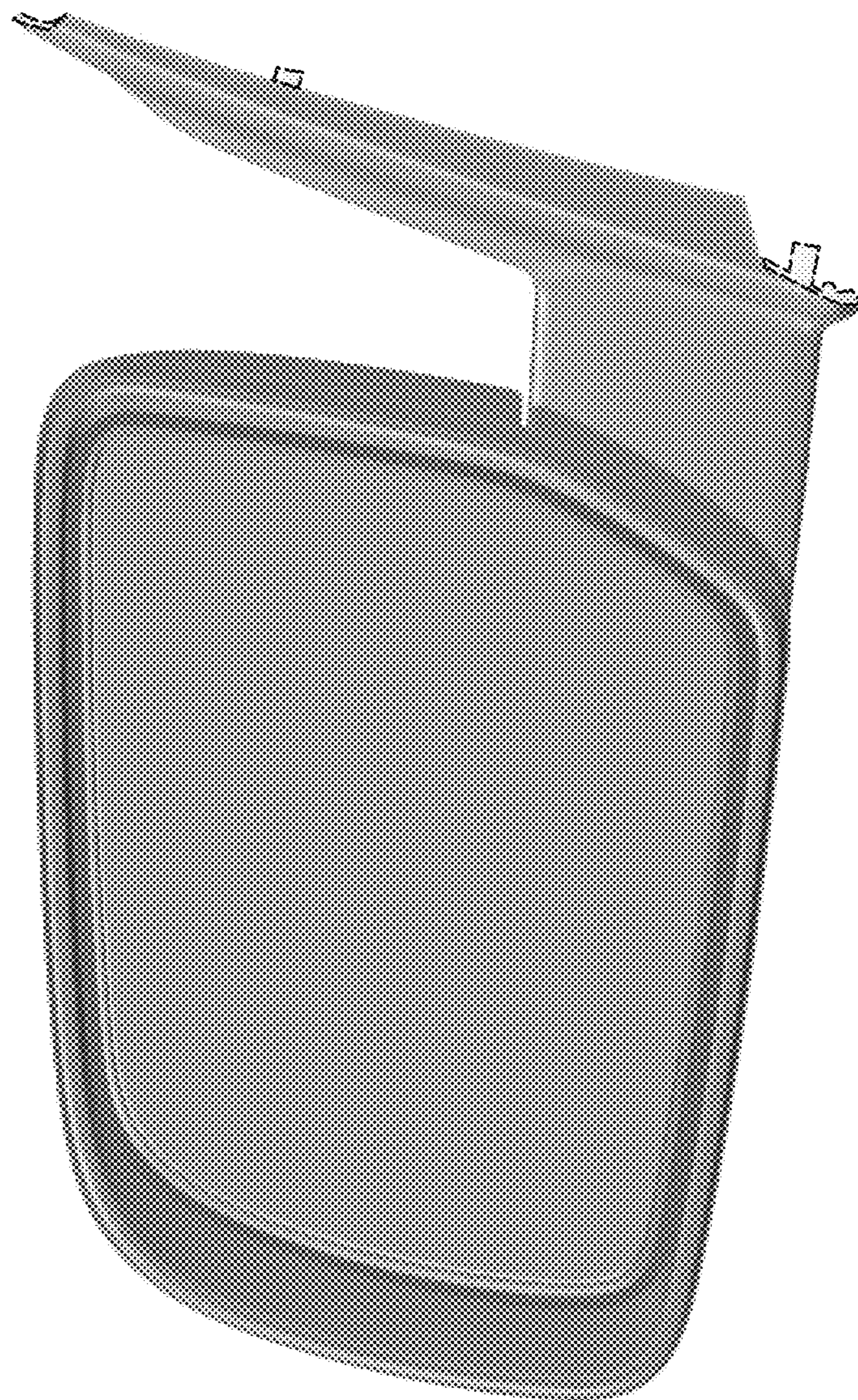


FIG. 2

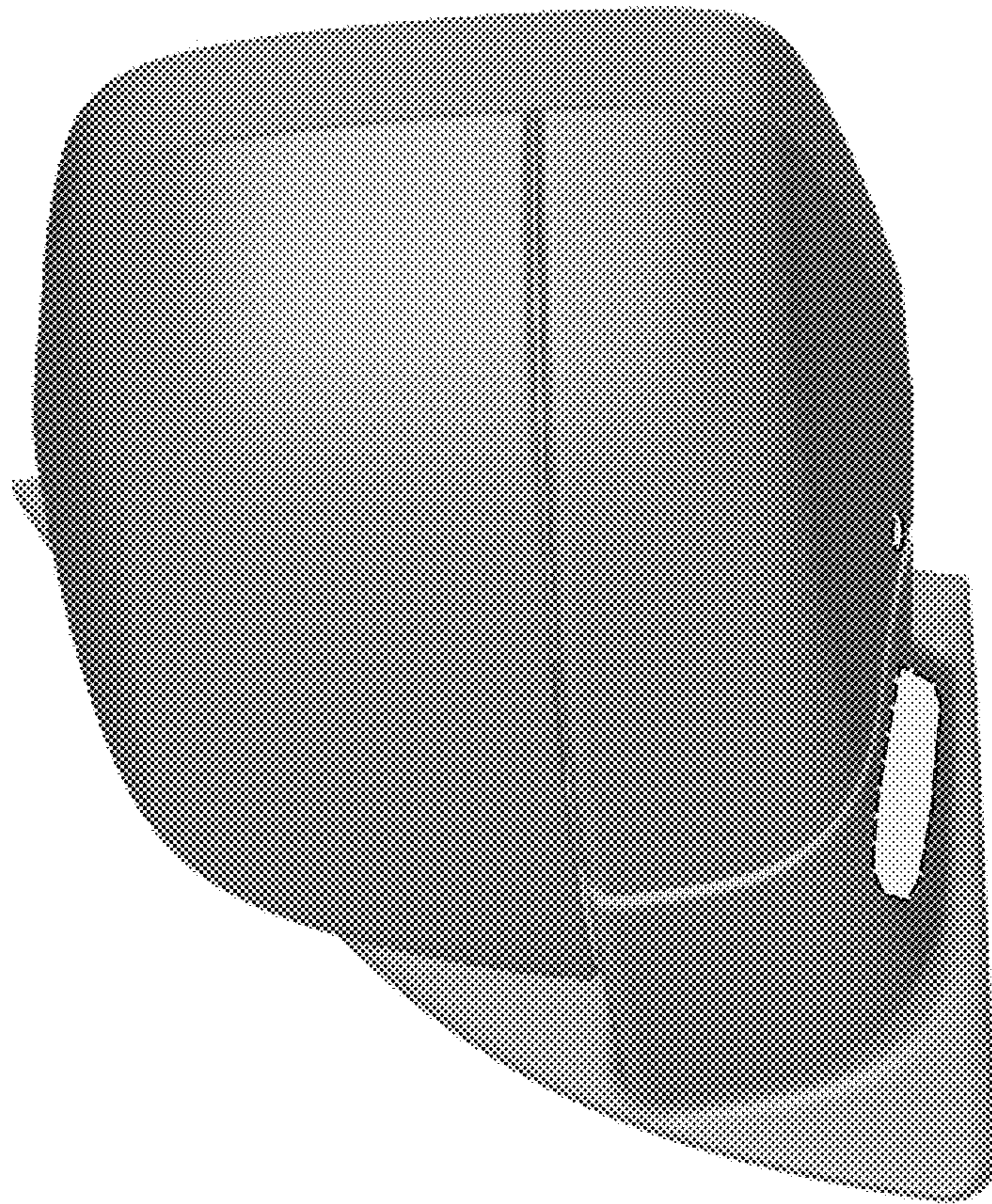


FIG. 3

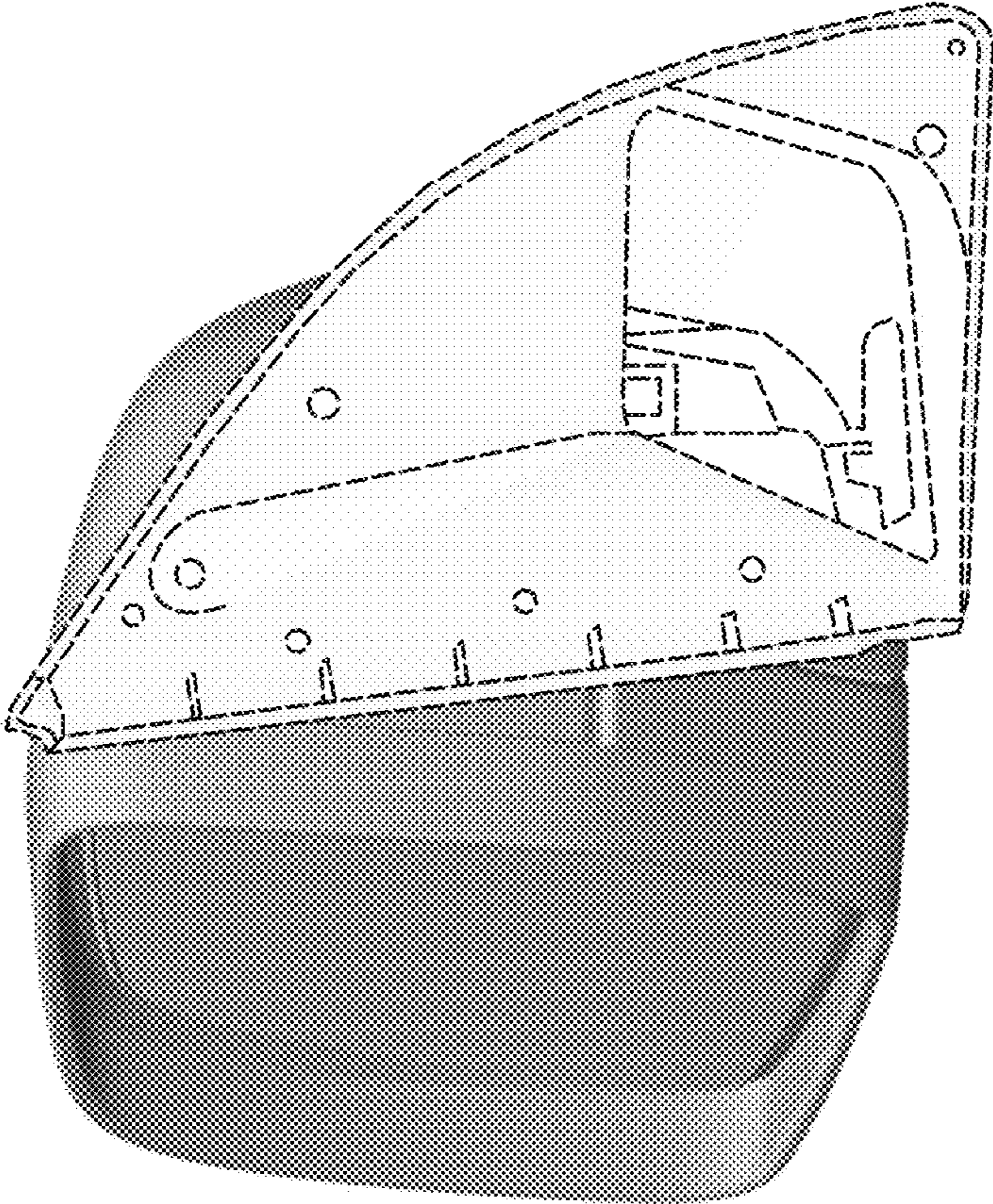


FIG. 4



FIG. 5

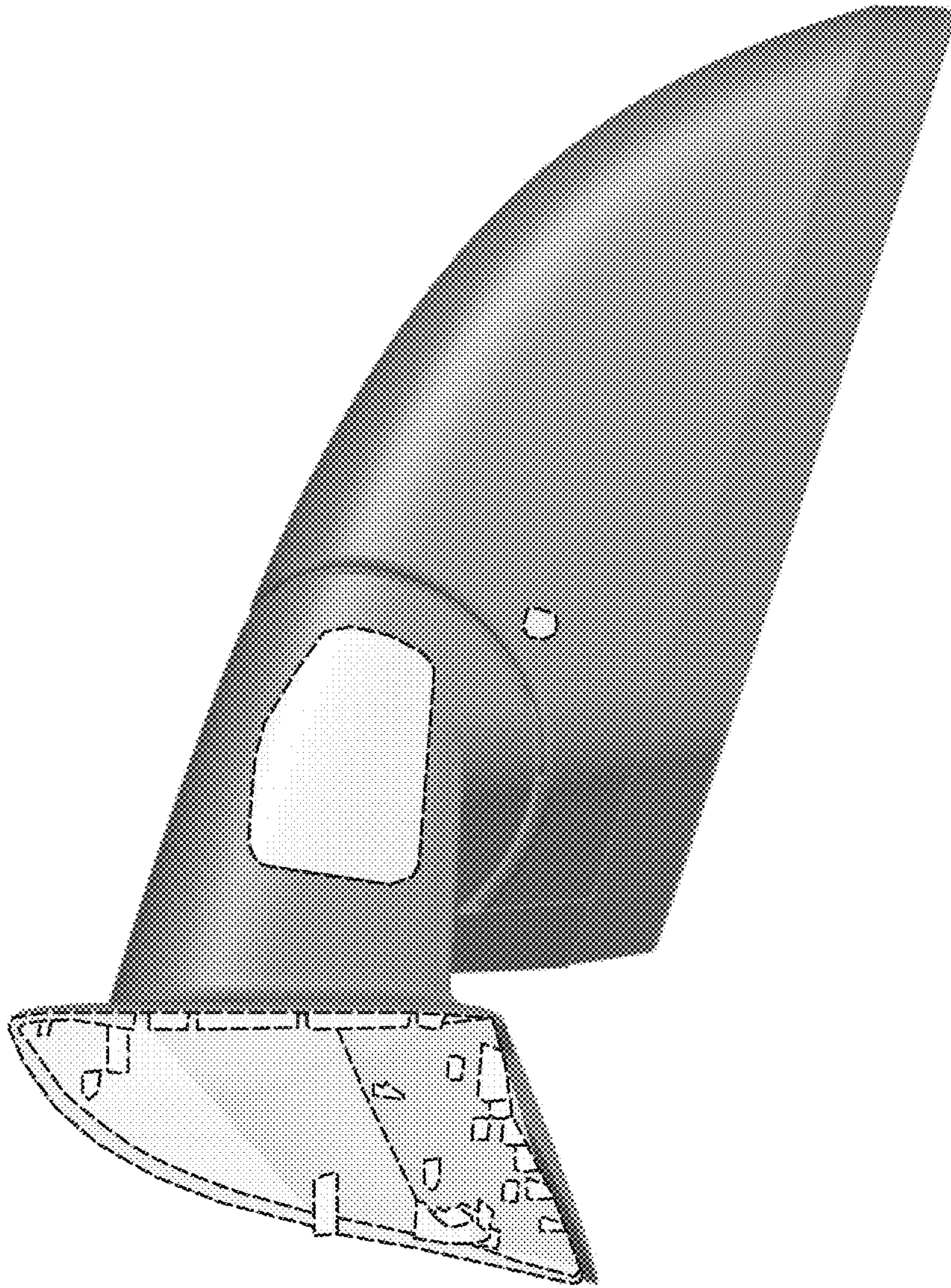


FIG. 6



FIG. 7

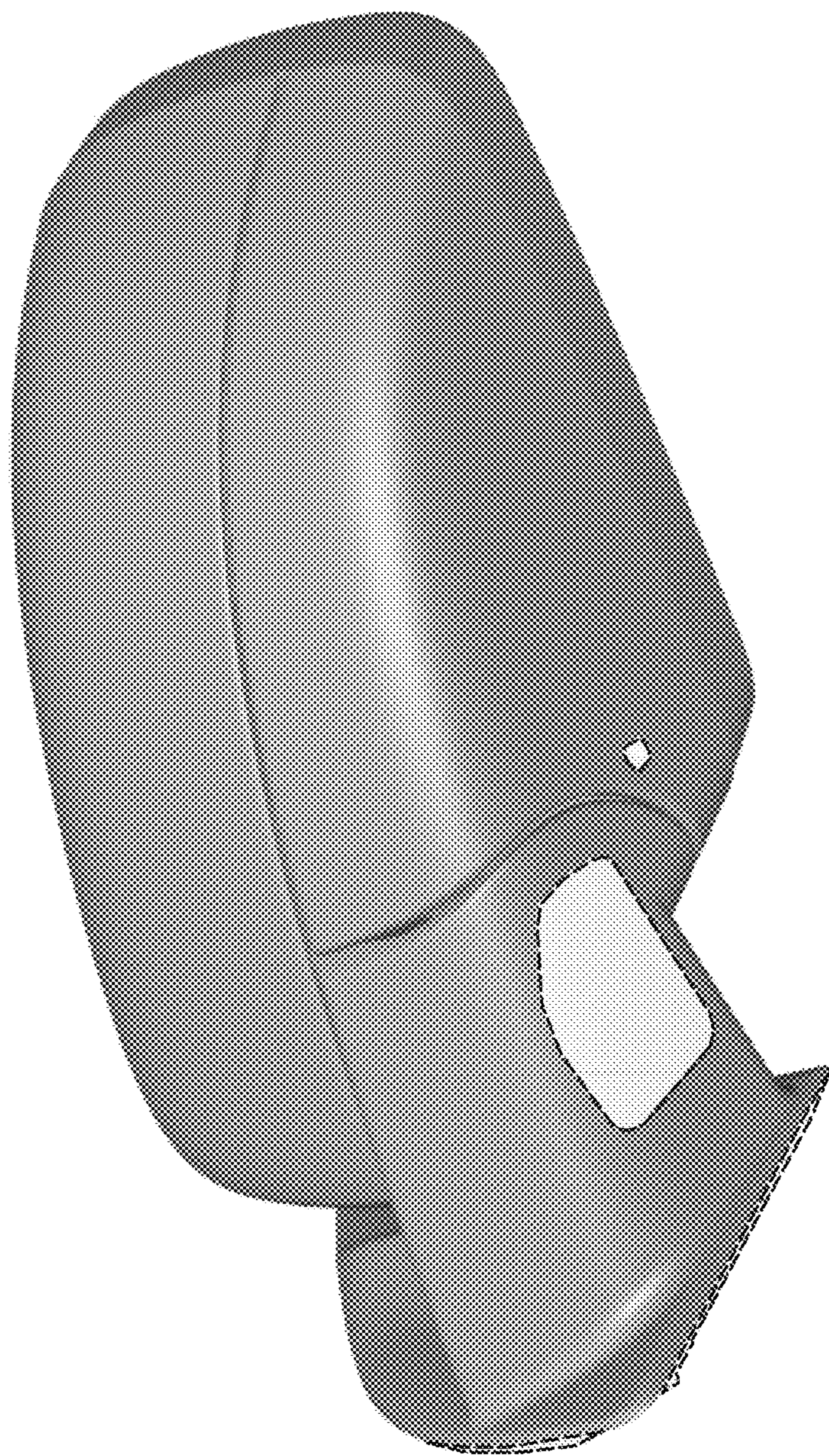


FIG. 8

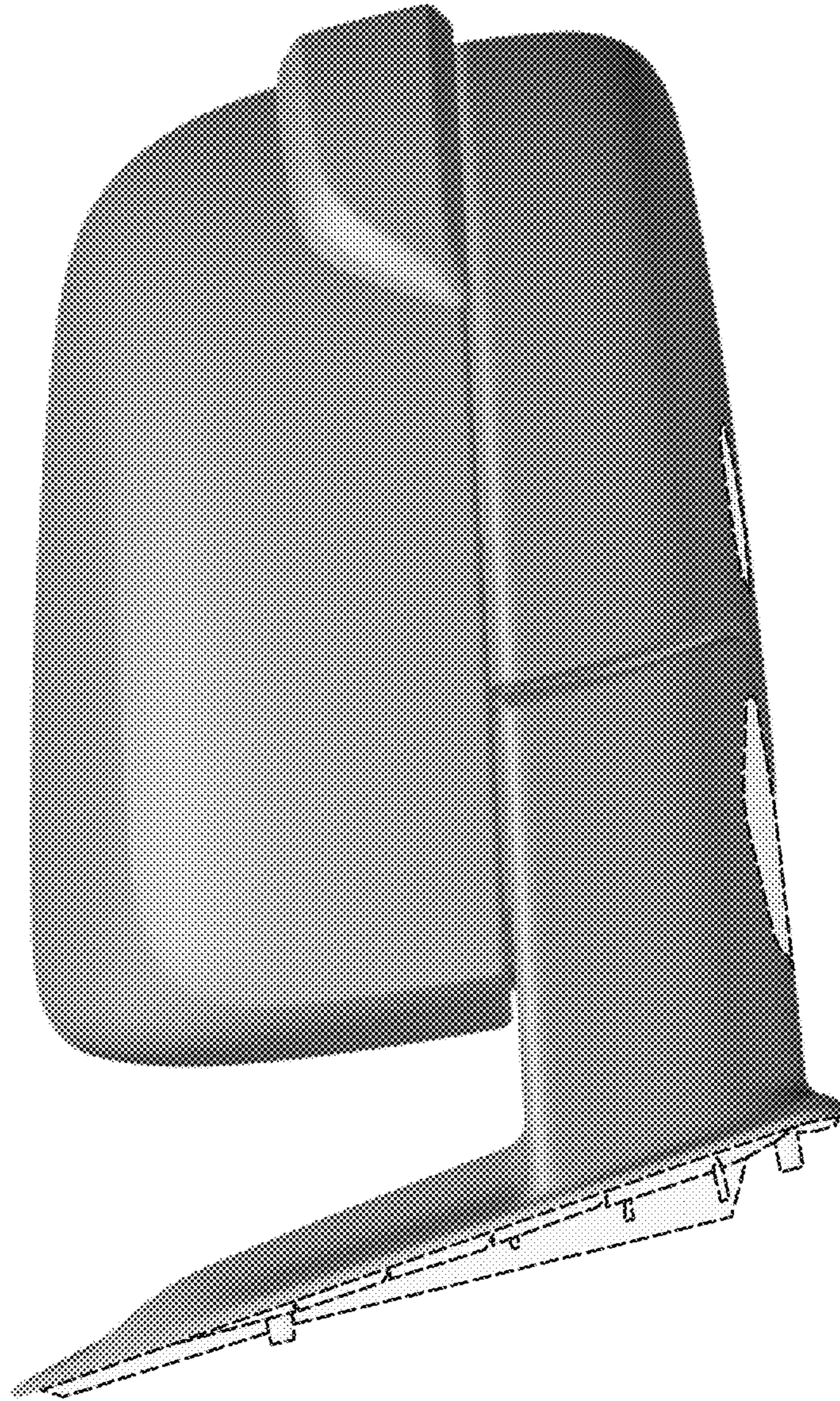


FIG. 9

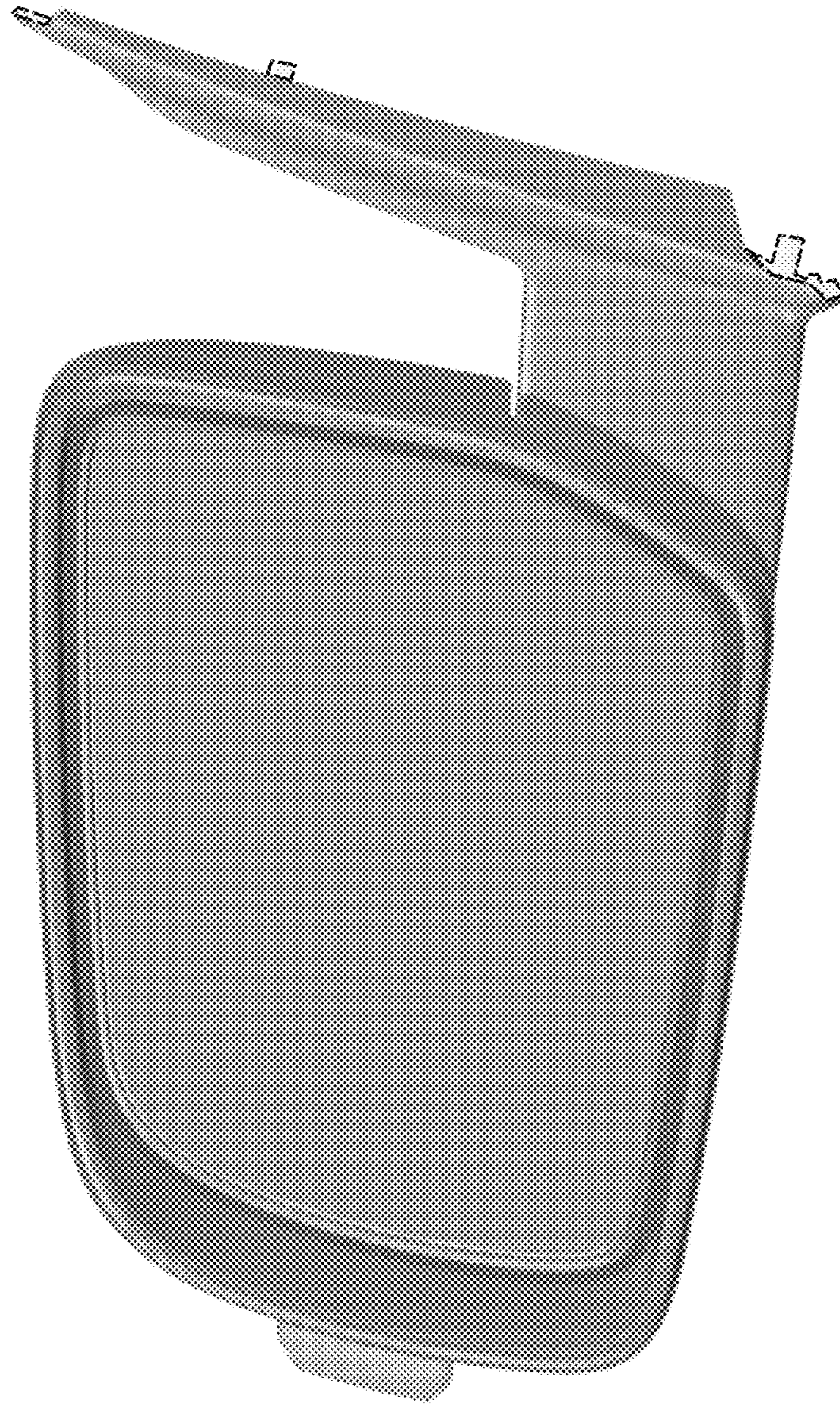


FIG. 10

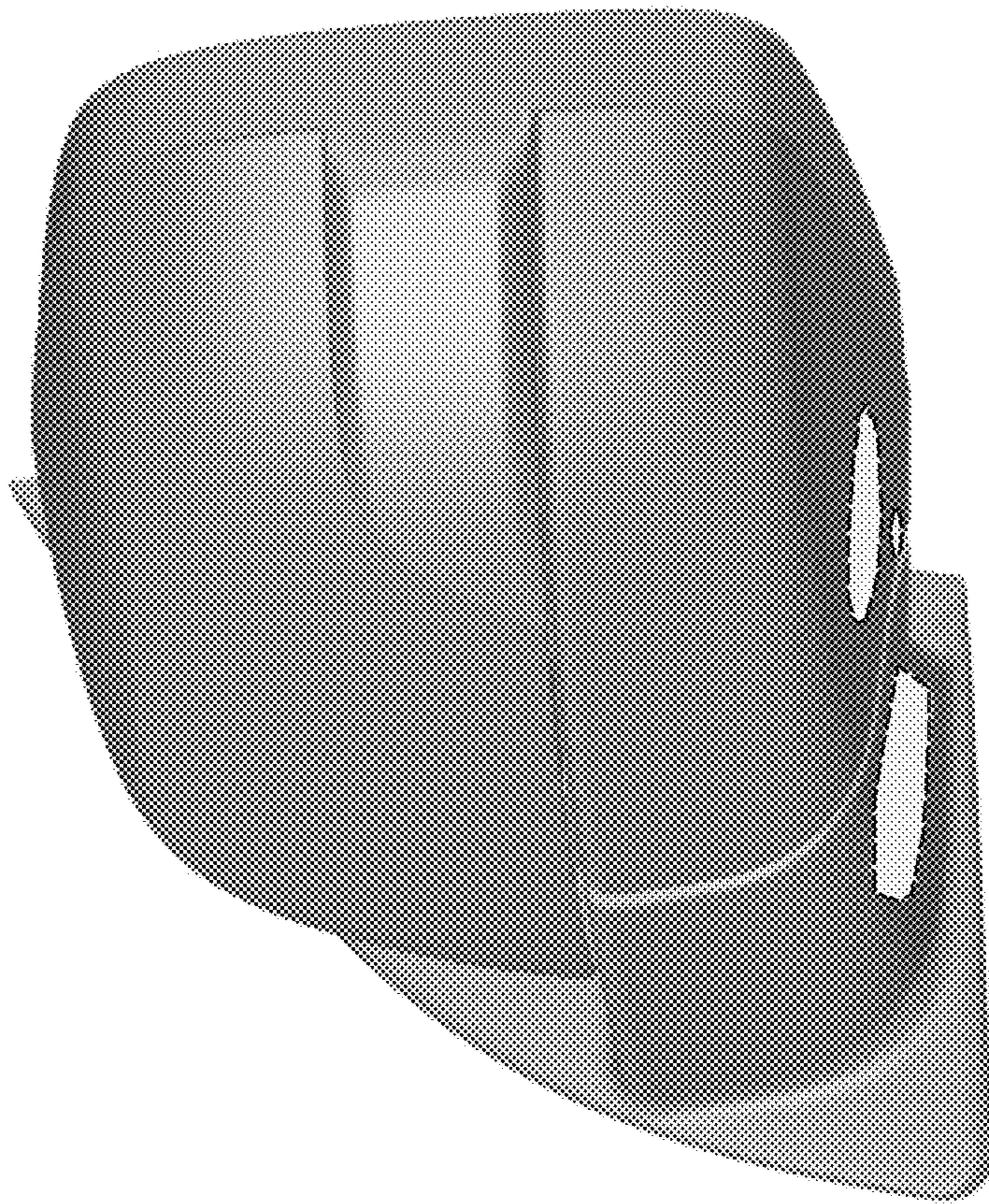


FIG. 11

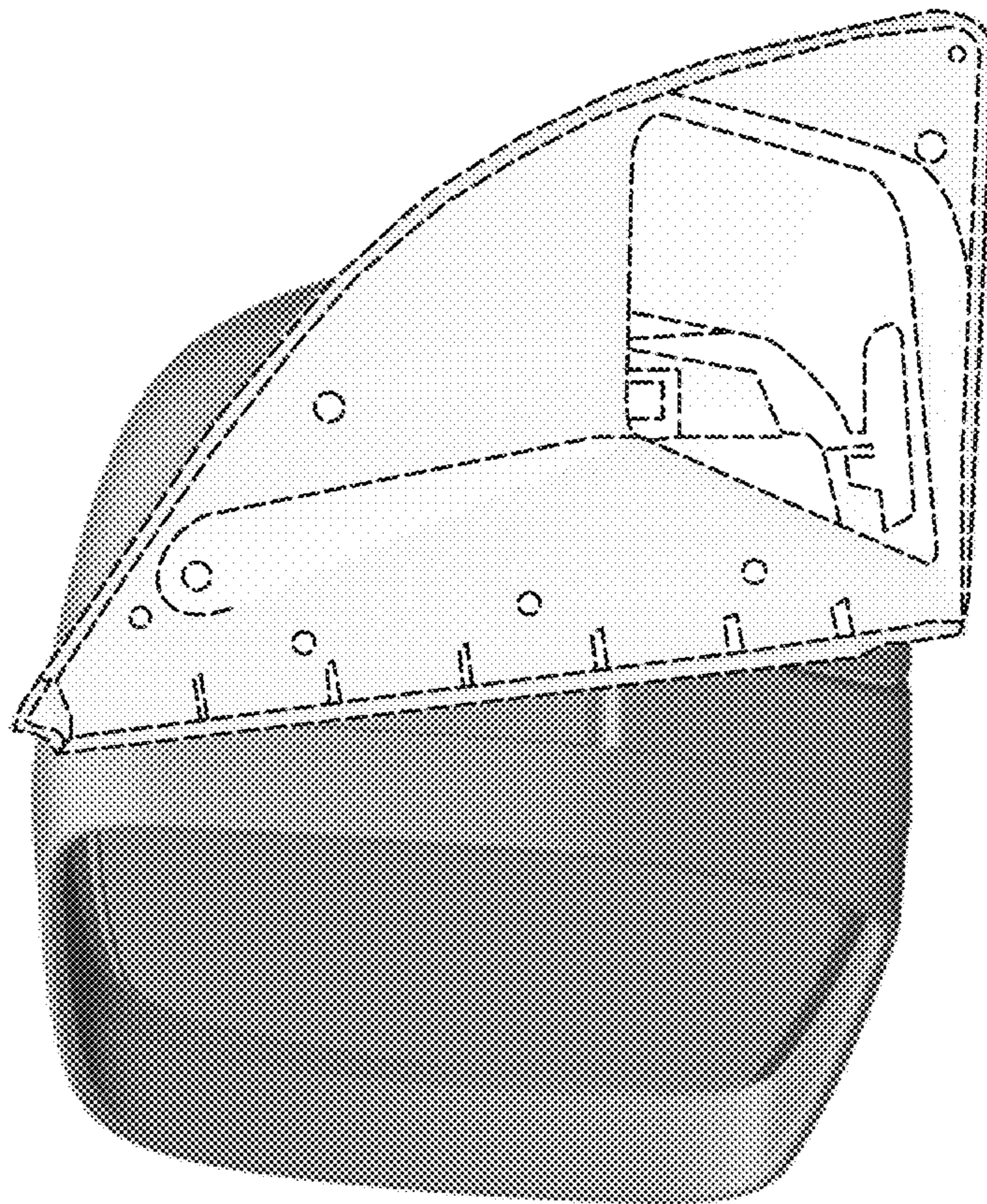


FIG. 12

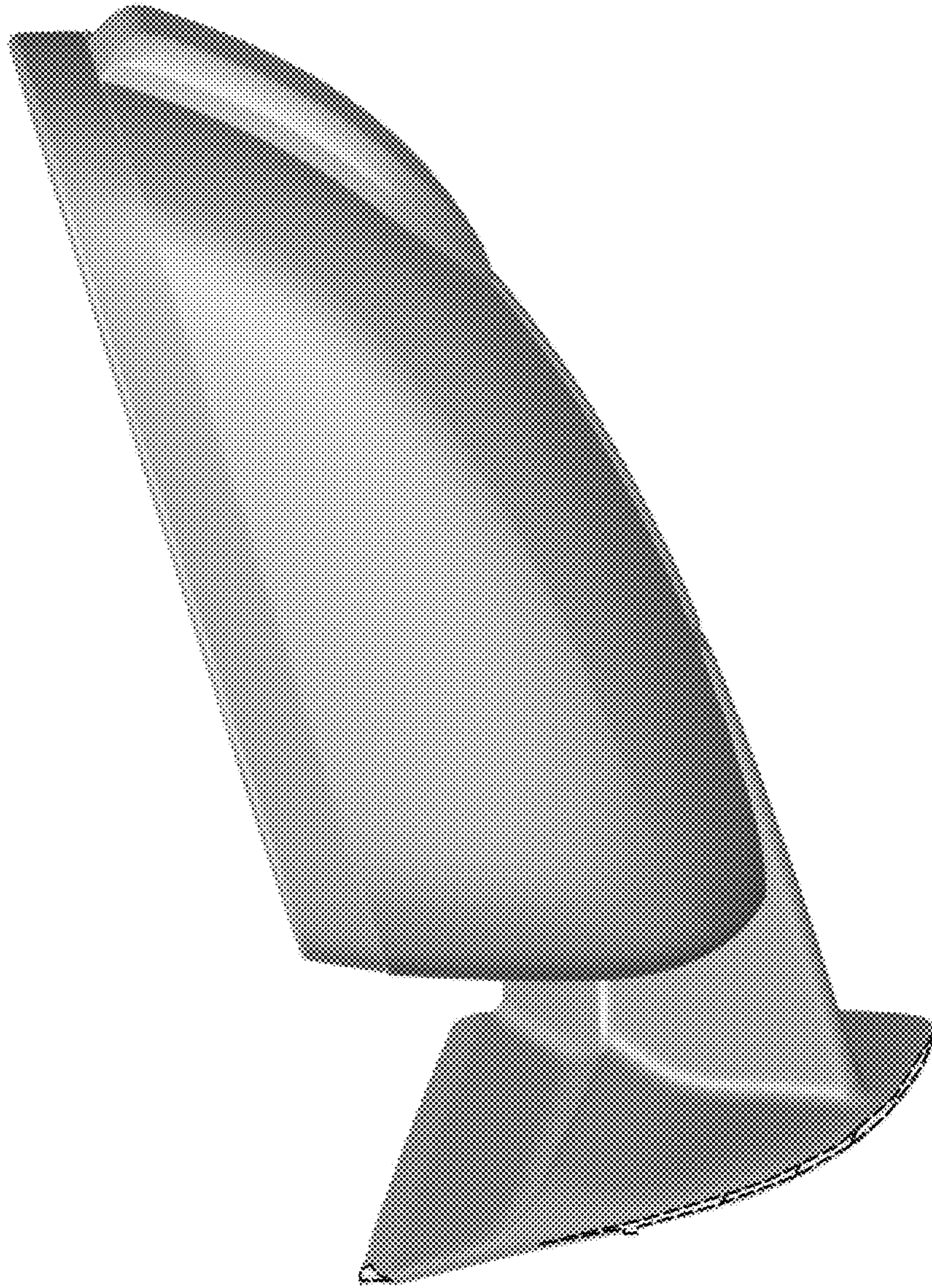


FIG. 13

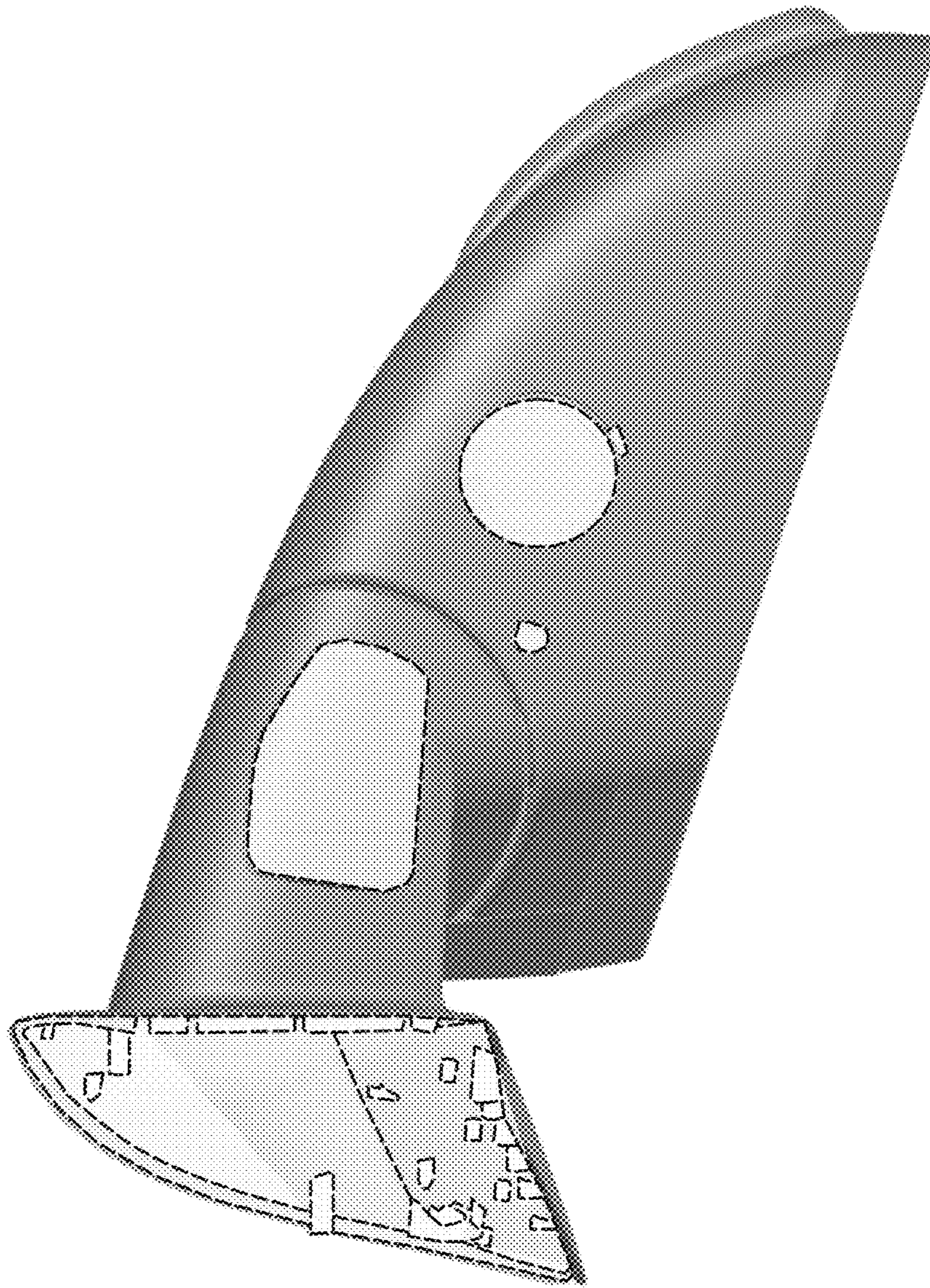


FIG. 14



FIG. 15

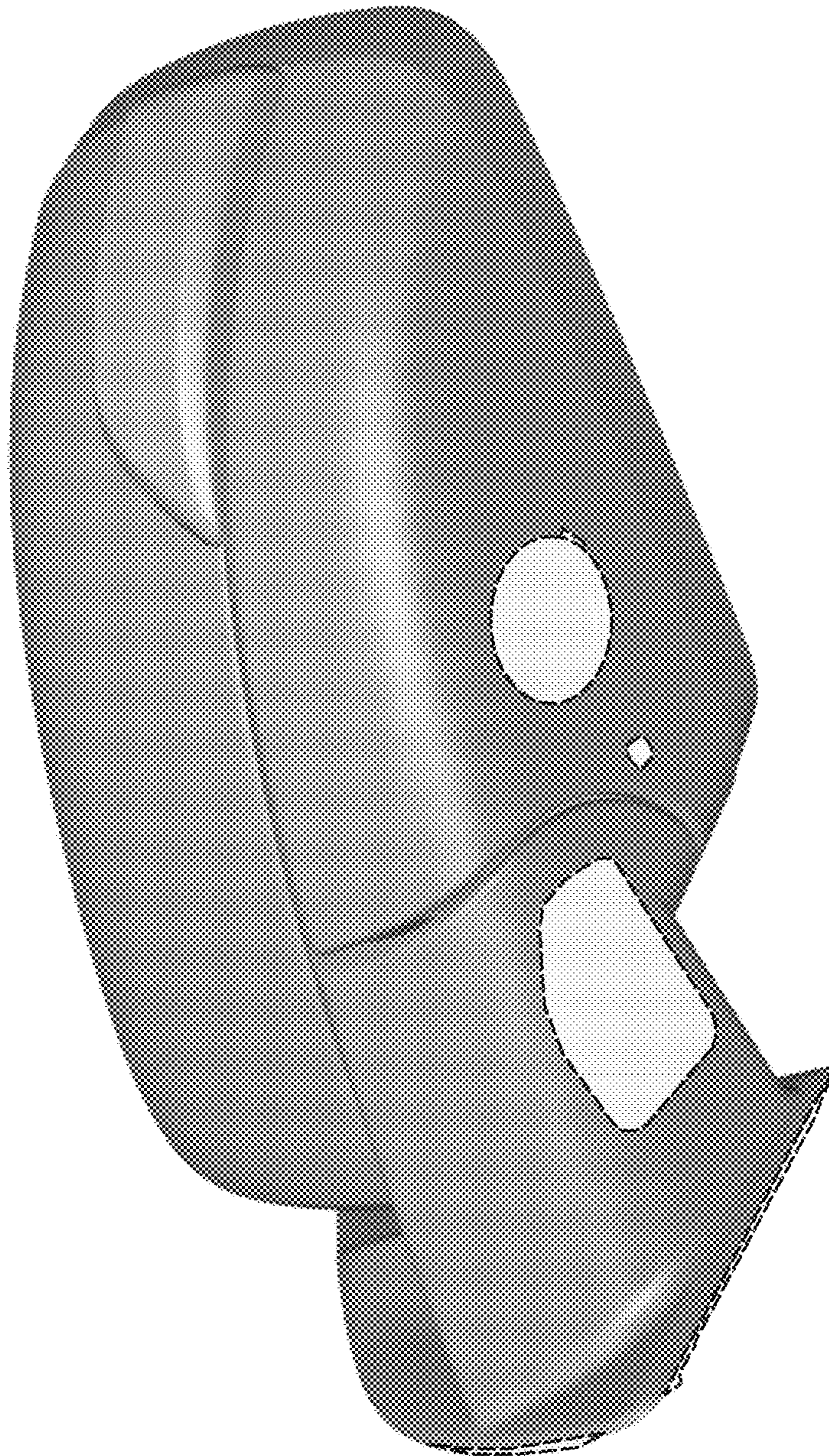


FIG. 16