



US00D881090S

(12) **United States Design Patent**  
**Braun**

(10) **Patent No.:** **US D881,090 S**

(45) **Date of Patent:** **\*\* Apr. 14, 2020**

(54) **STEERING WHEEL**

D798,205 S \* 9/2017 Kim ..... D12/176  
D798,206 S \* 9/2017 Sjogren ..... D12/176  
D848,913 S \* 5/2019 Sjogren ..... D12/176

(71) Applicant: **Rivian IP Holdings, LLC**, Plymouth, MI (US)

\* cited by examiner

(72) Inventor: **Matthew Braun**, Ann Arbor, MI (US)

*Primary Examiner* — Melody N Brown

(73) Assignee: **Rivian IP Holdings, LLC**, Plymouth, MI (US)

(74) *Attorney, Agent, or Firm* — Haley Guiliano LLP; James A. Leiz

(\*\*) Term: **15 Years**

(57) **CLAIM**

(21) Appl. No.: **29/669,975**

The ornamental design for a steering wheel, as shown and described.

(22) Filed: **Nov. 13, 2018**

(51) **LOC (12) Cl.** ..... **12-16**

**DESCRIPTION**

(52) **U.S. Cl.**  
USPC ..... **D12/176**

(58) **Field of Classification Search**  
USPC ..... D12/175, 176; 74/552, 558, 558.5  
CPC ..... B60R 21/203; B60R 21/05; B62D 1/04  
See application file for complete search history.

FIG. 1 is a front elevational view of a steering wheel for a vehicle showing my new design;  
FIG. 2 is a top and front perspective view thereof;  
FIG. 3 is a left side elevational view thereof, the right side being a mirror image thereof;  
FIG. 4 is a rear and bottom perspective view thereof; and,  
FIG. 5 is a front and left side view thereof.

(56) **References Cited**

**U.S. PATENT DOCUMENTS**

D709,006 S \* 7/2014 Busse ..... D12/176  
D741,759 S \* 10/2015 Persson ..... D12/176  
D772,124 S \* 11/2016 Lee ..... D12/176  
D786,153 S \* 5/2017 Callum ..... D12/176  
D787,390 S \* 5/2017 Kanda ..... D12/176  
D797,621 S \* 9/2017 Ogawa ..... D12/176

The portions of the vehicle shown throughout the drawing views in a de-emphasized and half-tone form within the broken lines and the broken lines representing the boundary and configuration of what is not being claimed as the design are all for environmental and illustrative purposes only and form no part of the claimed design.

**1 Claim, 5 Drawing Sheets**





FIG. 1

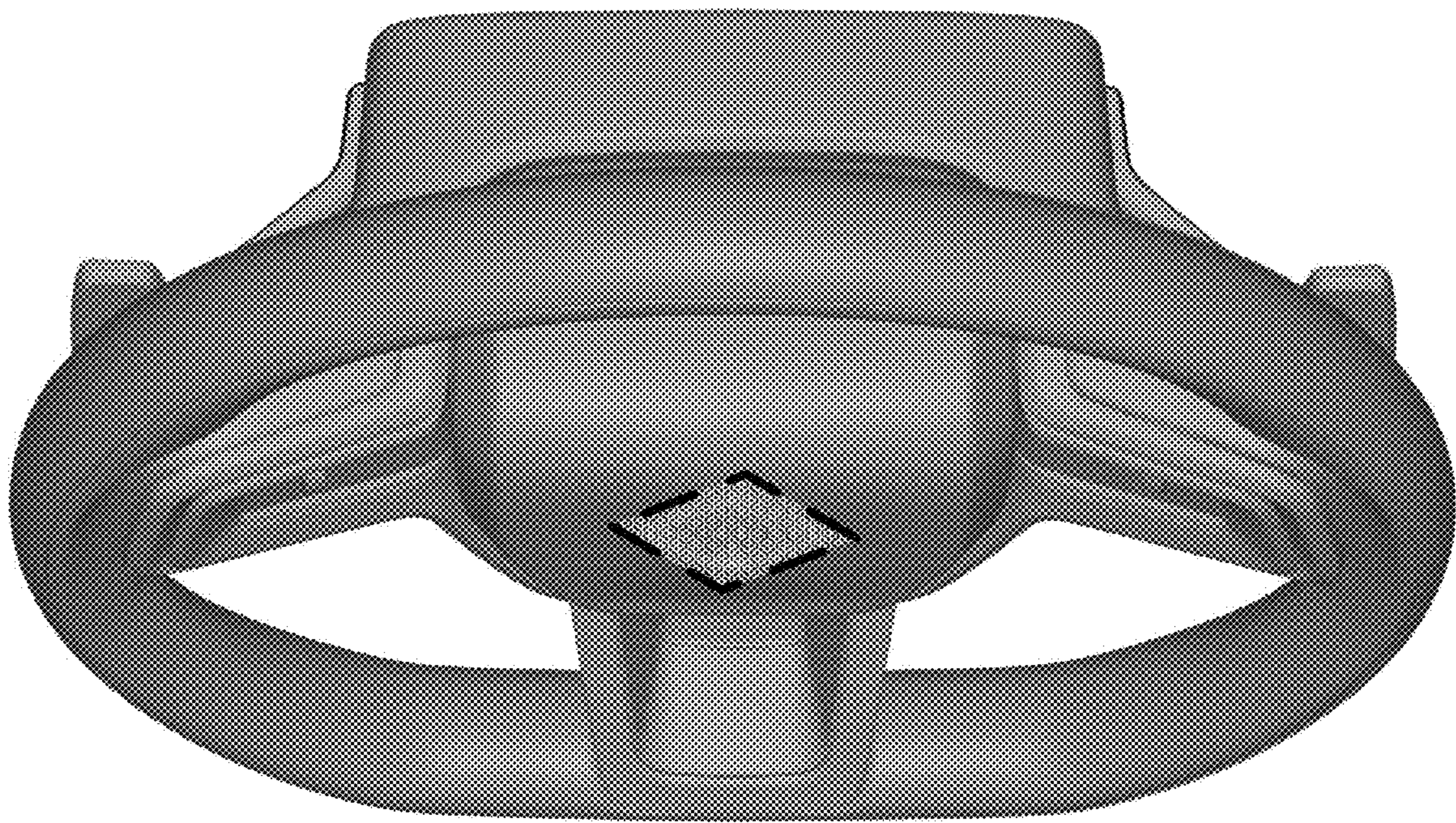


FIG. 2

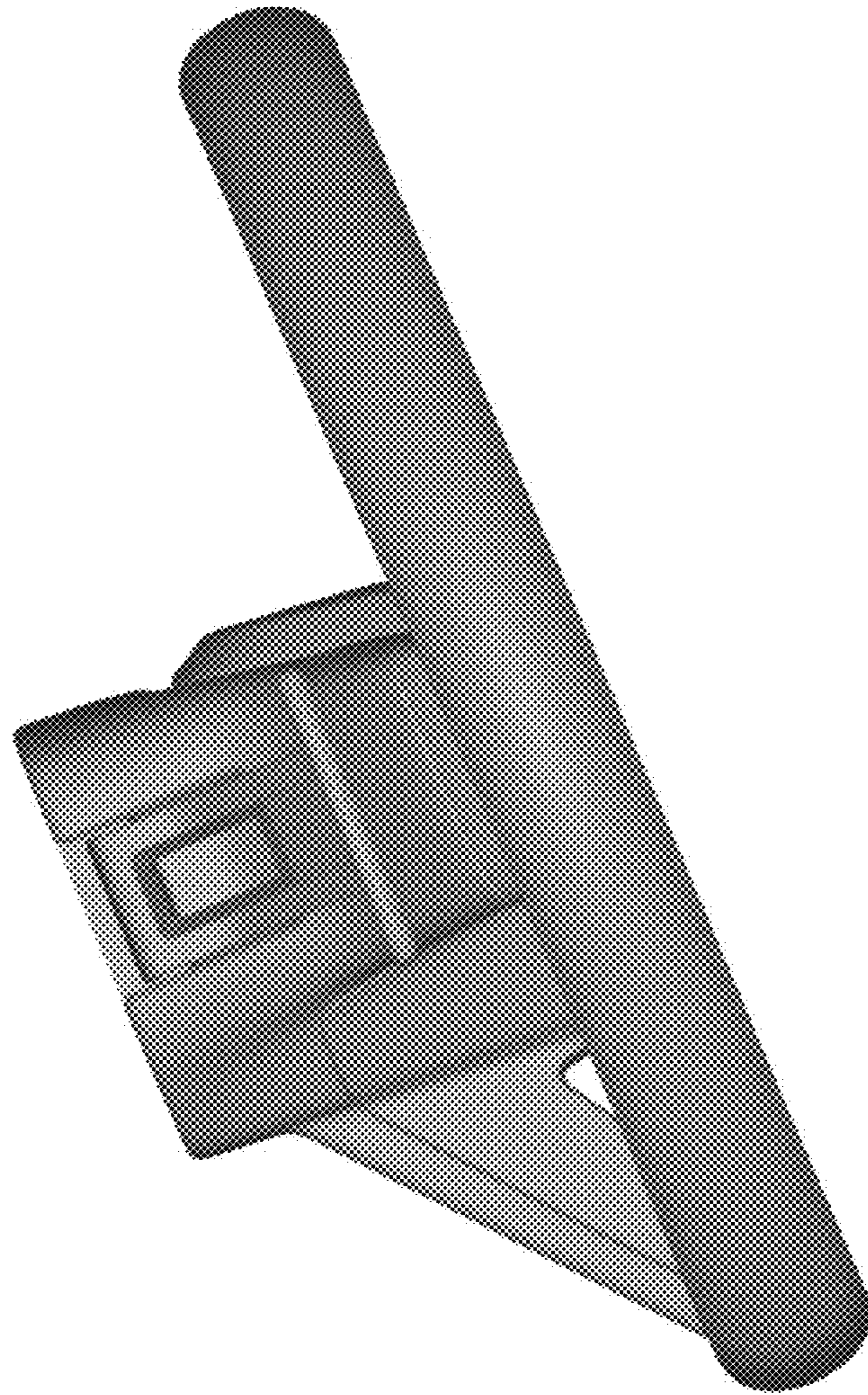


FIG. 3

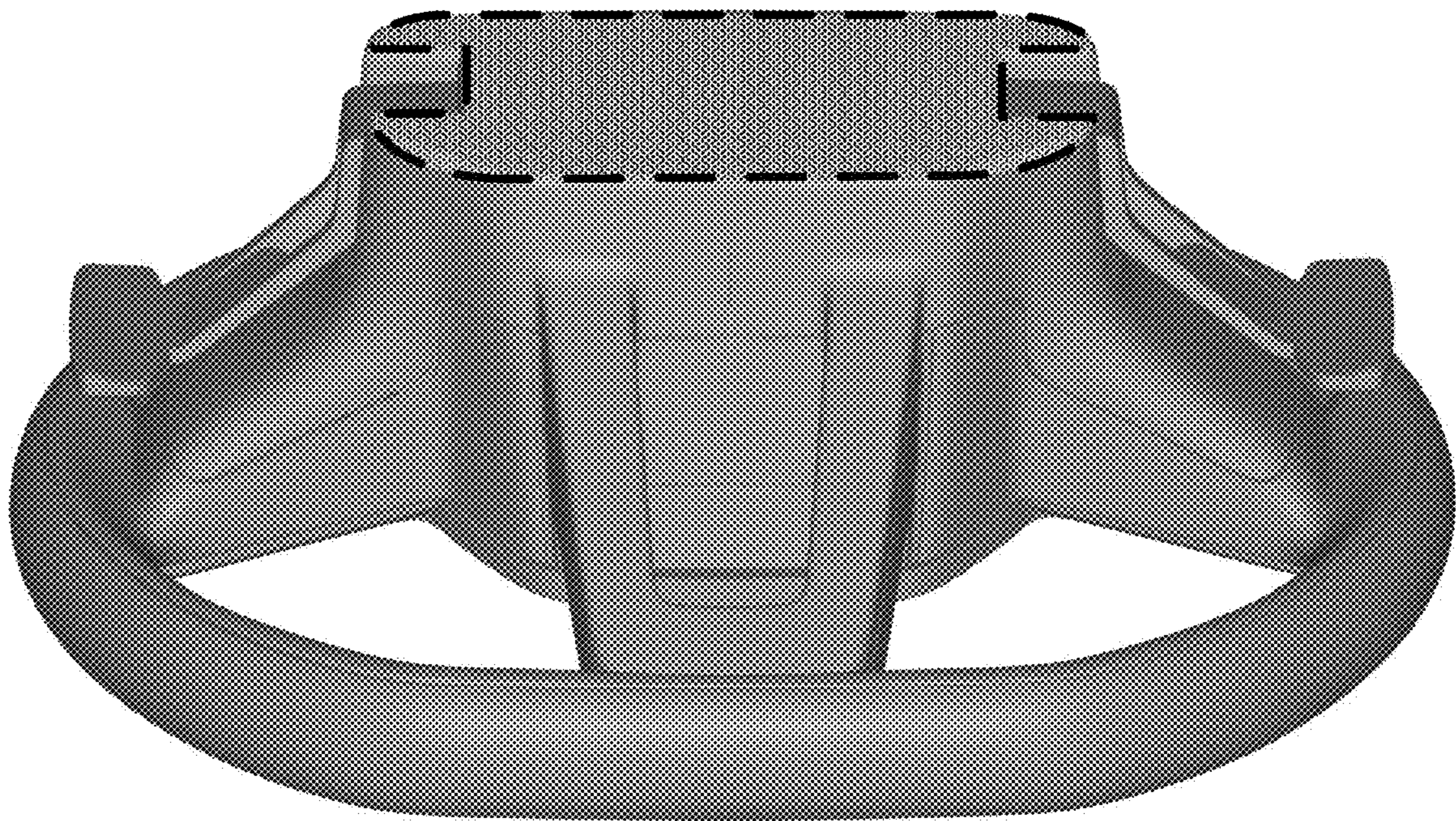


FIG. 4



FIG. 5