



US00D881089S

(12) **United States Design Patent**
Sham

(10) **Patent No.:** **US D881,089 S**

(45) **Date of Patent:** **** Apr. 14, 2020**

(54) **FRONT FACE OF A VEHICLE STEERING WHEEL**

D798,205 S * 9/2017 Kim D12/176
D801,894 S * 11/2017 Kasano D12/176
D822,559 S * 7/2018 Boyes D12/176
D853,911 S * 7/2019 Miyamoto D12/176

(71) Applicant: **Thunder Power New Energy Vehicle Development Company Limited,**
Central (HK)

* cited by examiner

(72) Inventor: **Wellen Sham,** Taipei (TW)

Primary Examiner — Melody N Brown

(**) Term: **15 Years**

(74) *Attorney, Agent, or Firm* — Kilpatrick Townsend & Stockton, LLP

(21) Appl. No.: **29/663,093**

(57) **CLAIM**

The ornamental design of a front face of a vehicle steering wheel, as shown and described.

(22) Filed: **Sep. 12, 2018**

DESCRIPTION

(51) **LOC (12) Cl.** **12-16**

(52) **U.S. Cl.**
USPC **D12/176**

(58) **Field of Classification Search**
USPC D12/175, 176; 74/552, 558, 558.5
CPC B60R 21/203; B60R 21/05; B62D 1/04
See application file for complete search history.

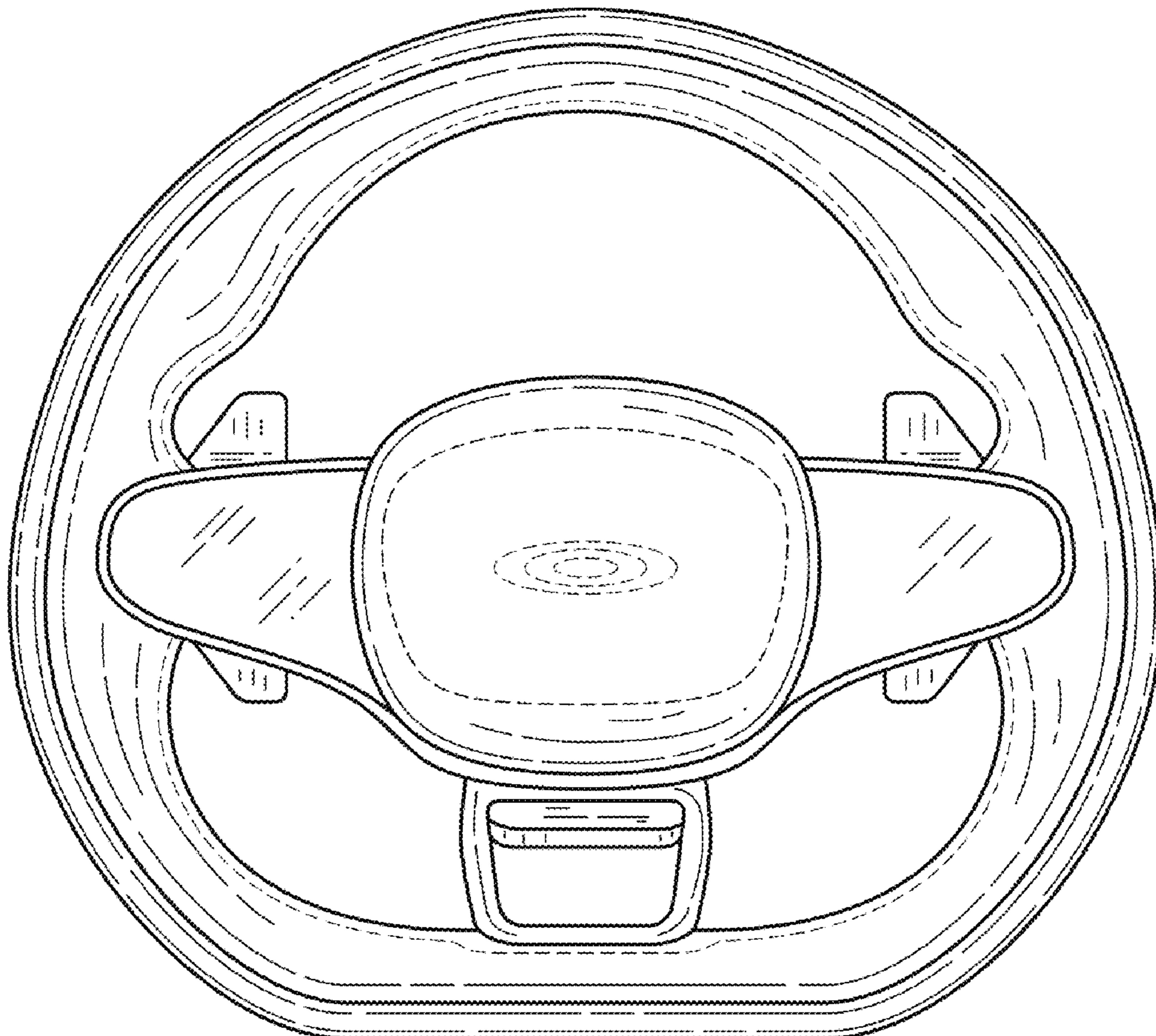
FIG. 1 is a front perspective view of a front face for a vehicle steering wheel showing my new design; FIG. 2 is a front and side perspective view thereof; and, FIG. 3 is a front and opposite side perspective view thereof. Any broken lines immediately adjacent the shaded areas represent the bounds of the claimed design while all other broken lines are directed to environment and/or are for illustrative purposes only. The broken lines form no part of the claimed design. The back of the front face of a vehicle steering wheel and/or any other portion of the front face of a vehicle steering wheel not viewable in the drawings forms no part of the claimed design.

(56) **References Cited**

U.S. PATENT DOCUMENTS

D772,124 S * 11/2016 Lee D12/176
D784,871 S * 4/2017 Lee D12/176
D787,390 S * 5/2017 Kanda D12/176

1 Claim, 3 Drawing Sheets



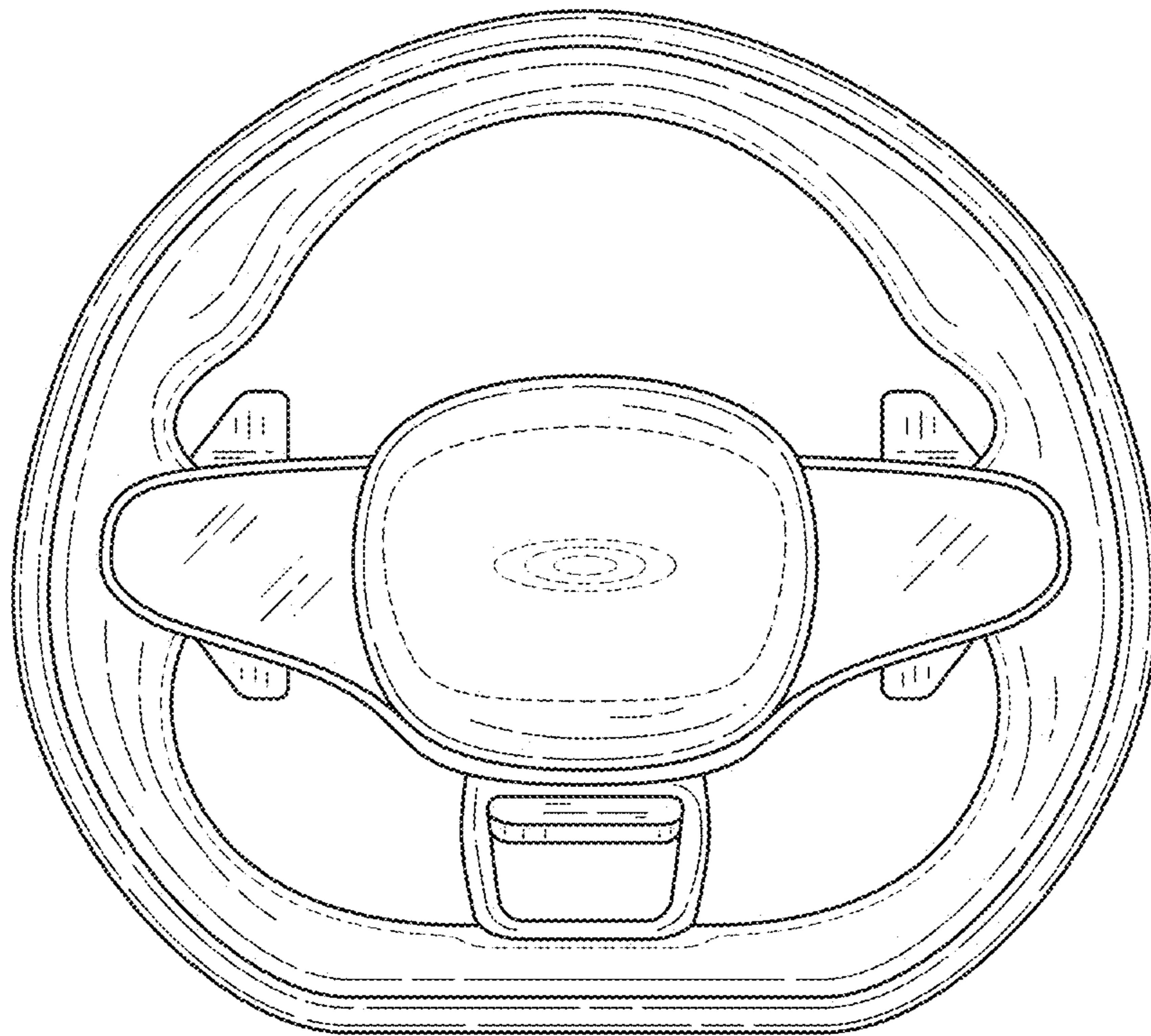


FIG. 1

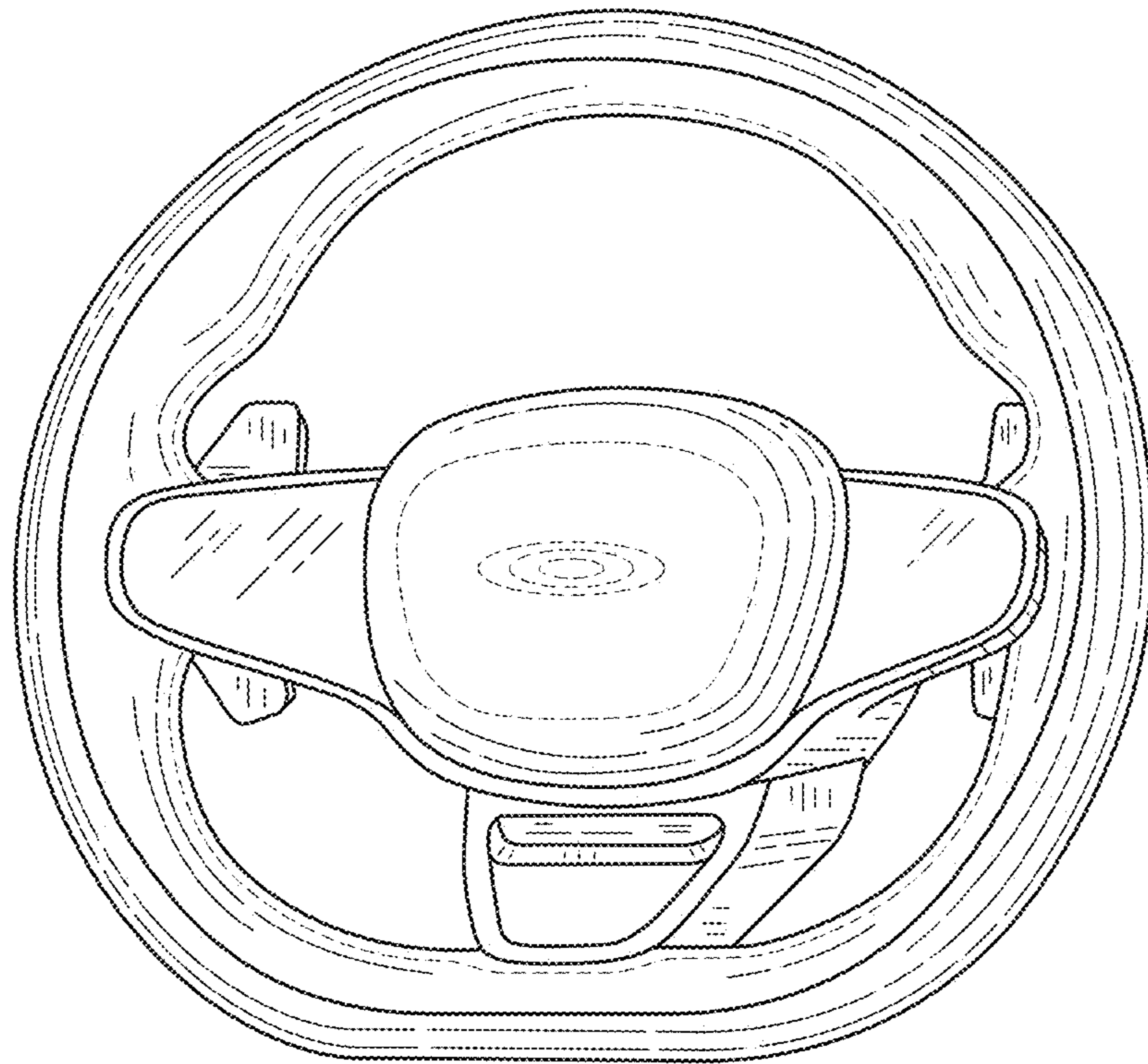


FIG.2

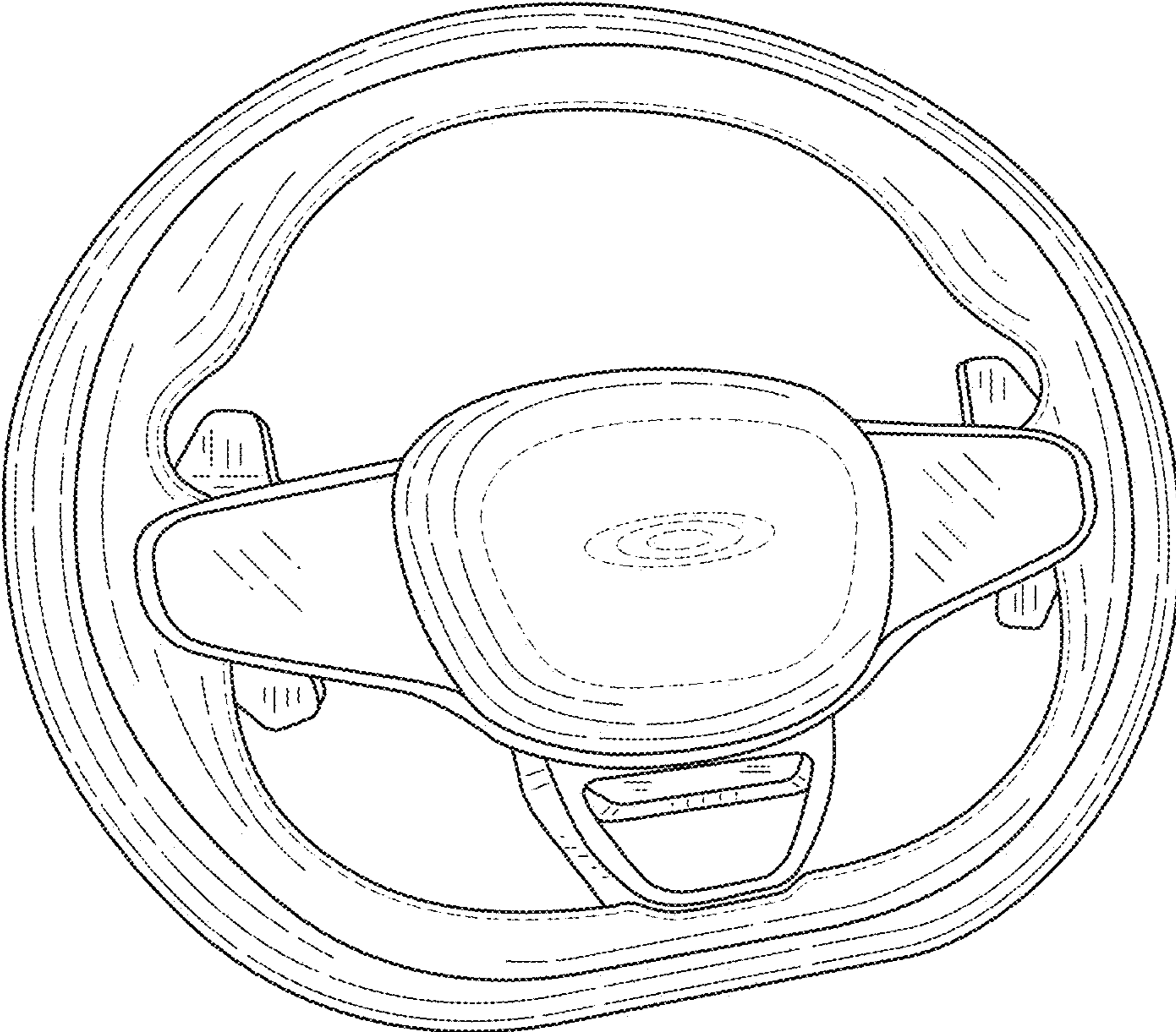


FIG.3