



US00D881087S

(12) **United States Design Patent**  
**Luke et al.**

(10) **Patent No.:** **US D881,087 S**  
(45) **Date of Patent:** **\*\* Apr. 14, 2020**

(54) **VEHICLE REAR VALANCE PANEL**  
(71) Applicant: **GM GLOBAL TECHNOLOGY OPERATIONS LLC**, Detroit, MI (US)  
(72) Inventors: **Darren T. Luke**, Warren, MI (US);  
**Young S. Kim**, Canton, MI (US)  
(73) Assignee: **GM GLOBAL TECHNOLOGY OPERATIONS LLC**, Detroit, MI (US)  
(\*\*) Term: **15 Years**  
(21) Appl. No.: **29/659,793**  
(22) Filed: **Aug. 13, 2018**  
(51) **LOC (12) Cl.** ..... **12-16**  
(52) **U.S. Cl.**  
USPC ..... **D12/169**  
(58) **Field of Classification Search**  
USPC .... D12/169, 164, 196, 171, 163, 86, 90-92;  
293/102, 113, 115, 117, 120; 296/180.1,  
296/180.2  
CPC ..... B60R 19/02; B60R 19/04; B62D 25/08  
See application file for complete search history.

D608,691 S 1/2010 Zak, Jr. et al.  
D609,608 S 2/2010 Boniface et al.  
D611,387 S 3/2010 Thompson et al.  
D611,879 S 3/2010 Kim et al.  
D612,297 S 3/2010 Peters et al.  
D613,645 S 4/2010 Song et al.  
D615,458 S 5/2010 Thompson et al.  
D618,595 S 6/2010 Ware et al.  
D623,090 S 9/2010 Cox et al.  
D627,262 S 11/2010 Ikeda et al.  
D635,488 S 4/2011 Phipps  
D644,147 S 8/2011 Suh et al.  
D644,567 S 9/2011 Kozub  
D657,718 S 4/2012 Zipfel et al.  
D659,052 S 5/2012 Ware et al.  
D659,053 S 5/2012 Ware et al.  
D668,182 S 10/2012 Barba Franco et al.  
D668,183 S 10/2012 Smart  
D677,202 S \* 3/2013 Hamilton ..... D12/169  
D678,820 S 3/2013 Son et al.  
D678,821 S 3/2013 Ikeda et al.  
D680,909 S 4/2013 Munson et al.  
D680,910 S 4/2013 David

(Continued)

Primary Examiner — Melody N Brown

(57) **CLAIM**

The ornamental design for a vehicle rear valance panel, as shown and described.

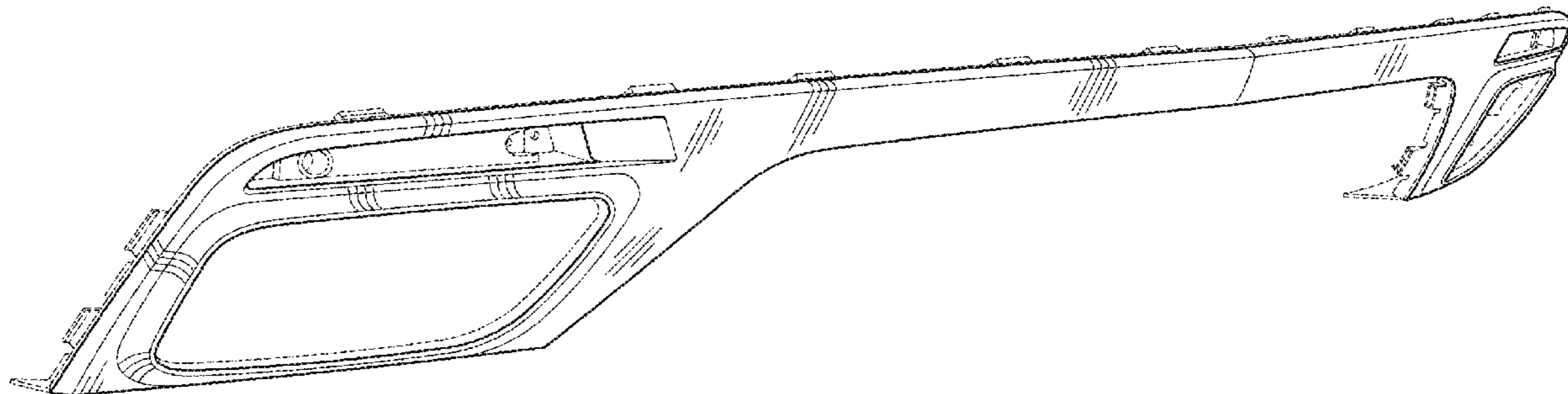
**DESCRIPTION**

FIG. 1 is a front and left side perspective view of a vehicle rear valance panel showing our new design; FIG. 2 is a front view thereof; FIG. 3 is a left side elevation view thereof, the right side being a mirror image of the left side shown; and, FIG. 4 is a bottom view thereof. The broken lines in the drawings illustrate portions of the vehicle rear valance panel that form no part of the claimed design.

**1 Claim, 2 Drawing Sheets**

(56) **References Cited**  
U.S. PATENT DOCUMENTS

D570,742 S 6/2008 Takagi et al.  
D592,105 S 5/2009 Dean et al.  
D597,447 S 8/2009 Folden  
D600,595 S 9/2009 Nakamura et al.  
D601,925 S 10/2009 O'Donnell  
D603,755 S 11/2009 Peters  
D604,203 S 11/2009 O'Donnell  
D605,082 S 12/2009 Munson  
D605,083 S 12/2009 Manoogian, II et al.  
D605,977 S 12/2009 Zipfel et al.  
D605,978 S 12/2009 Wolff et al.  
D608,249 S 1/2010 Peters  
D608,690 S 1/2010 Folden et al.



(56)

References Cited

U.S. PATENT DOCUMENTS

D684,899 S	6/2013	Baker		D753,035 S	4/2016	Boniface et al.
D686,536 S	7/2013	McCabe et al.		D753,559 S	4/2016	McMahan et al.
D688,990 S	* 9/2013	Song .....	D12/169	D753,560 S	4/2016	McMahan et al.
D692,798 S	11/2013	Thurber		D753,567 S	4/2016	Boniface et al.
D692,799 S	11/2013	Smith et al.		D754,571 S	4/2016	Boniface et al.
D696,157 S	12/2013	Loeb		D754,572 S	4/2016	McMahan et al.
D699,629 S	2/2014	Ikeda et al.		D755,088 S	5/2016	McMahan et al.
D700,871 S	3/2014	O'Donnell et al.		D756,869 S	5/2016	McMahan et al.
D703,103 S	4/2014	Lee		D758,271 S	6/2016	McMahan et al.
D704,103 S	5/2014	Mack et al.		D764,975 S	8/2016	Aengenheyster
D705,132 S	5/2014	Ware et al.		D764,976 S	8/2016	Aengenheyster
D705,699 S	5/2014	Ware et al.		D767,449 S	9/2016	Pevovar et al.
D708,995 S	* 7/2014	Chen .....	D12/169	D767,450 S	9/2016	Lee et al.
D712,322 S	* 9/2014	Kobayashi .....	D12/169	D767,451 S	9/2016	Kozub et al.
D713,298 S	9/2014	Dyson		D767,454 S	9/2016	McMahan et al.
D713,764 S	9/2014	Ferlazzo et al.		D767,458 S	9/2016	Kim
D716,696 S	11/2014	Thole et al.		D767,459 S	9/2016	Kim
D716,706 S	11/2014	Thole et al.		D767,460 S	9/2016	Kozub et al.
D716,709 S	11/2014	Thole et al.		D767,461 S	9/2016	Kozub et al.
D717,696 S	11/2014	Thole et al.		D771,528 S	11/2016	Smith et al.
D718,189 S	11/2014	Krieg et al.		D771,529 S	11/2016	Thole et al.
D718,683 S	12/2014	Thole et al.		D771,532 S	11/2016	Kapitonov
D722,282 S	2/2015	Loeb		D771,533 S	11/2016	Kapitonov
D722,533 S	2/2015	Thole et al.		D772,766 S	11/2016	Kozub et al.
D722,534 S	2/2015	Munson et al.		D772,767 S	11/2016	Kim
D724,510 S	3/2015	McMahan et al.		D773,084 S	11/2016	Kapitonov
D725,001 S	3/2015	McMahan et al.		D773,086 S	11/2016	McCabe et al.
D726,591 S	4/2015	Jacob		D774,226 S	12/2016	McCabe et al.
D730,776 S	6/2015	Smart		D775,003 S	12/2016	Pevovar et al.
D730,783 S	6/2015	Henriques et al.		D775,007 S	12/2016	Thole et al.
D732,427 S	6/2015	Loeb		D775,010 S	12/2016	Kim et al.
D732,429 S	6/2015	Loeb		D775,049 S	12/2016	Scheer et al.
D732,430 S	6/2015	Loeb		D775,549 S	1/2017	Karras
D732,431 S	6/2015	Loeb		D775,554 S	1/2017	Kapitonov
D732,432 S	6/2015	Aengenheyster		D776,020 S	1/2017	Kapitonov
D732,433 S	6/2015	Aengenheyster		D776,581 S	1/2017	Pevovar et al.
D732,435 S	6/2015	Mackay		D776,583 S	1/2017	Scheer et al.
D733,002 S	6/2015	Loeb		D776,841 S	1/2017	Kozub et al.
D735,611 S	8/2015	Aengenheyster		D776,843 S	1/2017	McCabe et al.
D735,627 S	8/2015	Smith		D776,846 S	1/2017	Willett et al.
D736,451 S	8/2015	Smith		D777,359 S	1/2017	Kozub et al.
D739,306 S	9/2015	McMahan et al.		D777,360 S	1/2017	Kozub et al.
D739,317 S	9/2015	McMahan et al.		D777,361 S	1/2017	Kozub et al.
D741,223 S	10/2015	Kim et al.		D777,604 S	1/2017	McNerney
D743,309 S	11/2015	Thole et al.		D777,605 S	1/2017	Ferlazzo et al.
D743,313 S	11/2015	Smith et al.		D777,620 S	1/2017	Pevovar et al.
D743,314 S	11/2015	Thole et al.		D777,621 S	1/2017	Kim
D743,857 S	11/2015	McMahan et al.		D777,622 S	1/2017	Kozub et al.
D744,158 S	11/2015	Willett et al.		D777,628 S	1/2017	Kozub et al.
D745,086 S	12/2015	Finos et al.		D777,955 S	1/2017	Willett et al.
D745,719 S	12/2015	Boniface et al.		D778,212 S	2/2017	Kozub et al.
D745,725 S	12/2015	McMahan et al.		D778,215 S	2/2017	Kozub et al.
D745,726 S	12/2015	McMahan et al.		D780,064 S	2/2017	Smith et al.
D745,837 S	12/2015	Smith et al.		D780,067 S	2/2017	Zipfel et al.
D746,190 S	* 12/2015	Wolff .....	D12/169	D780,068 S	2/2017	Whitla et al.
D746,726 S	1/2016	Smith et al.		D780,077 S	2/2017	Kim et al.
D746,727 S	1/2016	Smith et al.		D780,081 S	2/2017	Lee
D746,728 S	1/2016	Smith et al.		D780,084 S	2/2017	Scheer et al.
D746,729 S	1/2016	Boniface et al.		D780,631 S	3/2017	Kozub et al.
D746,730 S	1/2016	Kim et al.		D780,644 S	3/2017	Kim et al.
D747,514 S	1/2016	McMahan et al.		D781,184 S	3/2017	Thole et al.
D747,515 S	1/2016	McMahan et al.		D781,192 S	3/2017	Kozub et al.
D747,819 S	1/2016	Thole et al.		D782,379 S	3/2017	Wassell
D749,021 S	2/2016	Boniface et al.		D783,482 S	4/2017	Smith et al.
D749,026 S	2/2016	Smith et al.		D784,213 S	4/2017	Karras
D749,027 S	2/2016	McMahan et al.		D784,223 S	4/2017	Lee
D749,246 S	2/2016	Thole et al.		D784,226 S	4/2017	Cheng
D749,249 S	2/2016	Thole et al.		D784,579 S	4/2017	Cheng et al.
D749,250 S	2/2016	Thole et al.		D784,877 S	4/2017	Lee
D749,985 S	2/2016	Kozub et al.		D784,886 S	4/2017	Smith et al.
D749,997 S	2/2016	McMahan et al.		D785,521 S	5/2017	Smith et al.
D750,001 S	2/2016	Thole et al.		D786,149 S	5/2017	Pevovar et al.
D753,032 S	4/2016	Smith et al.		D786,743 S	5/2017	Smith et al.
D753,033 S	4/2016	Thole et al.		D786,750 S	5/2017	Lee
D753,034 S	4/2016	Thole et al.		D787,446 S	5/2017	Cockerill
				D787,984 S	5/2017	Fang
				D787,988 S	5/2017	Lee
				D787,989 S	5/2017	Kozub et al.
				D787,990 S	5/2017	Kozub et al.

(56)

References Cited

U.S. PATENT DOCUMENTS

D787,992 S	5/2017	Lee	D804,370 S	12/2017	Kozub et al.
D787,993 S	5/2017	McCabe et al.	D804,371 S	12/2017	Whitla et al.
D788,001 S	5/2017	Lee	D804,372 S	12/2017	Kozub
D788,641 S	6/2017	Arnold	D804,378 S	12/2017	Perkins
D788,644 S	6/2017	Mueller	D804,379 S	12/2017	McMahan
D788,645 S	6/2017	Mueller	D805,006 S	12/2017	Nakamura
D789,250 S	6/2017	Arnold	D805,013 S	12/2017	Whitla
D789,260 S	6/2017	Smith	D805,014 S	12/2017	Zipfel
D789,575 S	6/2017	Willett	D805,441 S	12/2017	Karras
D789,841 S	6/2017	Lee	D805,964 S	12/2017	Whitla
D789,849 S	6/2017	Lee	D805,965 S	12/2017	Davis
D791,018 S	7/2017	Mylenek	D805,966 S	12/2017	Perkins
D791,644 S	7/2017	Fang	D805,985 S	12/2017	Nakamura
D792,290 S	7/2017	Smith et al.	D807,232 S	1/2018	Bailie
D792,293 S	7/2017	McCabe et al.	D807,239 S	1/2018	Perkins
D792,294 S	7/2017	McCabe et al.	D807,240 S	1/2018	Perkins
D792,295 S	7/2017	McCabe et al.	D807,241 S	1/2018	Perkins
D792,815 S	7/2017	Kozub	D809,442 S	2/2018	Zipfel et al.
D792,816 S	7/2017	Kozub	D811,269 S	2/2018	Thompson et al.
D793,290 S	8/2017	Kozub	D811,942 S	3/2018	Jacob
D793,292 S	8/2017	Lee	D811,957 S	3/2018	Whitla et al.
D793,293 S	8/2017	Lee et al.	D811,958 S	3/2018	Zipfel et al.
D793,294 S	8/2017	Lee	D811,959 S	3/2018	Perkins
D793,295 S	8/2017	McCabe et al.	D811,960 S	3/2018	Nakamura
D793,296 S	8/2017	Smith et al.	D811,961 S	3/2018	Sullivan
D793,297 S	8/2017	Smith et al.	D811,962 S	3/2018	Sullivan
D793,299 S	8/2017	Kreig et al.	D811,963 S	3/2018	Sullivan
D793,300 S	8/2017	Kreig et al.	D811,964 S	3/2018	Perkins
D793,301 S	8/2017	Kozub	D811,965 S	3/2018	Moffett et al.
D793,302 S	8/2017	Kozub	D812,525 S	3/2018	Lee
D793,311 S	8/2017	Whitla et al.	D812,526 S	3/2018	Zipfel et al.
D793,590 S	8/2017	Kozub et al.	D812,527 S	3/2018	Perkins
D793,591 S	8/2017	Kozub et al.	D812,528 S	3/2018	Nakamura
D793,917 S	8/2017	Kozub	D813,098 S	3/2018	Thompson et al.
D793,918 S	8/2017	Kozub	D813,109 S	3/2018	Zipfel et al.
D794,229 S	8/2017	Barry	D813,110 S	3/2018	Whitla et al.
D794,230 S	8/2017	Kozub	D813,111 S	3/2018	Sullivan
D795,747 S	8/2017	Bailie	D813,116 S	3/2018	Park
D795,757 S	8/2017	Pevovar et al.	D813,117 S	3/2018	Sullivan
D795,758 S	8/2017	Karras	D813,121 S	3/2018	Swanseger
D795,759 S	8/2017	Kozub et al.	D813,730 S	3/2018	Zipfel et al.
D795,760 S	8/2017	Kozub et al.	D813,731 S	3/2018	McMahan
D795,762 S	8/2017	Lee	D813,732 S	3/2018	Whitla et al.
D795,763 S	8/2017	Kozub	D813,733 S	3/2018	Lee
D796,088 S	8/2017	McCabe et al.	D813,734 S	3/2018	Nakamura
D796,093 S	8/2017	Mainville	D813,740 S	3/2018	Park
D796,390 S	9/2017	Pevovar et al.	D813,741 S	3/2018	Perkins
D796,398 S	* 9/2017	Badstuebner ..... D12/169	D813,742 S	3/2018	McMahan et al.
D797,537 S	9/2017	Cooper et al.	D813,743 S	3/2018	Lee
D797,603 S	9/2017	Noone et al.	D813,744 S	3/2018	Whitla et al.
D797,614 S	9/2017	Lee	D813,748 S	3/2018	Kim
D797,616 S	9/2017	Lee	D813,753 S	3/2018	Loeb
D797,624 S	9/2017	Nakamura	D813,754 S	3/2018	Loeb
D797,625 S	9/2017	Perkins	D813,755 S	3/2018	Loeb
D797,631 S	9/2017	Pevovar et al.	D813,756 S	3/2018	Loeb
D797,632 S	9/2017	Zipfel et al.	D813,757 S	3/2018	Kozub
D797,967 S	9/2017	Barry	D813,758 S	3/2018	Gonzales
D797,970 S	9/2017	Mainville	D813,759 S	3/2018	Perkins
D797,971 S	9/2017	Mainville	D814,369 S	4/2018	Loeb
D797,972 S	9/2017	Whitla et al.	D814,982 S	4/2018	Whitla et al.
D798,204 S	9/2017	Mainville	D814,983 S	4/2018	Whitla et al.
D799,384 S	10/2017	Kozub et al.	D814,987 S	* 4/2018	Murakami ..... D12/169
D799,385 S	10/2017	Kozub et al.	D815,570 S	4/2018	McMahan et al.
D799,386 S	10/2017	Kozub et al.	D815,572 S	4/2018	Perkins
D799,728 S	10/2017	Whitla et al.	D815,573 S	4/2018	Whitla et al.
D801,236 S	10/2017	Kozub et al.	D815,574 S	4/2018	Mainville
D801,577 S	10/2017	Ruiz	D815,993 S	4/2018	Kozub et al.
D801,882 S	11/2017	Kozub et al.	D815,994 S	4/2018	Nakamura
D802,205 S	11/2017	Ruiz	D816,003 S	4/2018	Perkins
D802,478 S	11/2017	Perkins	D816,558 S	5/2018	McMahan et al.
D802,491 S	11/2017	Mainville	D816,559 S	5/2018	McMahan et al.
D802,496 S	11/2017	Mainville	D816,561 S	5/2018	McMahan
D802,502 S	11/2017	McMahan	D816,562 S	5/2018	Whitla et al.
D803,727 S	11/2017	Noone et al.	D816,563 S	5/2018	McMahan et al.
D803,731 S	11/2017	Zipfel	D816,564 S	5/2018	Kim
			D816,565 S	5/2018	Kim
			D816,566 S	5/2018	Loeb
			D817,836 S	5/2018	McMahan et al.
			D818,156 S	5/2018	Kim et al.

(56)

**References Cited**

U.S. PATENT DOCUMENTS

D818,157 S	5/2018	Zipfel et al.	
D818,158 S	5/2018	Zipfel et al.	
D818,159 S	5/2018	Zipfel et al.	
D818,160 S	5/2018	Perkins	
D818,406 S	5/2018	McMahan et al.	
D818,876 S	5/2018	Whitla et al.	
D818,877 S	5/2018	Nakamura et al.	
D818,878 S	5/2018	McMahan et al.	
D818,892 S	5/2018	Lee	
D818,893 S	5/2018	Kim	
D818,903 S	5/2018	Zipfel et al.	
D818,906 S	5/2018	McMahan	
D818,907 S	5/2018	Whitla et al.	
D818,915 S	5/2018	Kozub et al.	
D818,922 S	5/2018	Whitla et al.	
D819,505 S	6/2018	McMahan et al.	
D819,519 S	6/2018	Whitla et al.	
D821,617 S	6/2018	Perkins	
D822,550 S	7/2018	Wassell et al.	
D822,551 S	7/2018	McMahan et al.	
D823,188 S	7/2018	Loeb	
D823,738 S	7/2018	Kim	
D823,741 S	7/2018	Kim	
D823,762 S	7/2018	Loeb	
D823,763 S	7/2018	Koo et al.	
D832,158 S *	10/2018	Han .....	D12/169
D847,046 S *	4/2019	Whitla .....	D12/169
D859,238 S *	9/2019	Smith .....	D12/169

\* cited by examiner

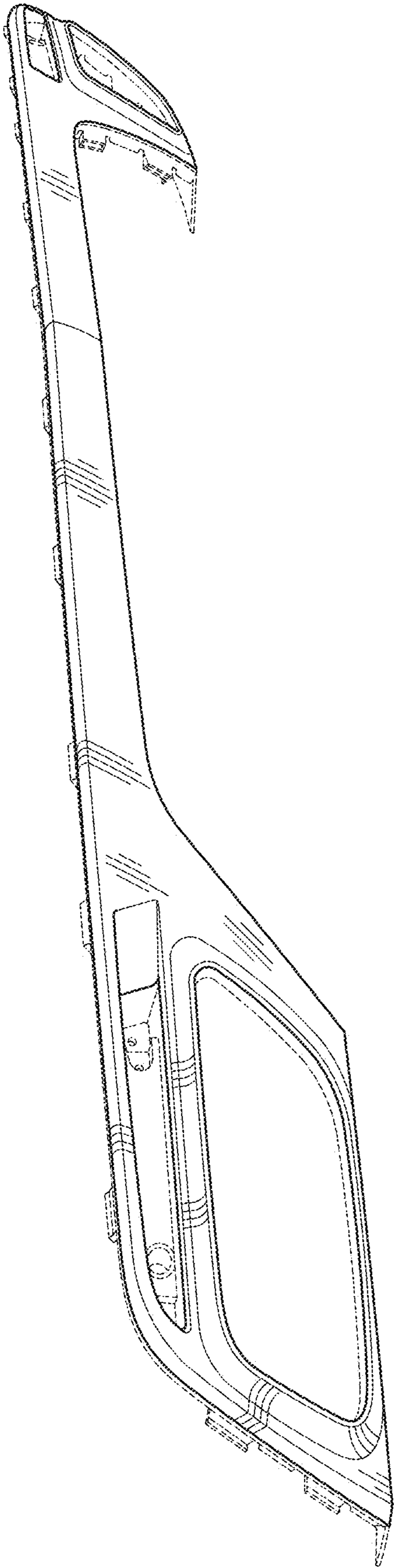


FIG. 1

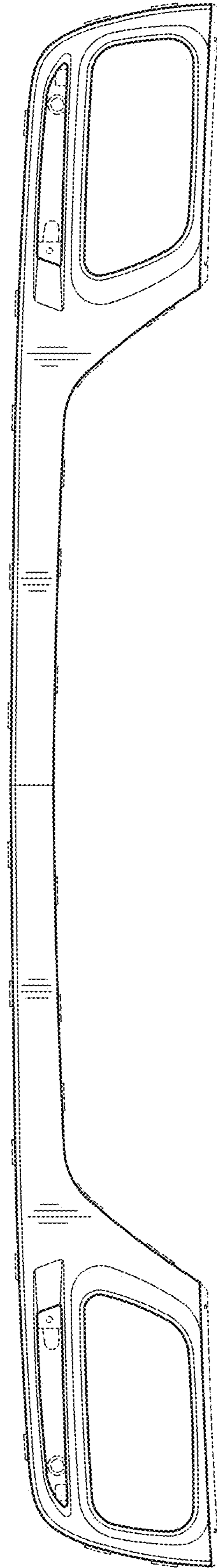


FIG. 2

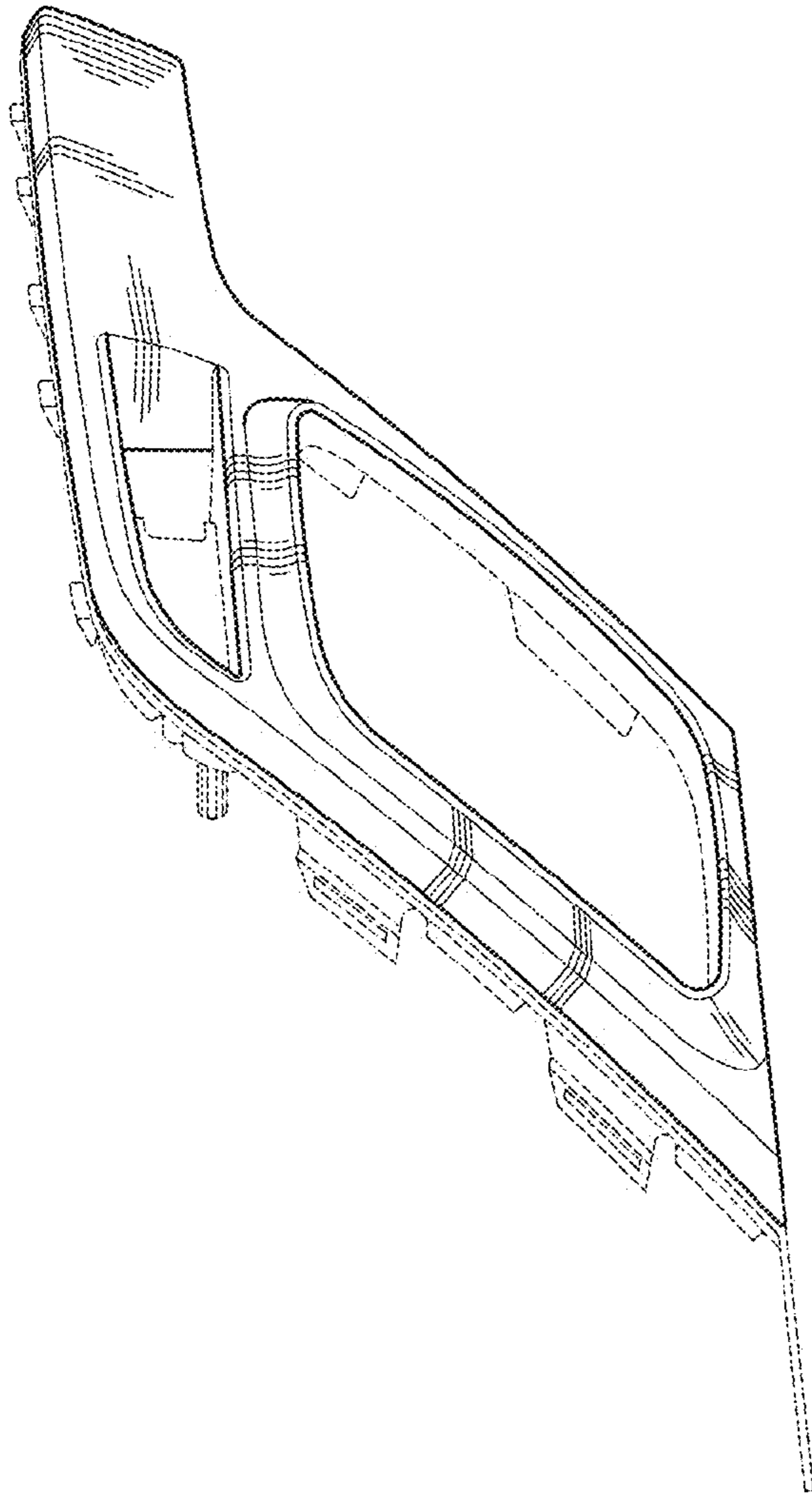


FIG. 3

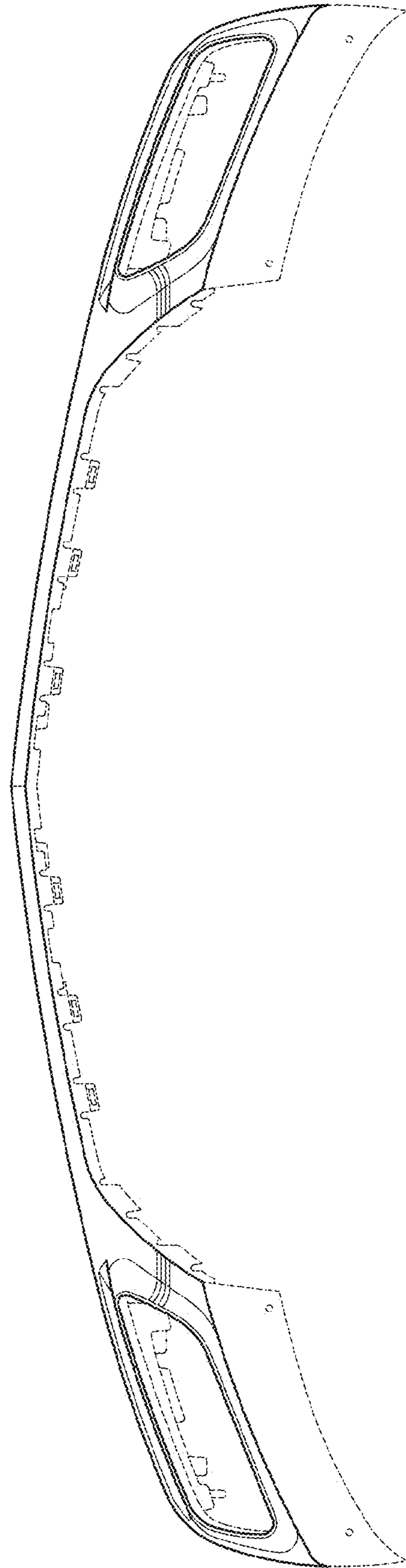


FIG. 4