



US00D881078S

(12) **United States Design Patent**
Rebick

(10) **Patent No.:** **US D881,078 S**

(45) **Date of Patent:** **** Apr. 14, 2020**

(54) **HITCH MOUNT ASSEMBLY**

(71) Applicant: **Michael S Rebick**, Little Rock, AR
(US)

(72) Inventor: **Michael S Rebick**, Little Rock, AR
(US)

(**) Term: **15 Years**

(21) Appl. No.: **29/708,107**

(22) Filed: **Oct. 3, 2019**

(51) **LOC (12) Cl.** **12-16**

(52) **U.S. Cl.**
USPC **D12/162**

(58) **Field of Classification Search**
USPC D12/159-162
CPC . B60D 1/60; B60D 1/065; B60D 1/00; B60D
1/06; B60D 1/36
See application file for complete search history.

(56) **References Cited**

U.S. PATENT DOCUMENTS

5,458,305	A	10/1995	Woodward	
6,474,522	B1	11/2002	Johnson	
6,769,704	B2	8/2004	Cipolla	
7,114,736	B2	10/2006	Stodala et al.	
7,185,904	B1	3/2007	Jones et al.	
7,338,064	B1	3/2008	Williams	
8,322,739	B1	12/2012	Fair et al.	
8,727,364	B2	5/2014	Masanek et al.	
D847,698	S *	5/2019	Moore	D12/162
D851,545	S *	6/2019	McCuskey	D12/162
D851,546	S *	6/2019	McCuskey	D12/162
D854,970	S *	7/2019	McCuskey	D12/162
D855,501	S *	8/2019	Guthard	D12/162
D856,199	S *	8/2019	Siegel	D12/162
D857,265	S *	8/2019	Han	D26/28
D857,563	S *	8/2019	Siegel	D12/162
D863,124	S *	10/2019	Siegel	D12/162
D864,800	S *	10/2019	Borkholder	D12/162
D869,997	S *	12/2019	Borkholder	D12/162
2006/0214391	A1	9/2006	Columbia	

2007/0252360	A1	11/2007	Wooten
2008/0011698	A1	1/2008	Simon
2008/0168929	A1	7/2008	Thompson
2016/0288726	A1	10/2016	Endrasik

OTHER PUBLICATIONS

RV.net Open Roads Forum; <https://www.rv.net/forum/index.cfm/fuseaction/thread/tid/27708080.cfm> ;last visited May 30, 2019.
Amazon.com Quick Products QPRBAB Deluxe RV Bumper Receiver; <https://www.amazon.com/Quick-Products-QPRBAB-Adapter-Mounting/dp/B013U6NGGK%3FSubscriptionId%3DAKIAI2QLKINDTX3PNBTQ%26tag%E2%80%A6> ; last visited May 30, 2019.

* cited by examiner

Primary Examiner — Katrina A Betton

(74) *Attorney, Agent, or Firm* — Rashauna Norment

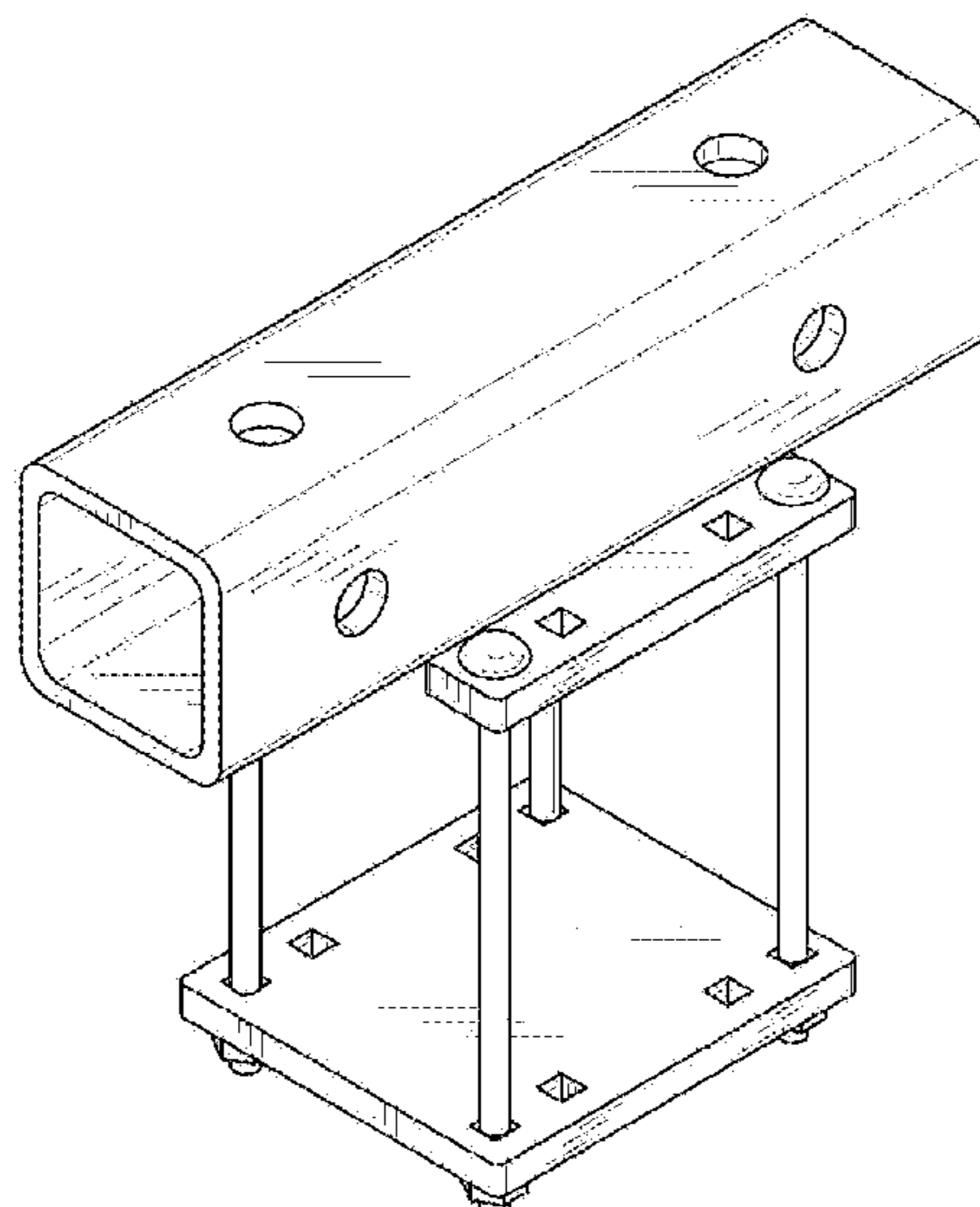
(57) **CLAIM**

The ornamental design for a hitch mount assembly, as shown and described.

DESCRIPTION

FIG. 1 is a perspective view of an exploded view of a hitch mount assembly, showing my new design, including a mounting bracket having a base tube, two mounting plates, and a plurality of fasteners;
FIG. 2 is another perspective view of FIG. 1 thereof;
FIG. 3 is a top plan view of FIG. 1 thereof;
FIG. 4 is a bottom plan view of FIG. 1 thereof;
FIG. 5 is a front elevation view of FIG. 1 thereof;
FIG. 6 is a rear elevation view of FIG. 1 thereof;
FIG. 7 is a left side elevation view of FIG. 1 thereof;
FIG. 8 is a right side elevation view of FIG. 1 thereof; and,
FIG. 9 is another perspective view of FIG. 1 thereof, showing the mounting bracket in use,
The broken lines shown in FIG. 9 represent unclaimed subject matter and form no part of the claimed design.

1 Claim, 4 Drawing Sheets



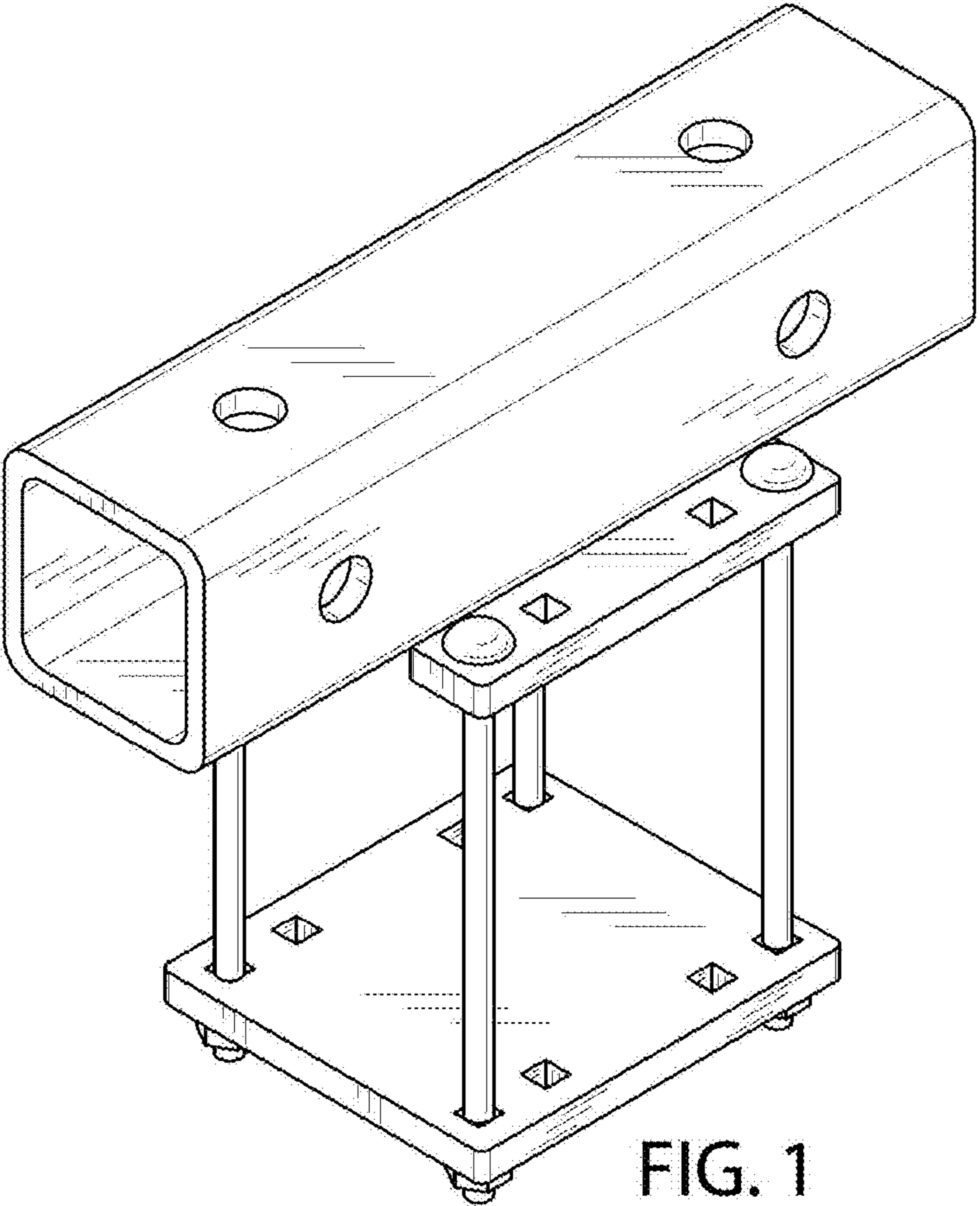


FIG. 1

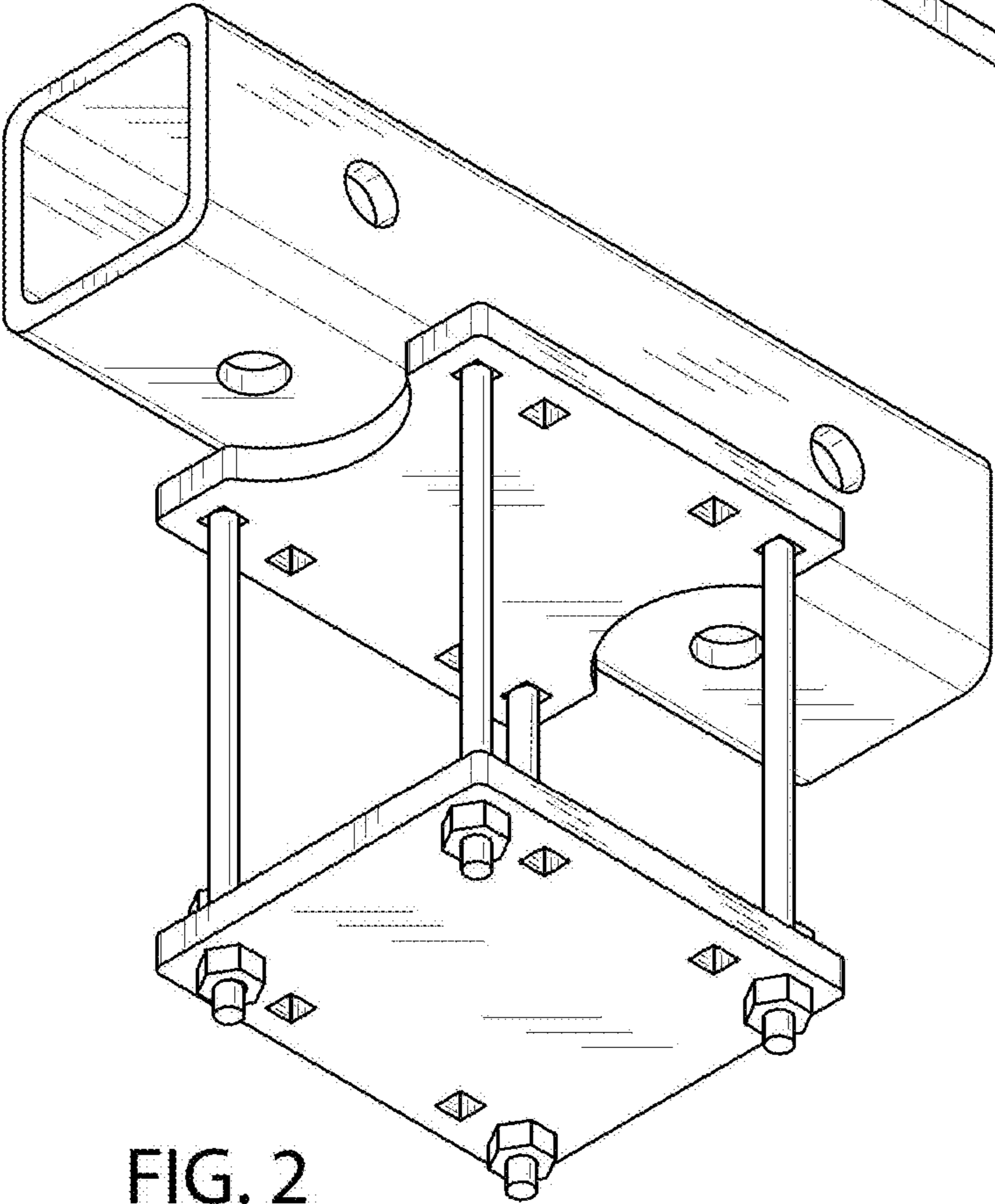


FIG. 2

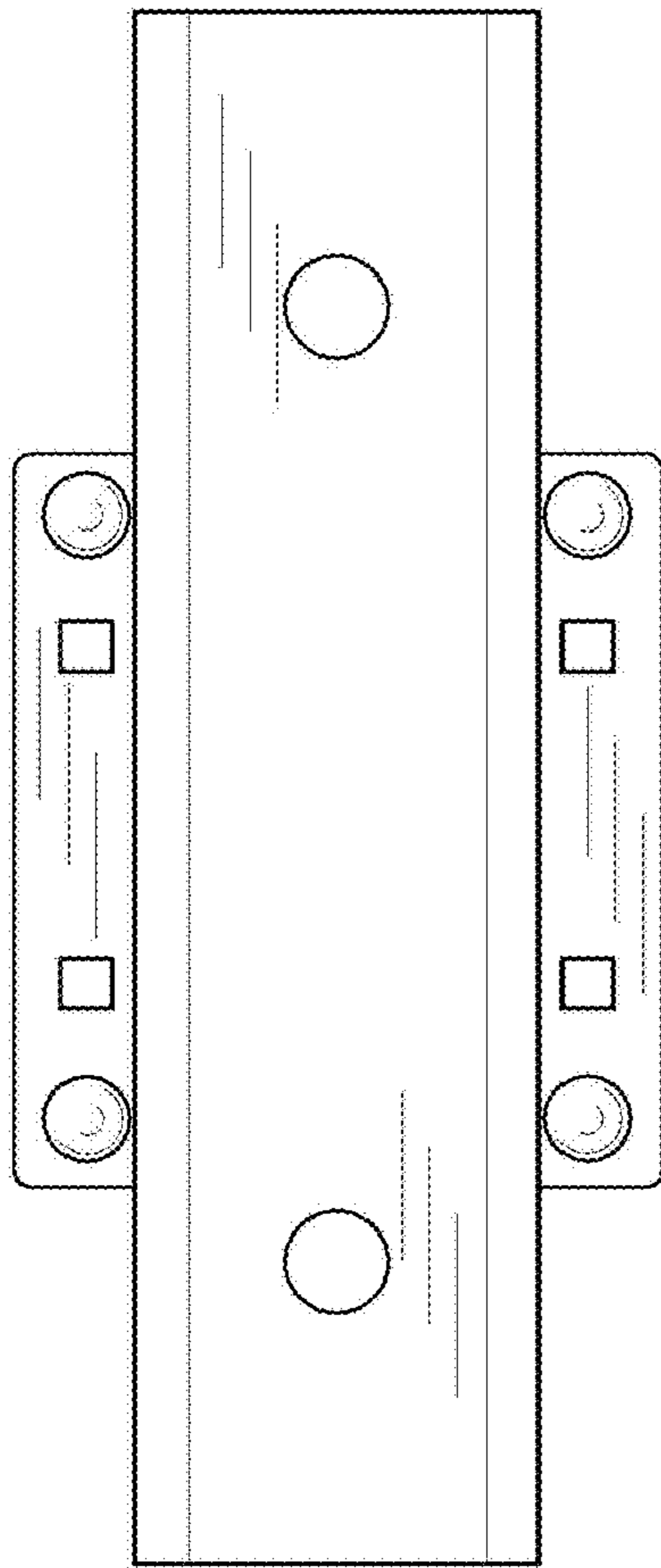


FIG. 3

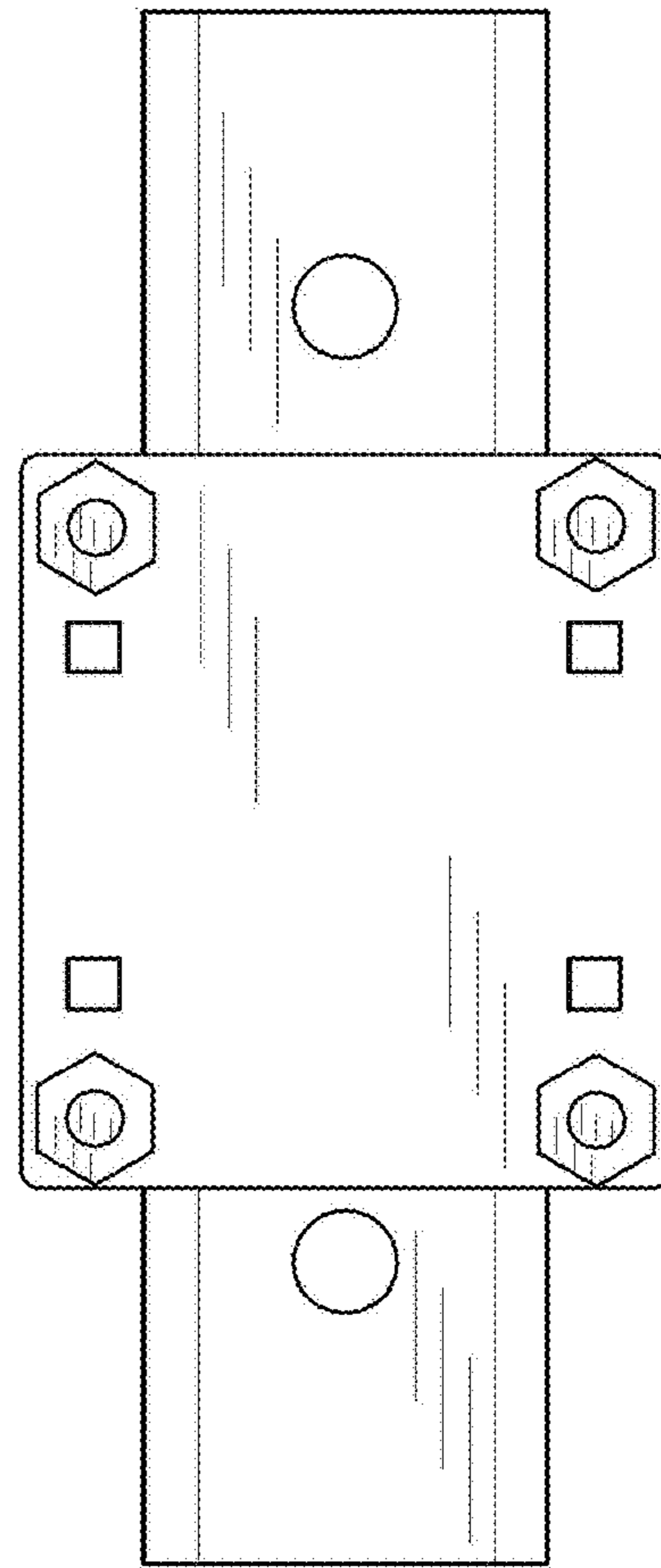


FIG. 4

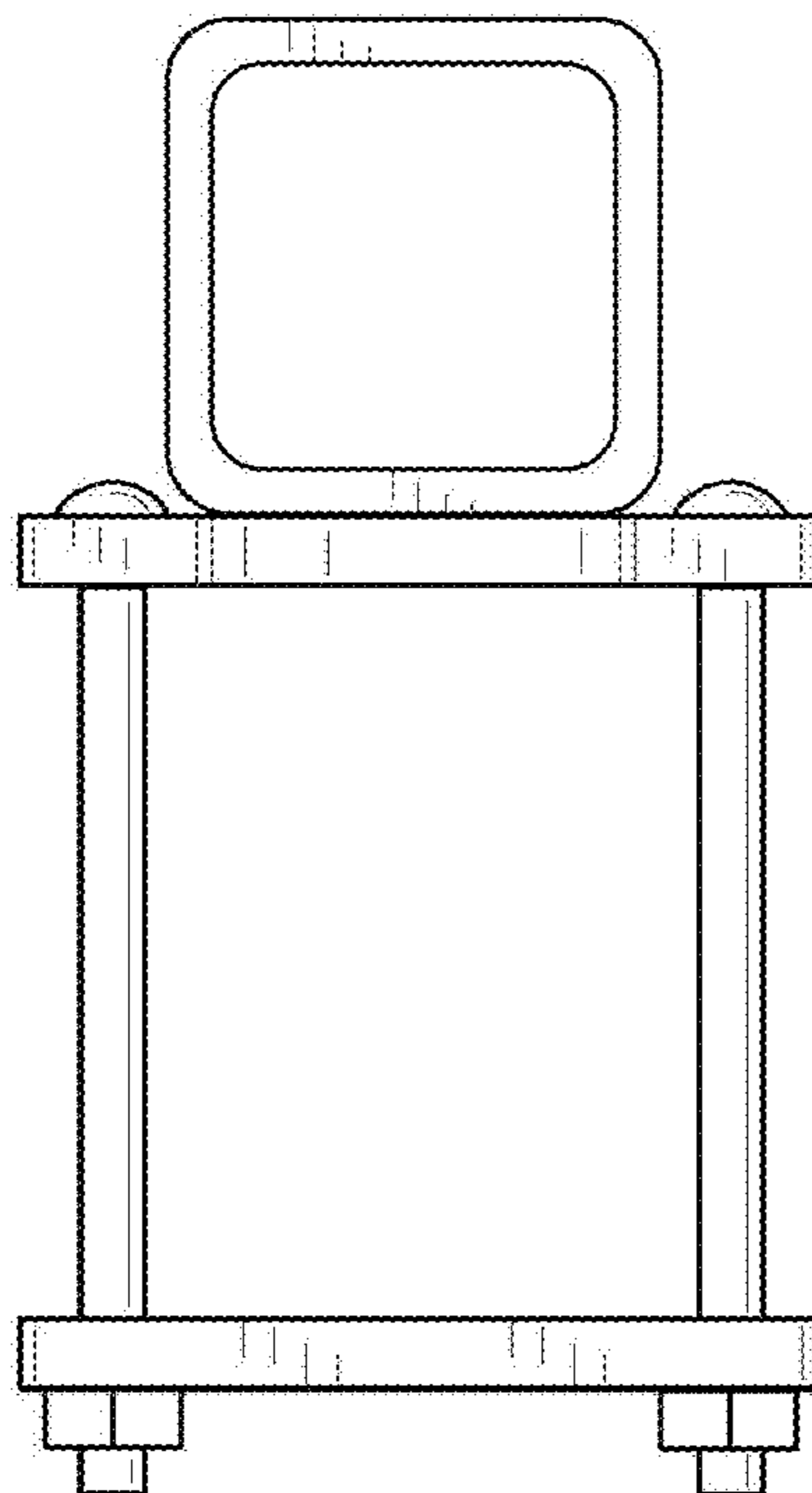


FIG. 5

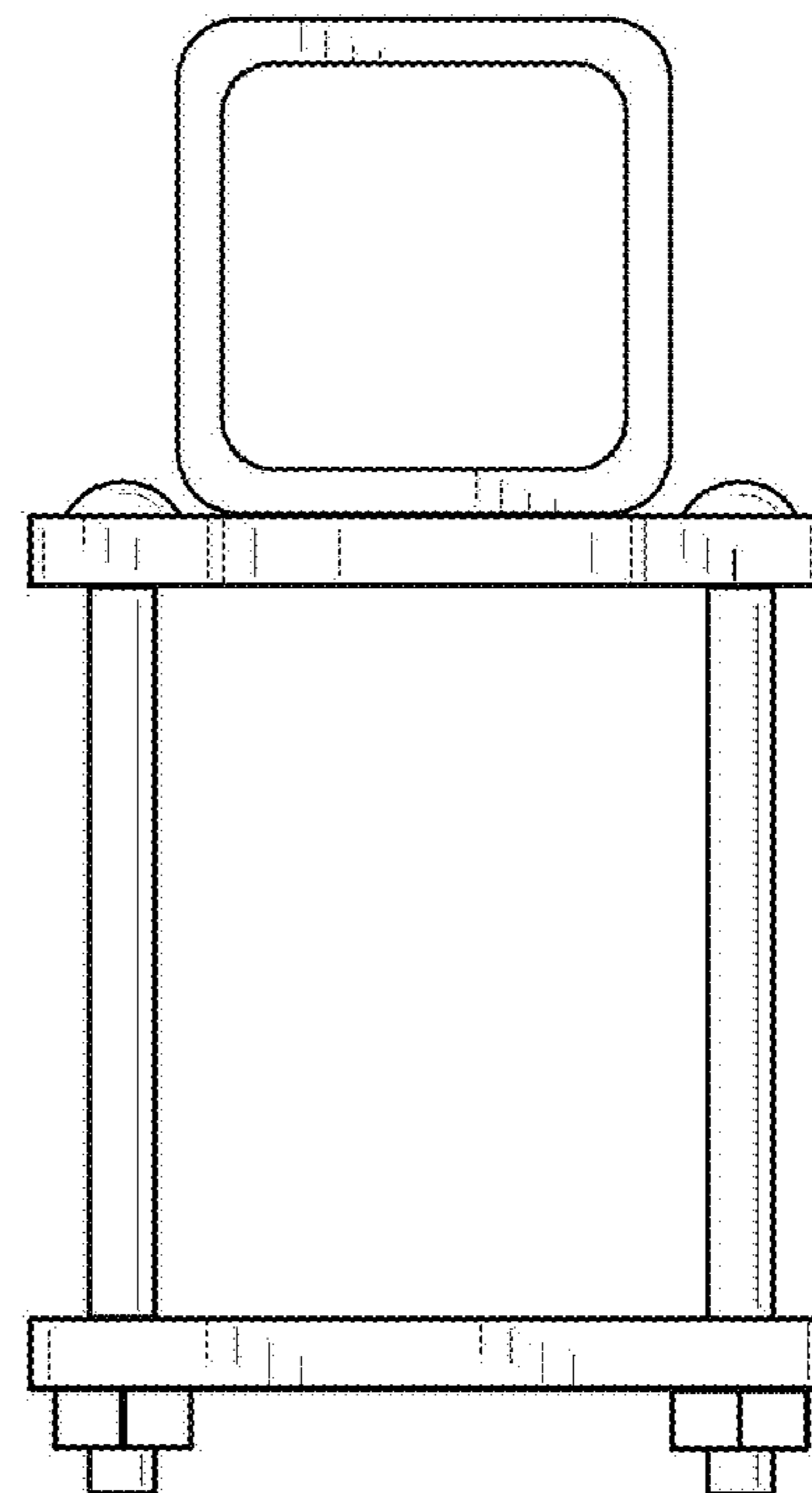


FIG. 6

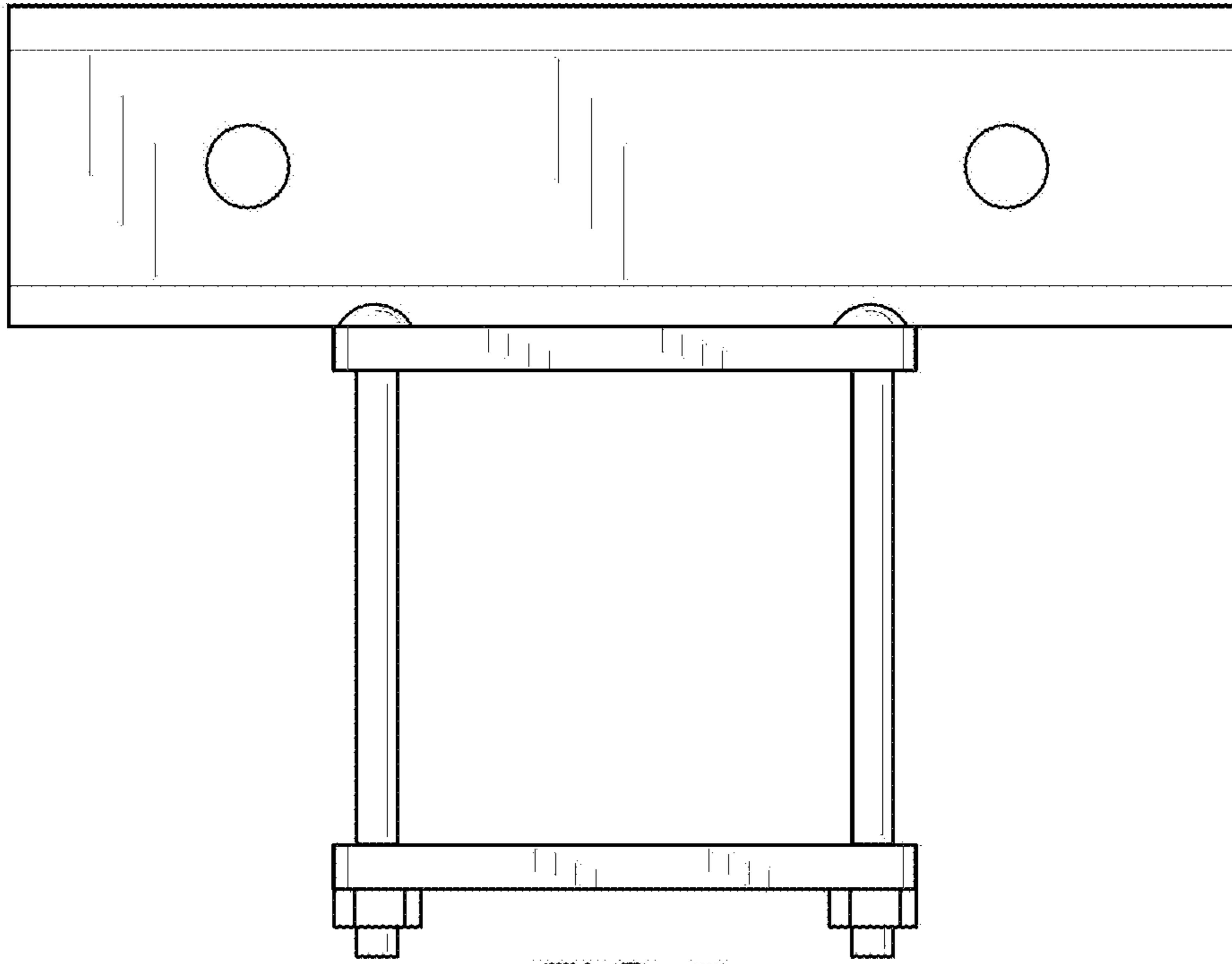


FIG. 7

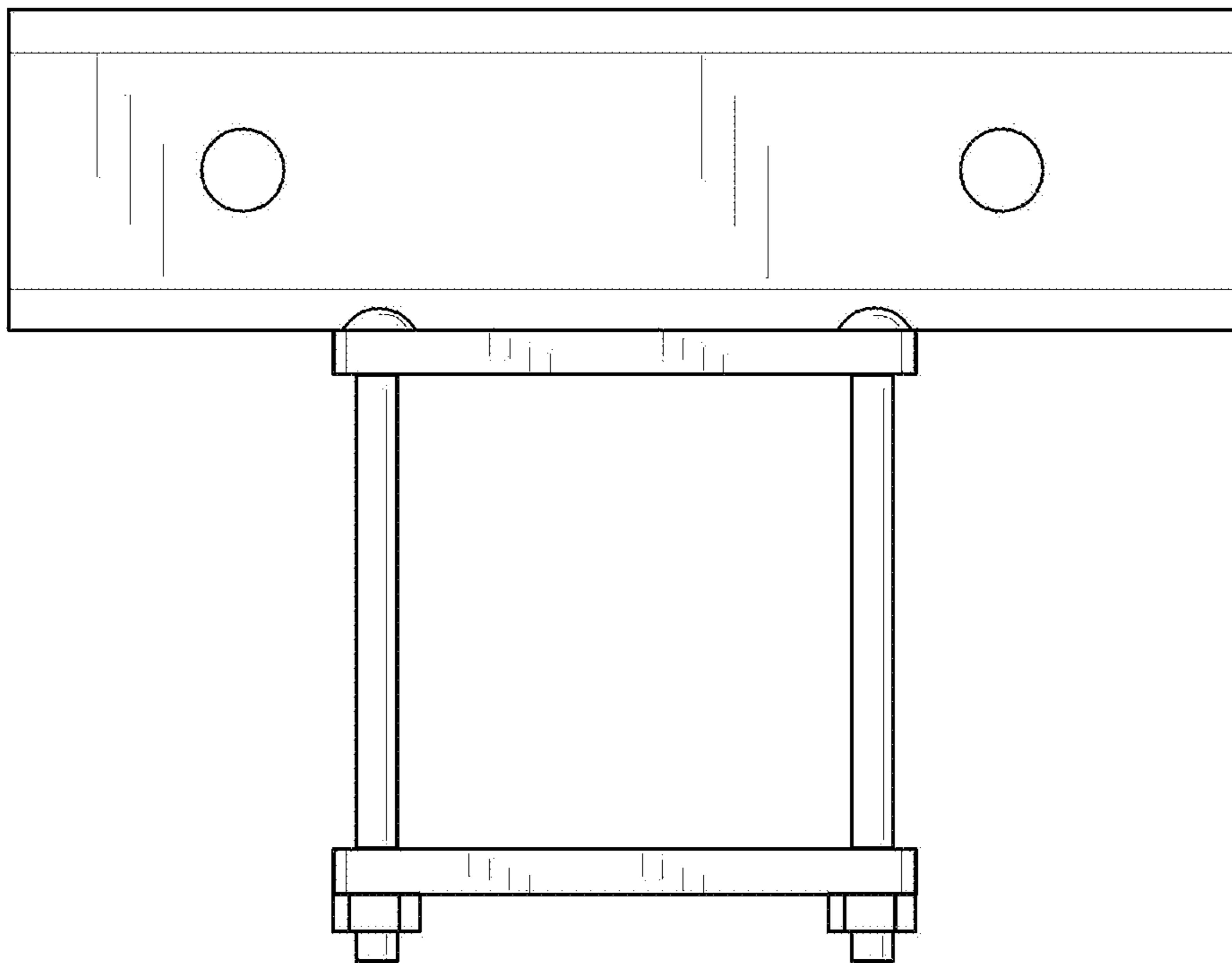


FIG. 8

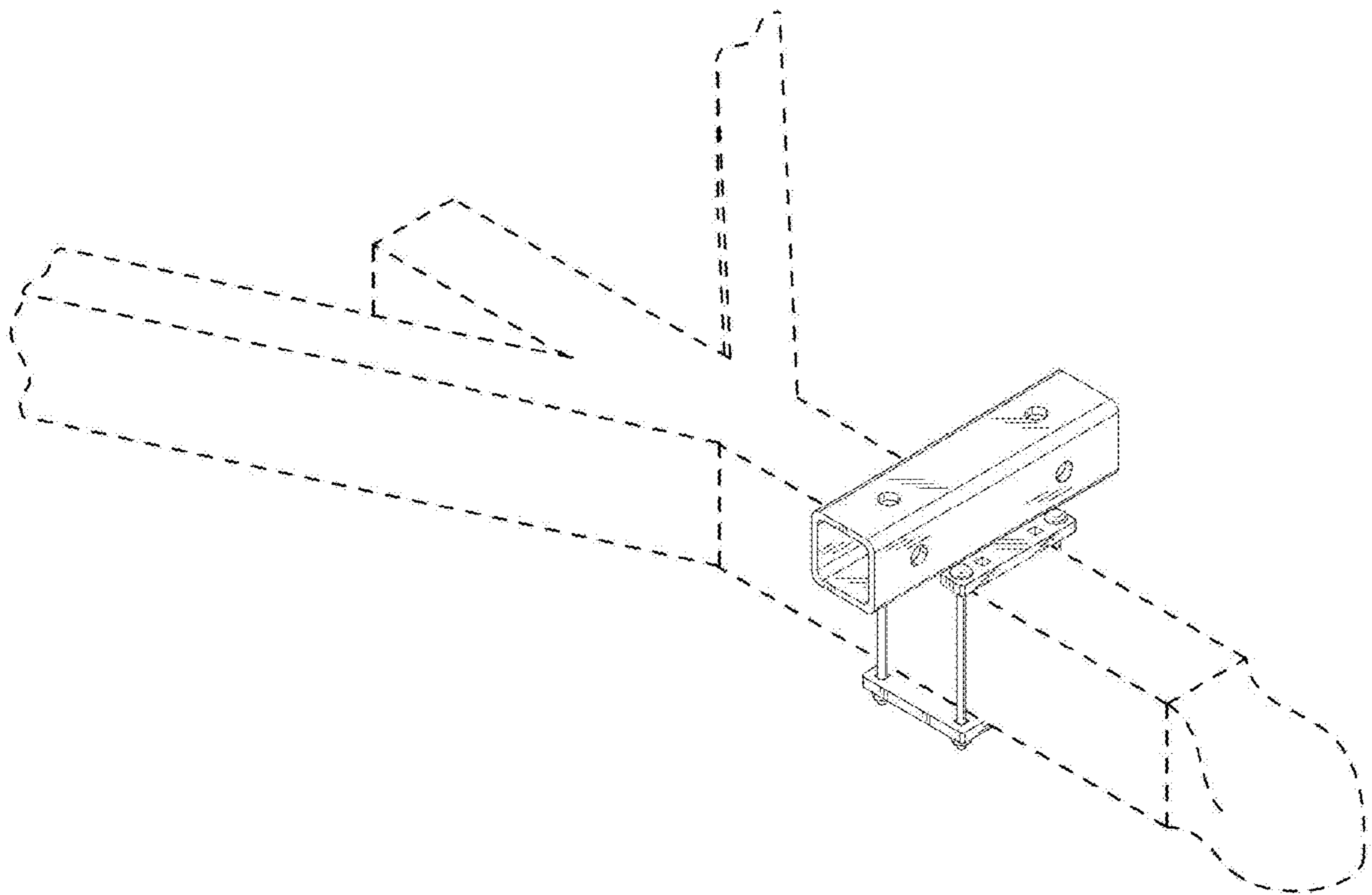


FIG. 9