



US00D881077S

(12) **United States Design Patent** (10) **Patent No.:** **US D881,077 S**  
**Son et al.** (45) **Date of Patent:** **\*\* Apr. 14, 2020**

(54) **CART FOR WEARABLE WALKING AID APPARATUS**

FOREIGN PATENT DOCUMENTS

(71) Applicant: **LG ELECTRONICS INC.**, Seoul (KR)

JP D1634799 \* 11/2018  
JP D1634800 \* 11/2018

(72) Inventors: **Jungkyu Son**, Seoul (KR); **Kyutae Park**, Seoul (KR); **Bohyun Nam**, Seoul (KR); **Seonil Yu**, Seoul (KR); **Wonjun Lee**, Seoul (KR)

*Primary Examiner* — George D. Kirschbaum  
*Assistant Examiner* — Joseph J Kukella  
(74) *Attorney, Agent, or Firm* — Birch, Stewart, Kolasch & Birch, LLP

(73) Assignee: **LG ELECTRONICS INC.**, Seoul (KR)

(57) **CLAIM**

The ornamental design for a cart for wearable walking aid apparatus, as shown and described.

(\*\*) Term: **15 Years**

**DESCRIPTION**

(21) Appl. No.: **35/506,611**

(22) Filed: **Jul. 25, 2018**

The patent or application file contains at least one drawing executed in color. Copies of this patent or patent application publication with color drawing(s) will be provided by the Office upon request and payment of the necessary fee.

(80) **Hague Agreement Data**

Int. Filing Date: **Jul. 25, 2018**  
Int. Reg. No.: **DM/200049**  
Int. Reg. Date: **Jul. 25, 2018**  
Int. Reg. Pub. Date: **Feb. 1, 2019**

(30) **Foreign Application Priority Data**

Feb. 12, 2018 (KR) ..... 30-2018-0007541

(51) **LOC (12) Cl.** ..... **12-12**

(52) **U.S. Cl.**  
USPC ..... **D12/131; D12/129**

(58) **Field of Classification Search**  
USPC ..... **D12/128-133; D21/686-691**  
(Continued)

(56) **References Cited**

U.S. PATENT DOCUMENTS

4,211,426 A \* 7/1980 Motloch ..... A47D 13/04  
280/87.041  
5,702,326 A \* 12/1997 Renteria ..... A61H 3/04  
135/67

(Continued)

1. Cart for wearable walking aid apparatus

1.1 : Front perspective folded

1.2 : Front folded

1.3 : Back folded

1.4 : Left folded

1.5 : Top folded

1.6 : Bottom folded

1.7 : Back Perspective folded

1.8 : Reference photo

1.9 : Reference photo 2

1.10 : Perspective view 2

1.11 : Front view 2

1.12 : Back view 2

1.13 : Left view 2

1.14 : Top view 2

1.15 : Bottom view 2

1.16 : Back perspective view 2

1.17 : Perspective view 3

1.18 : Front view 3

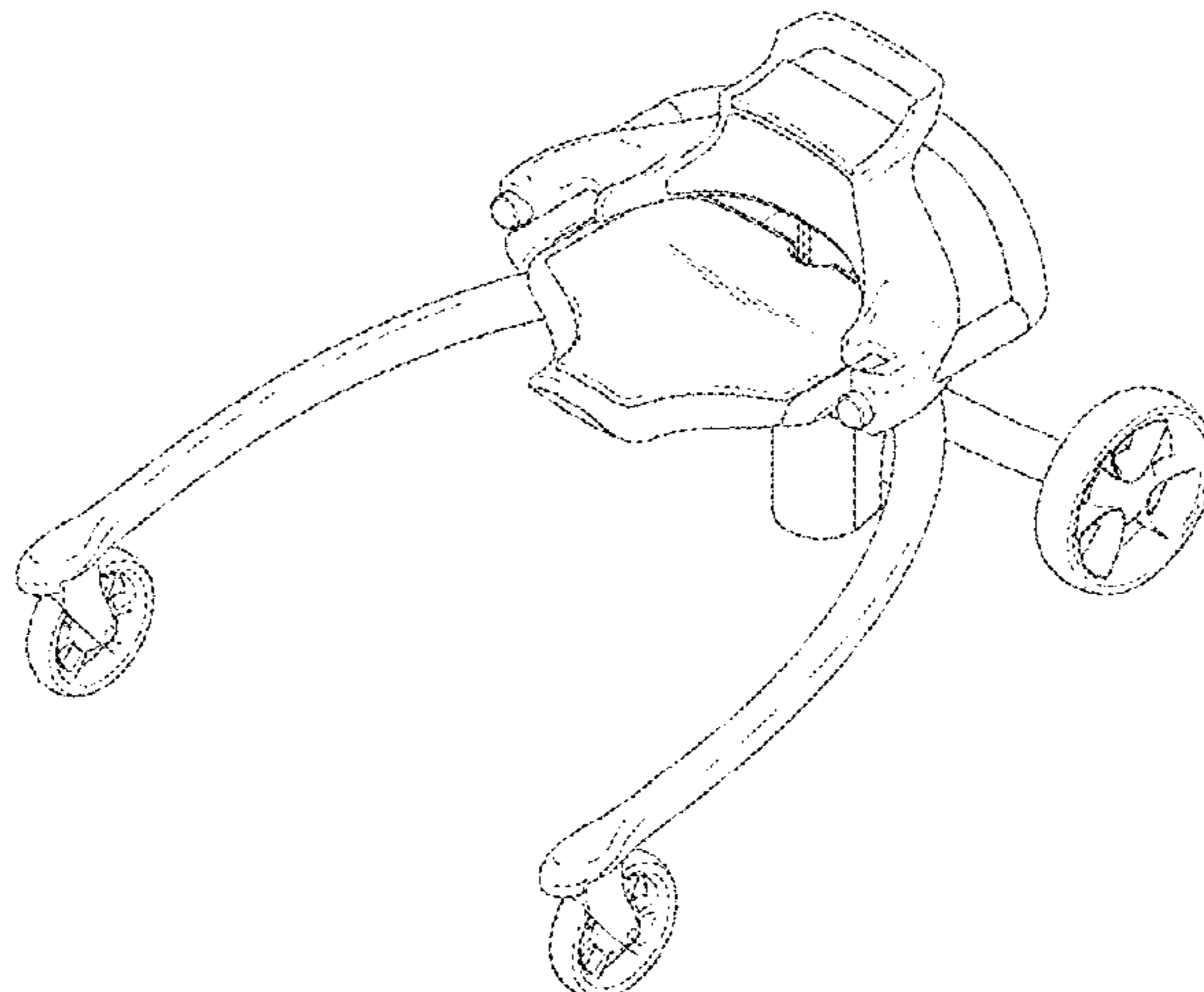
1.19 : Back view 3

1.20 : Left view 3

1.21 : Top view 3

1.22 : Bottom view 3

(Continued)



**1.23** : Back perspective view 3

**1.24** : Reference photo 3

**1.25** : Reference photo 4

1. Reproductions **1.1** to **1.7** are front perspective, front, back, left, top, bottom and back perspective views of the cart for wearable walking aid apparatus in a condition that the claimed design has been completely folded. Reproductions **1.8** and **1.9** are reference photos showing the condition that the claimed design has been completely folded and the user is sitting thereon, and form no part of the claimed design. Reproductions **1.10** to **1.16** are front perspective, front, back, left, top, bottom and back perspective views thereof in a condition that the claimed design has been half unfolded. Reproductions **1.17** to **1.23** are front perspective, front, back, left, top, bottom and back perspective views thereof in a condition that the claimed design has been completely unfolded. Reproductions **1.24** and **1.25** are reference photos showing the condition that the claimed design has been completely unfolded and the user is using the claimed design as a walking assistance equipment while wearing the wearable walking aid apparatus, and form no part of the claimed design. This design is for a cart on which the user can mount a wearable walking aid apparatus for rehabilitation of human lower body. This can also be used as a chair for wearing the wearable walking aid apparatus in a completely folded state,

as shown in reproduction **1.9** and as a walking assistance equipment in unfolded state as shown in reproduction **1.25**.

**1 Claim, 25 Drawing Sheets  
(4 of 25 Drawing Sheet(s) Filed in Color)**

(58) **Field of Classification Search**

CPC ..... A61H 3/04; A61H 2003/043; A61H  
2003/046; A61G 5/1056-1075; A61G  
5/14

See application file for complete search history.

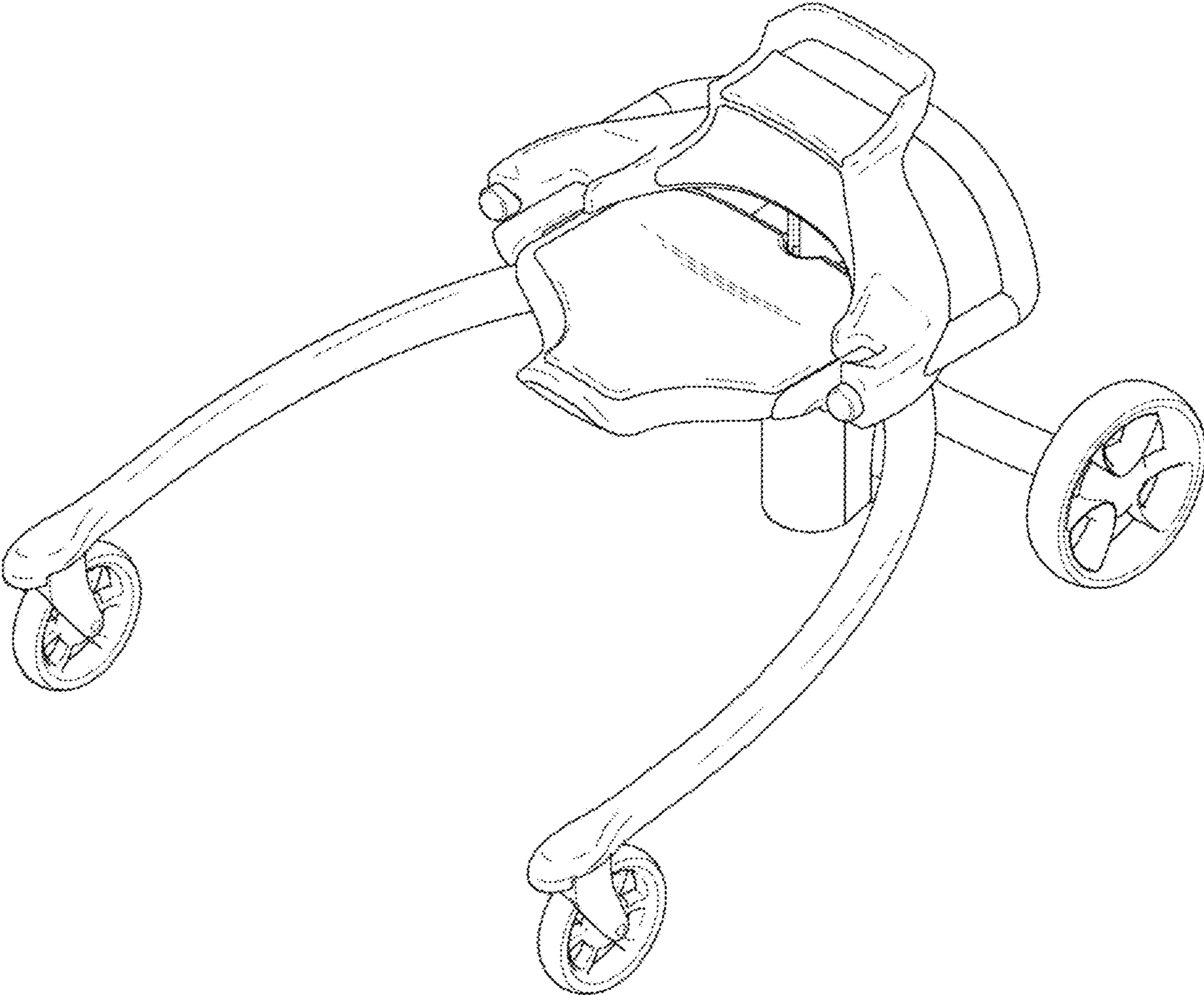
(56) **References Cited**

U.S. PATENT DOCUMENTS

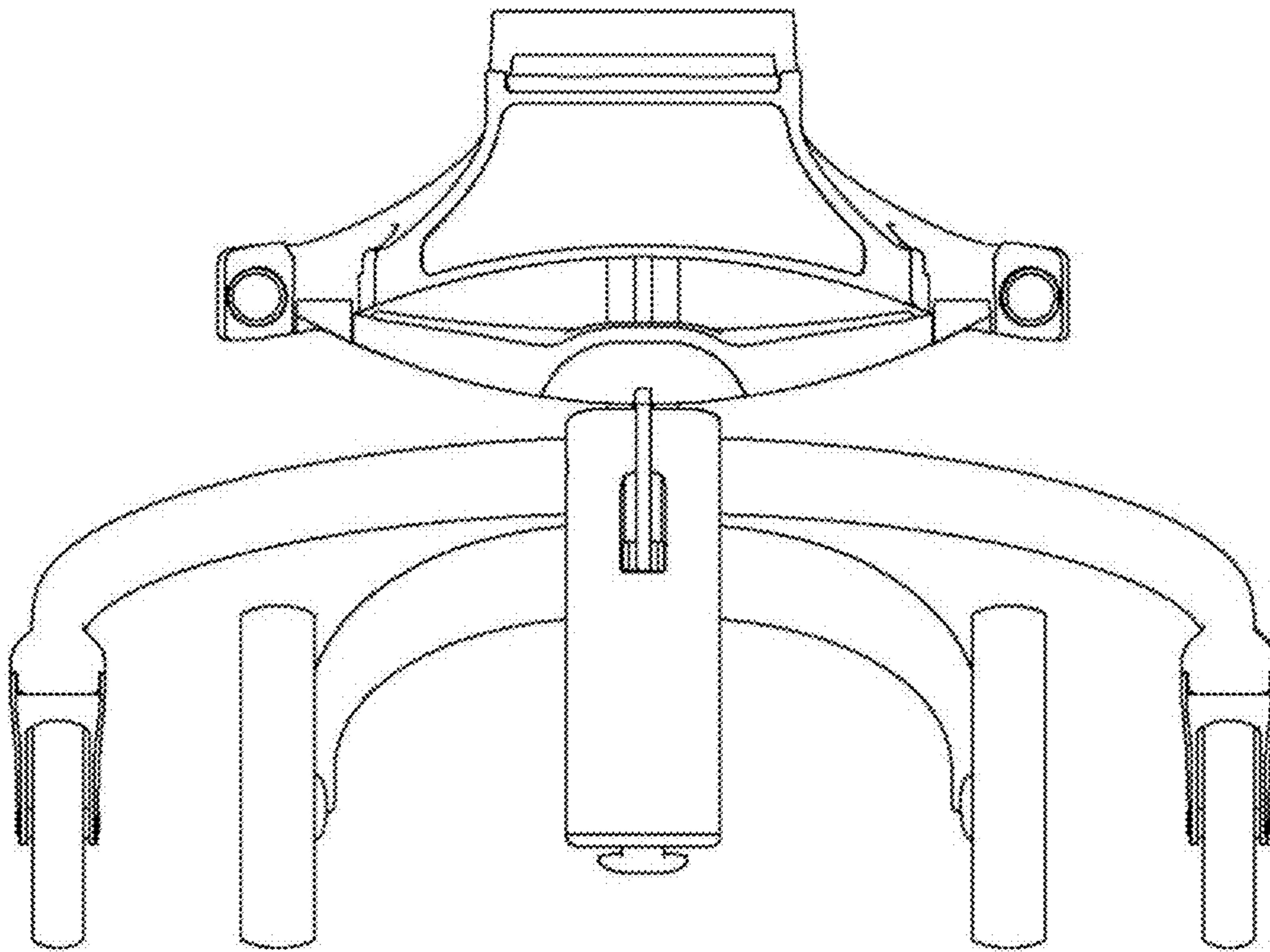
D617,239	S	*	6/2010	Storm	.....	D12/133
D700,872	S	*	3/2014	Mograbi	.....	D12/130
D751,468	S	*	3/2016	Stryker	.....	D12/131
9,314,395	B1	*	4/2016	VanAusdall	.....	A61H 3/04
D780,075	S	*	2/2017	Clement	.....	A47D 13/04 D12/133
D789,254	S	*	6/2017	Koshiishi	.....	A61H 3/04 D12/130
D814,363	S	*	4/2018	VanAusdall	.....	D12/130
D861,544	S	*	10/2019	January	.....	A61H 3/04 D12/130

\* cited by examiner

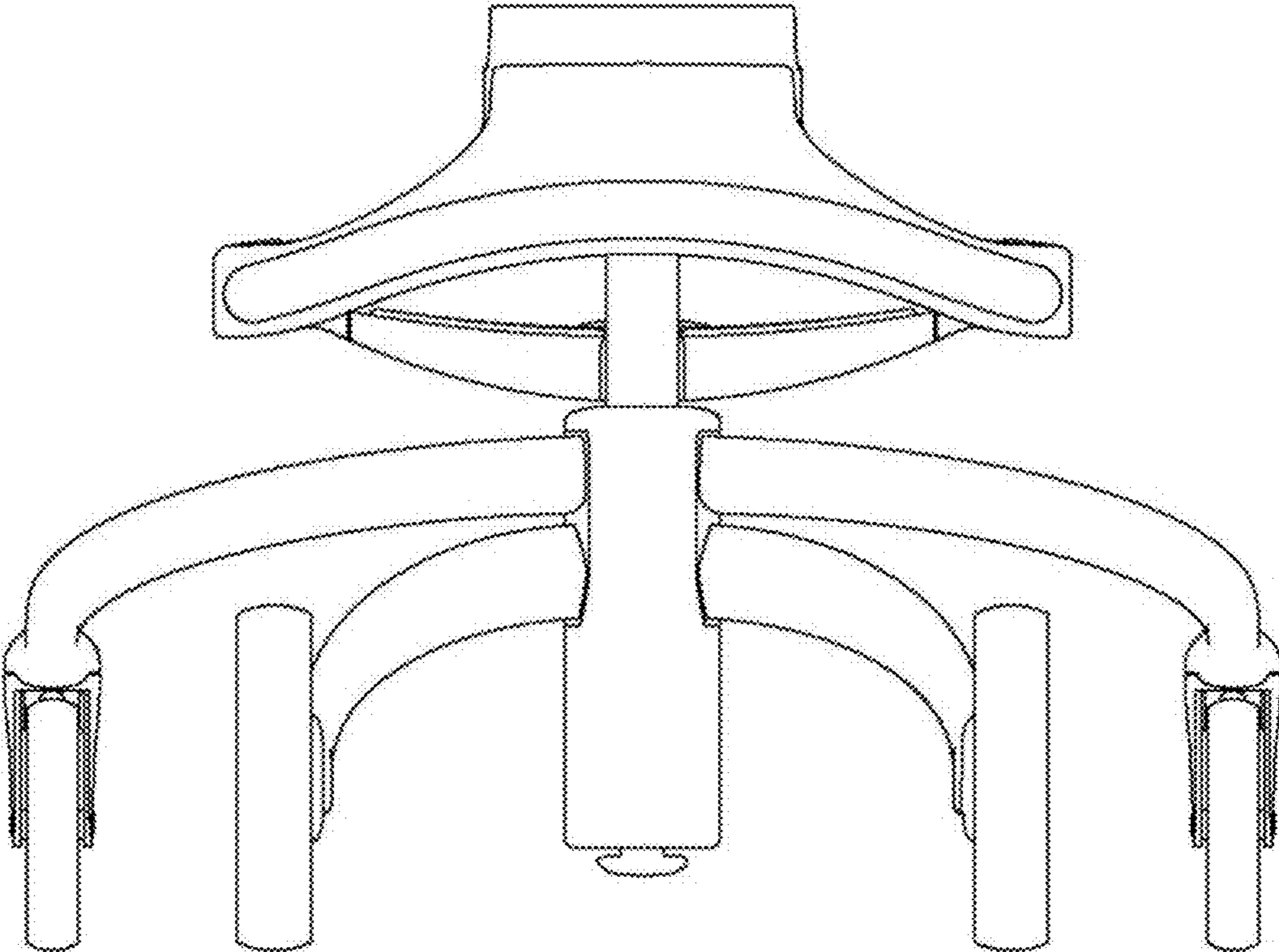
1.1



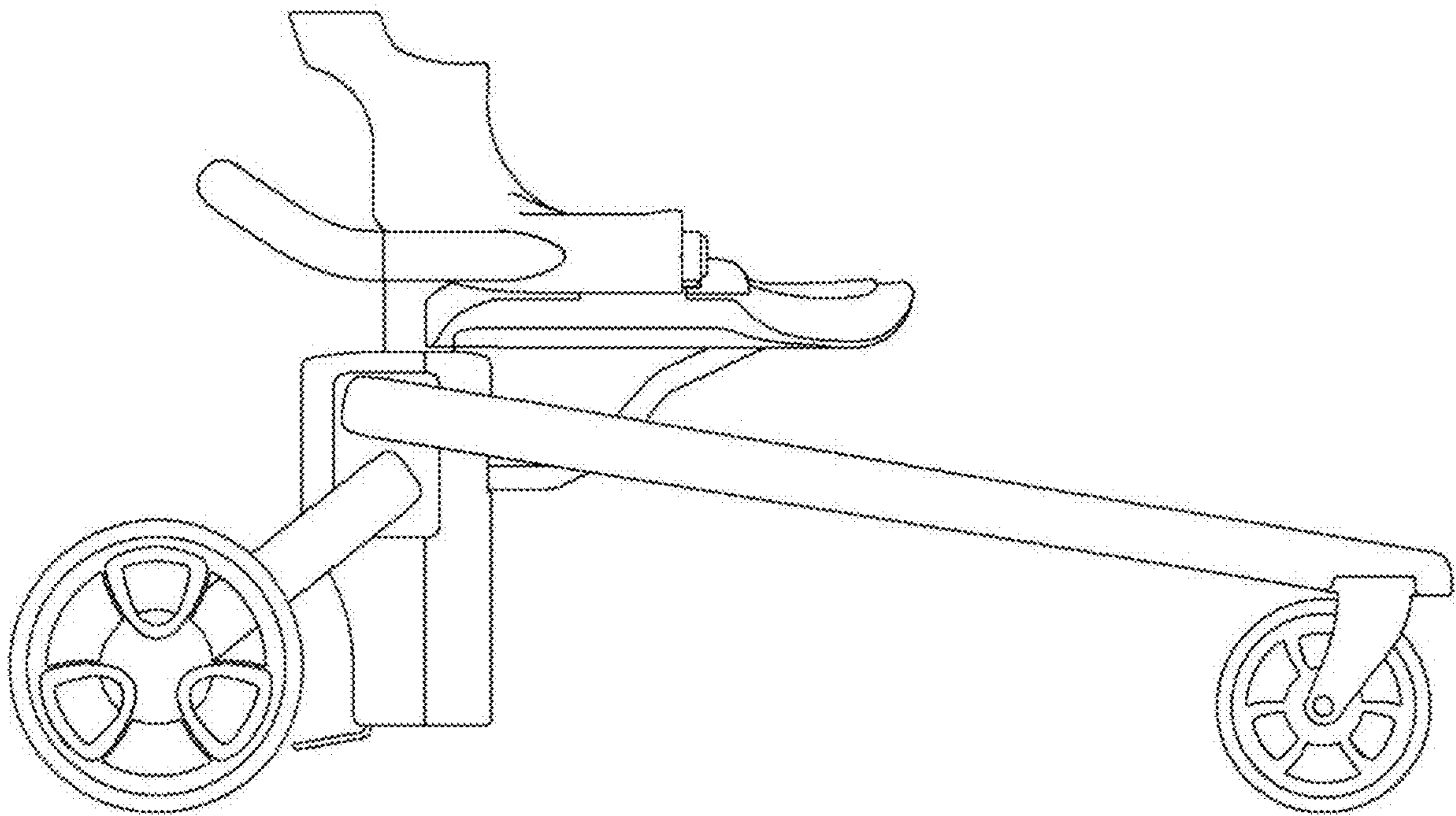
1.2



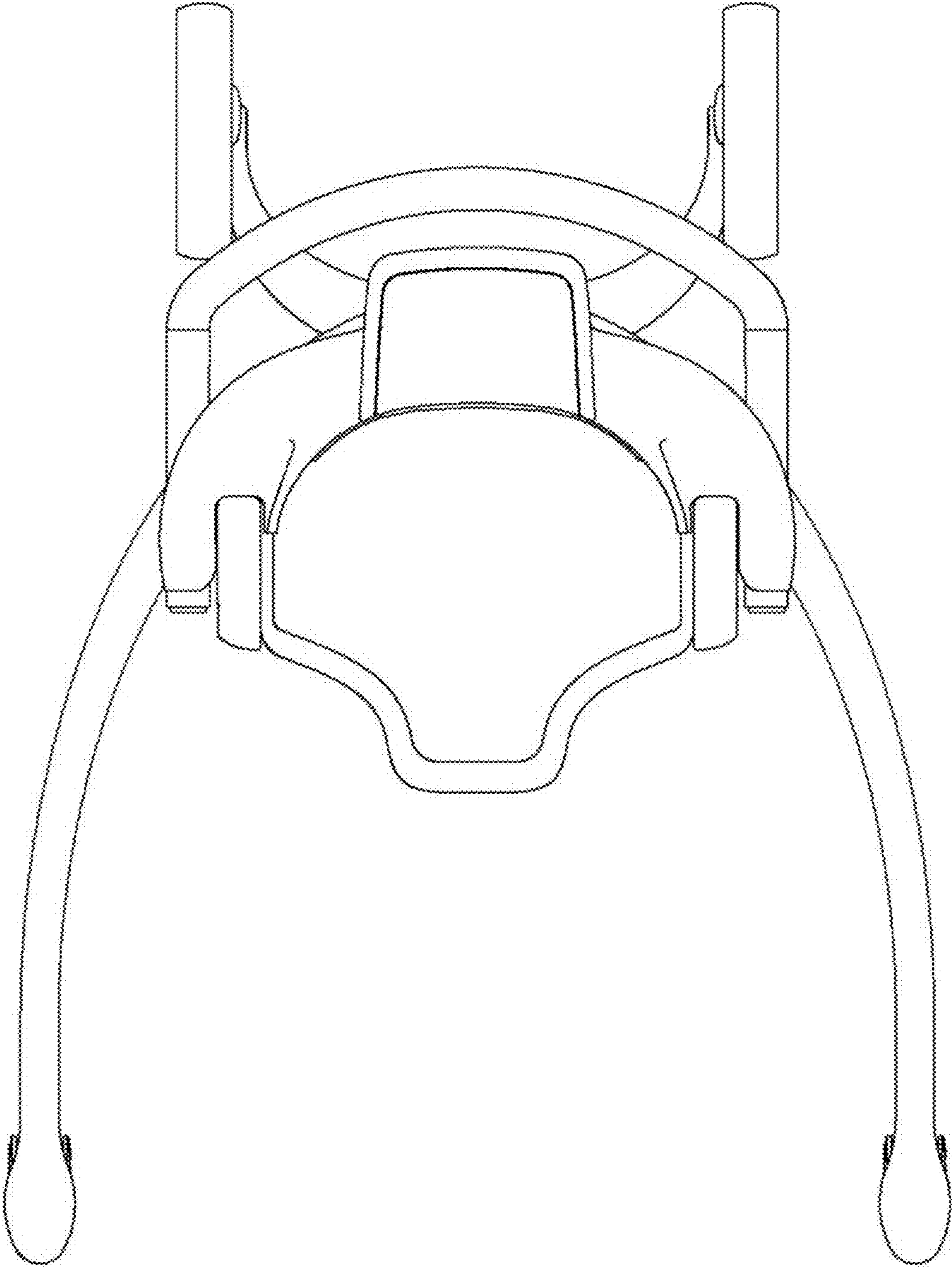
1.3



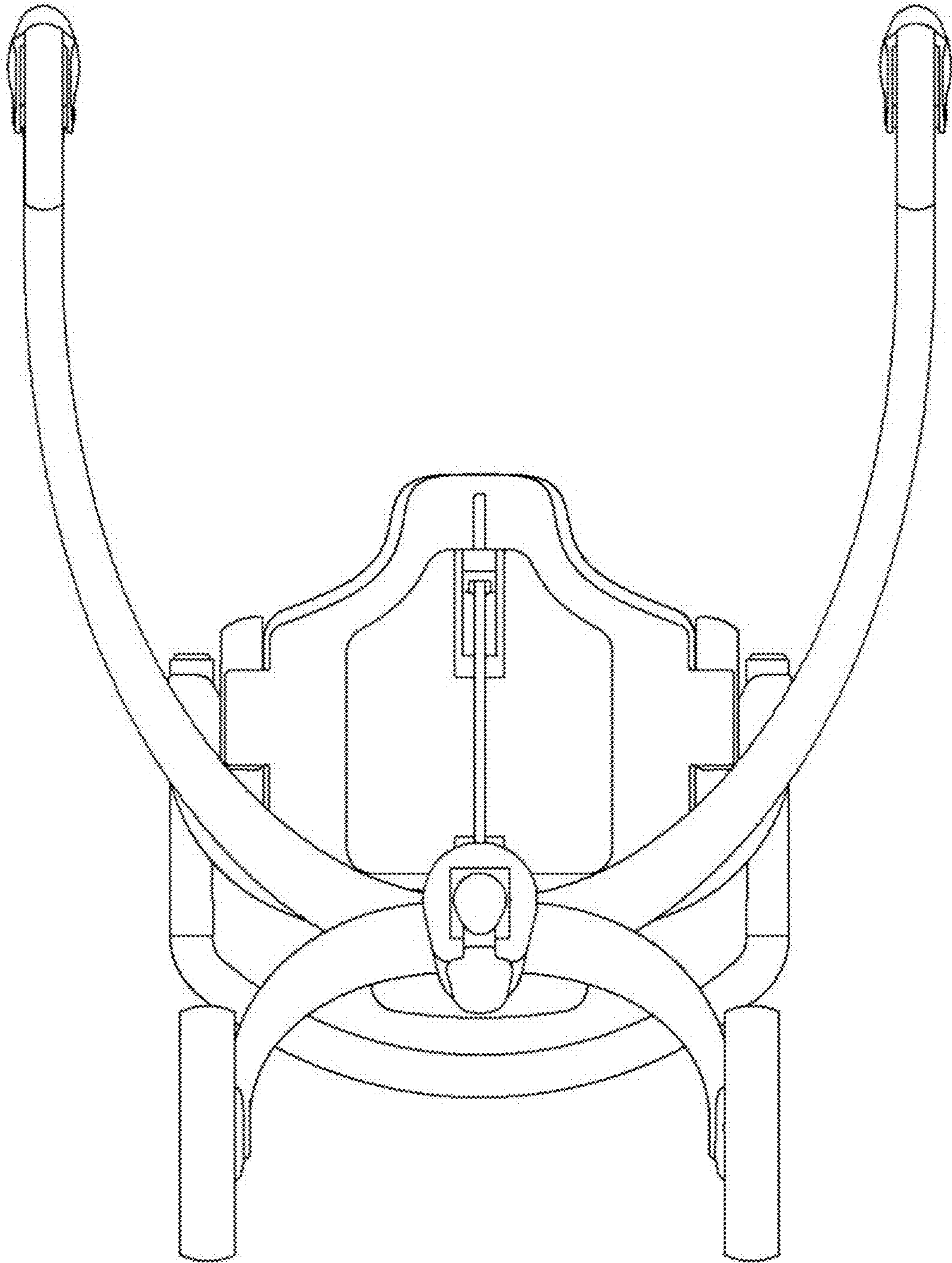
1.4



1.5

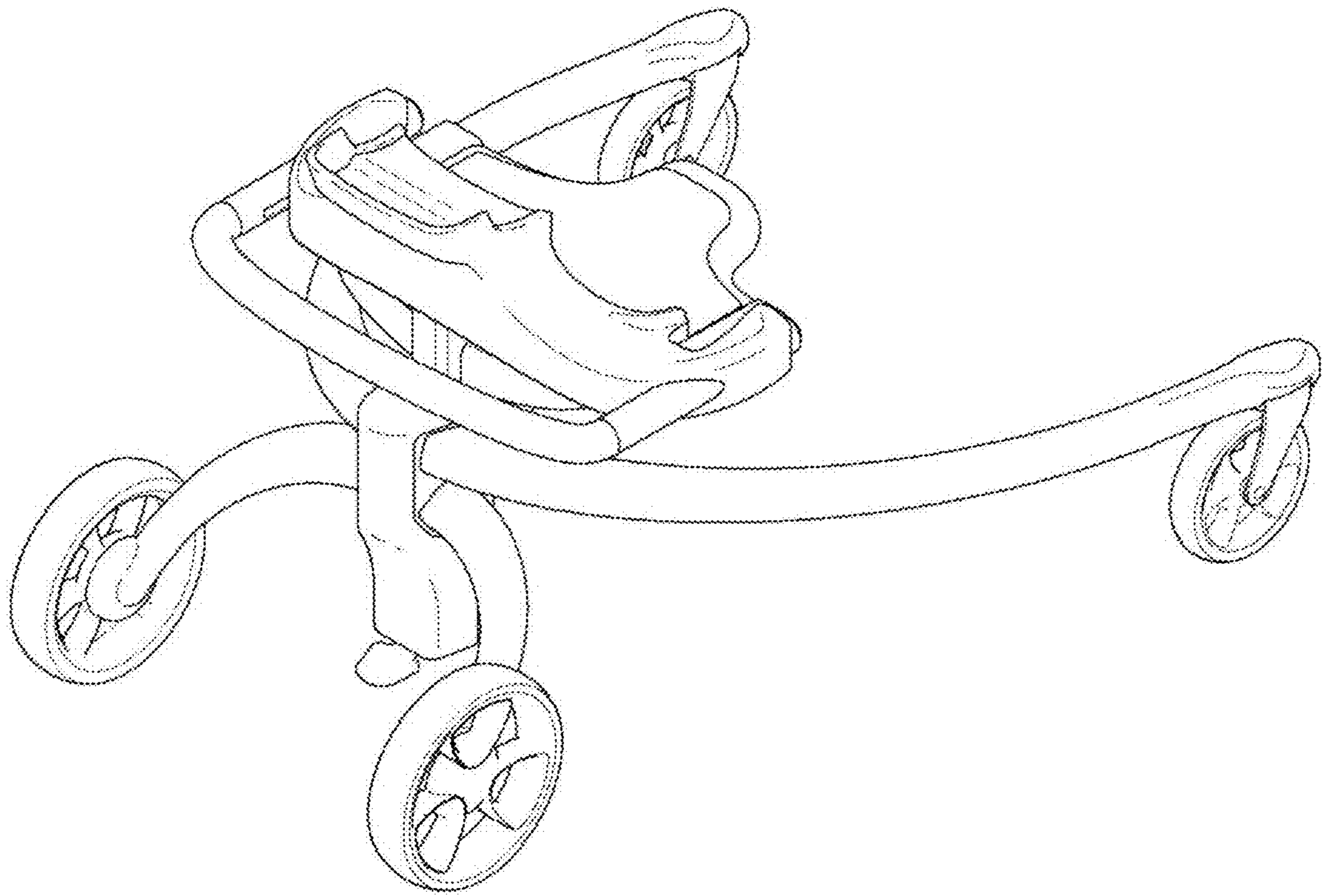


1.6





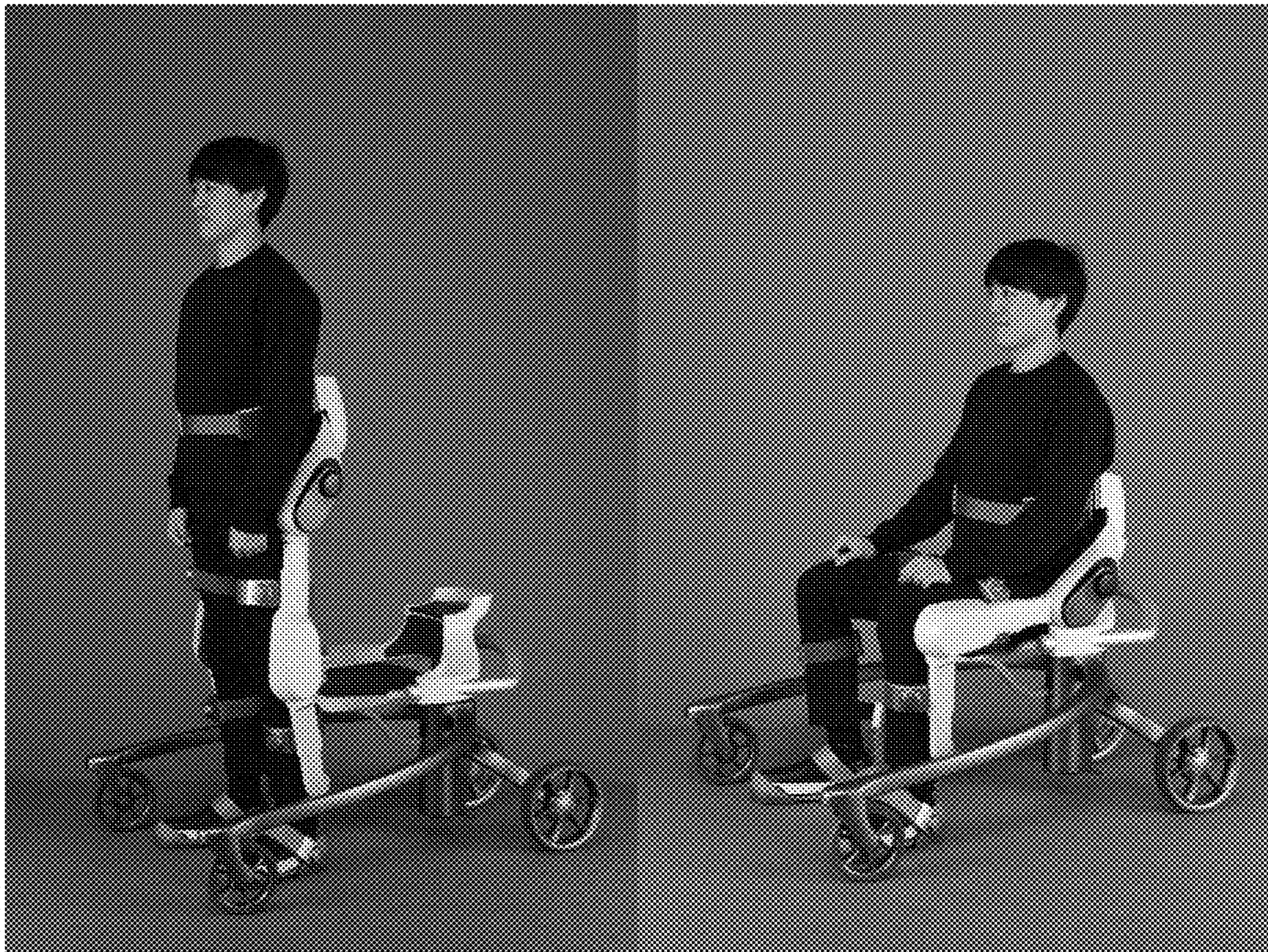
1.7



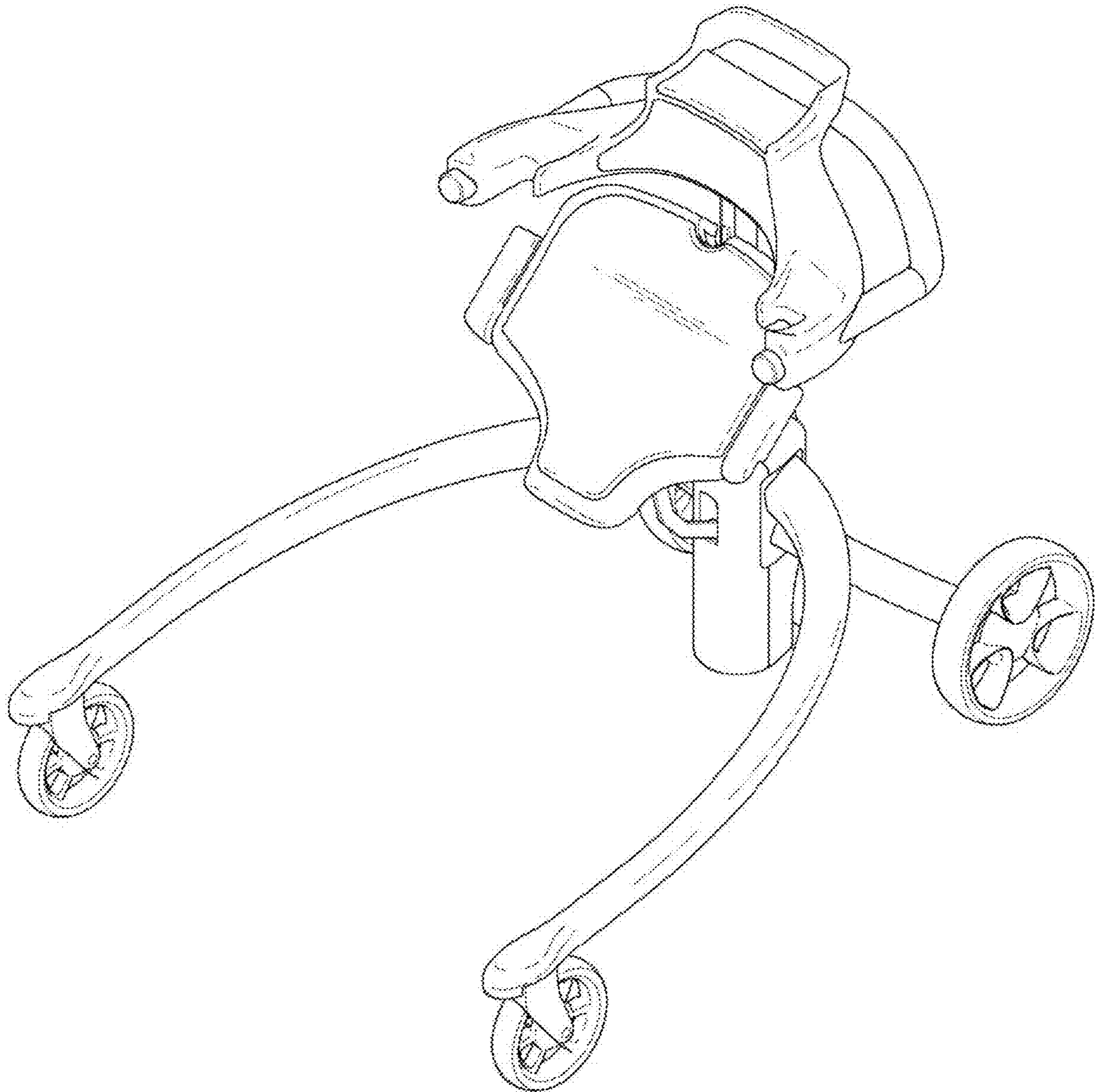
1.8



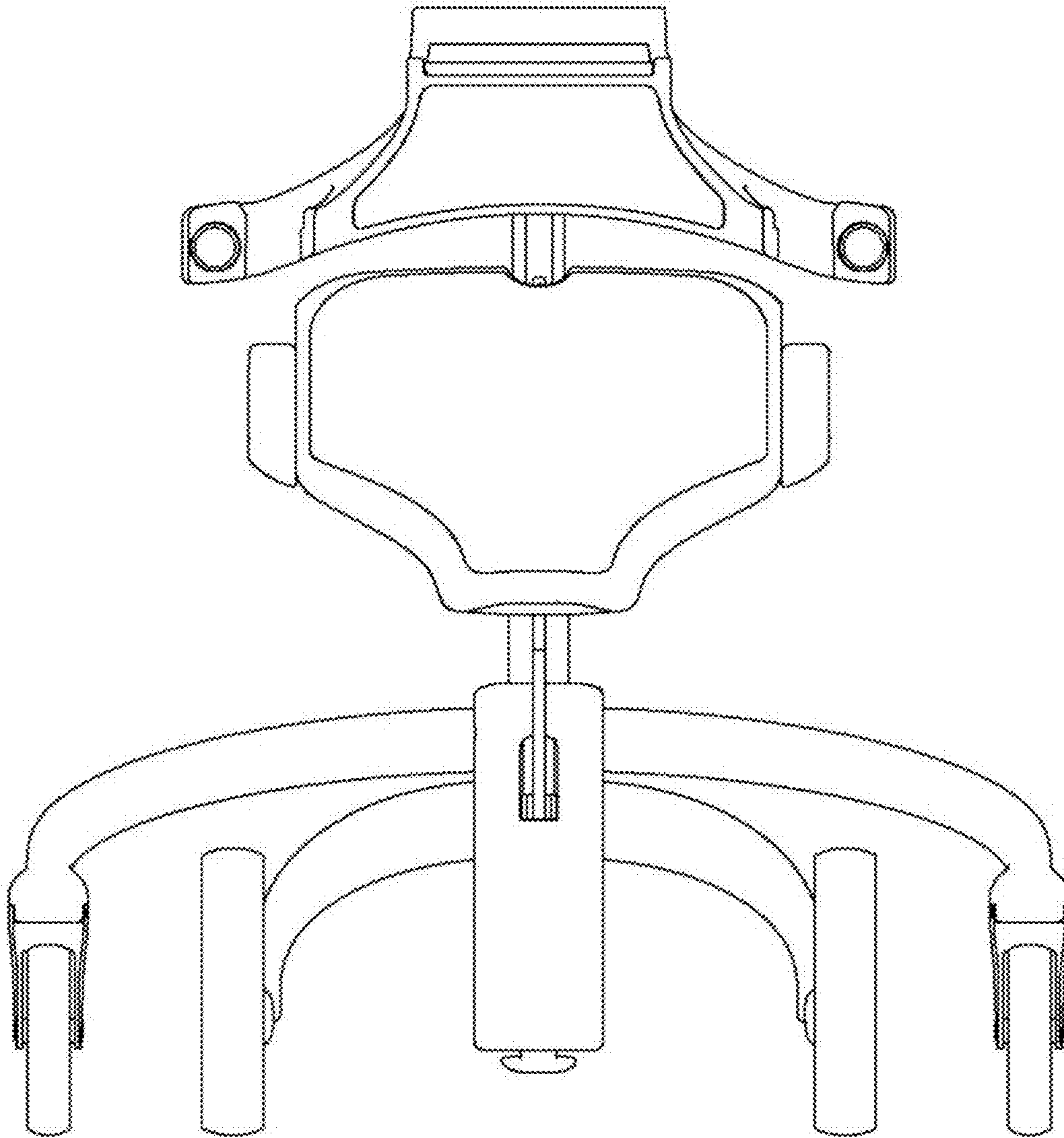
1.9



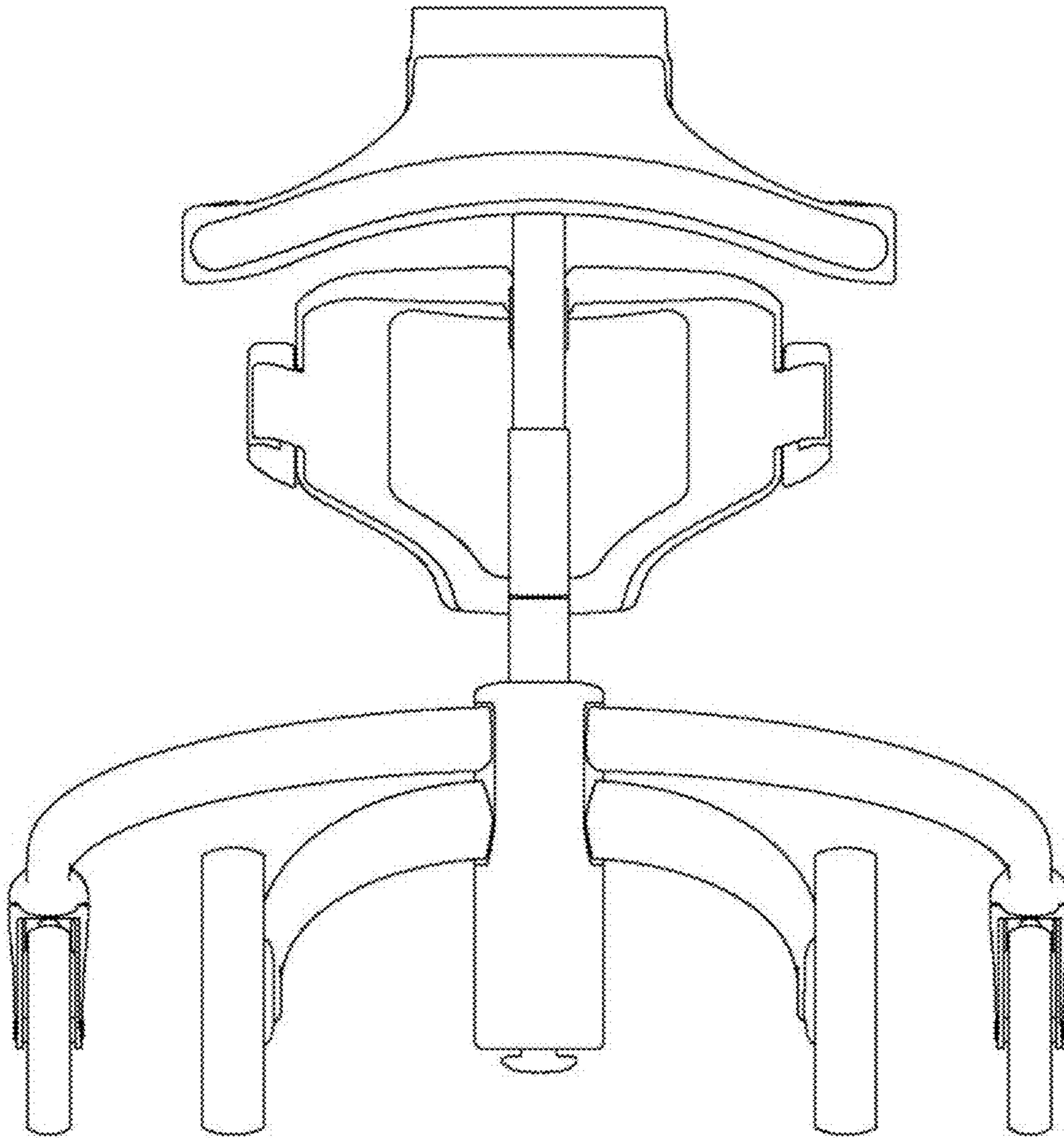
1.10



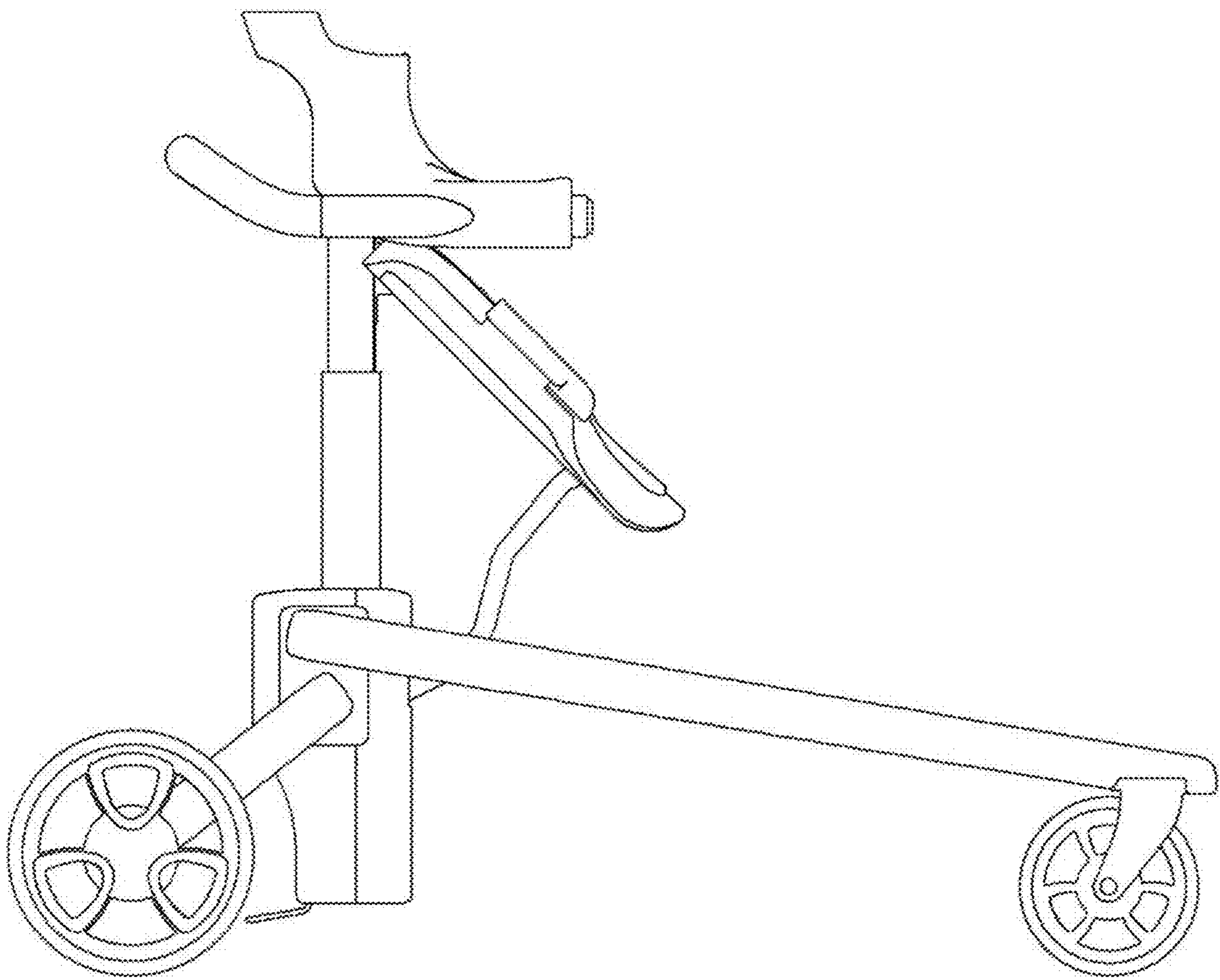
1.11



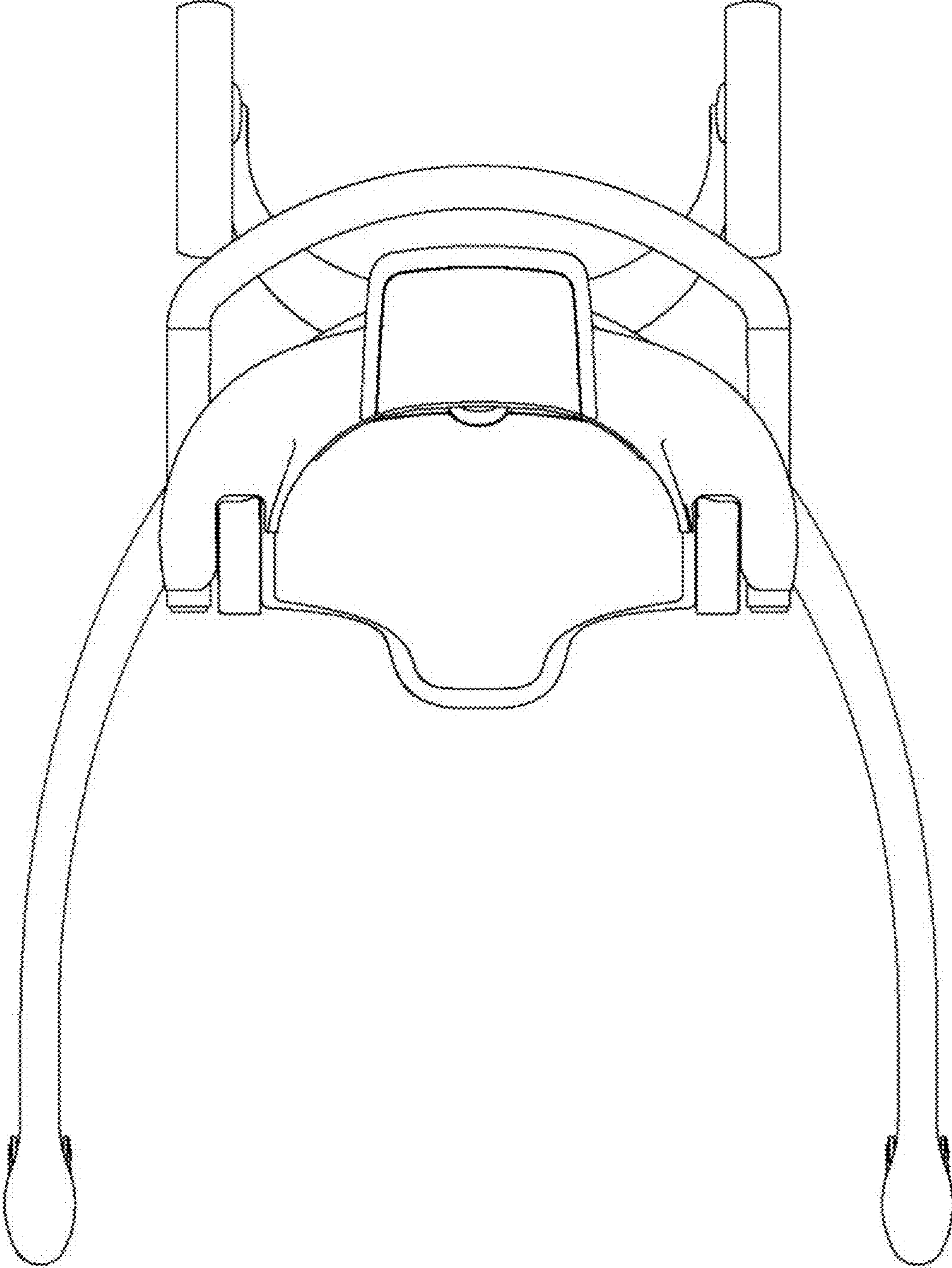
1.12



1.13

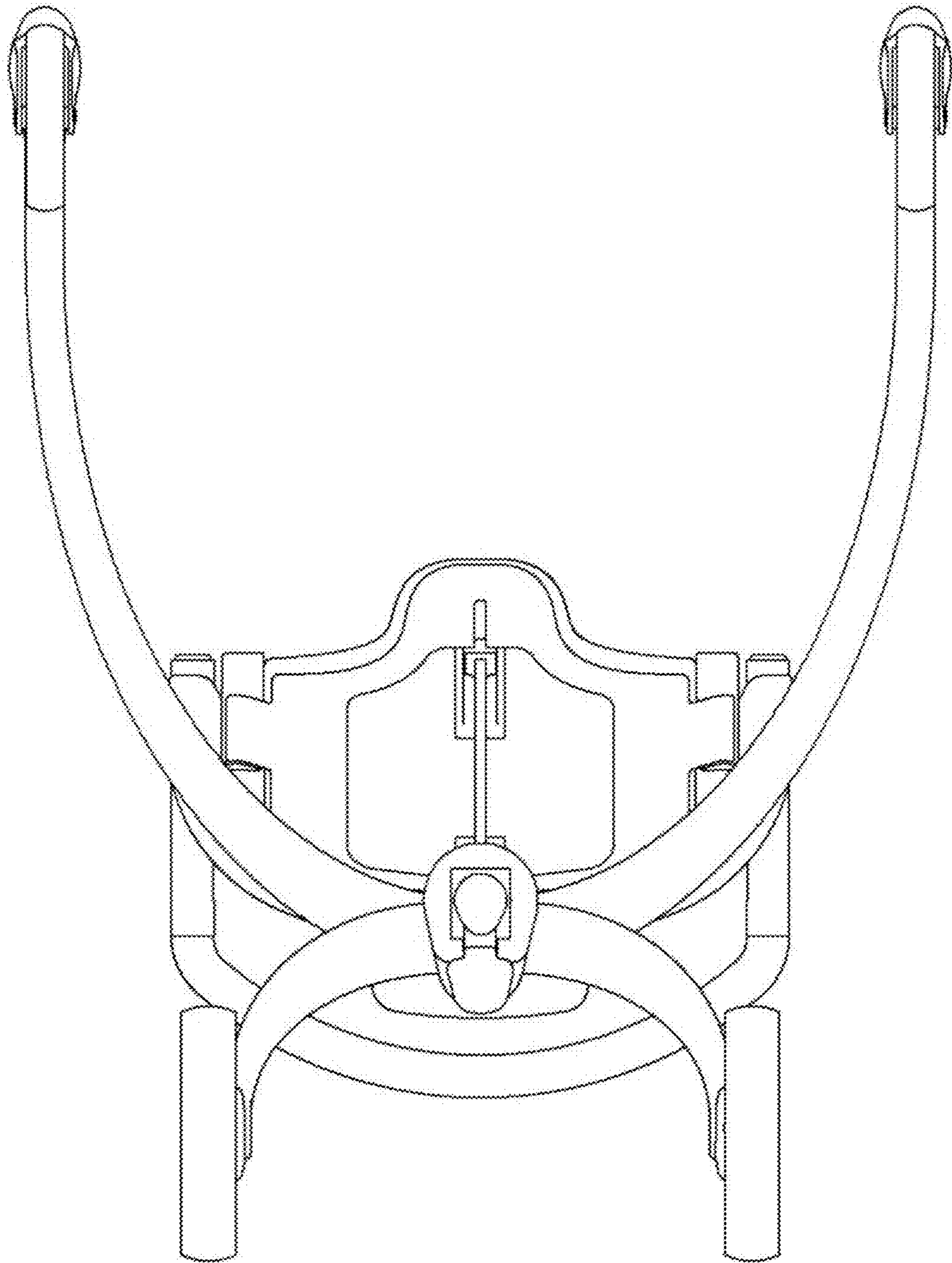


1.14

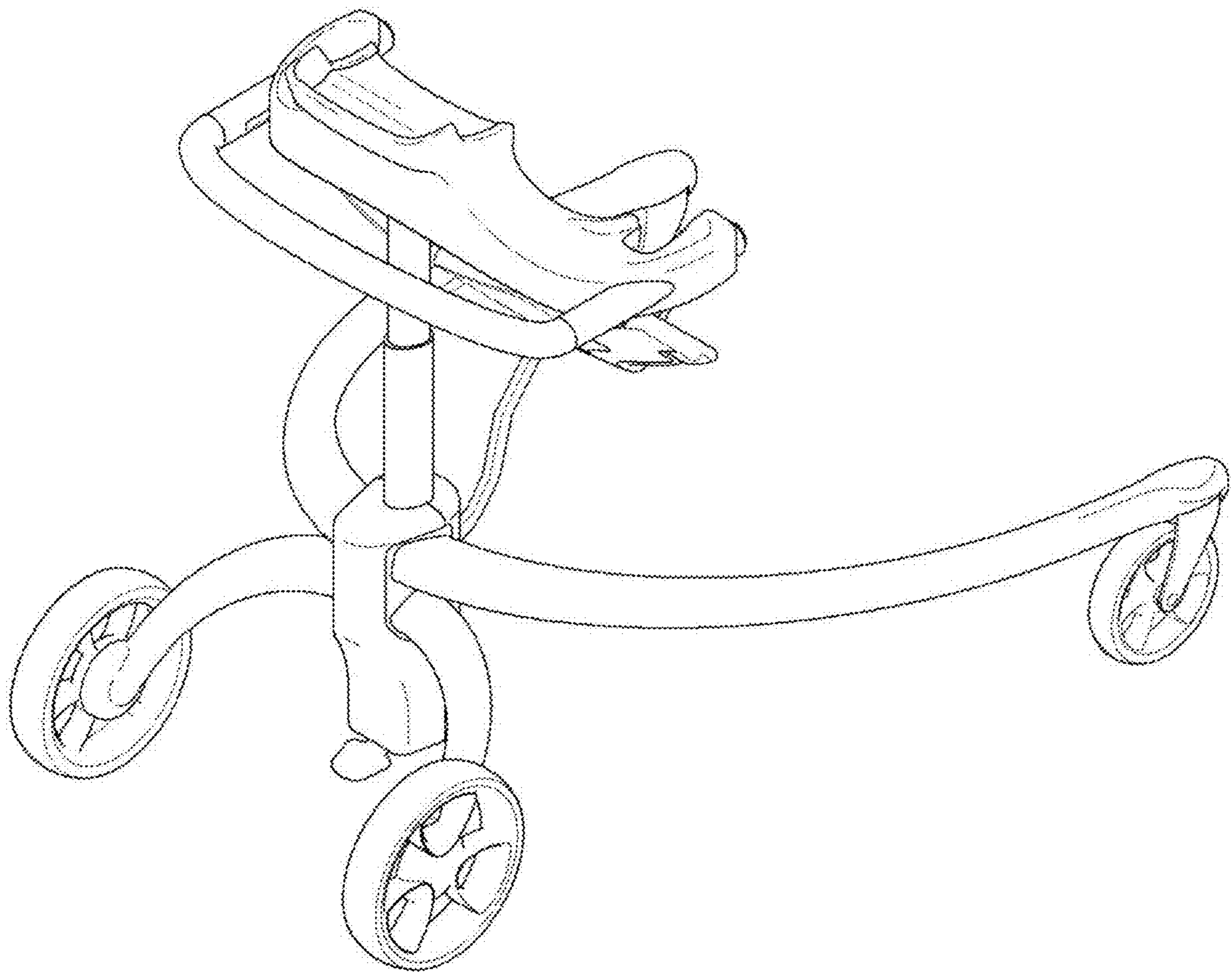




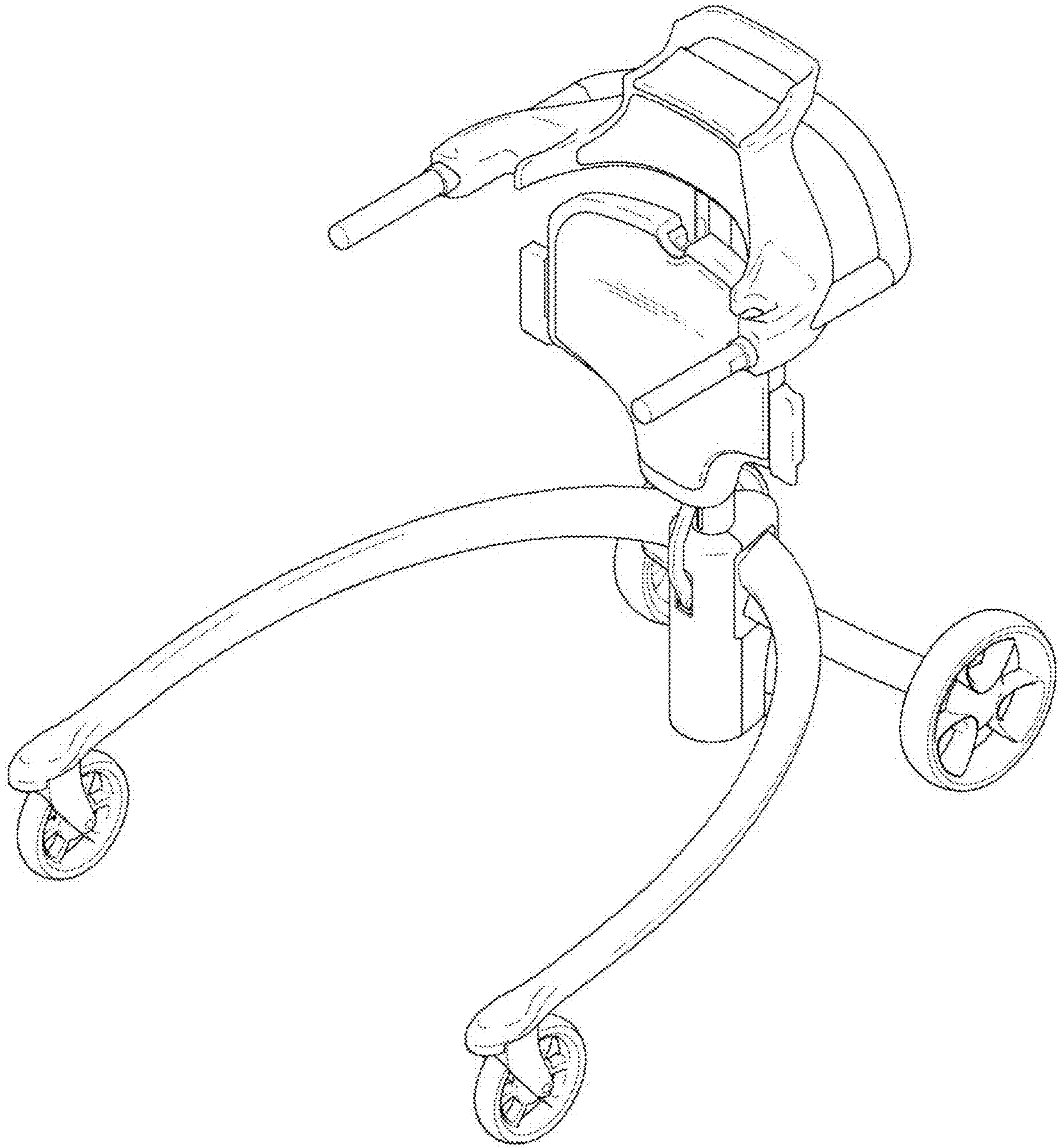
1.15



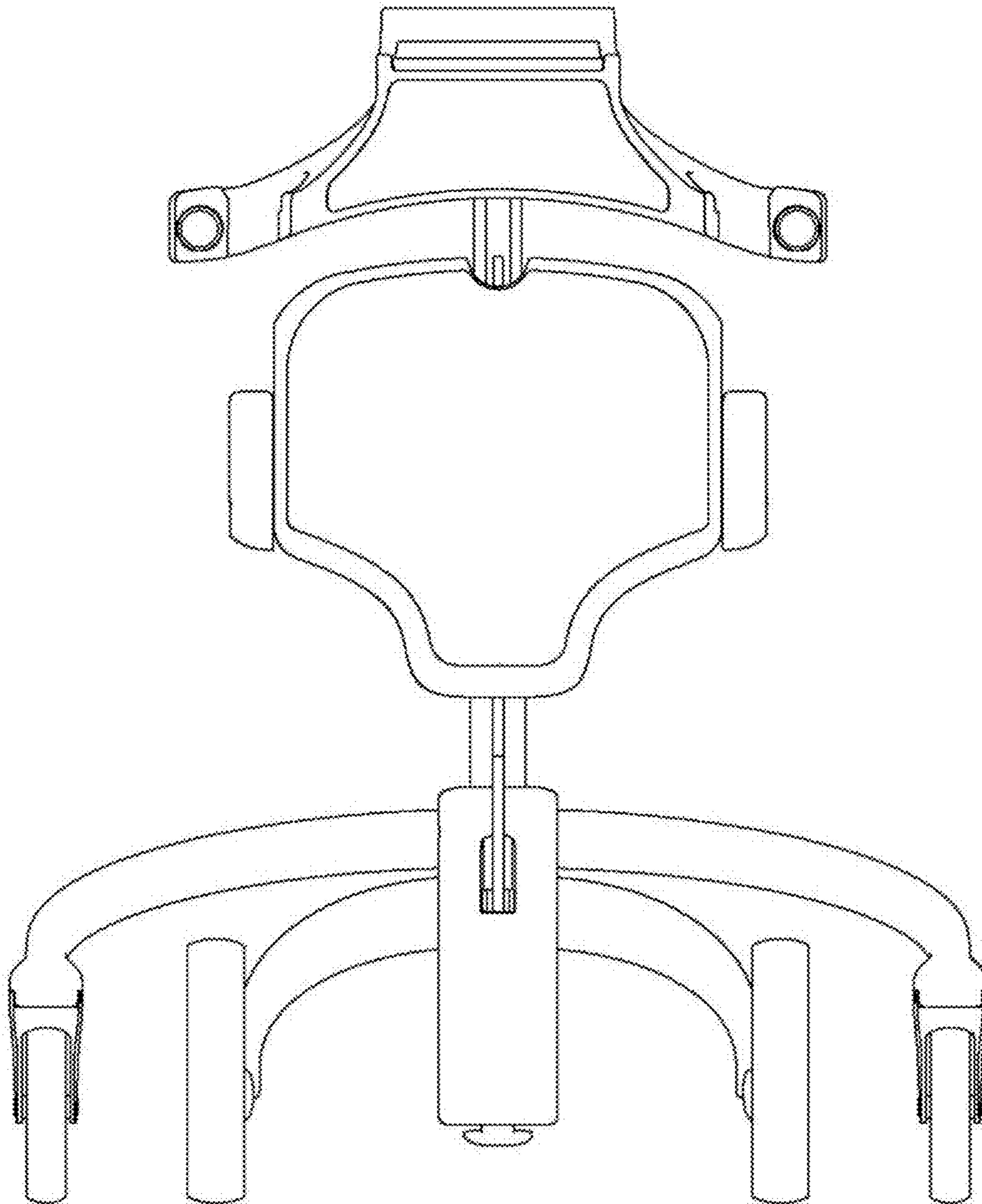
1.16



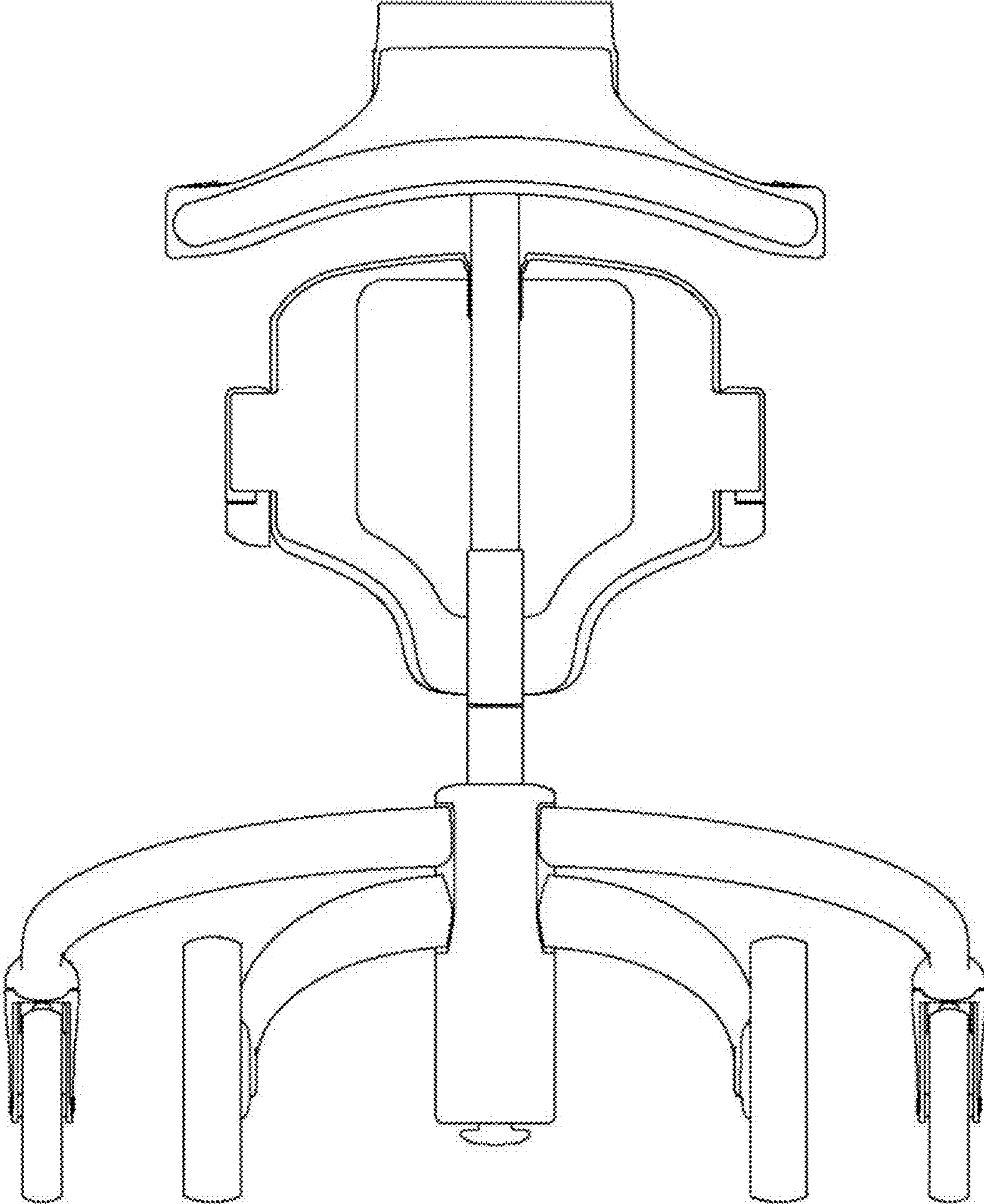
1.17



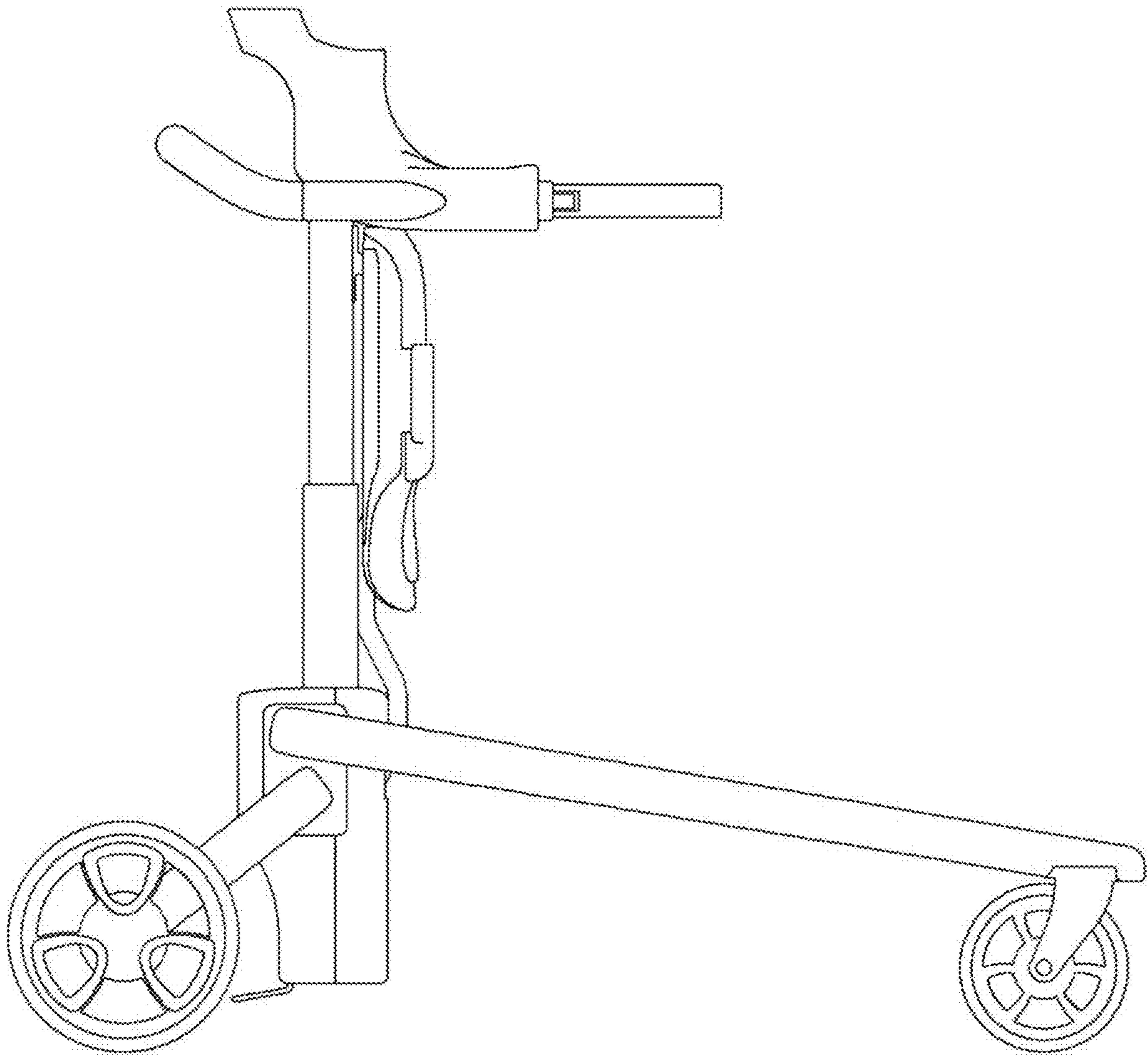
1.18



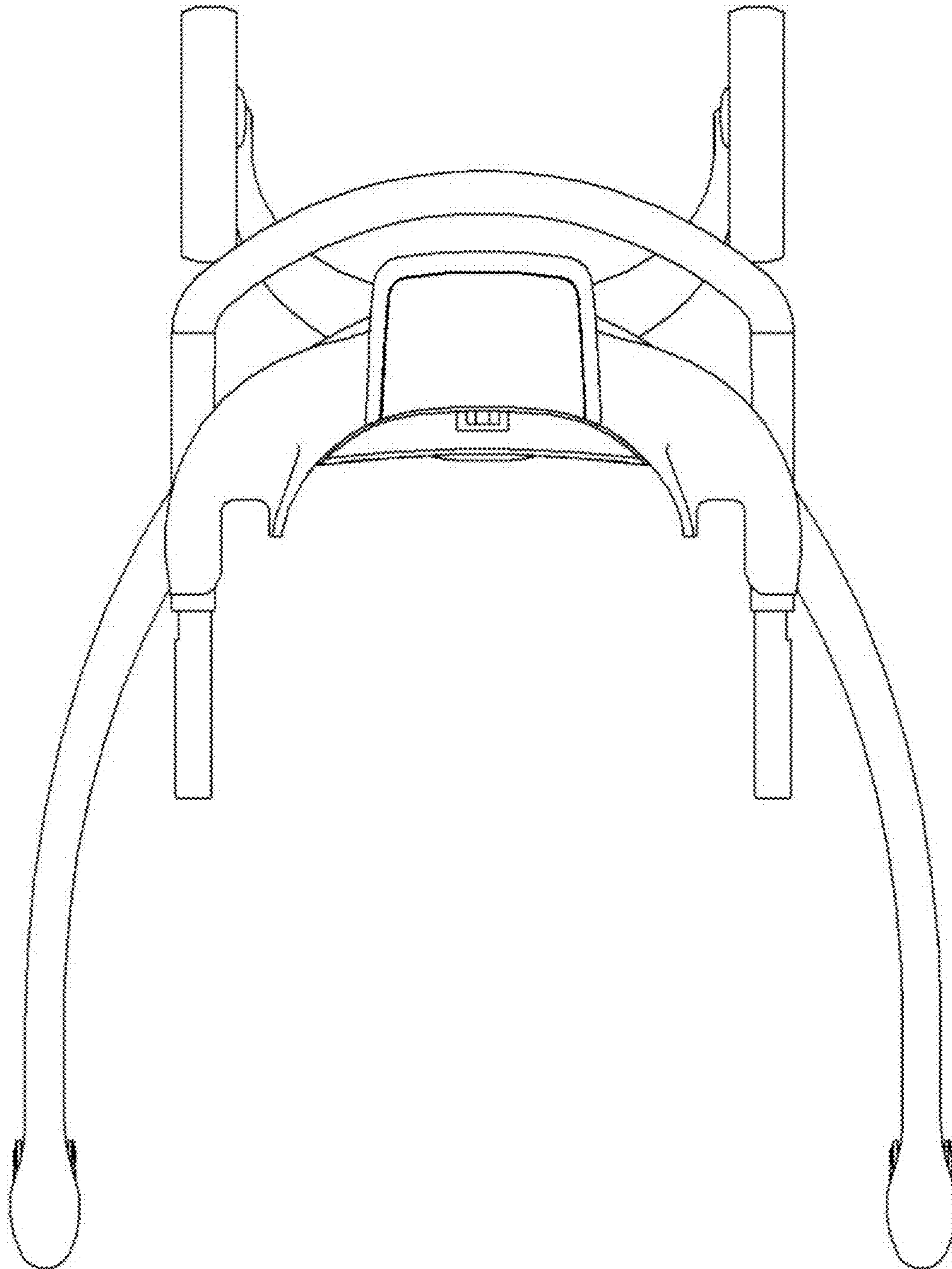
1.19



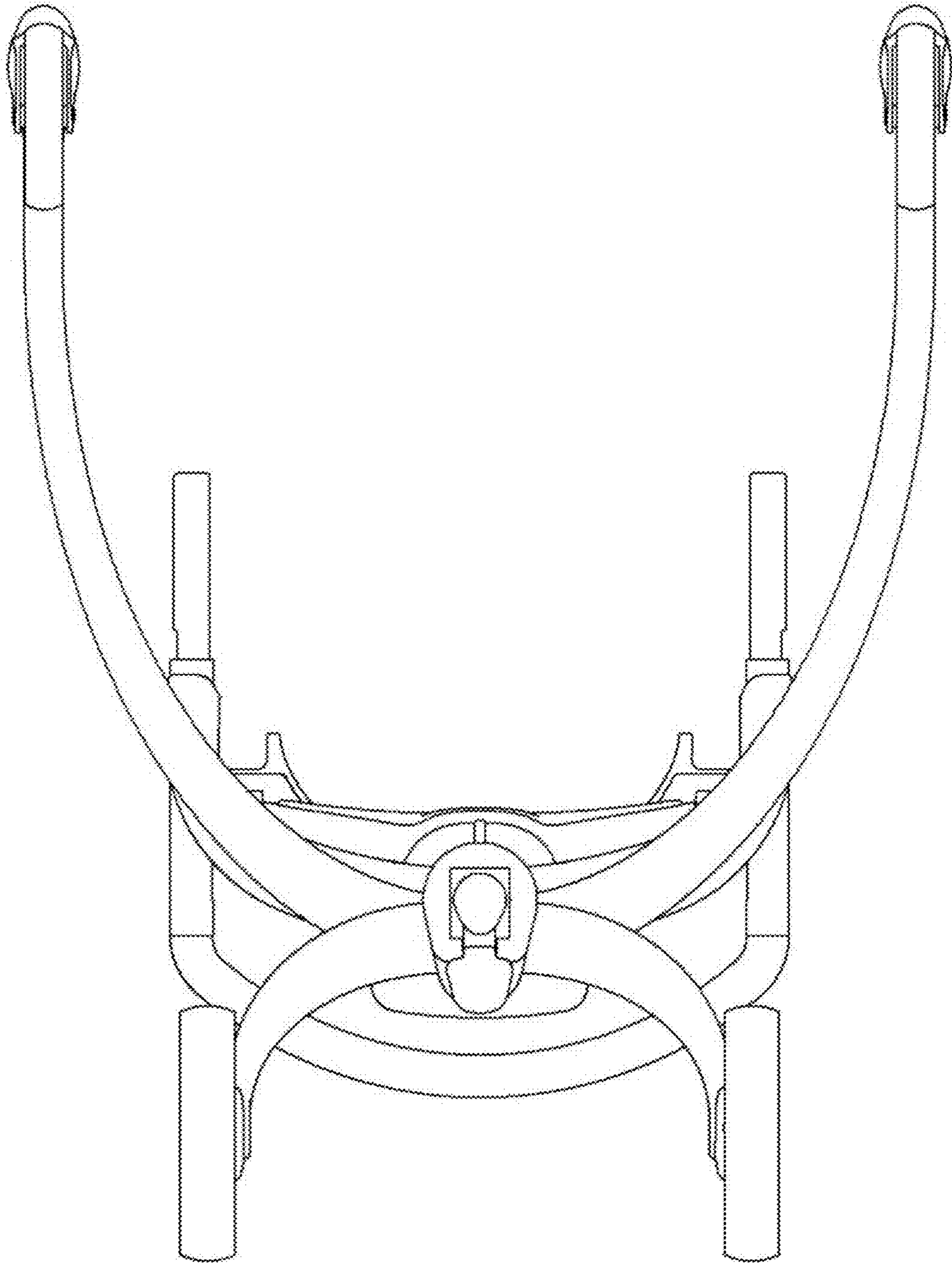
1.20



1.21

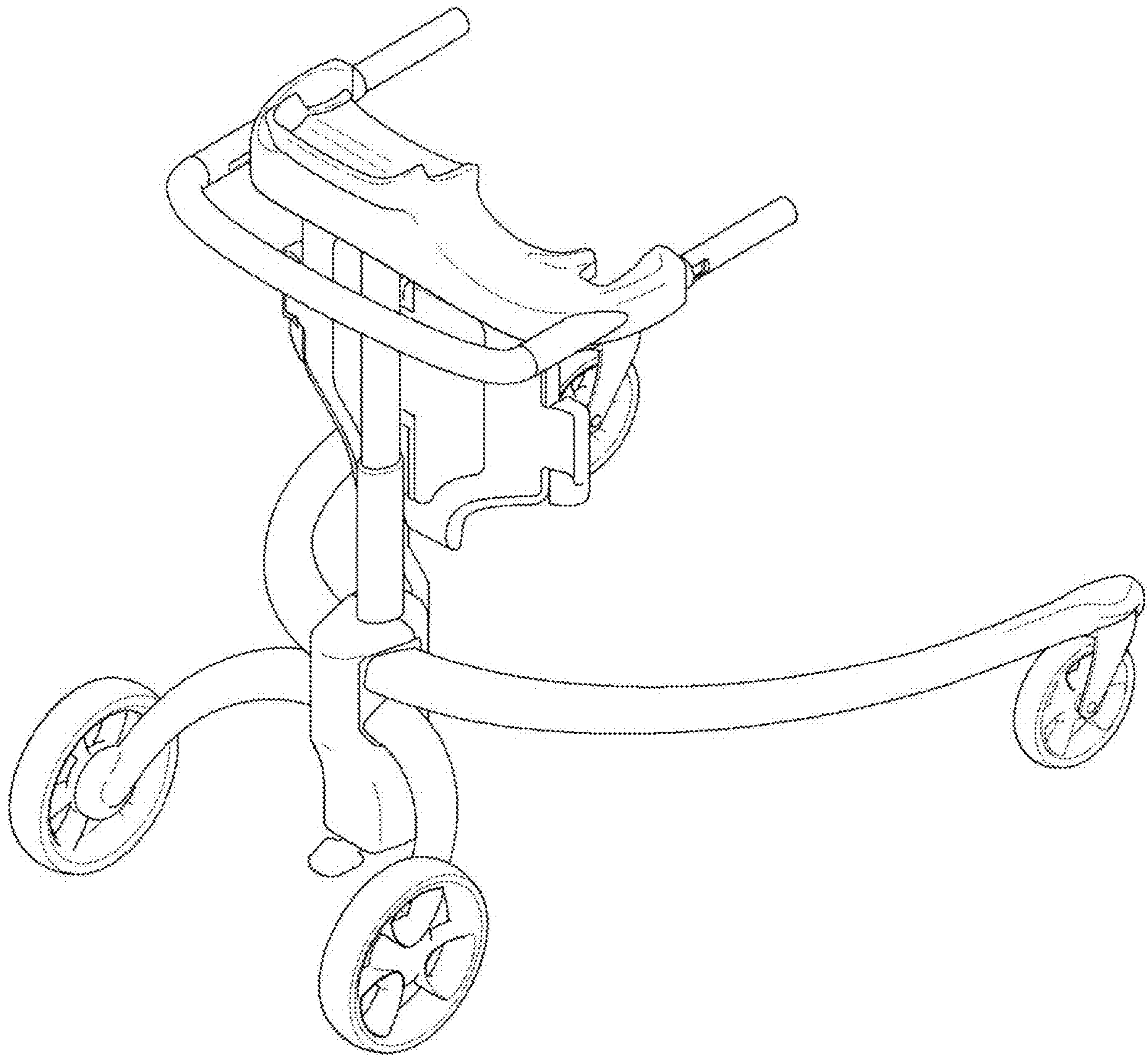


1.22

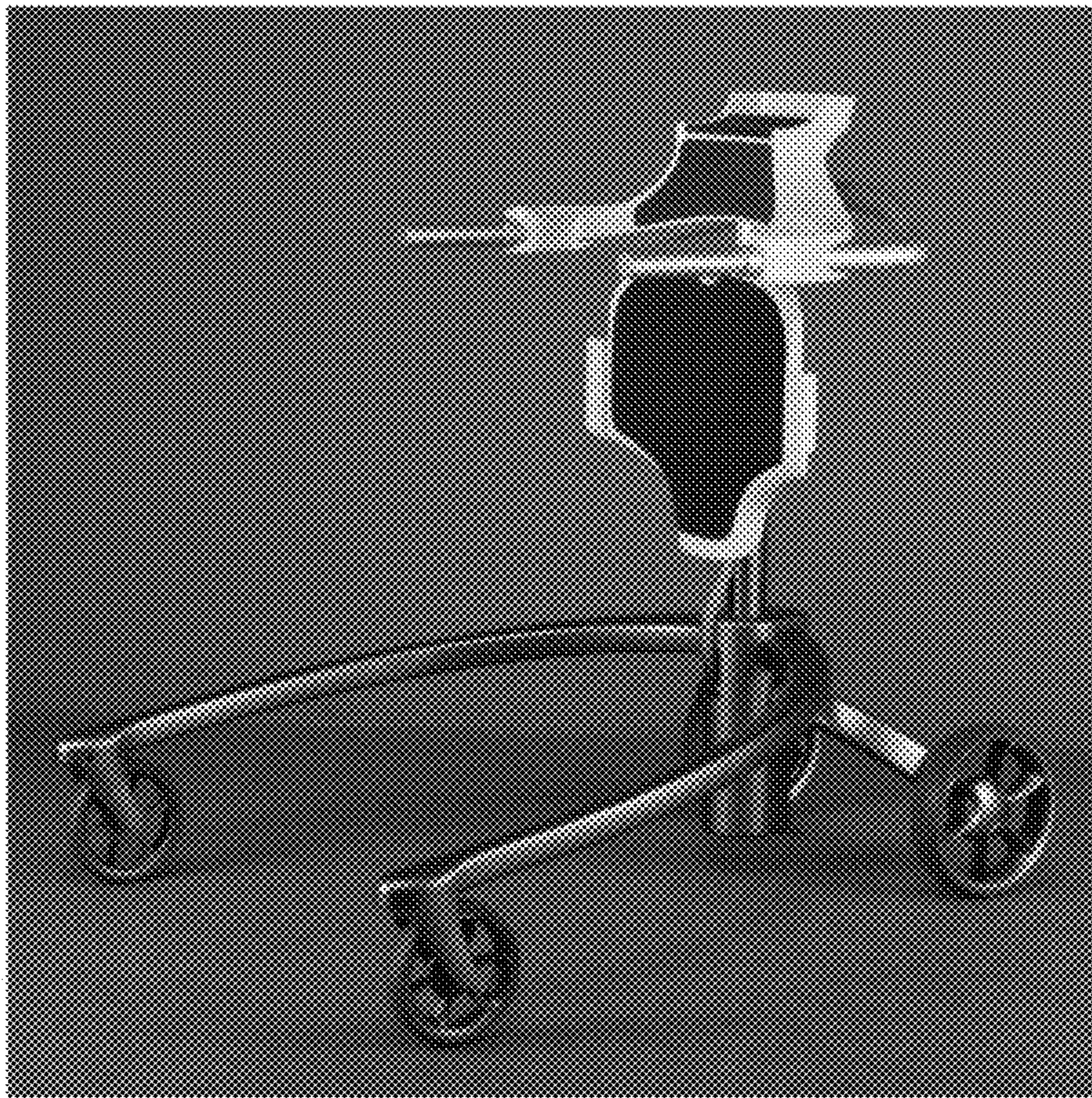




1.23



1.24



1.25

