



US00D881076S

(12) **United States Design Patent**
Teeples et al.

(10) **Patent No.:** **US D881,076 S**
(45) **Date of Patent:** **** Apr. 14, 2020**

(54) **SPEAKER GRILL FOR A MOTORCYCLE SADDLE BAG LID**

(71) Applicant: **ROCKFORD CORPORATION**,
Tempe, AZ (US)

(72) Inventors: **Joseph Lee Teeples**, Chandler, AZ
(US); **Matthew Garrett Orr**, Phoenix,
AZ (US); **Mark Bryson Lowe**,
Chandler, AZ (US)

(73) Assignee: **Rockford Corporation**, Tempe, AZ
(US)

(**) Term: **15 Years**

(21) Appl. No.: **29/615,943**

(22) Filed: **Aug. 31, 2017**

(51) **LOC (12) Cl.** **12-11**

(52) **U.S. Cl.**
USPC **D12/114**

(58) **Field of Classification Search**
USPC D12/114, 110, 126, 409, 410, 407;
D9/431, 435; D3/231; D14/214
(Continued)

(56) **References Cited**

U.S. PATENT DOCUMENTS

D262,103 S * 12/1981 Beaubien D12/410
D304,033 S * 10/1989 Villanueva D14/224
(Continued)

Primary Examiner — Michelle E. Wilson

Assistant Examiner — Clese Moore, Jr.

(74) *Attorney, Agent, or Firm* — The Patent Source

(57) **CLAIM**

The ornamental design for a speaker grill for a motorcycle saddle bag lid, as shown and described.

DESCRIPTION

FIG. 1 is a top perspective view of a speaker grill for a motorcycle saddle bag lid showing my new design, wherein

the dot-dot-dash broken line circle is for the purpose of illustrating the boundary of the enlarged view of FIG. 2 and forms no part of the claimed design;

FIG. 2 is a partially enlarged view of the speaker grill of FIG. 1 taken from circle 2, wherein the dot-dot-dash broken line circle is for the purpose of illustrating the boundary of the enlarged view and forms no part of the claimed design;

FIG. 3 is a bottom perspective view of the speaker grill of FIG. 1 and FIG. 2;

FIG. 4 is a bottom plan view thereof;

FIG. 5 is a side elevation view thereof;

FIG. 6 is a rear elevation view thereof;

FIG. 7 is a top plan view thereof;

FIG. 8 is a side elevation view thereof, opposite the side shown in FIG. 5; and

FIG. 9 is a front elevation view thereof.

FIG. 10 is a top perspective view of a speaker grill for a motorcycle saddle bag lid showing a second embodiment of my new design, wherein the dot-dot-dash broken line circle is for the purpose of illustrating the boundary of the enlarged view of FIG. 11 and forms no part of the claimed design;

FIG. 11 is a partially enlarged view of the speaker grill of FIG. 10 taken from circle 11, wherein the dot-dot-dash broken line circle is for the purpose of illustrating the boundary of the enlarged view and forms no part of the claimed design;

FIG. 12 is a bottom perspective view of the speaker grill of FIG. 10 and FIG. 11;

FIG. 13 is a bottom plan view thereof;

FIG. 14 is a side elevation view thereof;

FIG. 15 is a rear elevation view thereof;

FIG. 16 is a top plan view thereof;

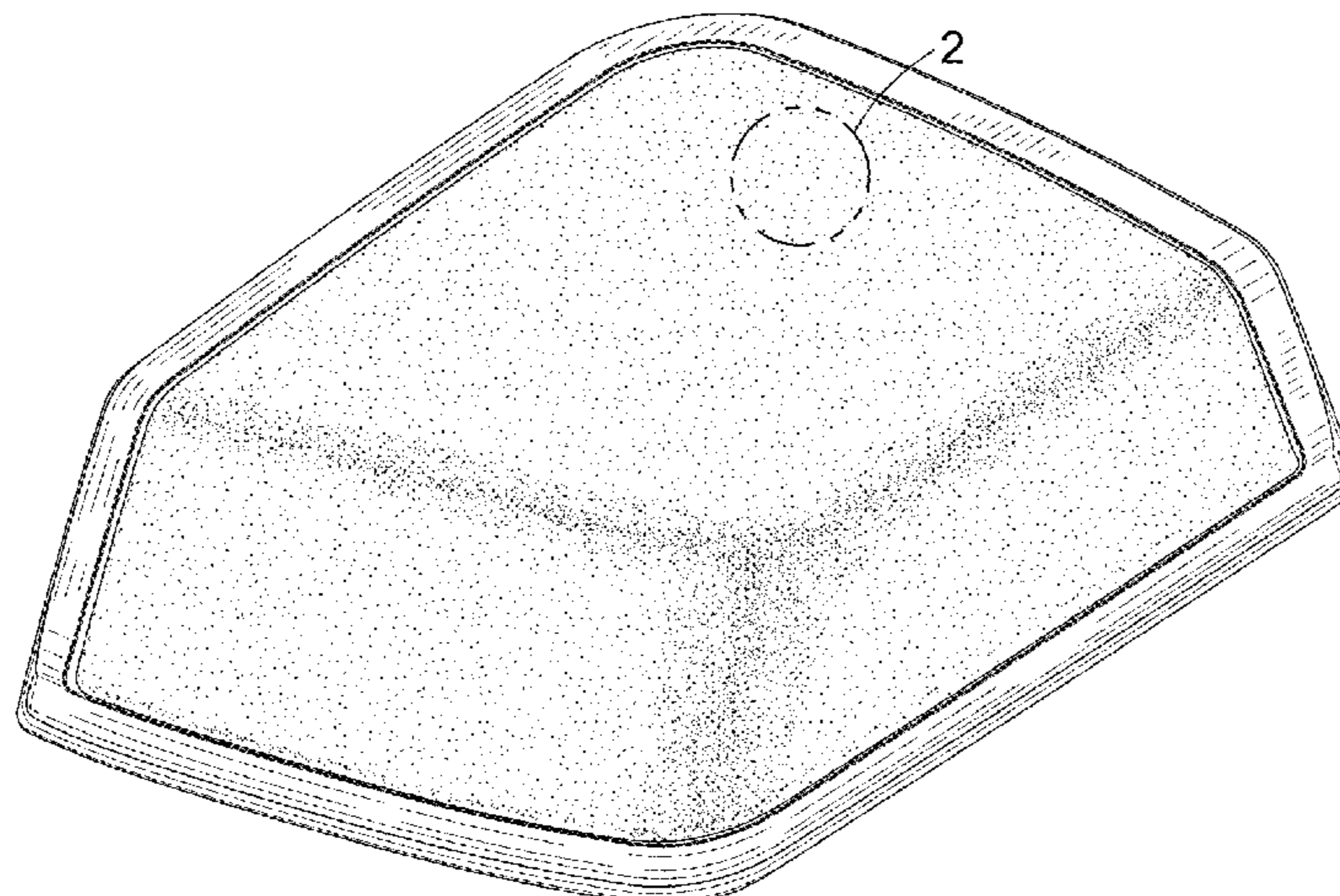
FIG. 17 is a side elevation view thereof, opposite the side shown in FIG. 14; and

FIG. 18 is a front elevation view thereof.

FIG. 19 is a top perspective view of a speaker grill for a motorcycle saddle bag lid showing a third embodiment of my new design, wherein the dot-dot-dash broken line circle is for the purpose of illustrating the boundary of the enlarged view of FIG. 20 and forms no part of the claimed design;

FIG. 20 is a partially enlarged view of the speaker grill of FIG. 19 taken from circle 20, wherein the dot-dot-dash

(Continued)



broken line circle is for the purpose of illustrating the boundary of the enlarged view and forms no part of the claimed design;

FIG. 21 is a bottom perspective view of the speaker grill of FIG. 20 and FIG. 21;

FIG. 22 is a bottom plan view thereof;

FIG. 23 is a side elevation view thereof;

FIG. 24 is a rear elevation view thereof;

FIG. 25 is a top plan view thereof;

FIG. 26 is a side elevation view thereof, opposite the side shown in FIG. 23; and

FIG. 27 is a front elevation view thereof.

FIG. 28 is a top perspective view of a speaker grill for a motorcycle saddle bag lid showing a fourth embodiment of my new design, wherein the dot-dot-dash broken line circle is for the purpose of illustrating the boundary of the enlarged view of FIG. 29 and forms no part of the claimed design;

FIG. 29 is a partially enlarged view of the speaker grill of FIG. 28 taken from circle 29, wherein the dot-dot-dash broken line circle is for the purpose of illustrating the boundary of the enlarged view and forms no part of the claimed design;

FIG. 30 is a bottom perspective view of the speaker grill of FIG. 28 and FIG. 29;

FIG. 31 is a bottom plan view thereof;

FIG. 32 is a side elevation view thereof;

FIG. 33 is a rear elevation view thereof;

FIG. 34 is a top plan view thereof;

FIG. 35 is a side elevation view thereof, opposite the side shown in FIG. 32; and,

FIG. 36 is a front elevation view thereof.

The pattern of through holes shown in FIG. 2 is understood to be evenly distributed over the stippled surfaces of the speaker grill as shown in FIG. 1. In a similar manner, it is also understood, that the stippling in FIG. 3 through FIG. 9 is used to represent the pattern of through holes shown in FIG. 2 as being evenly distributed over the stippled surfaces shown therein.

The pattern of through holes shown in FIG. 11 is understood to be evenly distributed over the stippled surfaces of the speaker grill as shown in FIG. 10. In a similar manner, it is also understood, that the stippling in FIG. 12 through FIG. 18 is used to represent the pattern of through holes shown in FIG. 11 as being evenly distributed over the stippled surfaces shown therein.

The pattern of through holes shown in FIG. 20 is understood to be evenly distributed over the stippled surfaces of the speaker grill as shown in FIG. 19. In a similar manner, it is also understood, that the stippling in FIG. 21 through FIG.

27 is used to represent the pattern of through holes shown in FIG. 20 as being evenly distributed over the stippled surfaces shown therein.

The pattern of through holes shown in FIG. 29 is understood to be evenly distributed over the stippled surfaces of the speaker grill as shown in FIG. 28. In a similar manner, it is also understood, that the stippling in FIG. 30 through FIG. 36 is used to represent the pattern of through holes shown in FIG. 29 as being evenly distributed over the stippled surfaces shown therein.

The enlarged texture patterns illustrated in FIGS. 2, 11, 20 and 29 are applied uniformly within the area circumscribed of the speaker grill.

1 Claim, 12 Drawing Sheets

(58) Field of Classification Search

CPC B62J 9/00; B62J 9/001; B62J 7/04; B62J 7/00; B62K 11/06

See application file for complete search history.

(56) References Cited

U.S. PATENT DOCUMENTS

D419,953	S *	2/2000	Davidson	D12/114
6,298,943	B1 *	10/2001	Yamada	H04R 5/02 181/149
D450,632	S *	11/2001	Morgan	D12/114
D461,748	S *	8/2002	Morgan	D12/114
D603,760	S *	11/2009	Gregory	D12/114
D615,908	S *	5/2010	Ditterline	D12/114
D625,708	S *	10/2010	Files	D12/114
D688,195	S *	8/2013	Robinson	D12/409
D699,708	S *	2/2014	Files	D12/114
D699,709	S *	2/2014	Files	D12/114
D729,129	S *	5/2015	Hinsey	D12/114
D729,130	S *	5/2015	Hinsey	D12/114
D729,131	S *	5/2015	Hinsey	D12/114
D729,701	S *	5/2015	Hinsey	D12/114
D733,095	S *	6/2015	Pesdirz	D12/114
D764,355	S *	8/2016	Hinsey	D12/114
D764,356	S *	8/2016	Hinsey	D12/114
D764,357	S *	8/2016	Hinsey	D12/114
D764,358	S *	8/2016	Hinsey	D12/114
D806,052	S *	12/2017	Pesdirz	D14/204
10,112,671	B1 *	10/2018	Yaffe	B62J 99/00
2009/0296956	A1 *	12/2009	Gregory	B62J 99/00 381/86

* cited by examiner

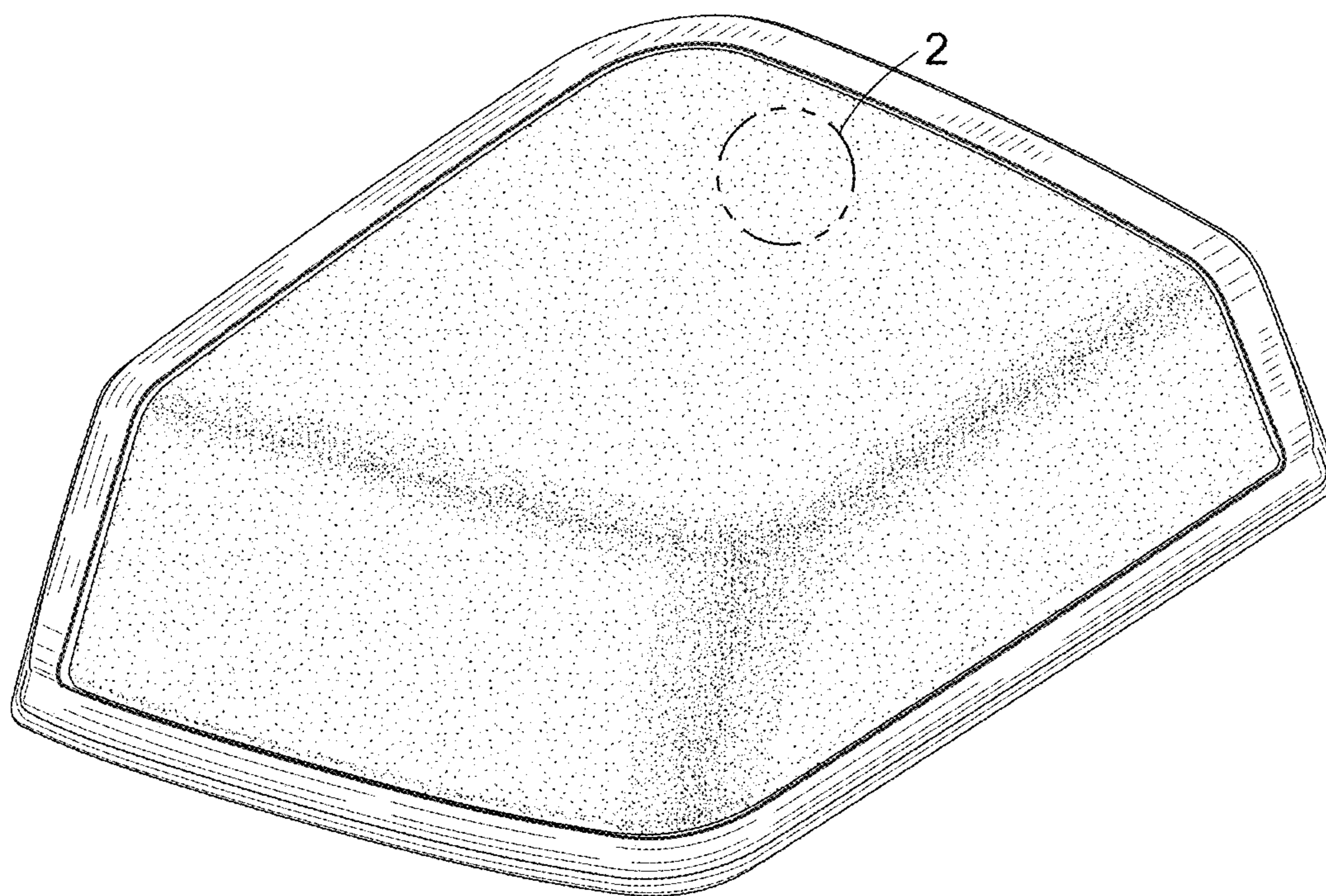


FIG. 1

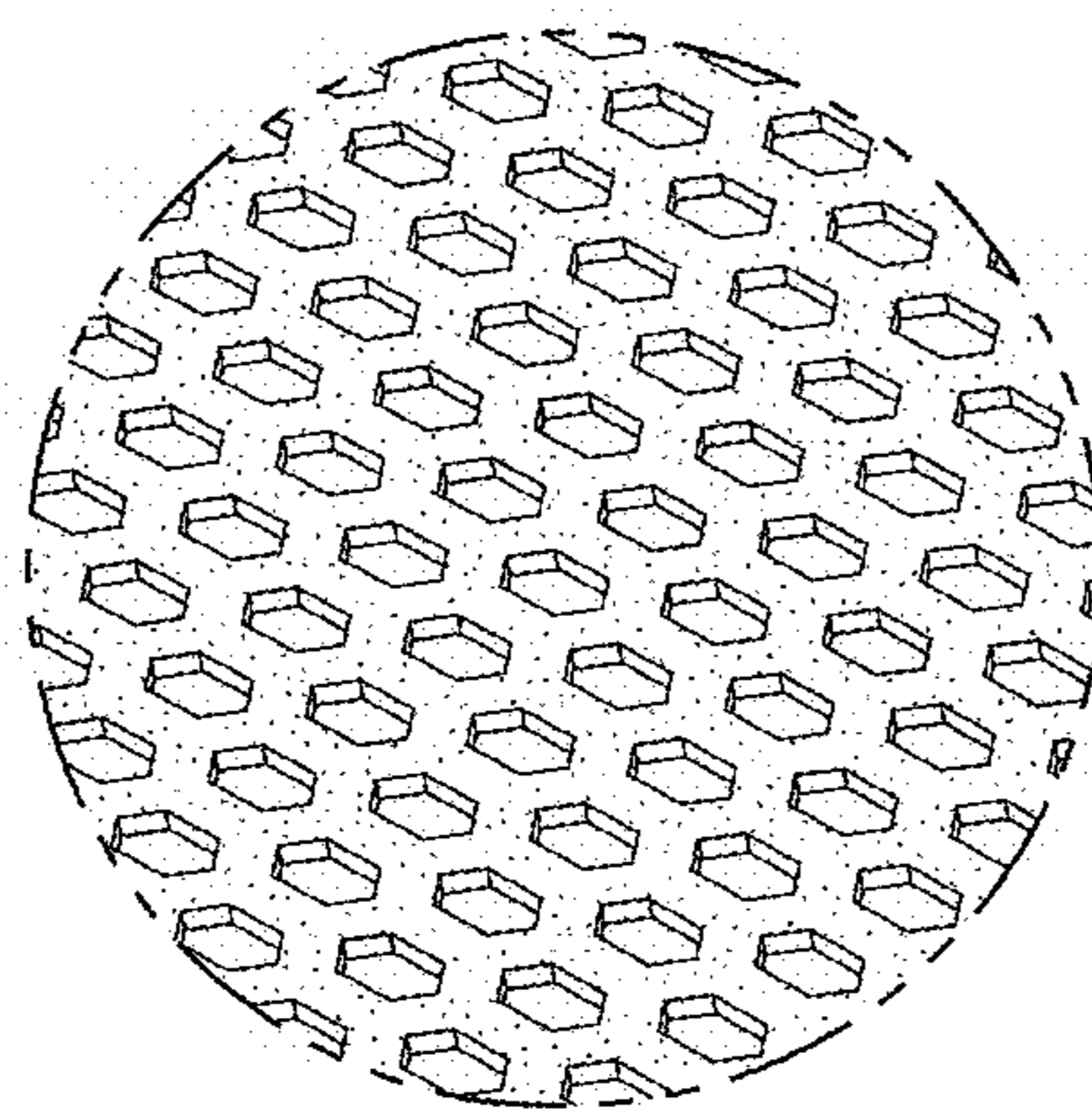


FIG. 2

FIG. 3

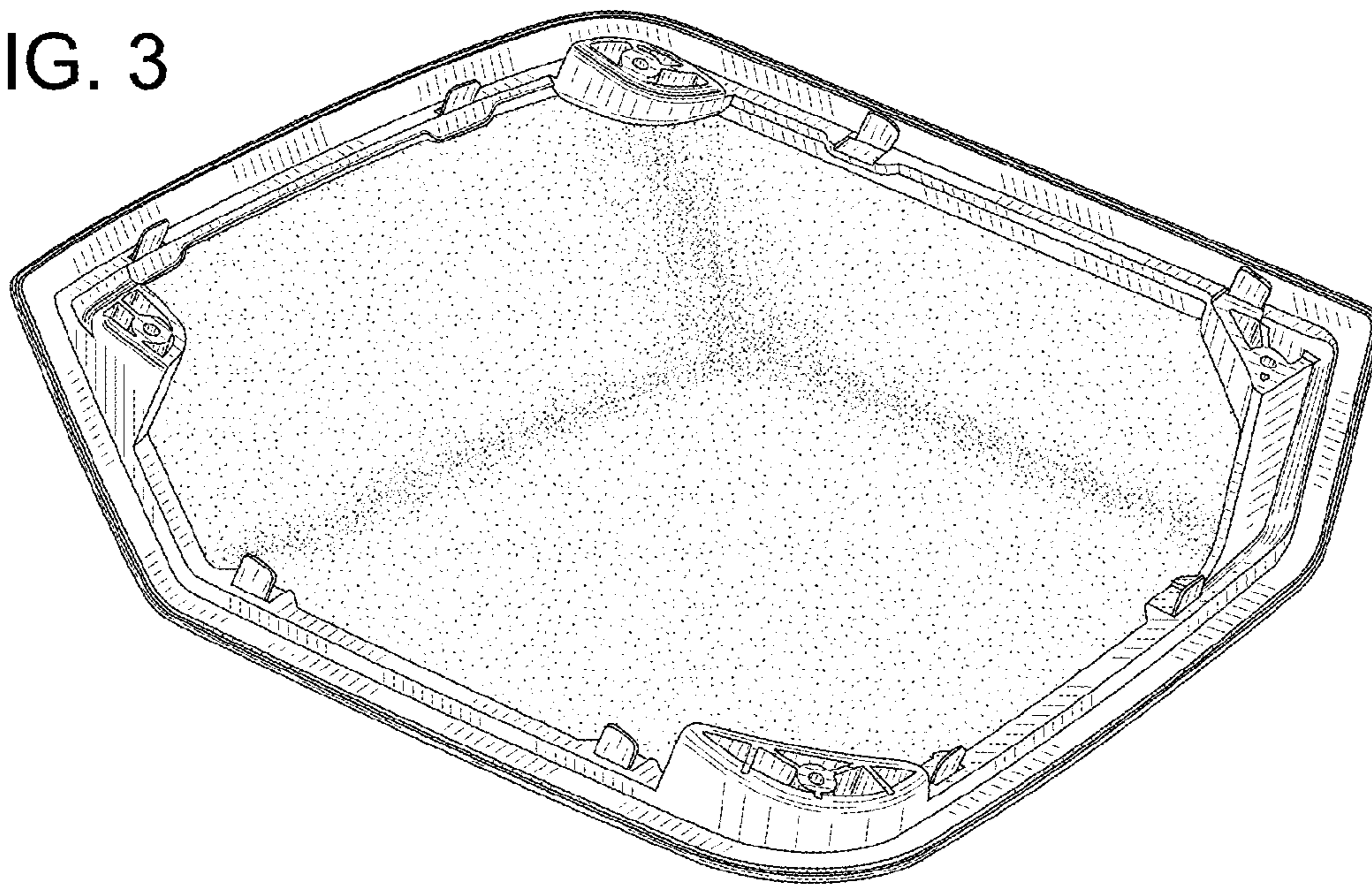


FIG. 4

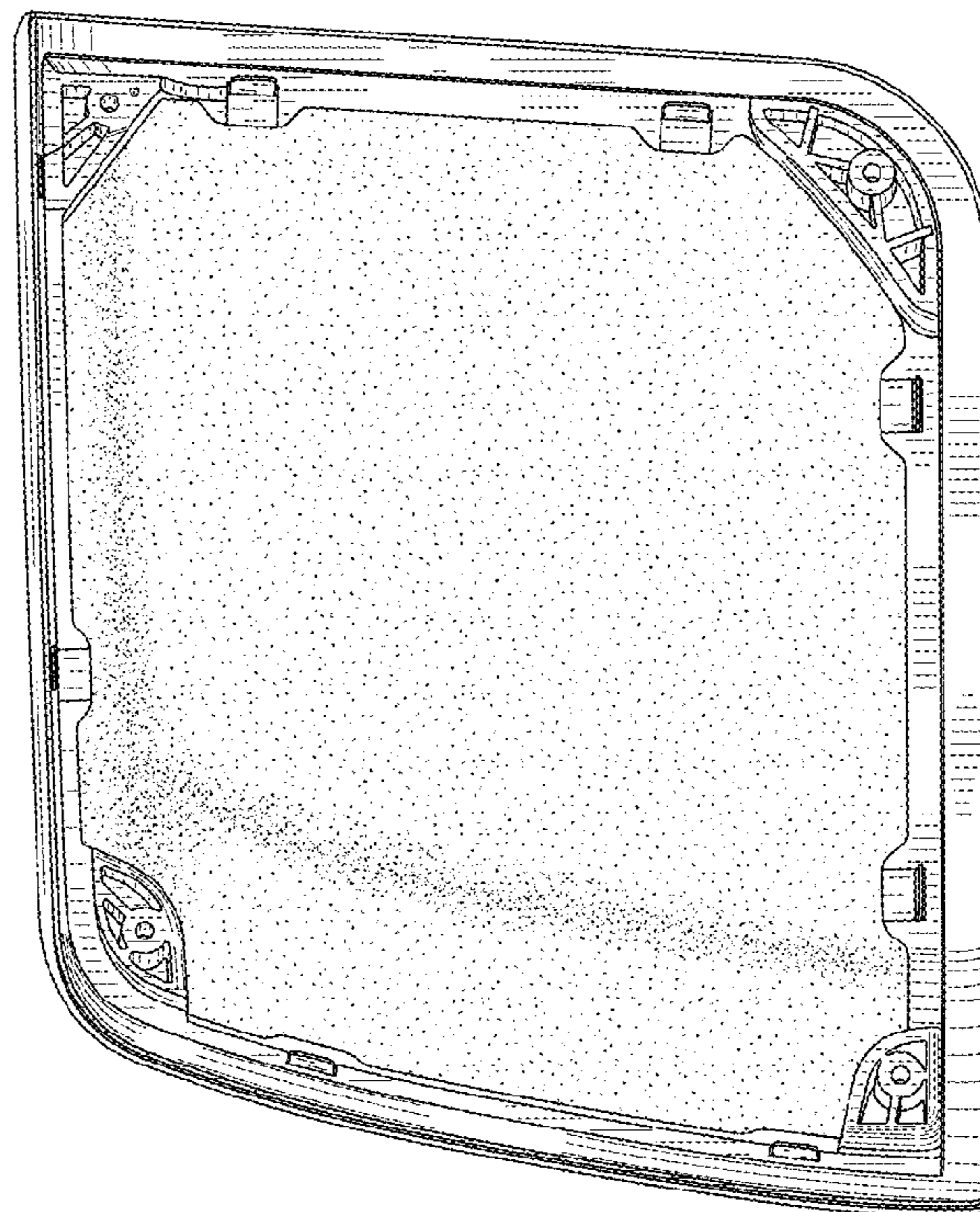


FIG. 5

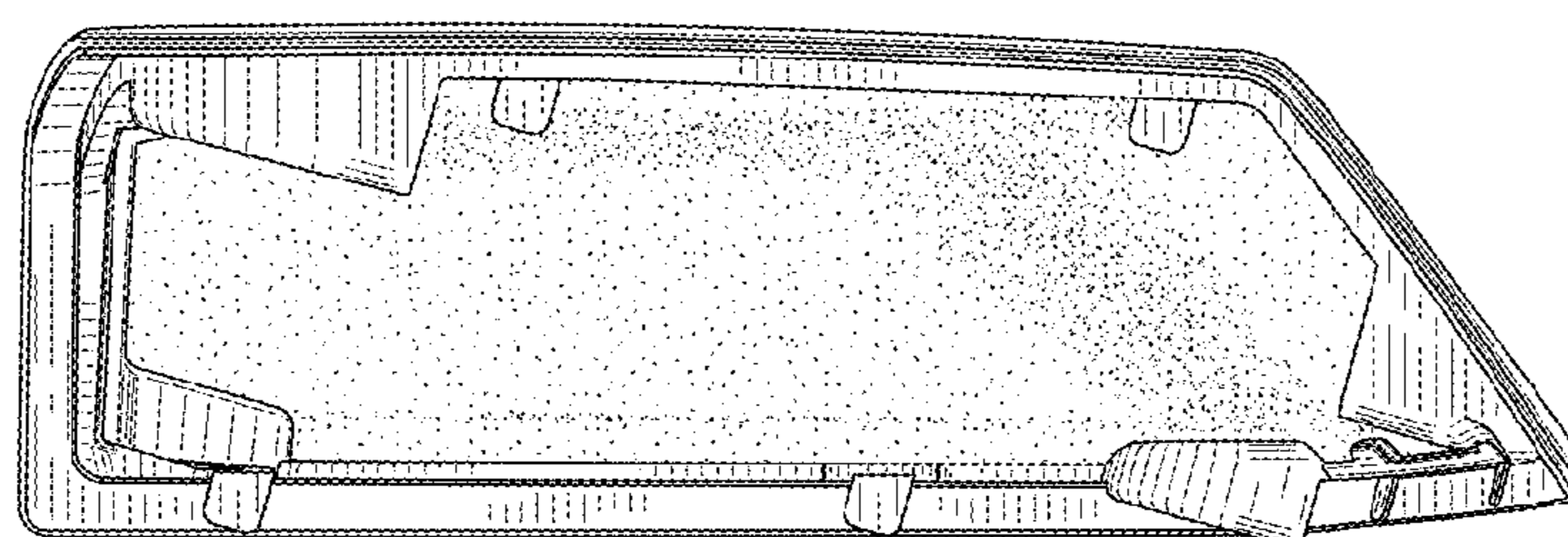


FIG. 6

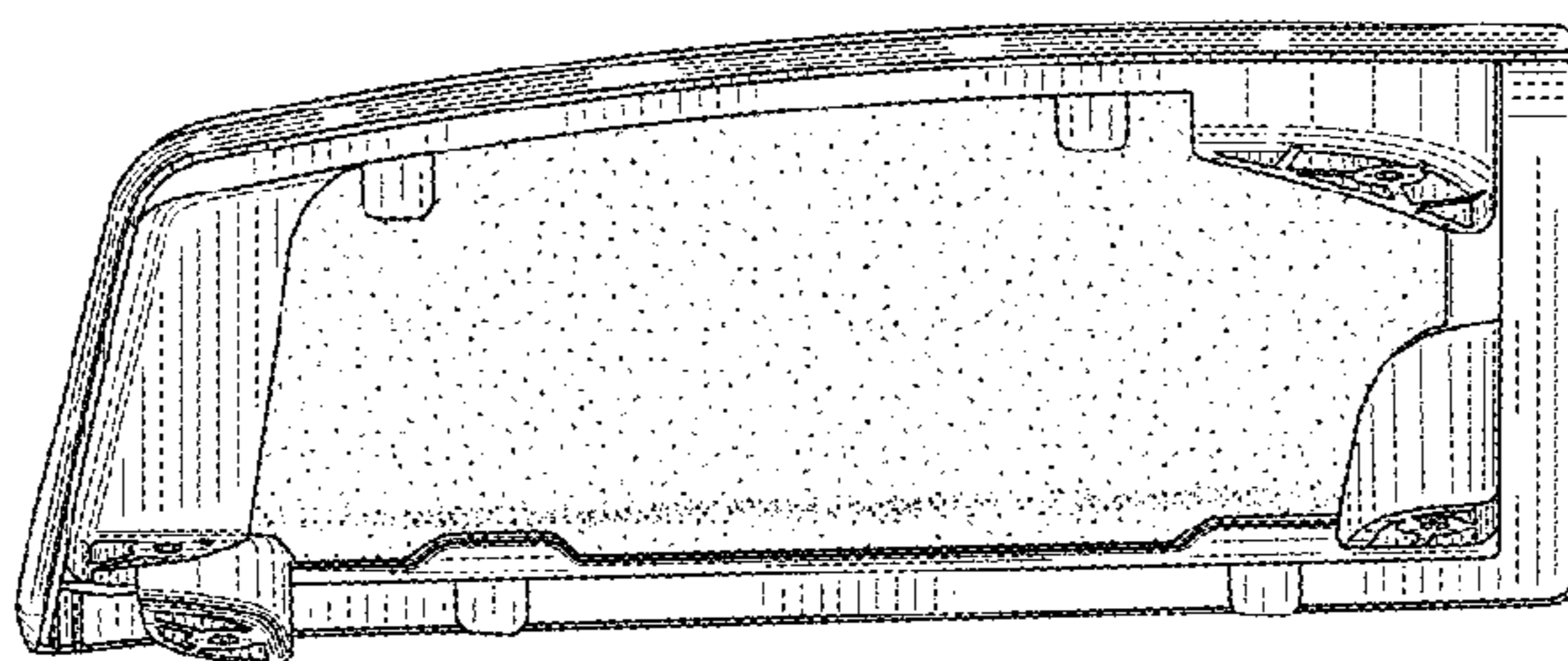


FIG. 7

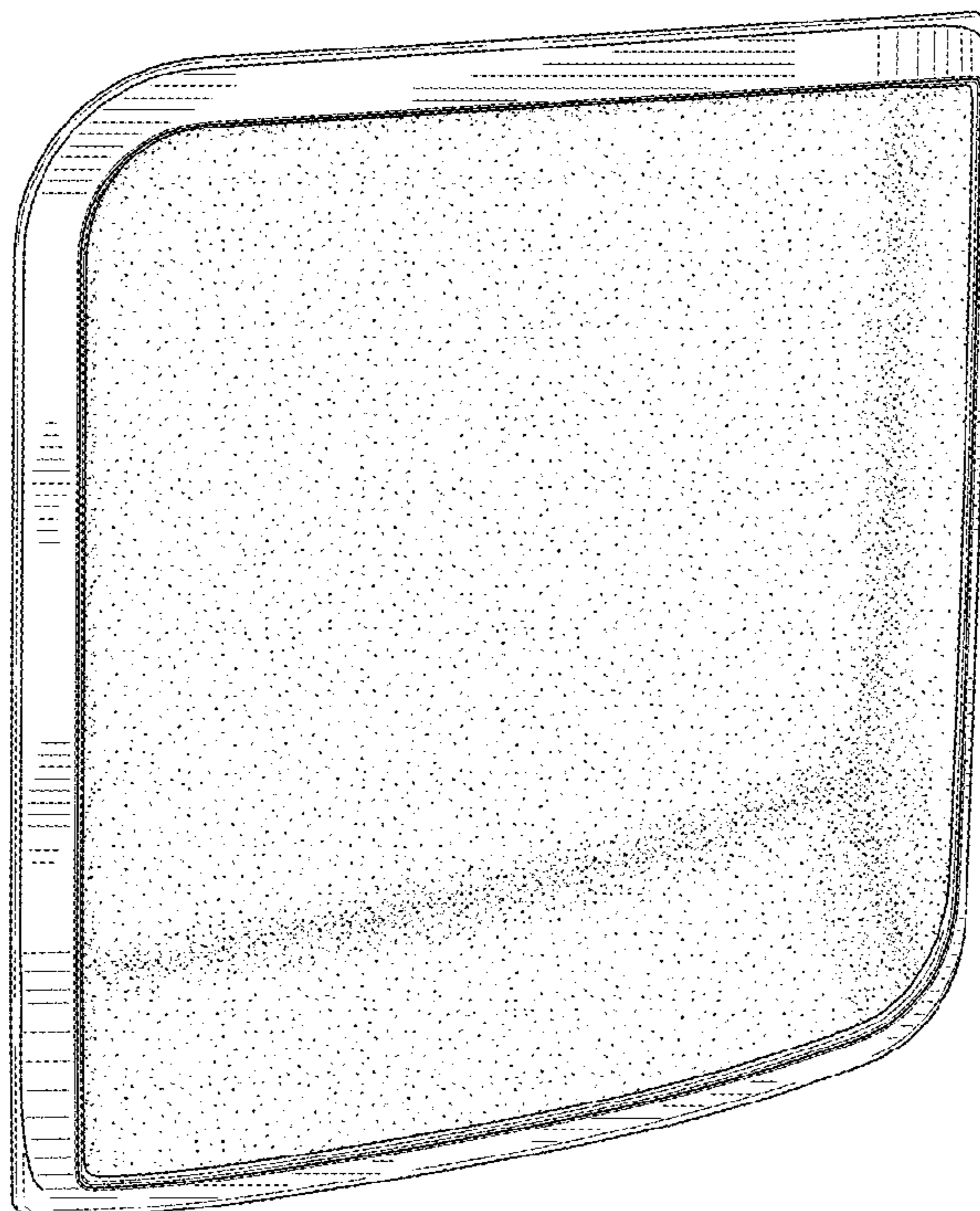
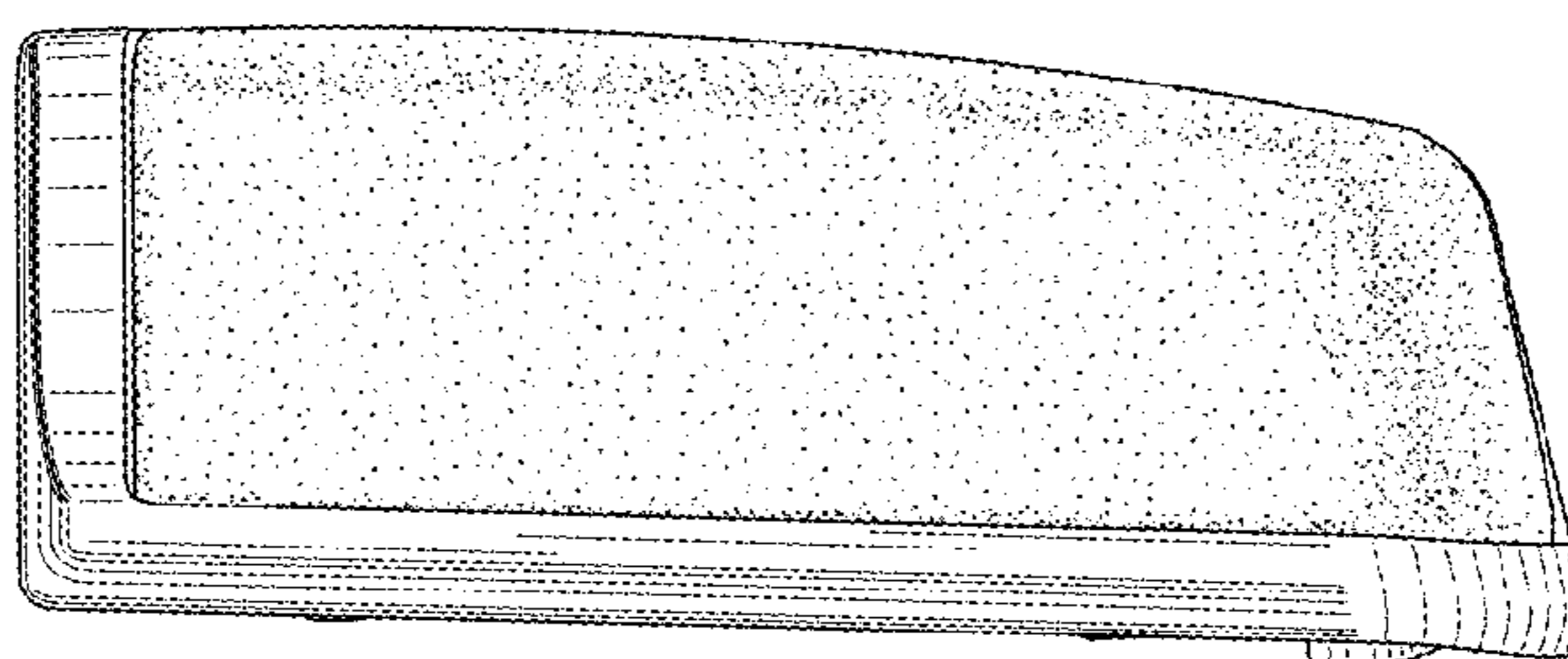


FIG. 8



FIG. 9



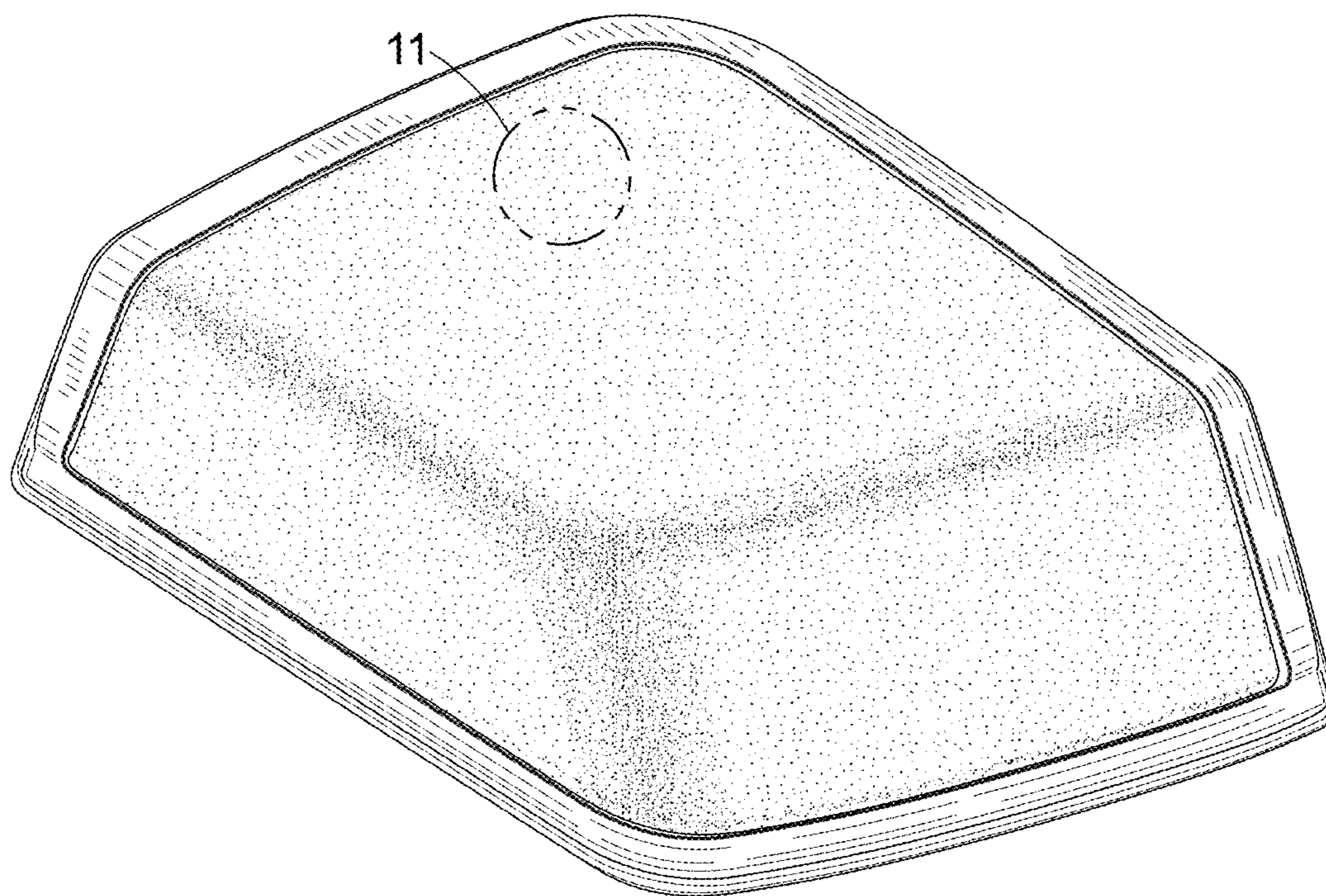


FIG. 10

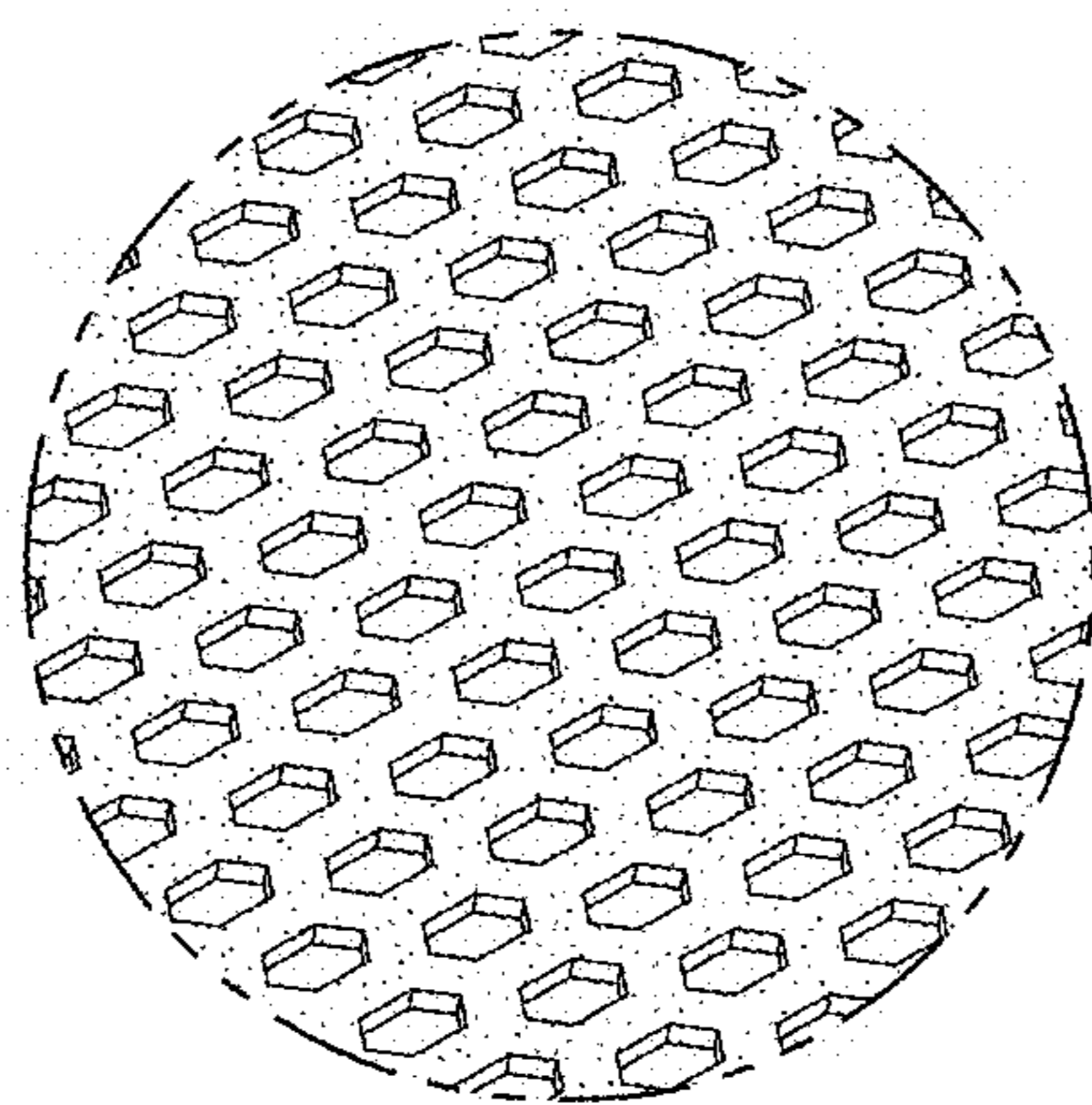


FIG. 11

FIG. 12

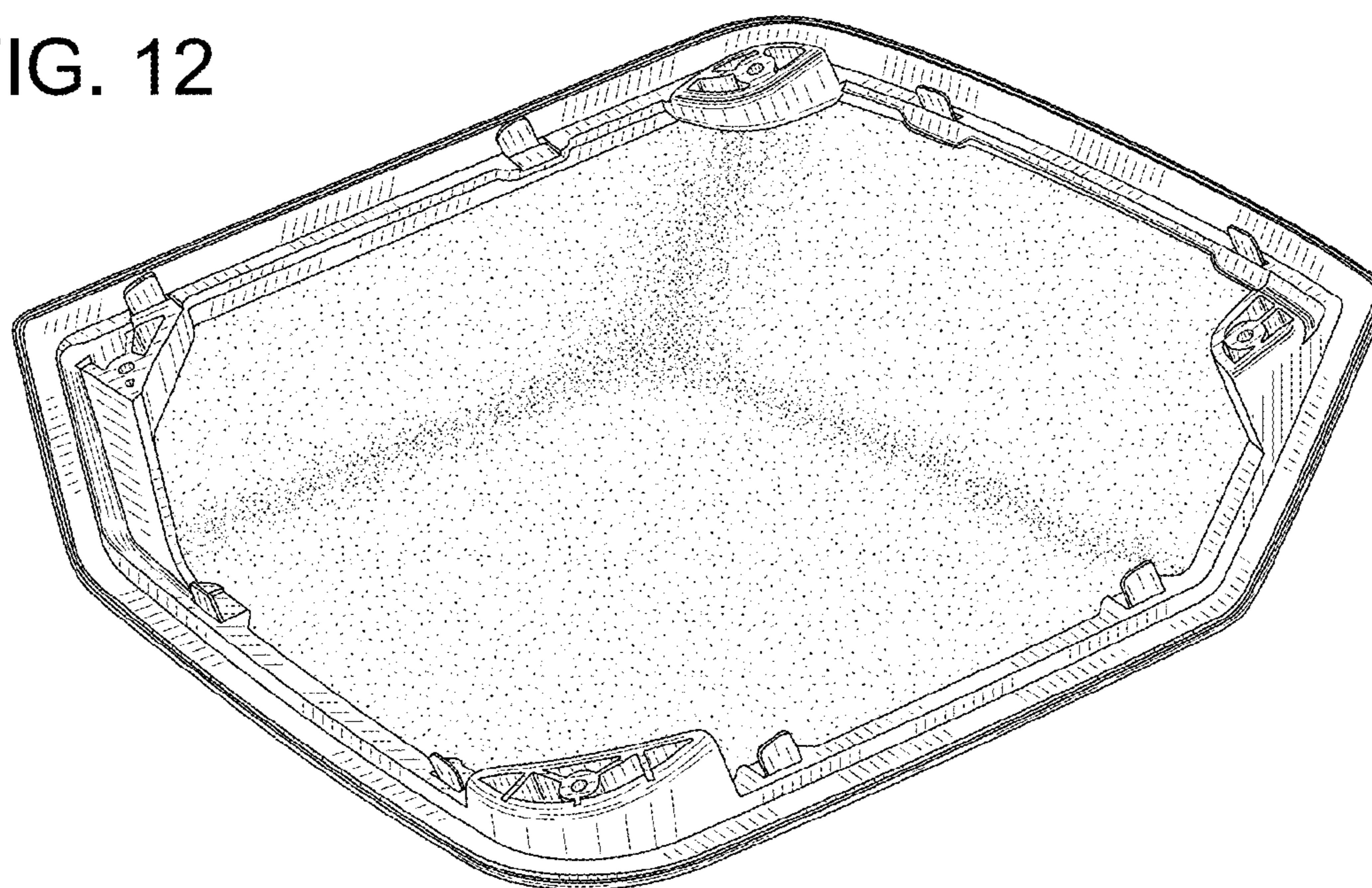


FIG. 13

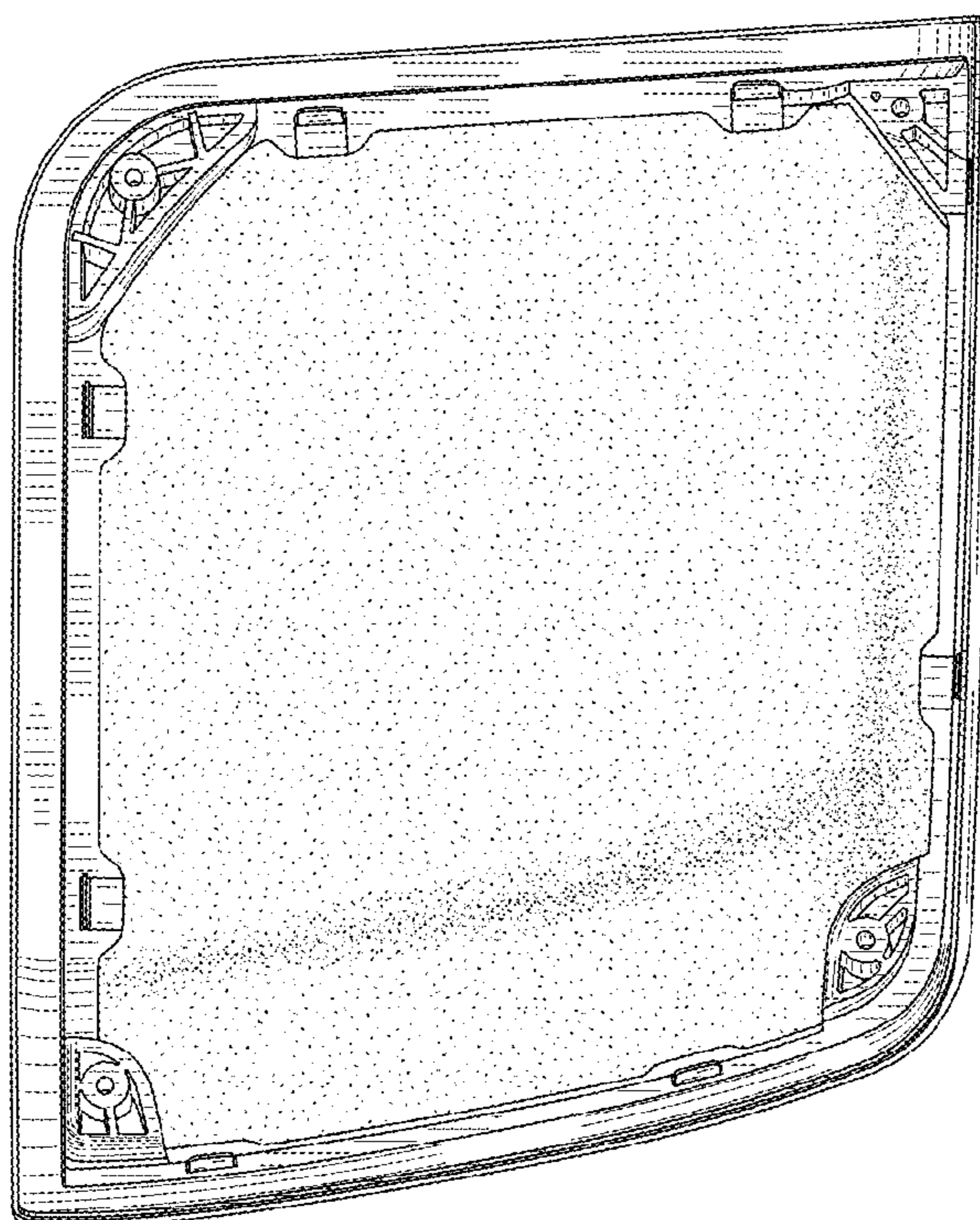


FIG. 14

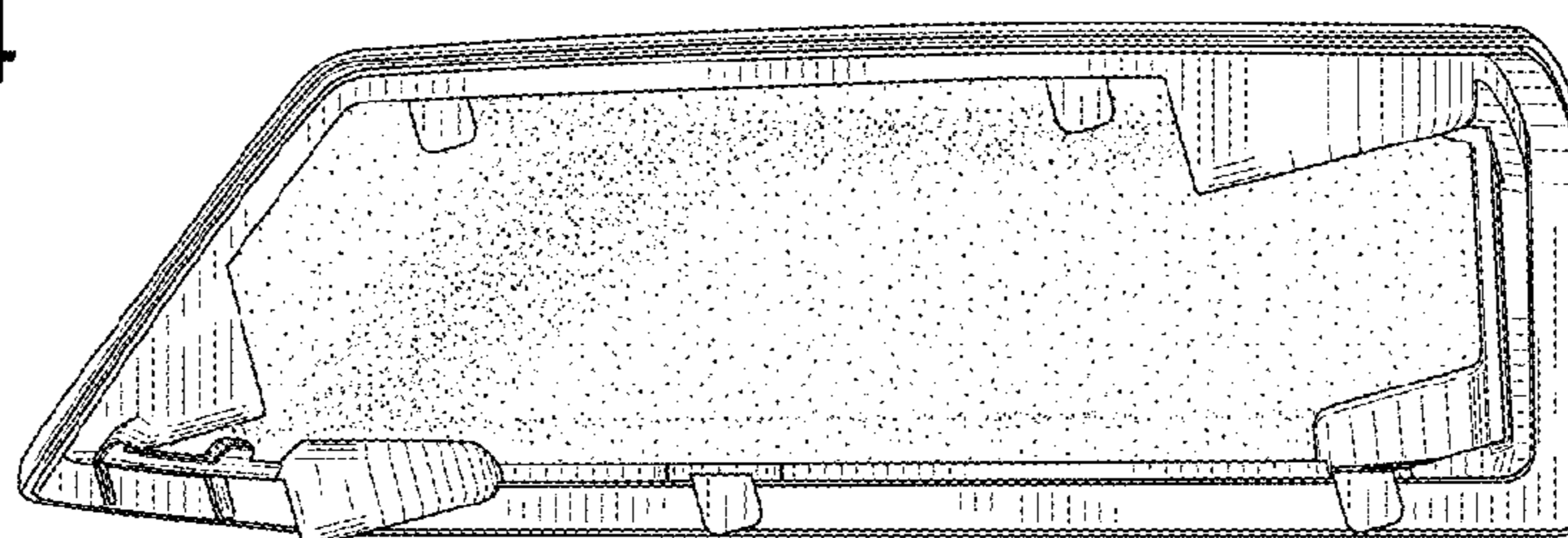


FIG. 15

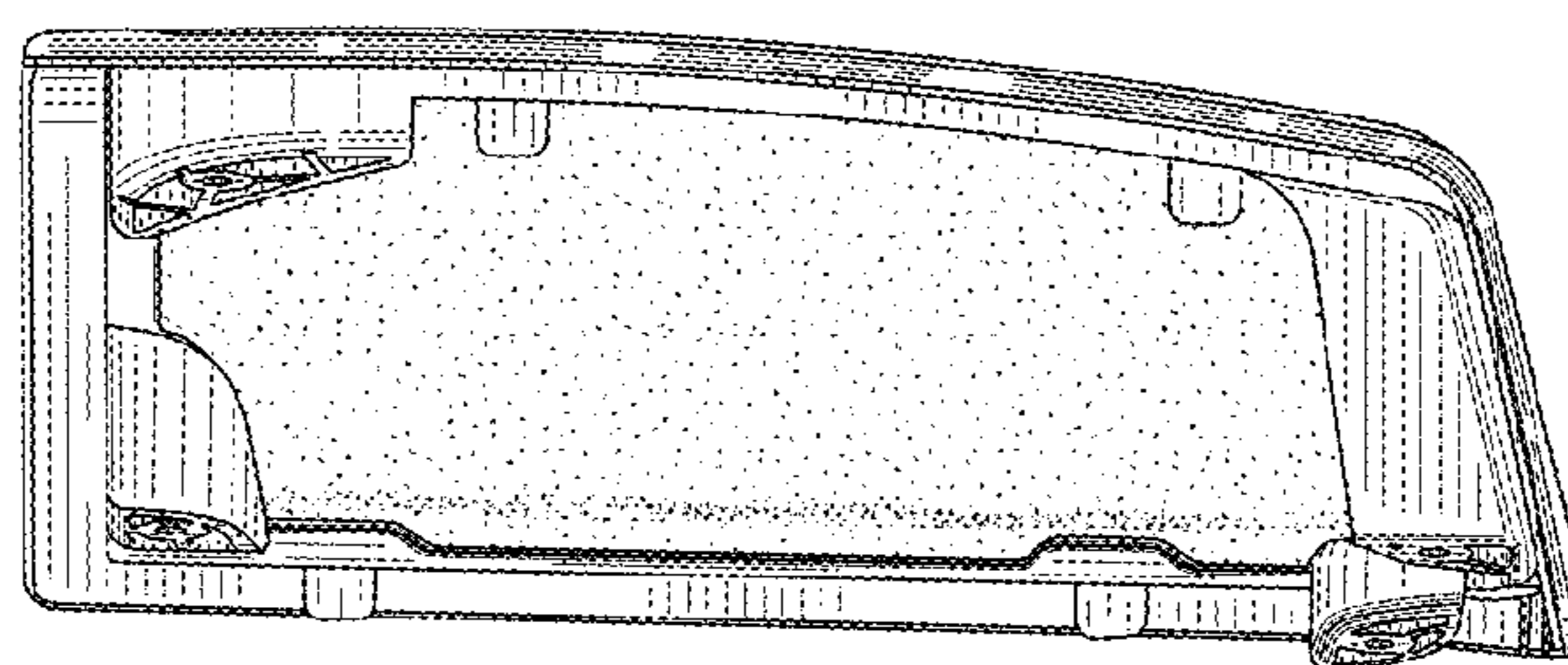


FIG. 16

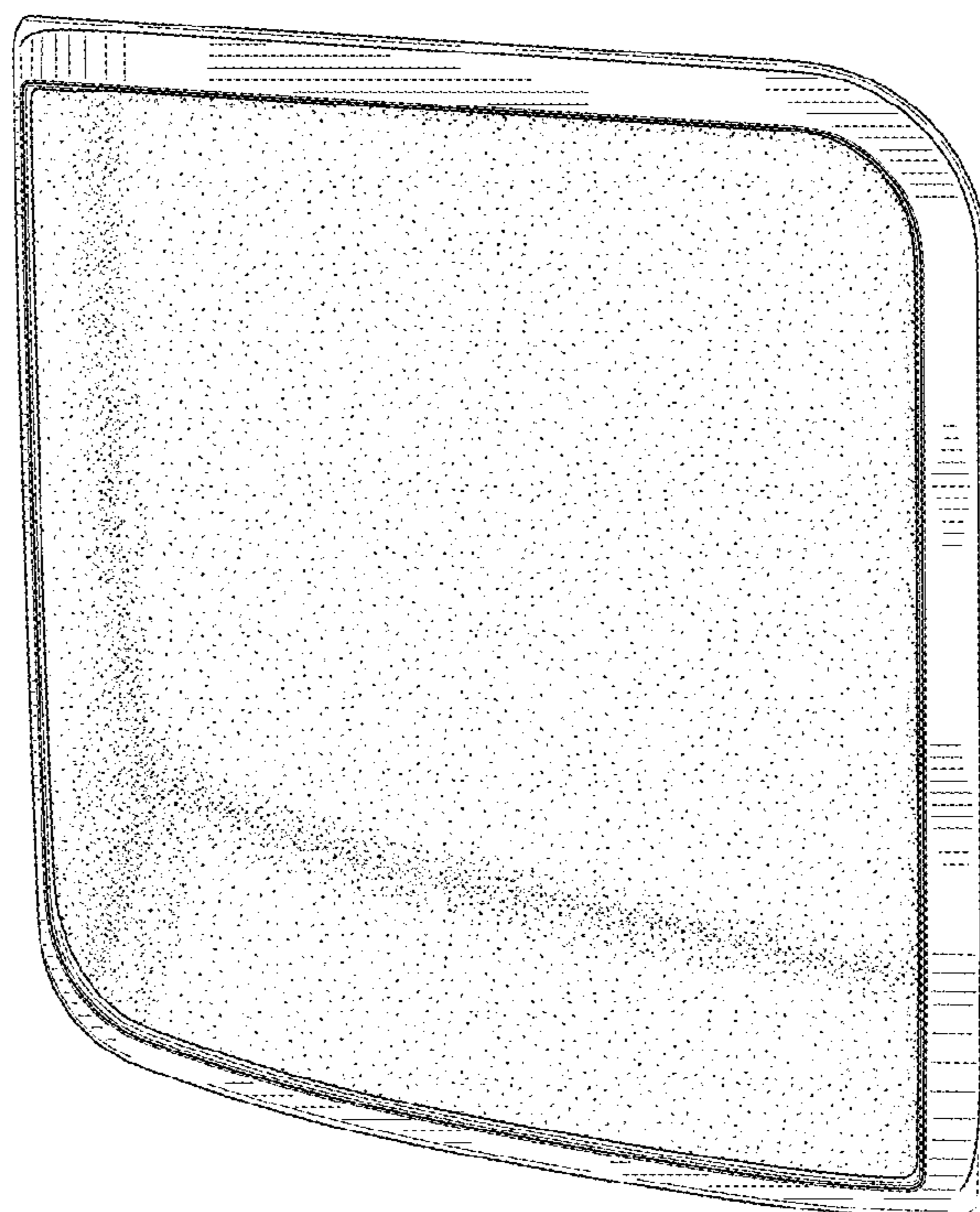


FIG. 17

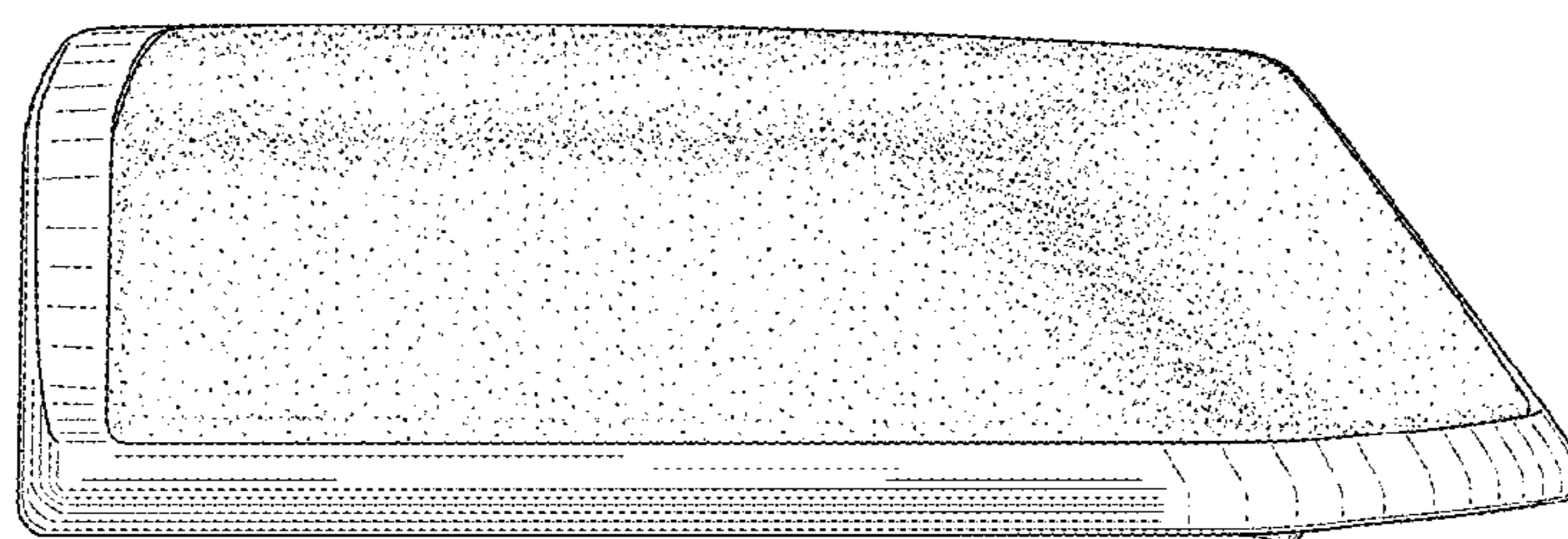
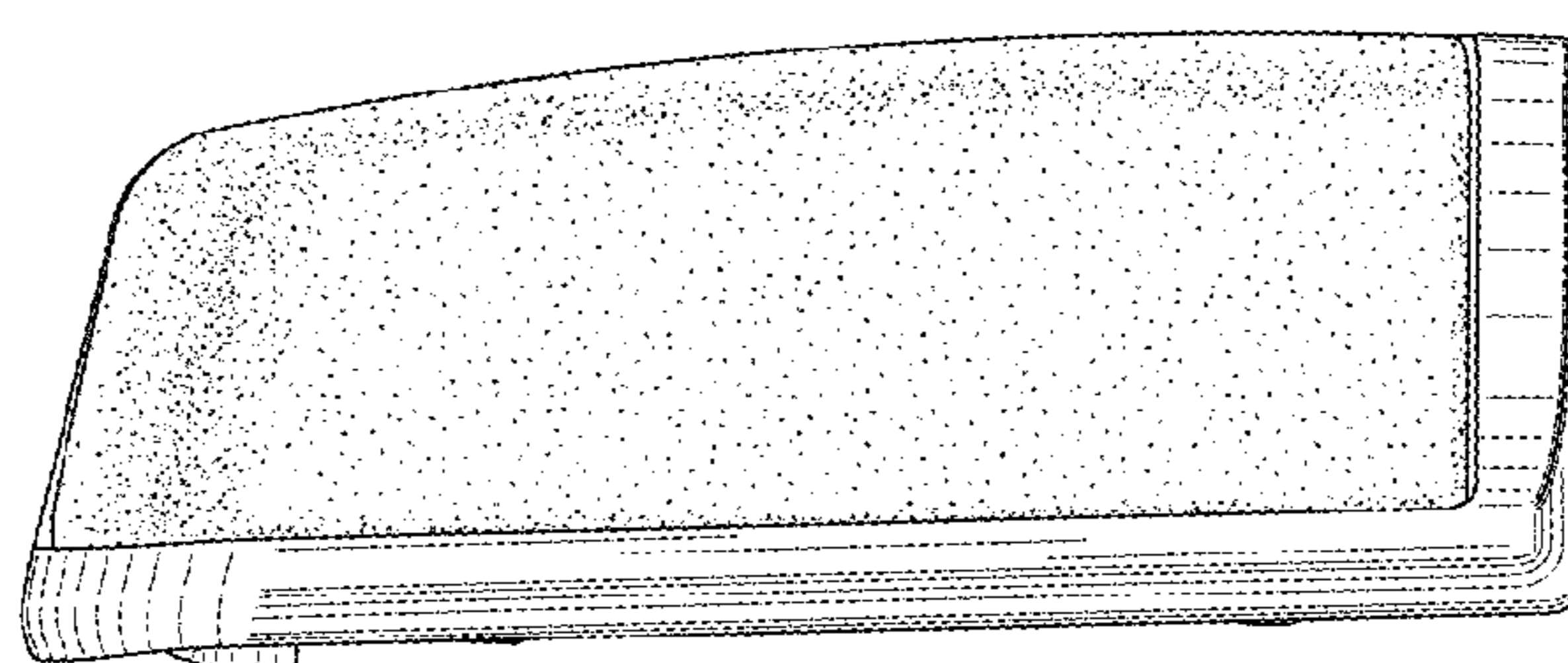


FIG. 18



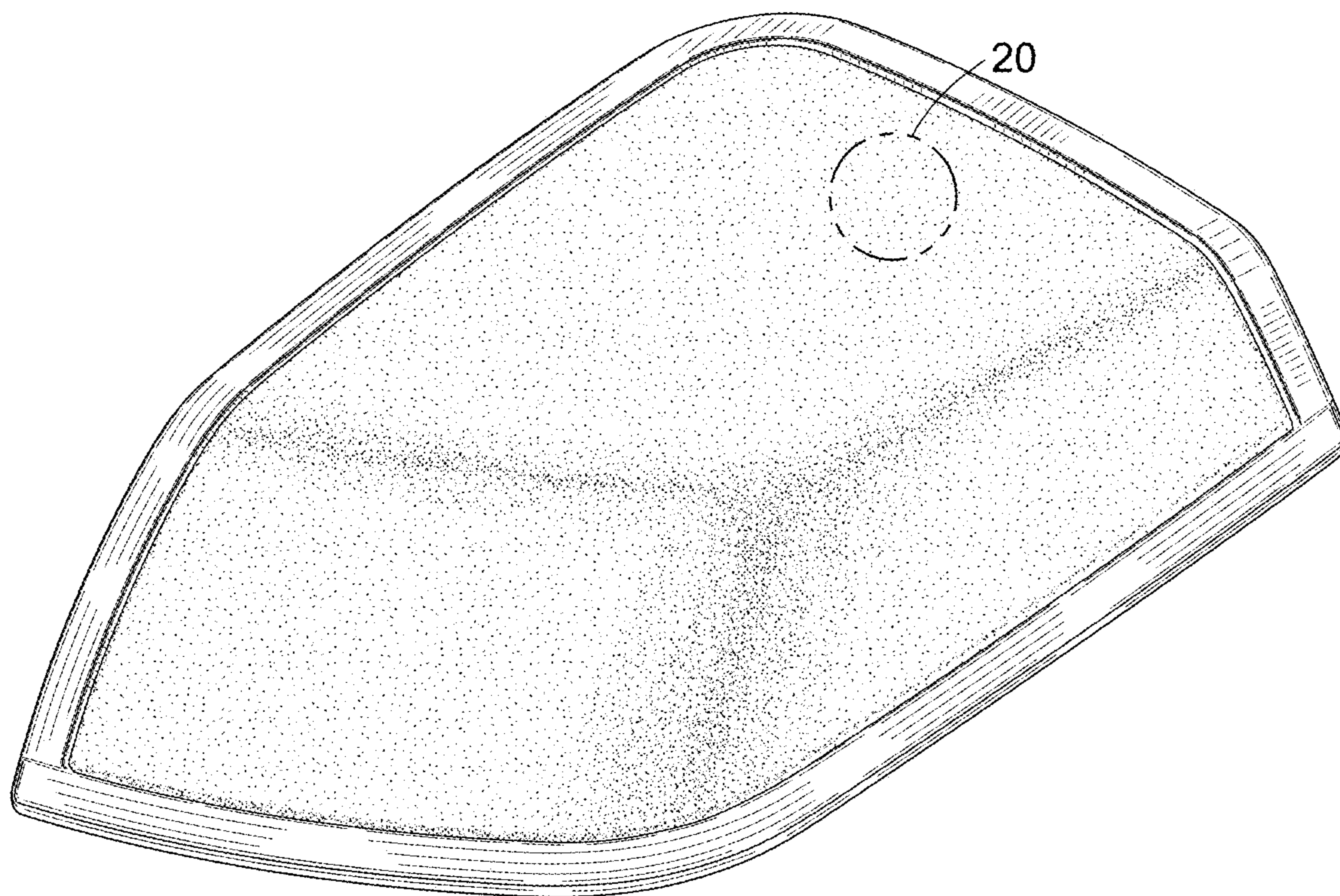


FIG. 19

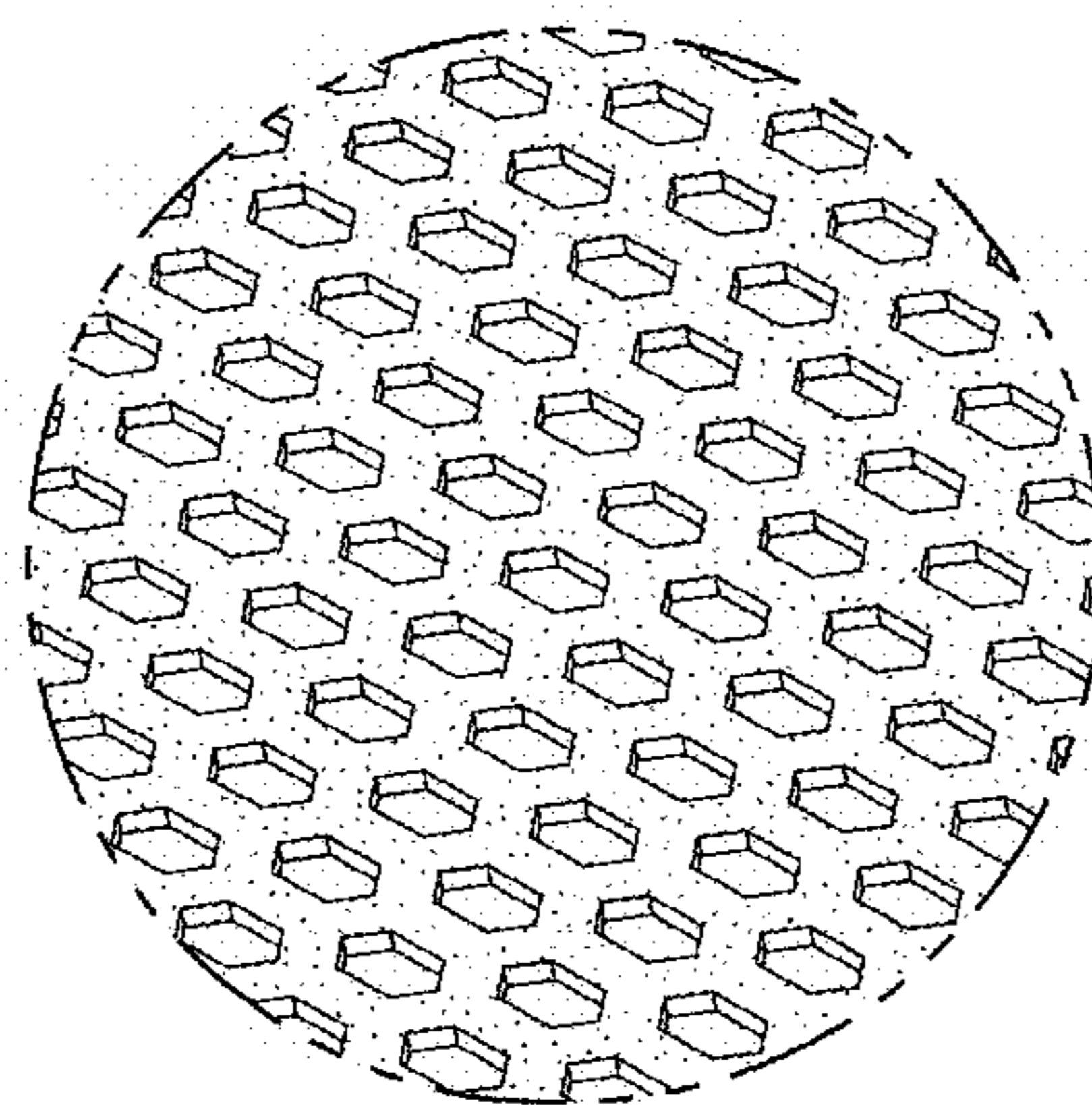


FIG. 20

FIG. 21

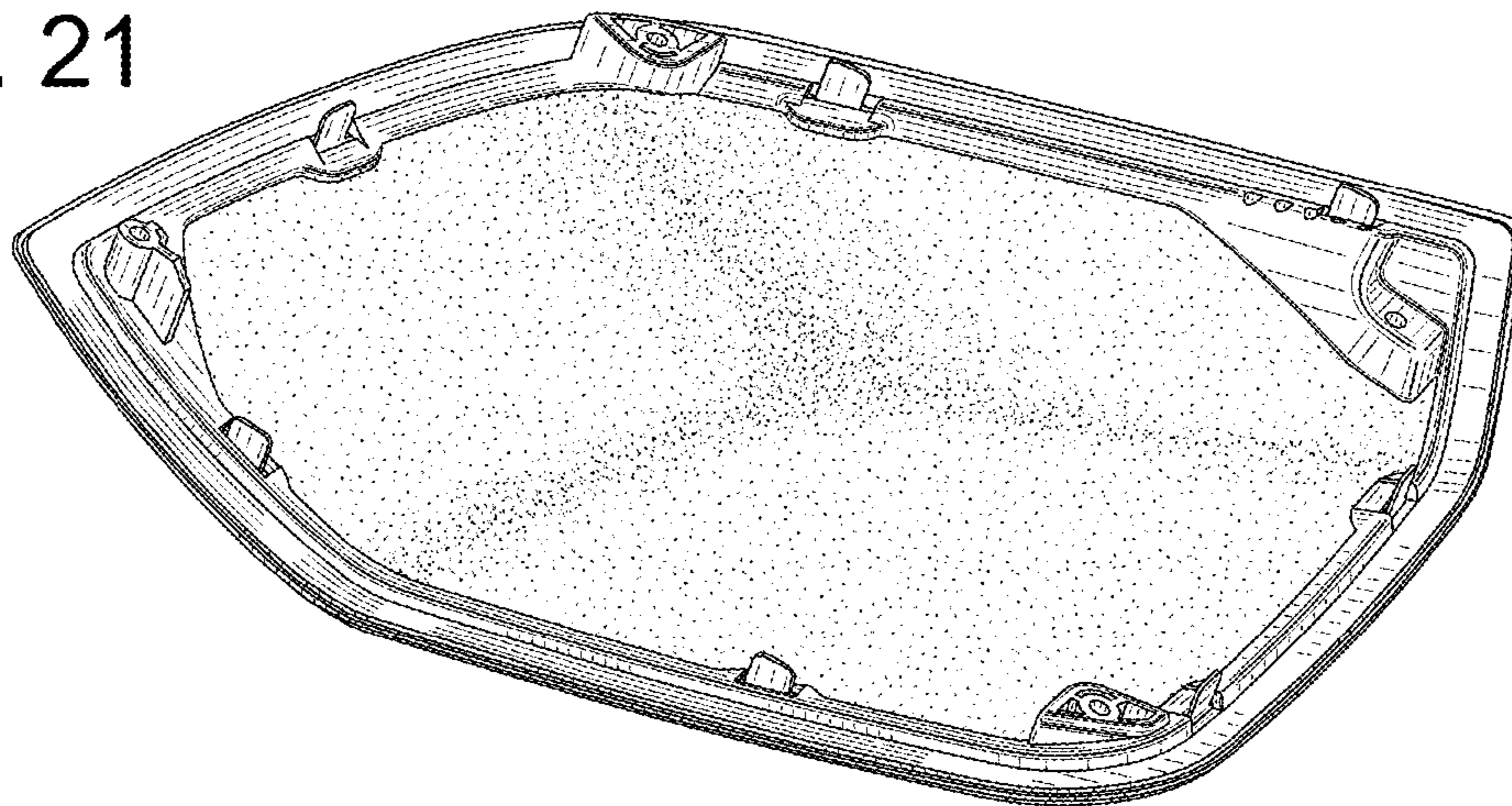


FIG. 22

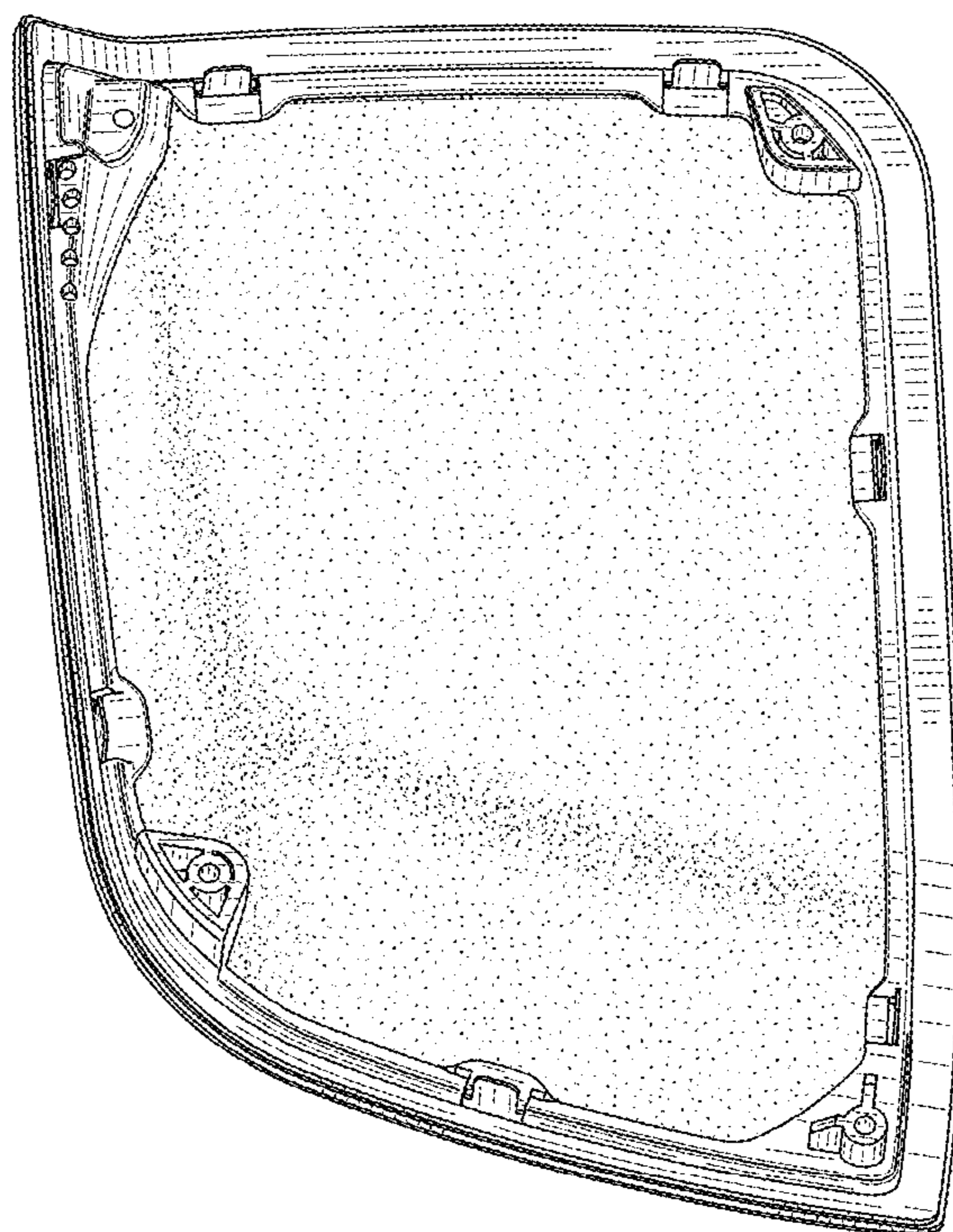


FIG. 23

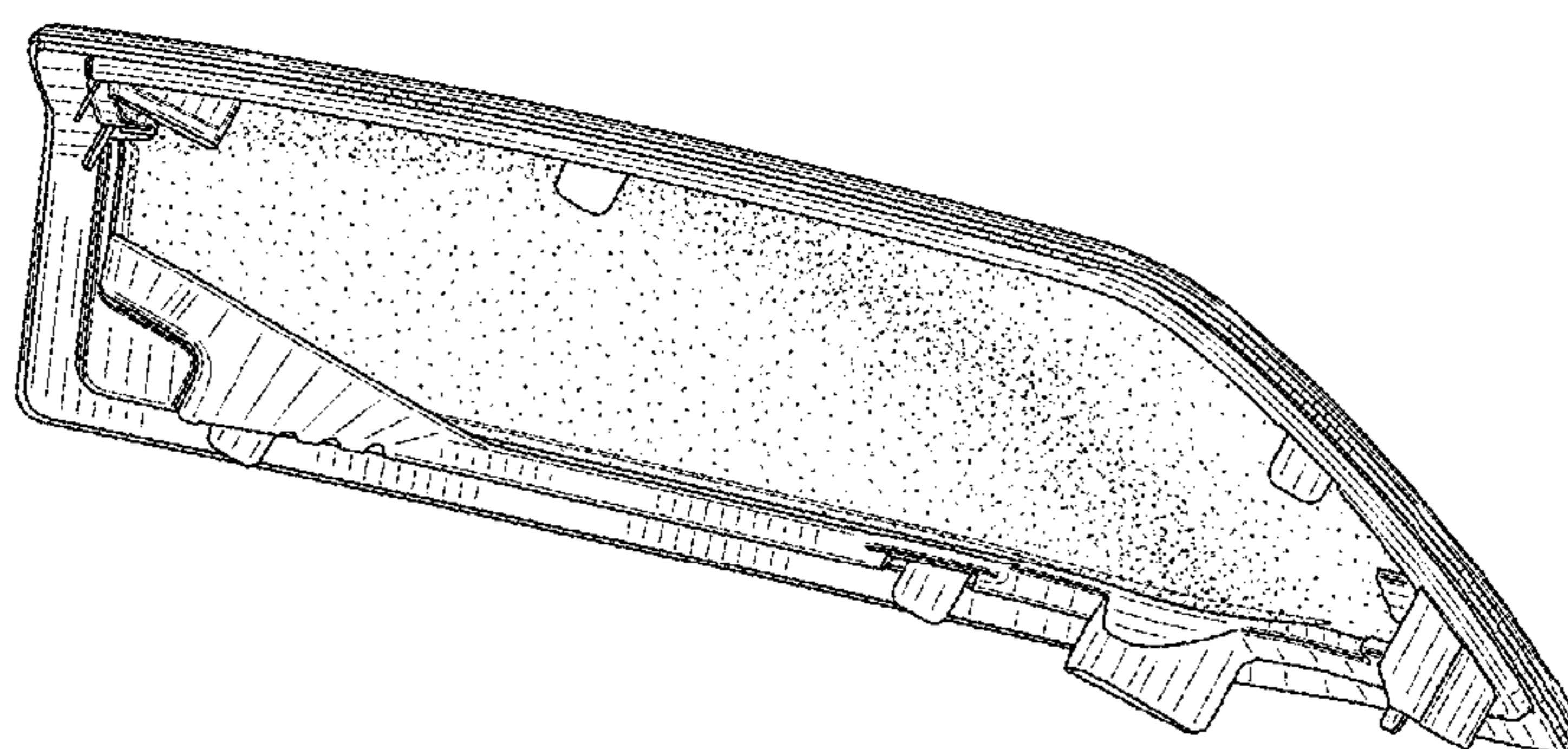


FIG. 24

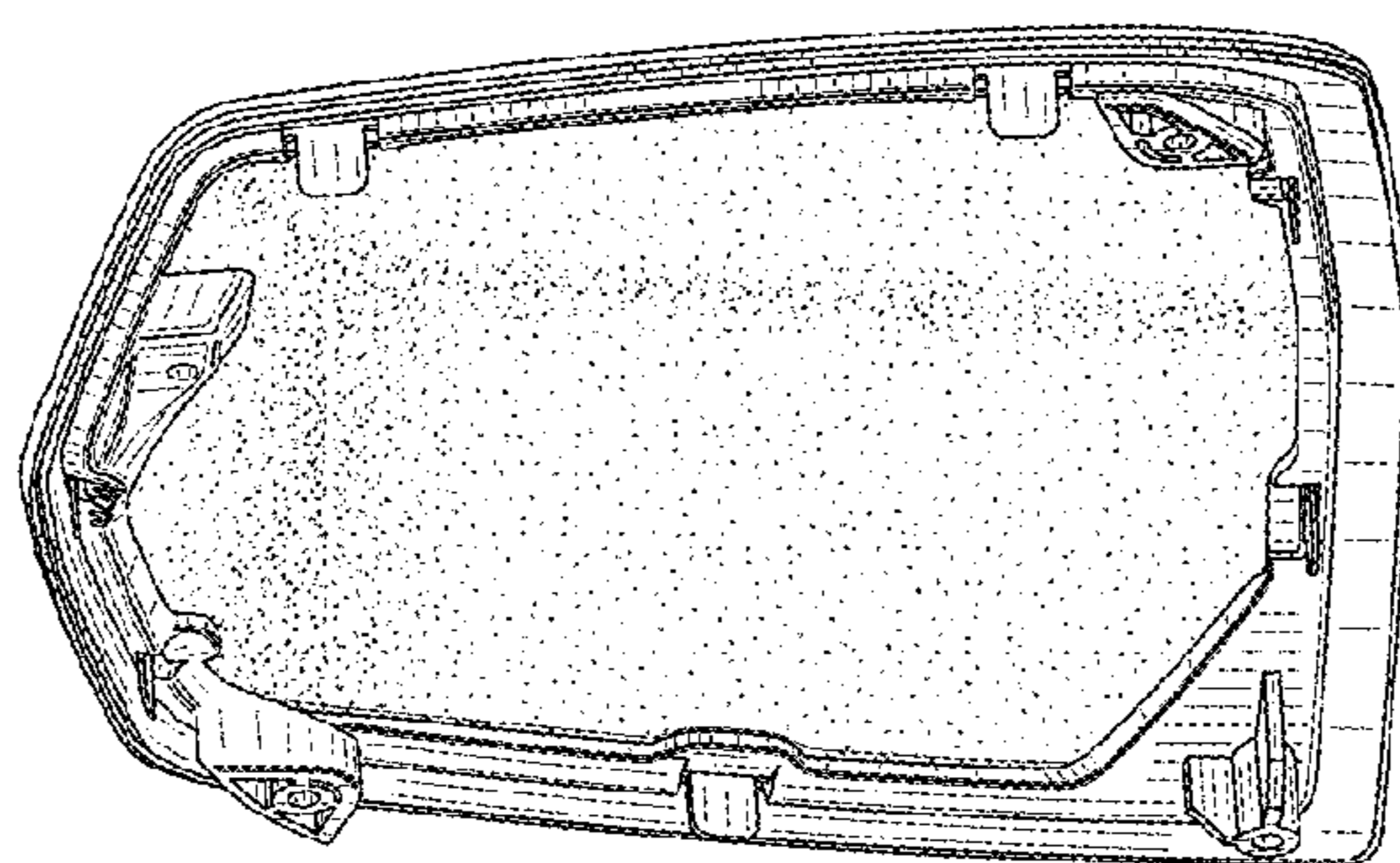


FIG. 25

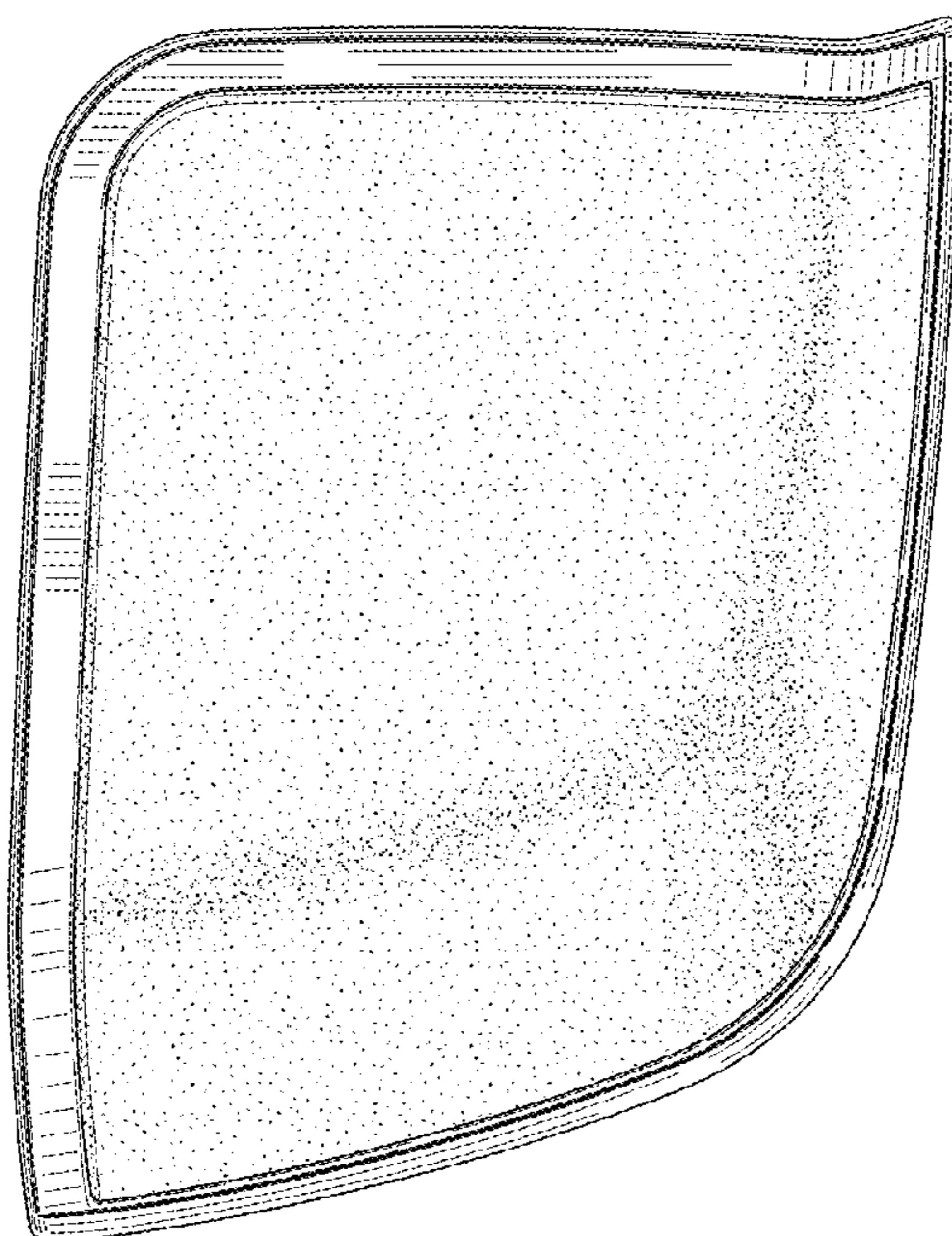


FIG. 26

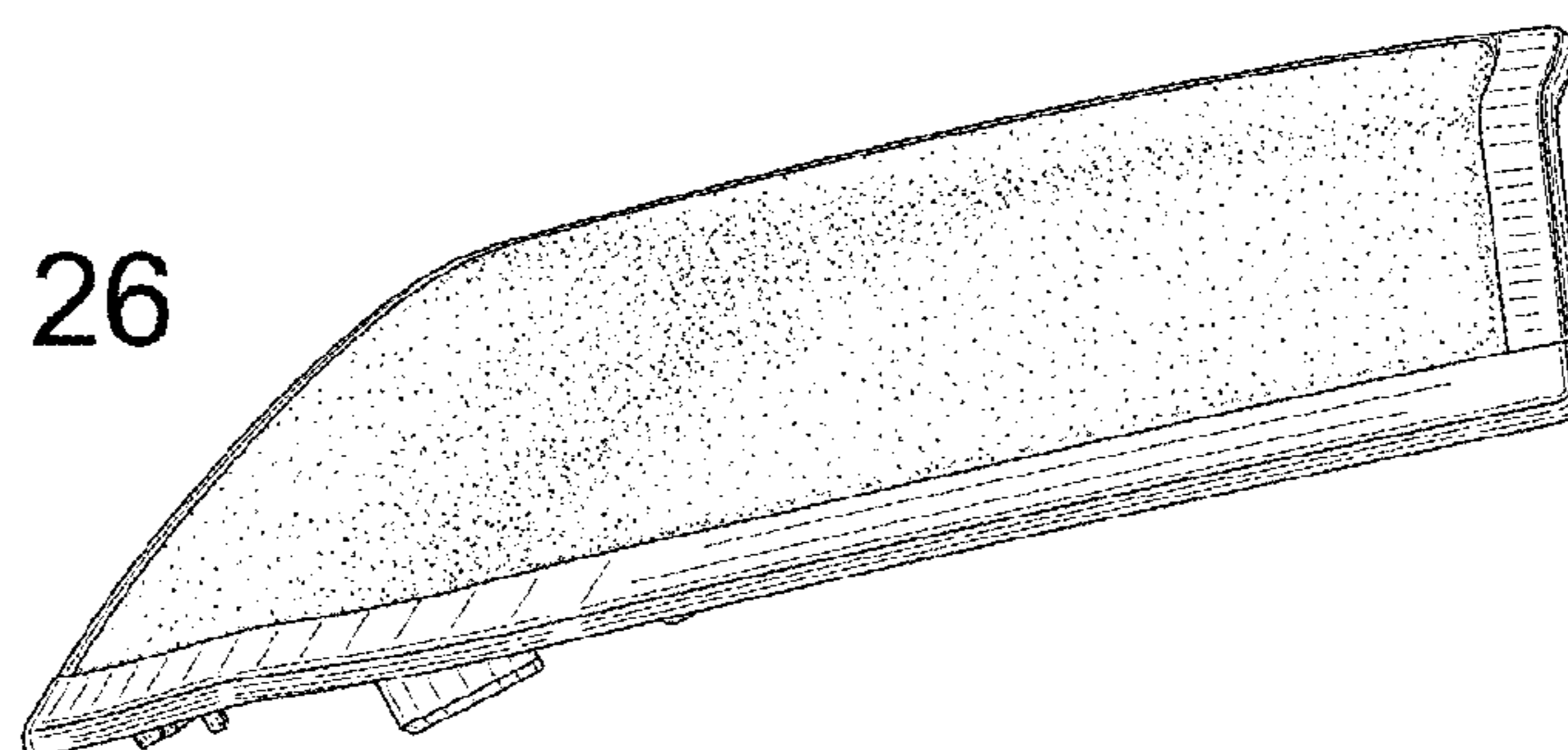
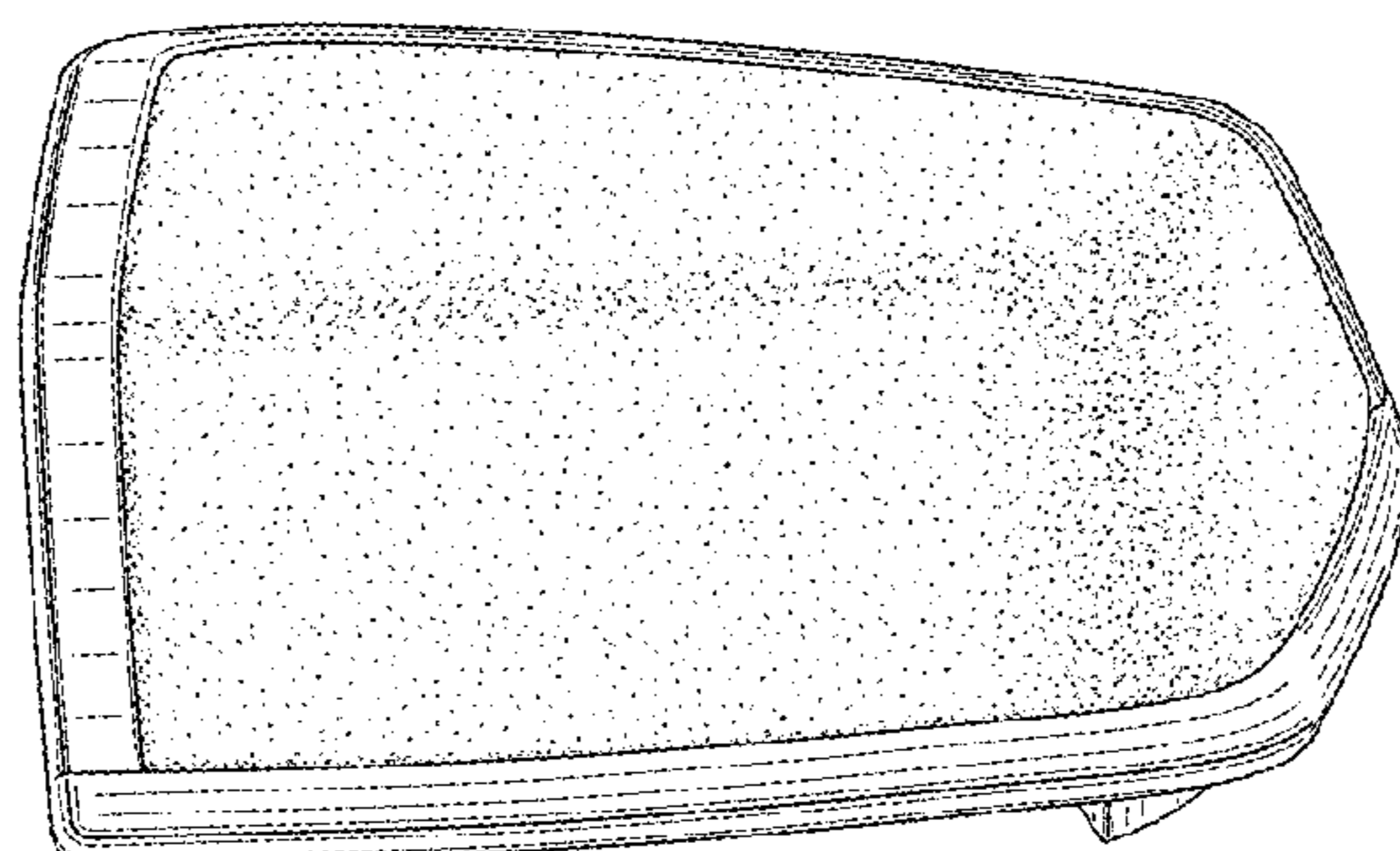


FIG. 27



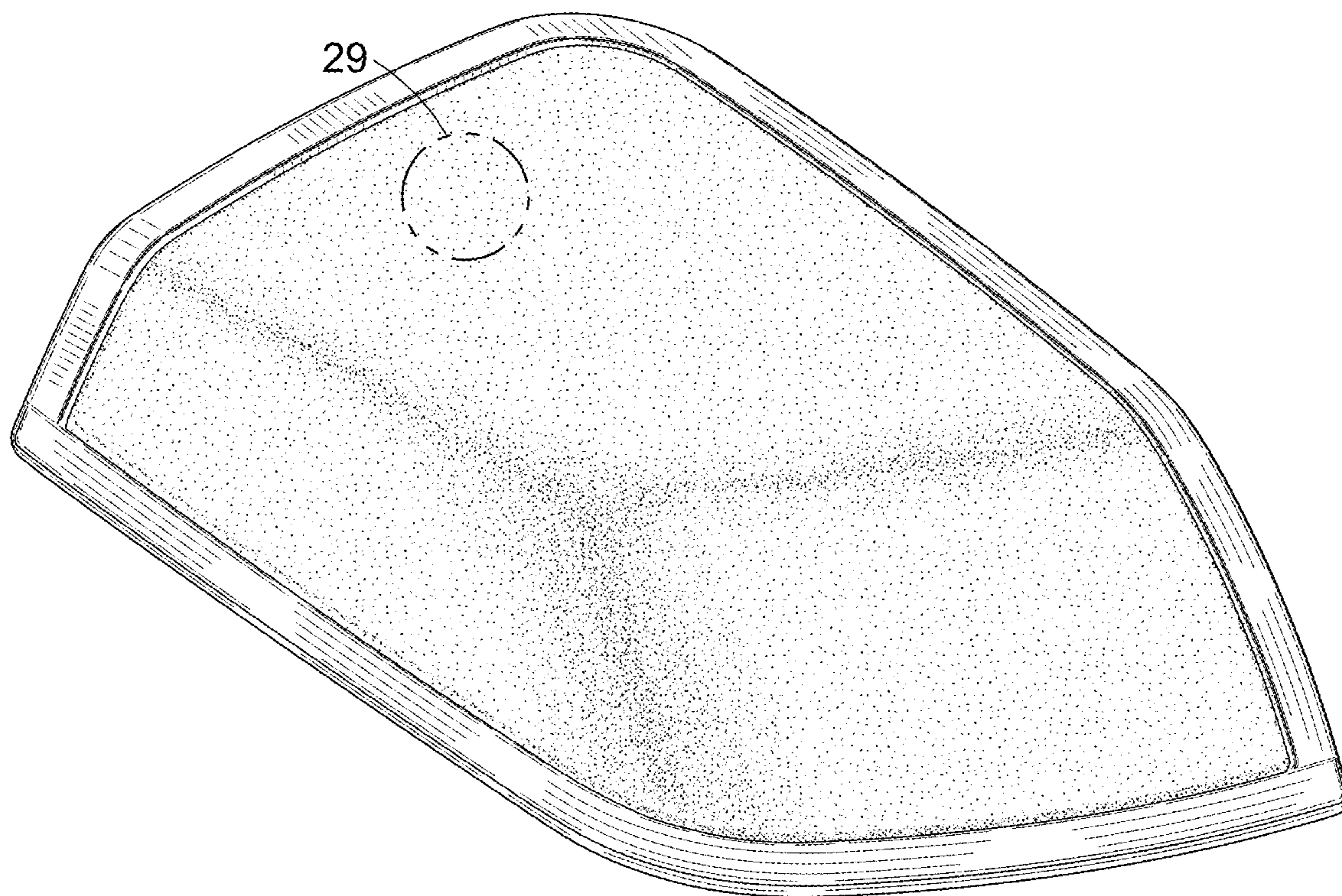


FIG. 28

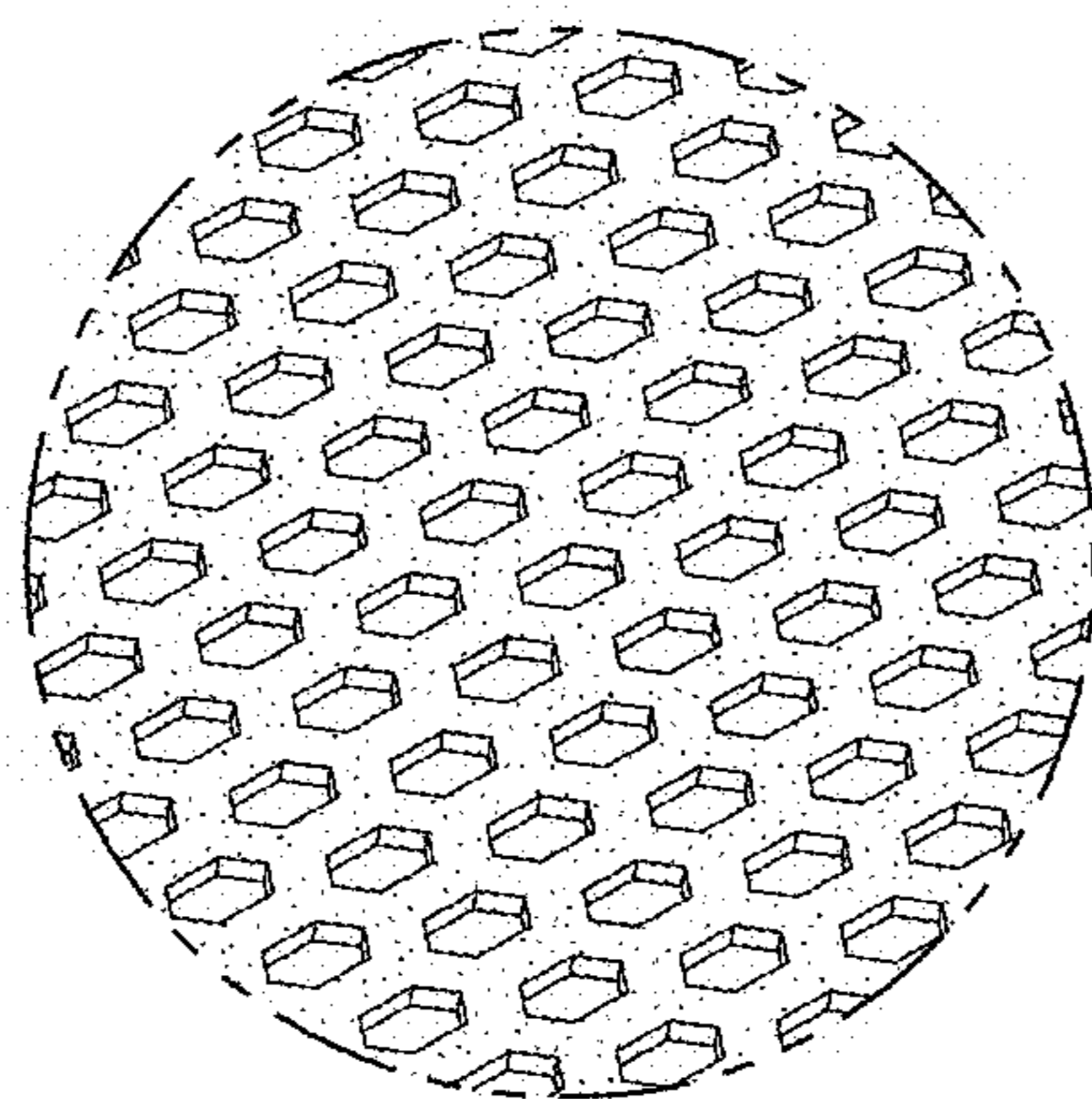


FIG. 29

FIG. 30

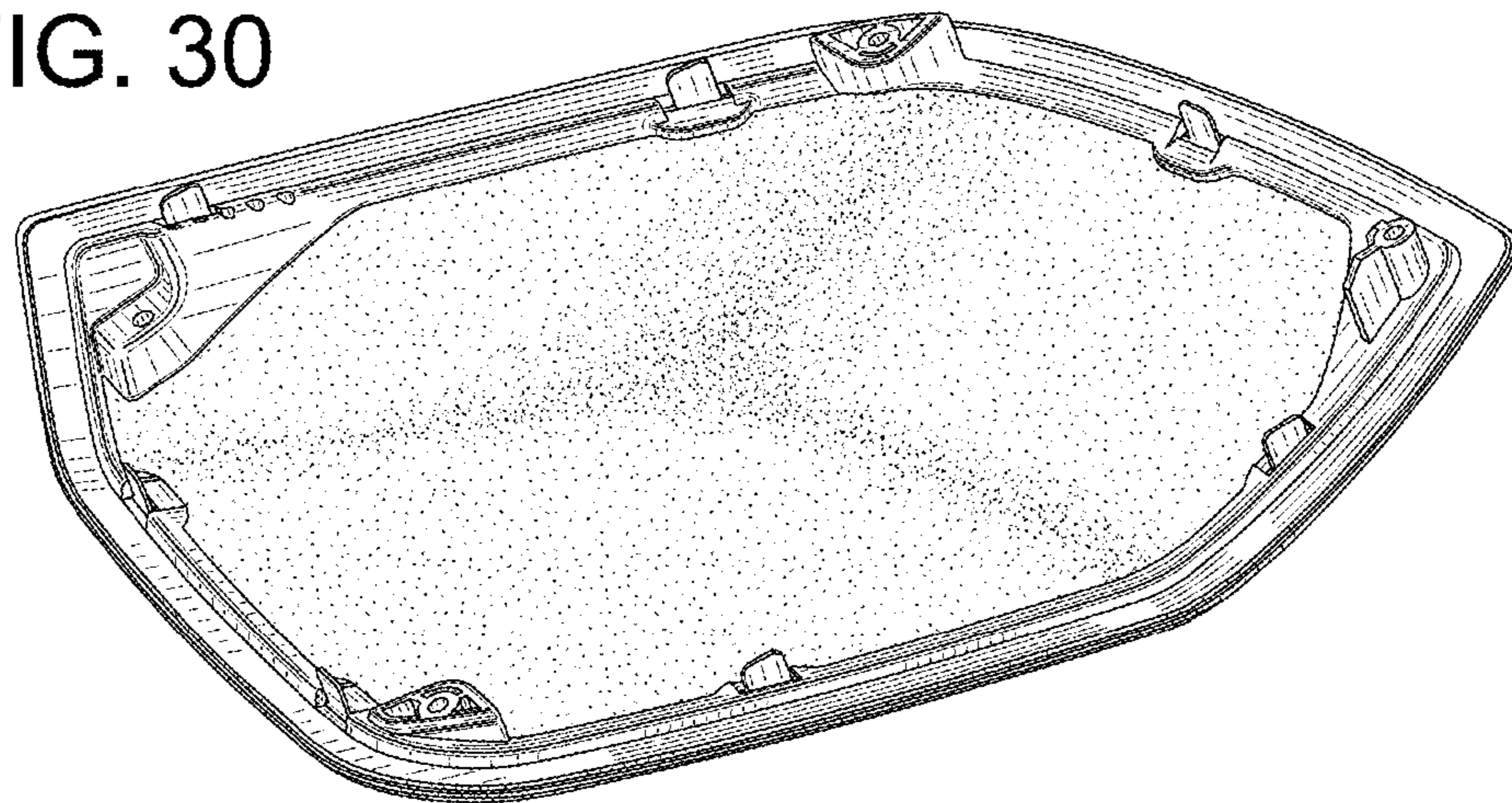


FIG. 31

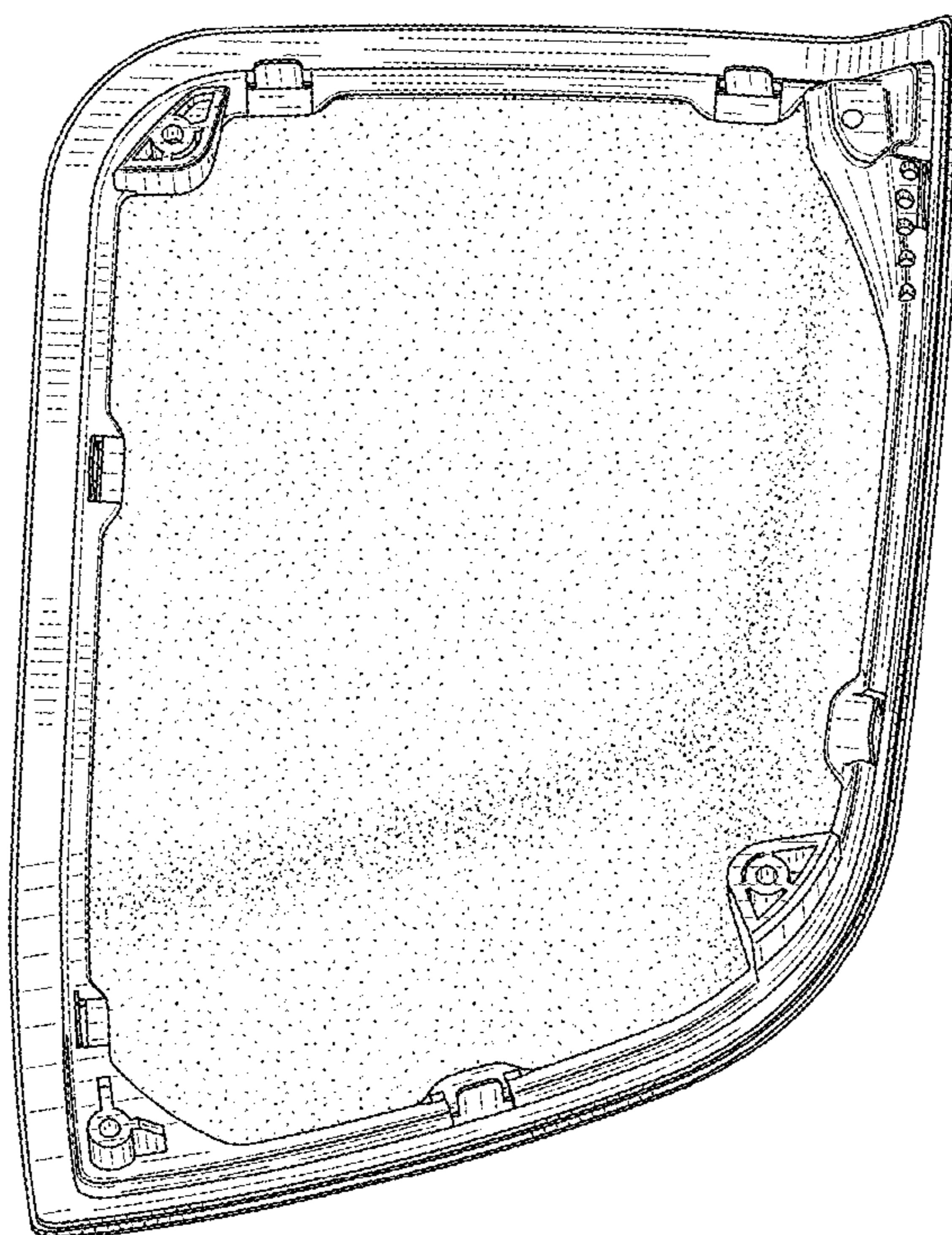


FIG. 32

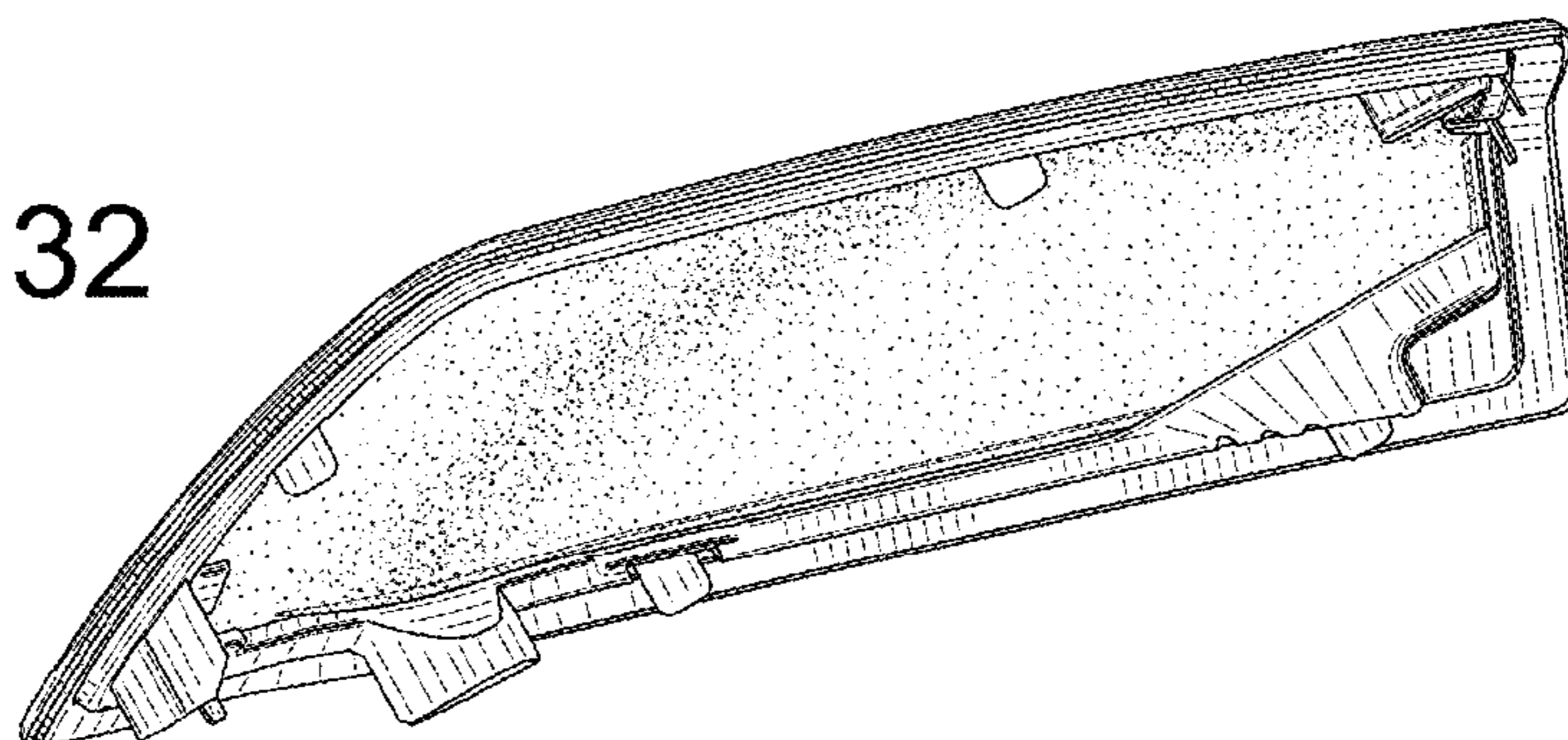


FIG. 33

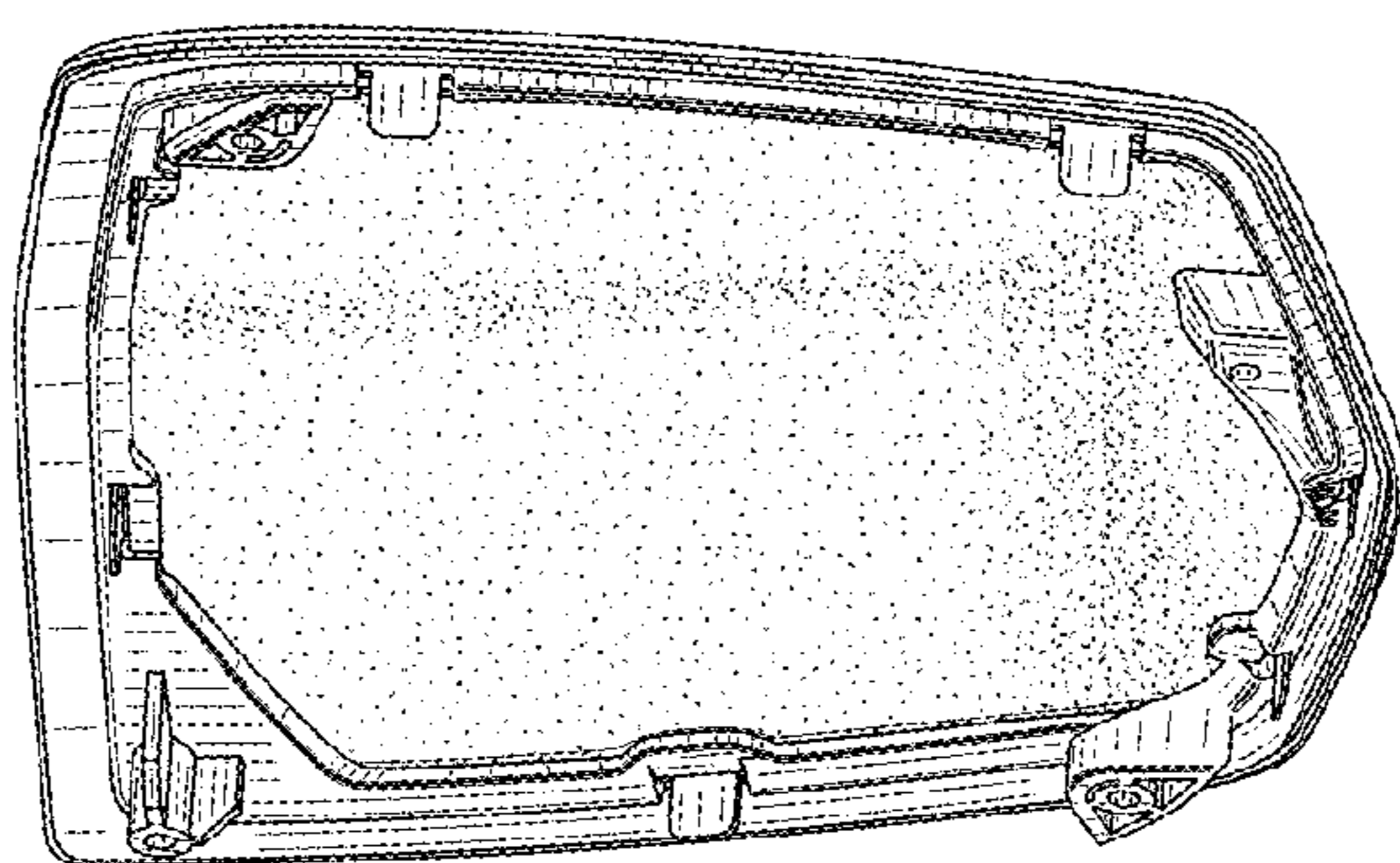


FIG. 34

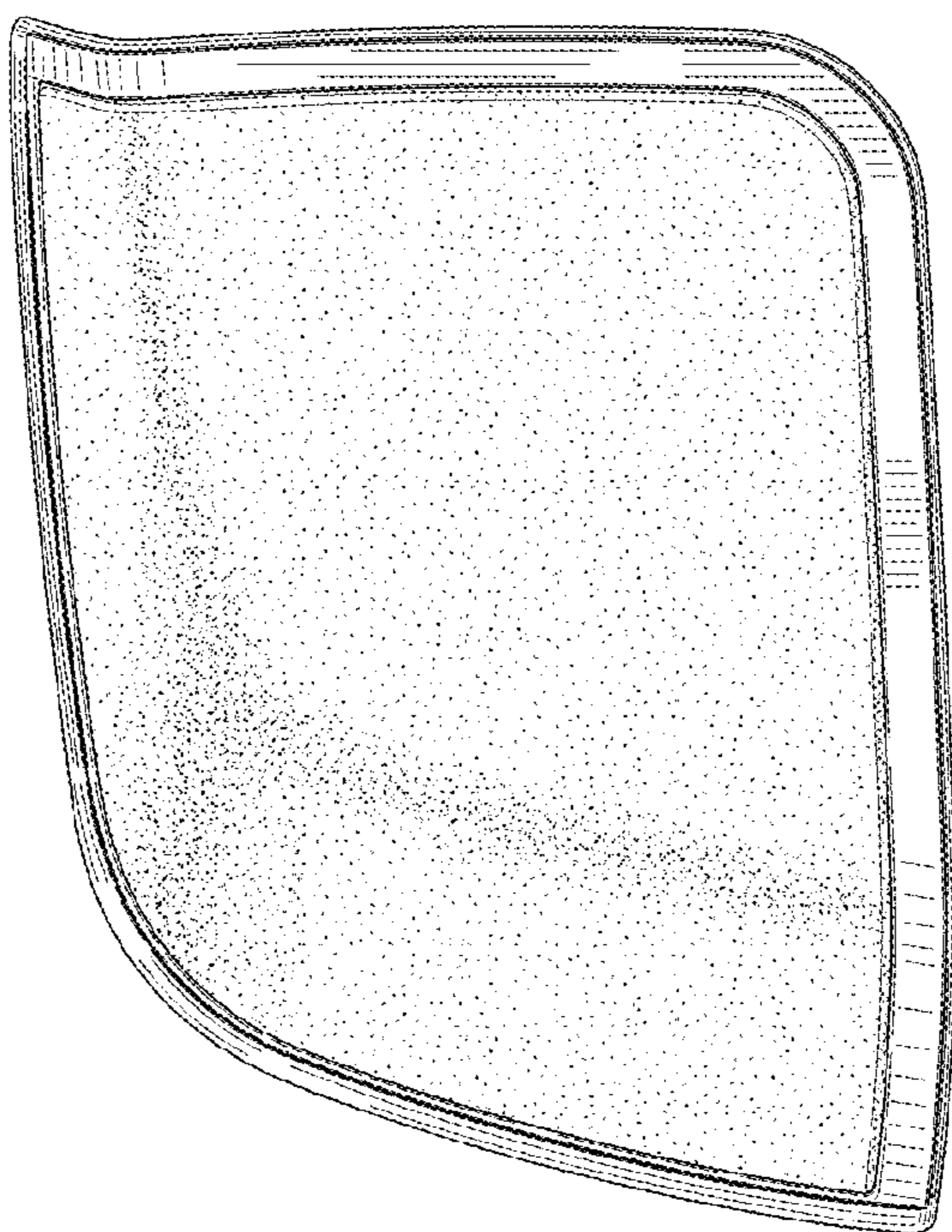


FIG. 35

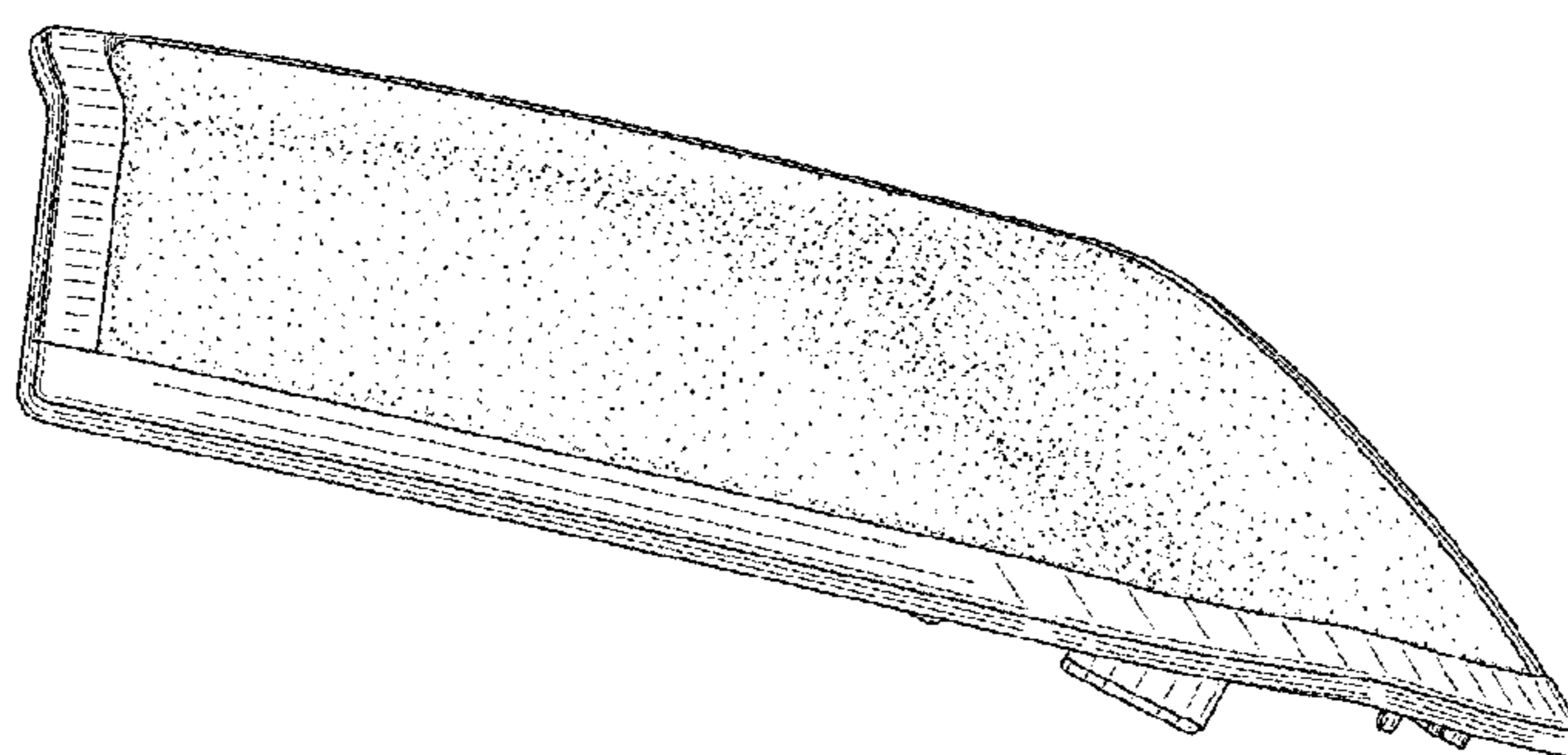


FIG. 36

