



US00D881075S

(12) **United States Design Patent**
Larson

(10) **Patent No.:** **US D881,075 S**

(45) **Date of Patent:** **** Apr. 14, 2020**

(54) **MOTOR VEHICLE, TOY AND/OR REPLICA**

(71) Applicant: **Dr. Ing. h.c. F. Porsche**
Aktiengesellschaft, Stuttgart (DE)

(72) Inventor: **Grant Larson, Illingen (DE)**

(73) Assignee: **Dr. Ing. h.c. F. Porsche**
Aktiengesellschaft (DE)

(**) Term: **15 Years**

(21) Appl. No.: **29/684,164**

(22) Filed: **Mar. 19, 2019**

(30) **Foreign Application Priority Data**

Sep. 26, 2018 (DE) 40 2018 100 976

(51) **LOC (12) Cl.** **12-08**

(52) **U.S. Cl.**
USPC **D12/92**

(58) **Field of Classification Search**

USPC D12/86, 90-92, 88; D21/424, 433, 434,
D21/533; 296/181.1-181.5, 183.1
CPC B62D 25/00; B62D 25/06; B62D 33/00;
B62D 35/00

See application file for complete search history.

(56) **References Cited**

U.S. PATENT DOCUMENTS

D731,929 S 6/2015 Schramm
D753,023 S 4/2016 Villevoye et al.

D805,435 S * 12/2017 Baum D12/92
D805,437 S * 12/2017 Varga D12/92
D808,862 S 1/2018 Ujhasi
D823,727 S 7/2018 Hauser
D824,288 S 7/2018 Hauser
D826,784 S 8/2018 Hauser
D833,331 S * 11/2018 Yamashita D12/92
D839,786 S * 2/2019 Baum D12/92
D842,759 S * 3/2019 Baum D12/92
D861,539 S * 10/2019 Schmolz D12/92

* cited by examiner

Primary Examiner — Melody N Brown

(74) *Attorney, Agent, or Firm* — RatnerPrestia

(57) **CLAIM**

The ornamental design for a motor vehicle, toy and/or replica, as shown and described.

DESCRIPTION

FIG. 1 is a front perspective view of a motor vehicle, toy and/or replica;

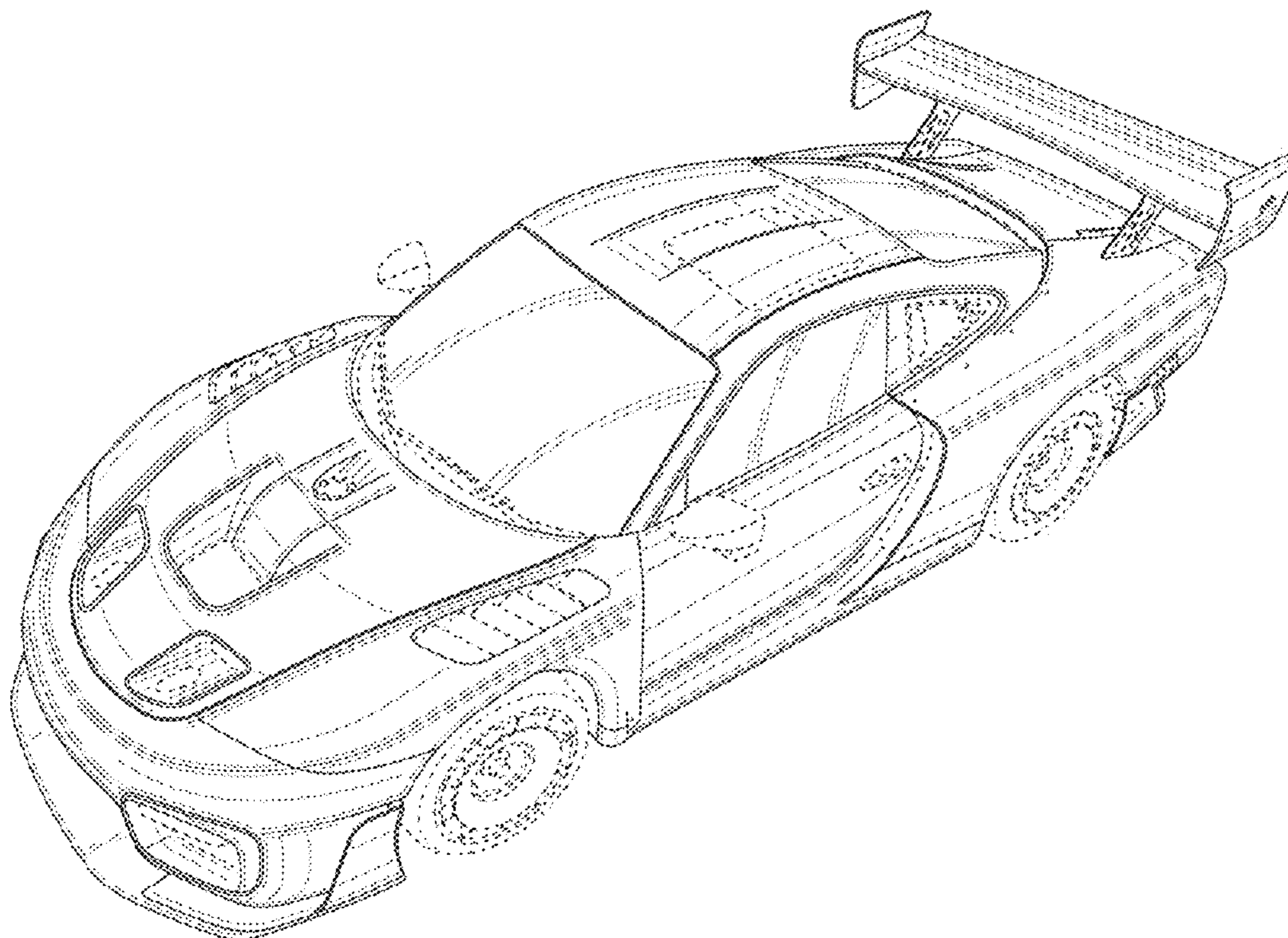
FIG. 2 is a front elevation view thereof;

FIG. 3 is a rear elevation view thereof;

FIG. 4 is an elevation view thereof taken from the right side, the left side being a substantial mirror image thereof; and, FIG. 5 is a top plan view thereof.

The broken line showing of the motor vehicle, toy and/or replica is for the purpose of illustrating portions of the motor vehicle, toy and/or replica and forms no part of the claimed design.

1 Claim, 5 Drawing Sheets



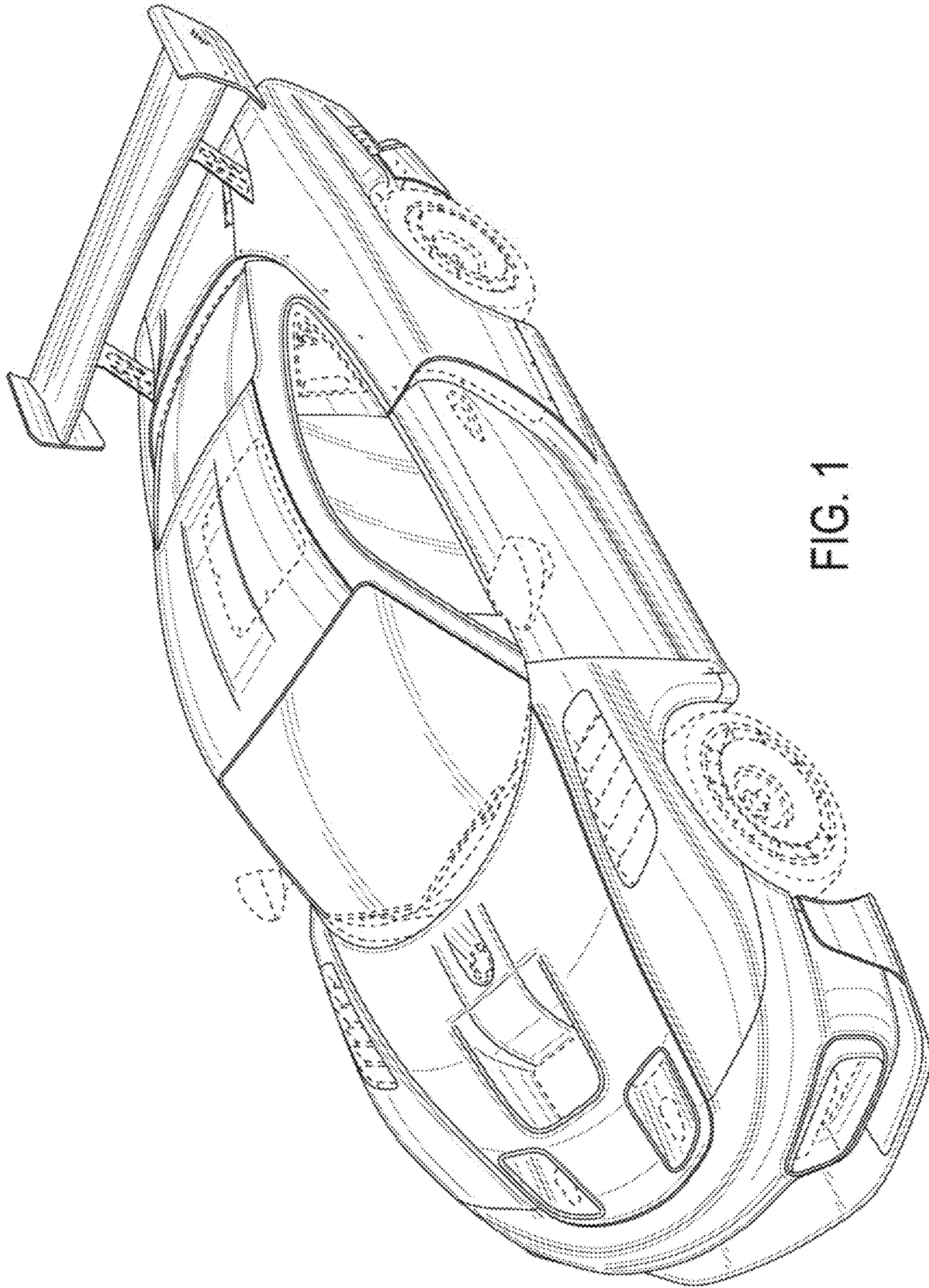


FIG. 1

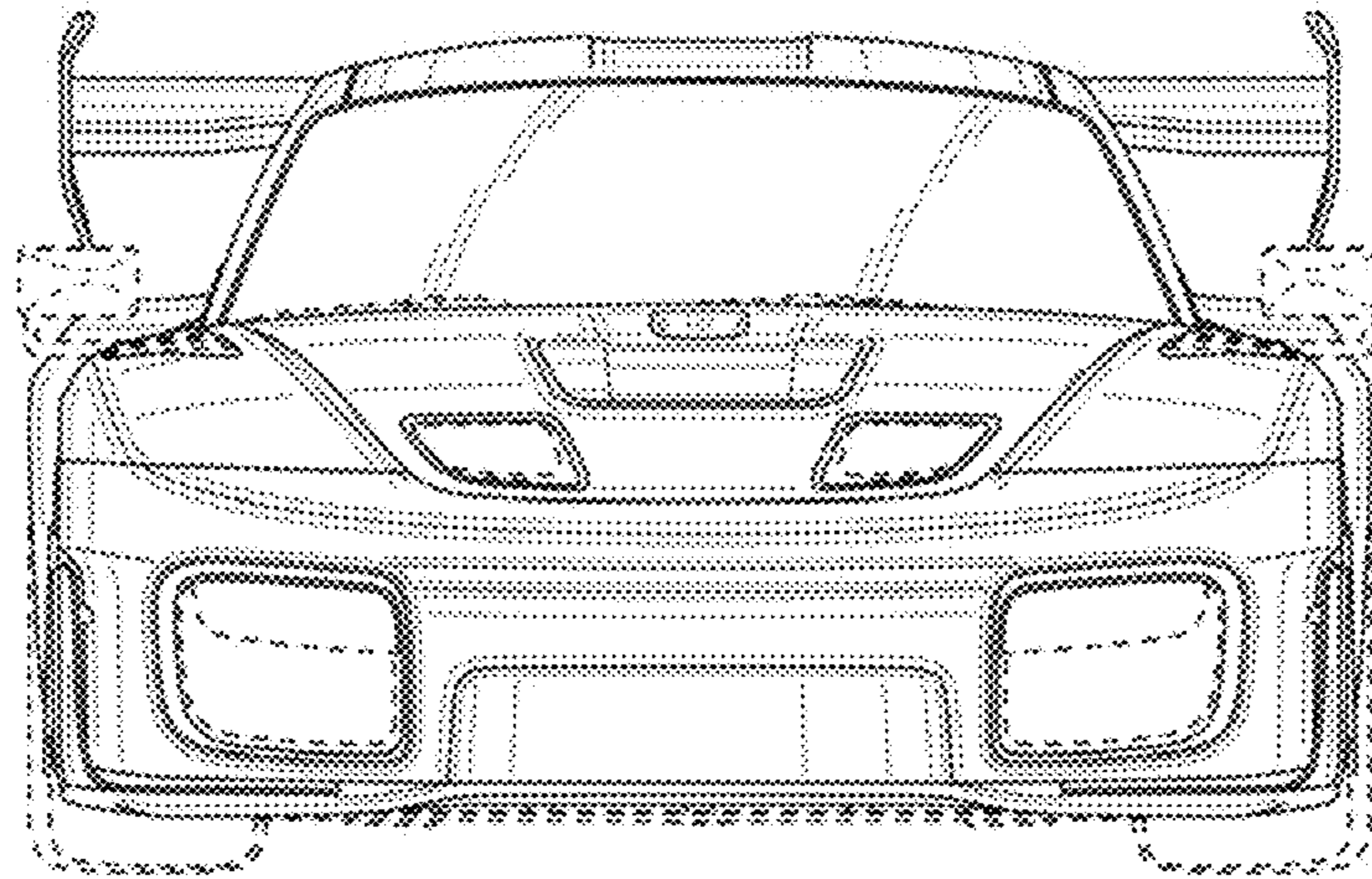


FIG. 2

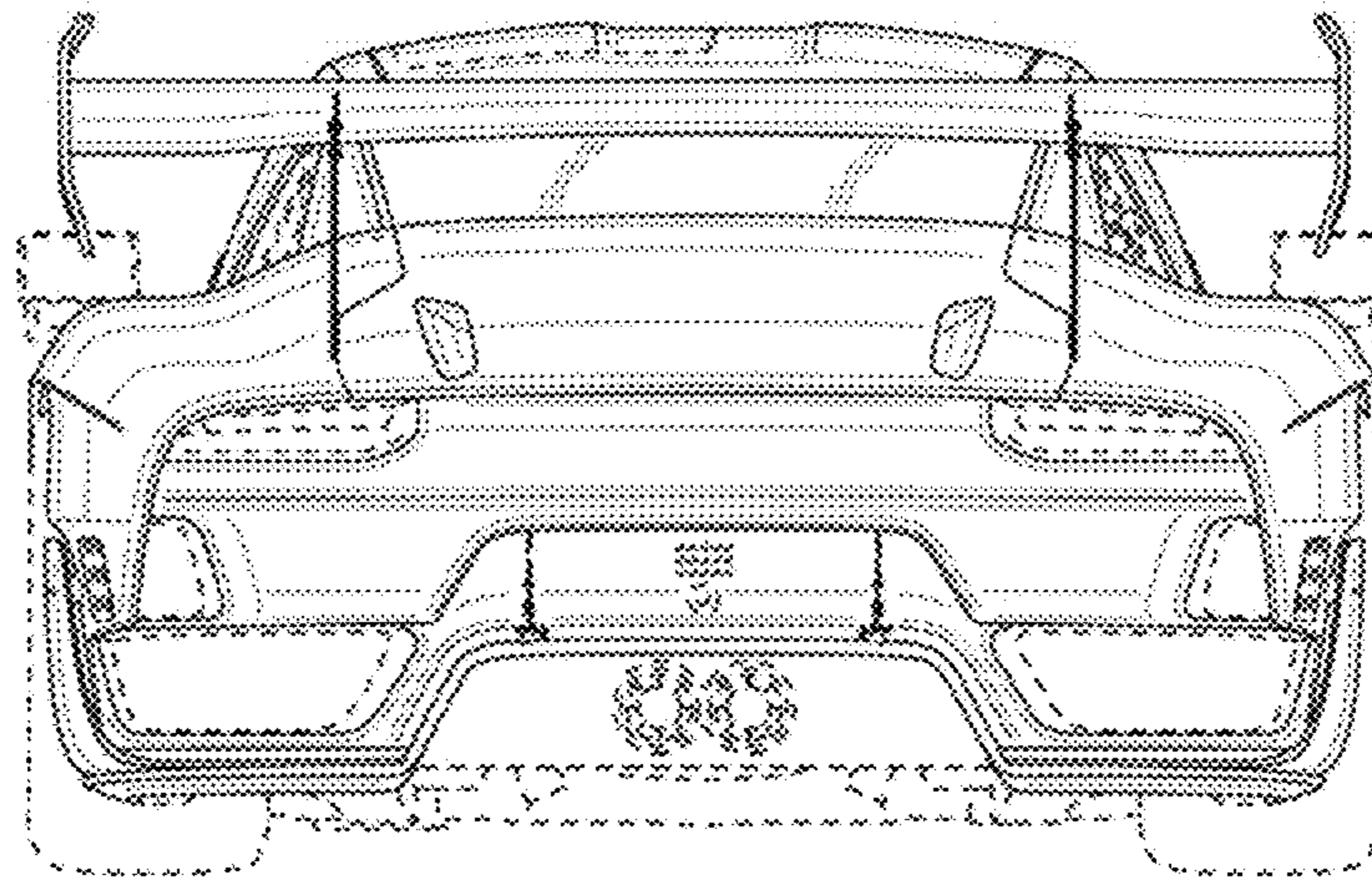


FIG. 3

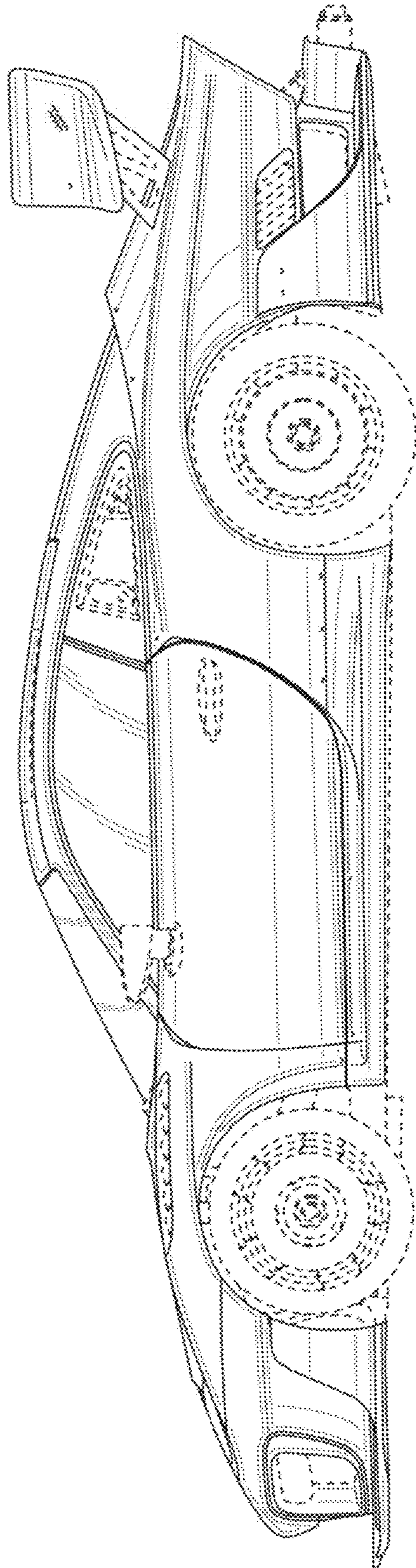


FIG. 4

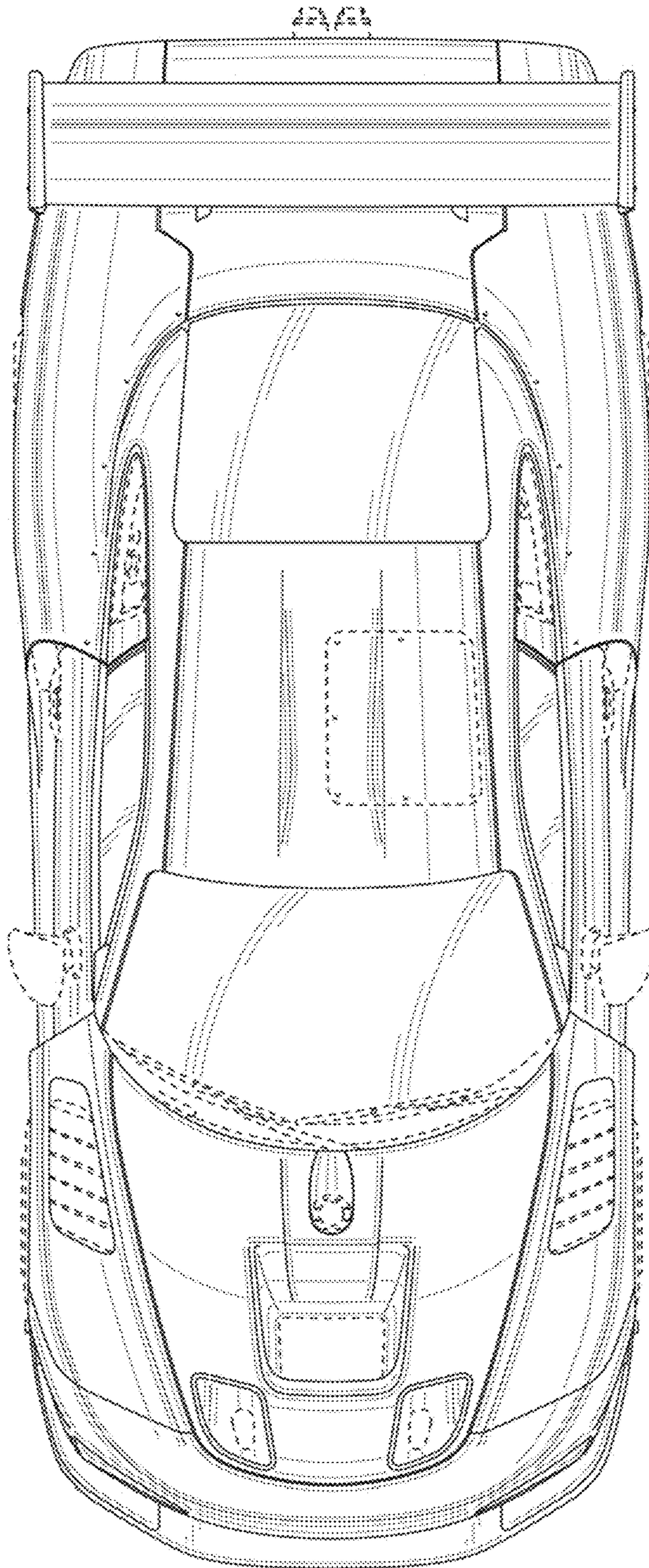


FIG. 5