



US00D881074S

(12) **United States Design Patent**
Eaton

(10) **Patent No.:** **US D881,074 S**
(45) **Date of Patent:** **** Apr. 14, 2020**

(54) **MOTOR CAR**
(71) Applicant: **Felix Eaton**, Holmfirth (GB)
(72) Inventor: **Felix Eaton**, Holmfirth (GB)
(**) Term: **15 Years**
(21) Appl. No.: **29/658,105**
(22) Filed: **Jul. 27, 2018**

D684,503 S * 6/2013 Cook D12/92
D780,635 S * 3/2017 O'Connell D12/92
D795,745 S * 8/2017 Lim D12/92
D810,627 S * 2/2018 Cloke D12/92

FOREIGN PATENT DOCUMENTS

EP 002611236-0001 1/2015
EP 003314798-0001 8/2016

OTHER PUBLICATIONS

Maillard, C., "Geneva 2018: Eadon Green Zeclat", Car Design News, Mar. 7, 2018.

(30) **Foreign Application Priority Data**

Dec. 4, 2017 (EM) 004534998-001

(51) **LOC (12) Cl.** **12-08**

(52) **U.S. Cl.**
USPC **D12/92**

(58) **Field of Classification Search**
USPC D12/86, 90-92, 88; D21/424, 433, 434,
D21/533; 296/181.1-181.5, 183.1
CPC B62D 25/00; B62D 25/06; B62D 33/00;
B62D 35/00
See application file for complete search history.

* cited by examiner

Primary Examiner — Melody N Brown
(74) *Attorney, Agent, or Firm* — Kowert, Hood, Munyon,
Rankin & Goetzel, P.C.; Gareth M. Sampson

(57) **CLAIM**

The ornamental design for a motor car, as shown and described.

DESCRIPTION

FIG. 1 is a front and right-side perspective view of a motor car, showing our new design;
FIG. 2 is a rear and right-side perspective view thereof;
FIG. 3 is a rear and left-side perspective view thereof;
FIG. 4 is a left-side view thereof;
FIG. 5 is a right-side view thereof;
FIG. 6 is a top view thereof;
FIG. 7 is a front view thereof; and,
FIG. 8 is a rear view thereof.

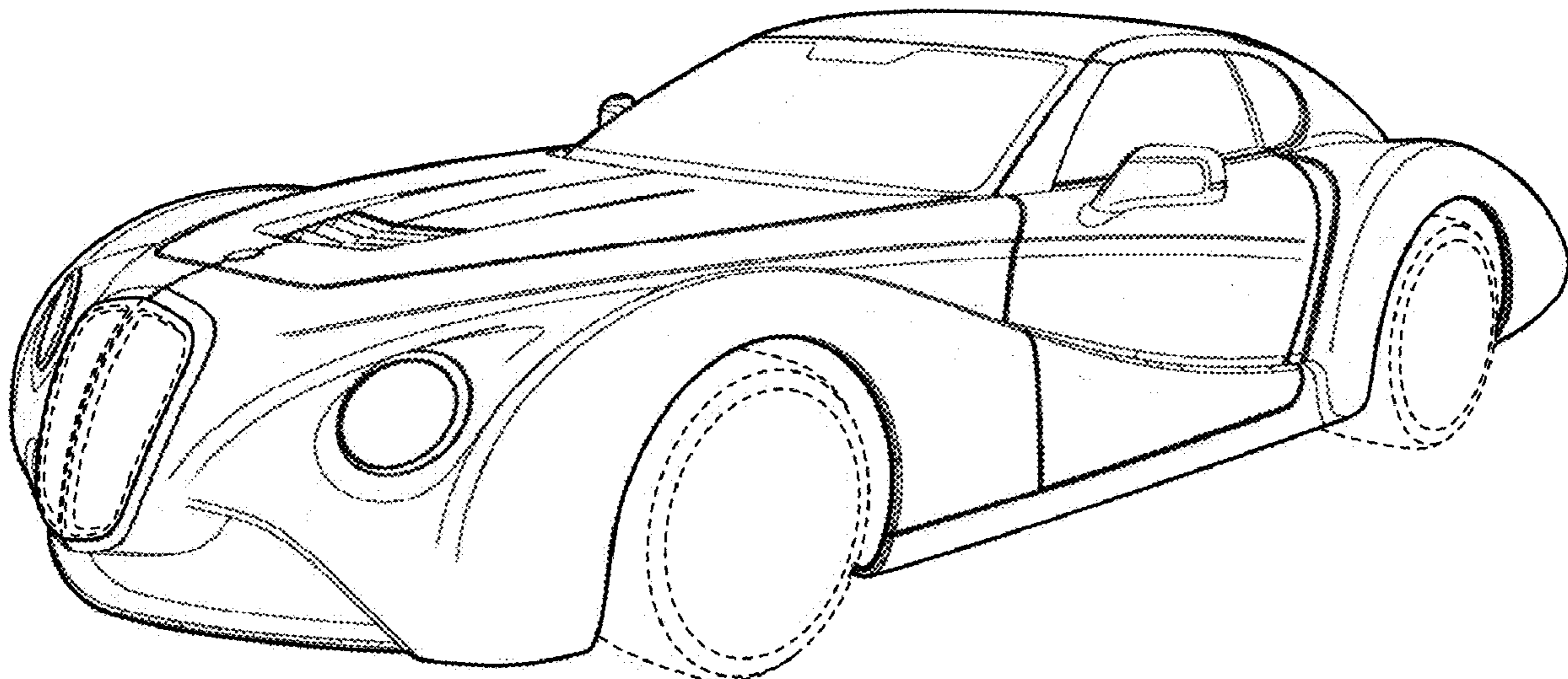
The broken lines in the views are included for the purpose of illustrating portions of the motor car that form no part of the claimed design. The wire frame lines shown throughout the views are intended to indicate surface contour.

1 Claim, 3 Drawing Sheets

(56) **References Cited**

U.S. PATENT DOCUMENTS

D87,518 S * 8/1932 Hoffman D12/92
D88,083 S * 10/1932 Hughes D12/92
D91,087 S * 11/1933 Henner D12/92
D353,564 S * 12/1994 Verduyn D12/92
D394,232 S * 5/1998 Trostle D12/91
D422,240 S * 4/2000 Cook D12/91
D423,988 S * 5/2000 Luntz D12/86
D424,475 S * 5/2000 Cook D12/91
D424,981 S * 5/2000 Cook D12/91
D522,918 S * 6/2006 Khouri D12/92
D551,595 S * 9/2007 Newton D12/91
D569,309 S * 5/2008 Gueorguiev D12/92
D626,889 S * 11/2010 Shepard D12/92



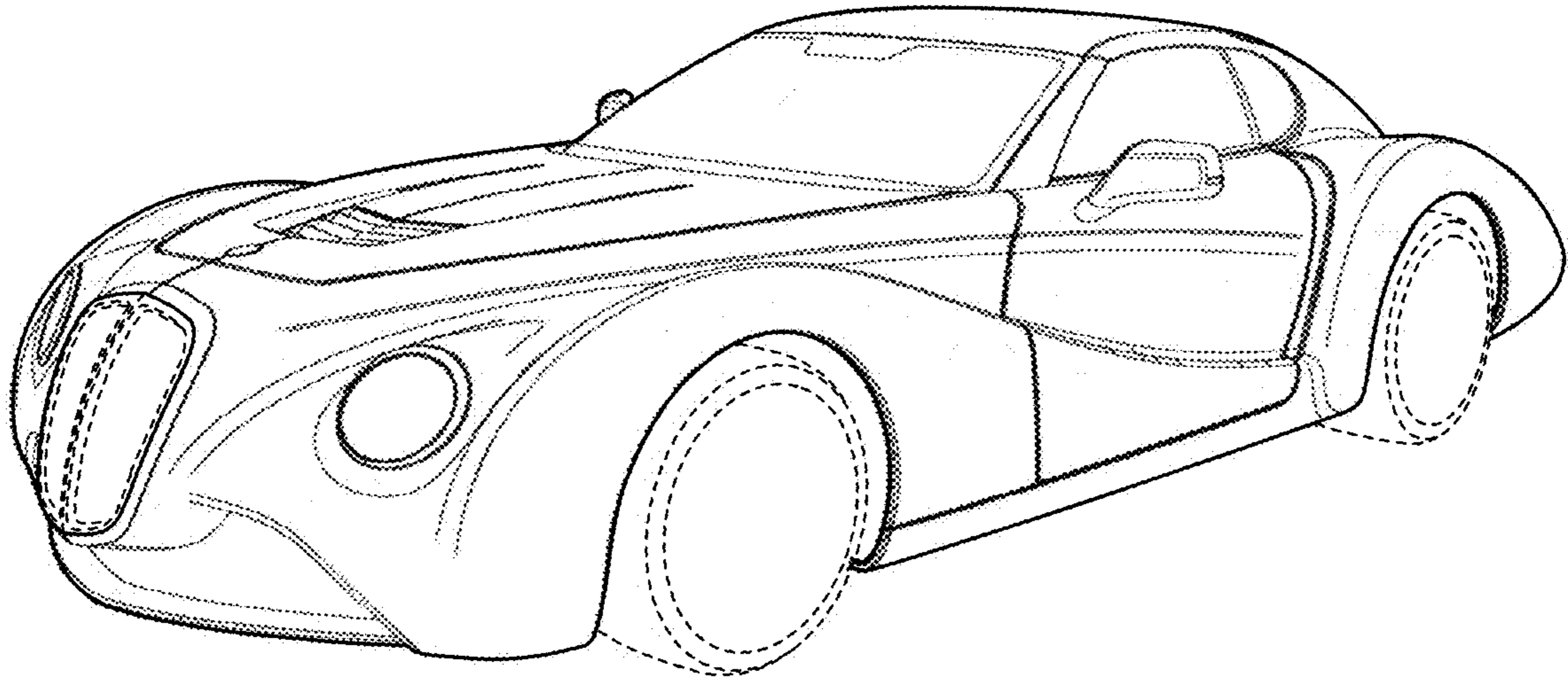


FIG. 1

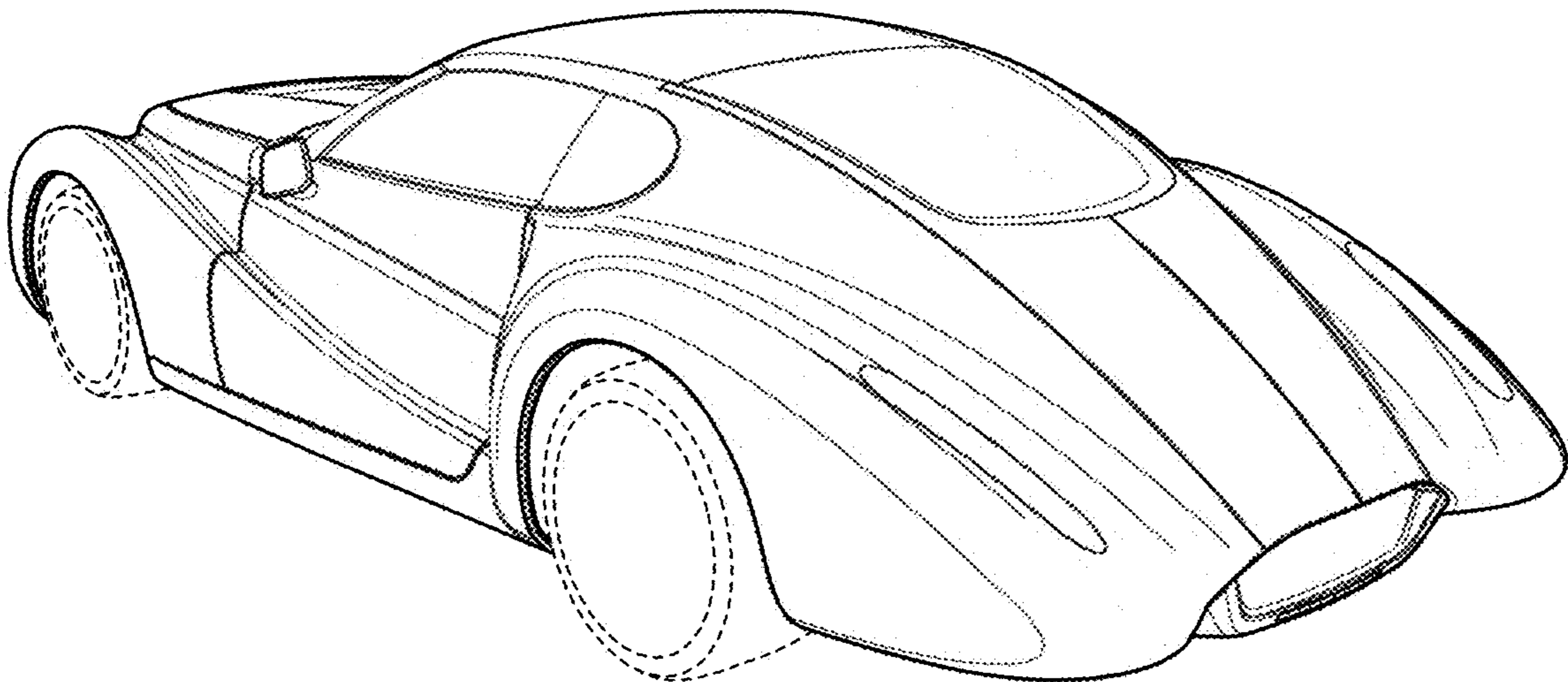


FIG. 2

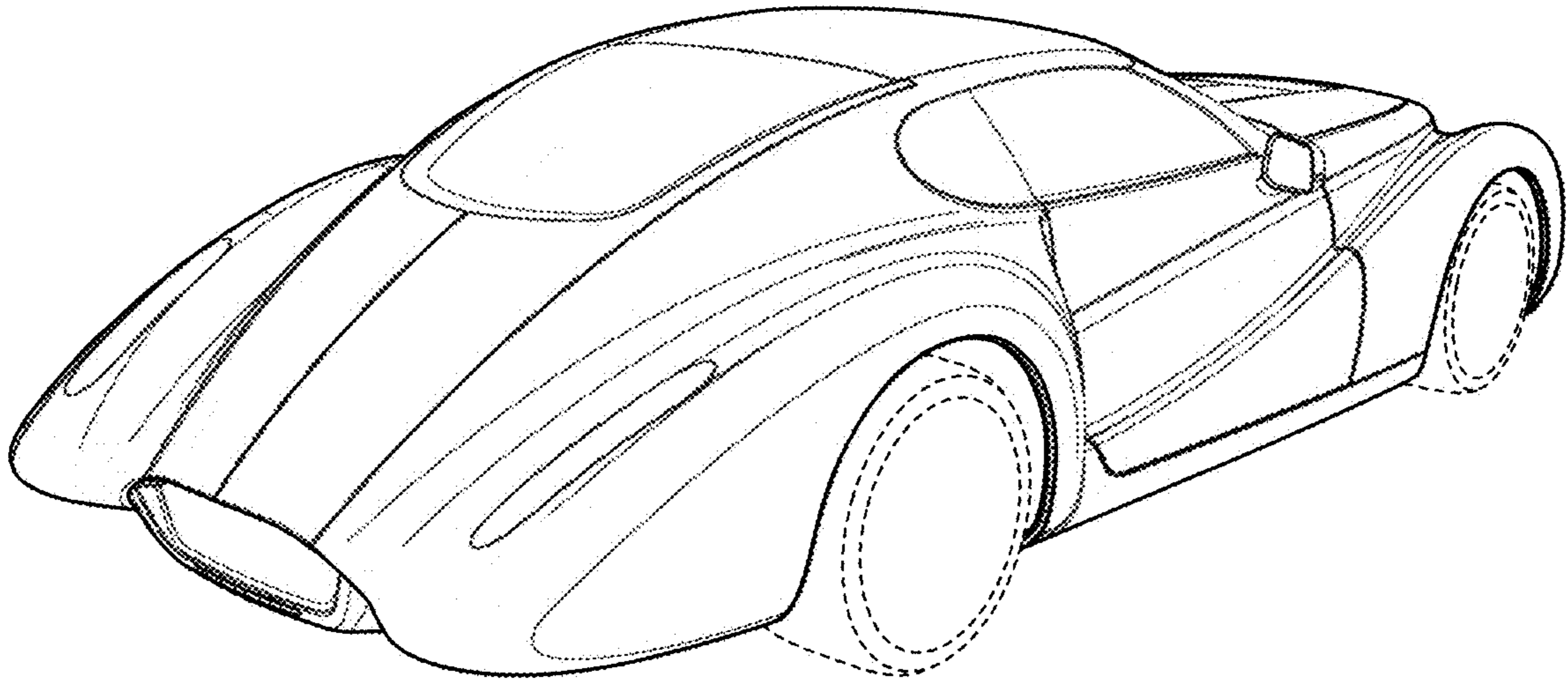


FIG. 3

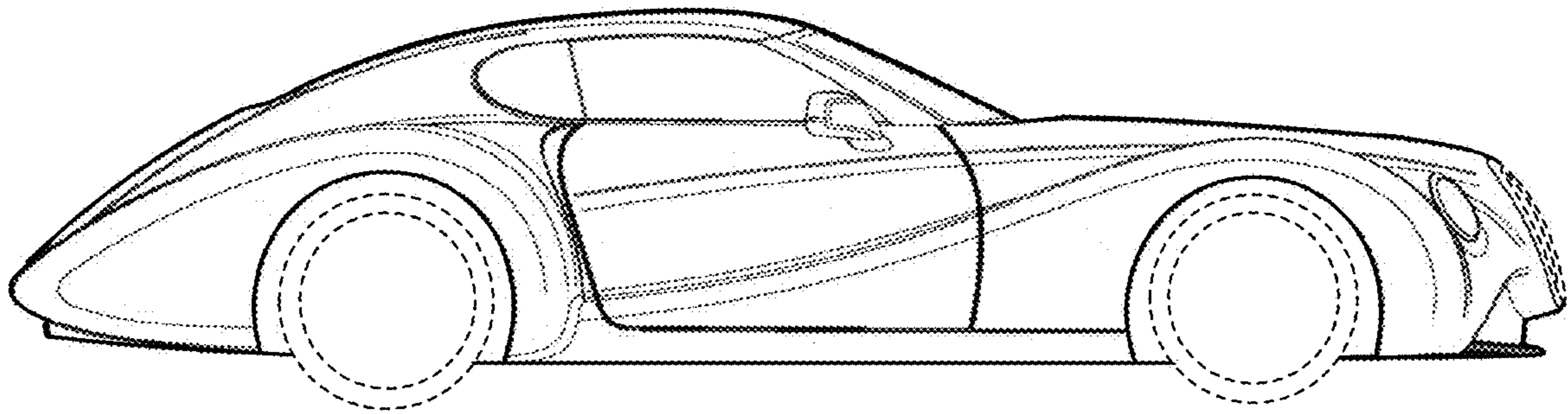


FIG. 4

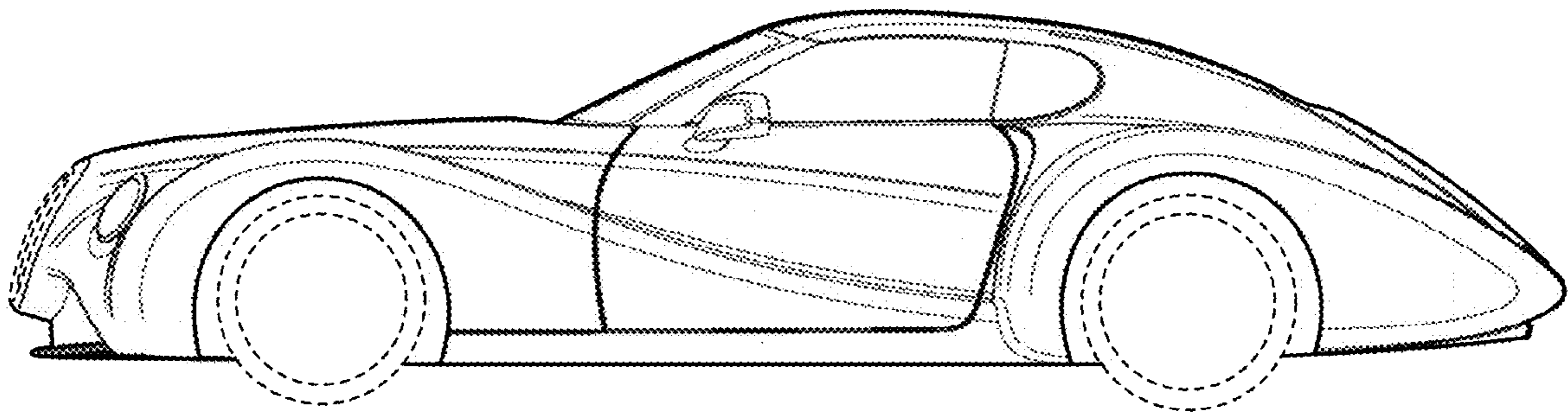


FIG. 5

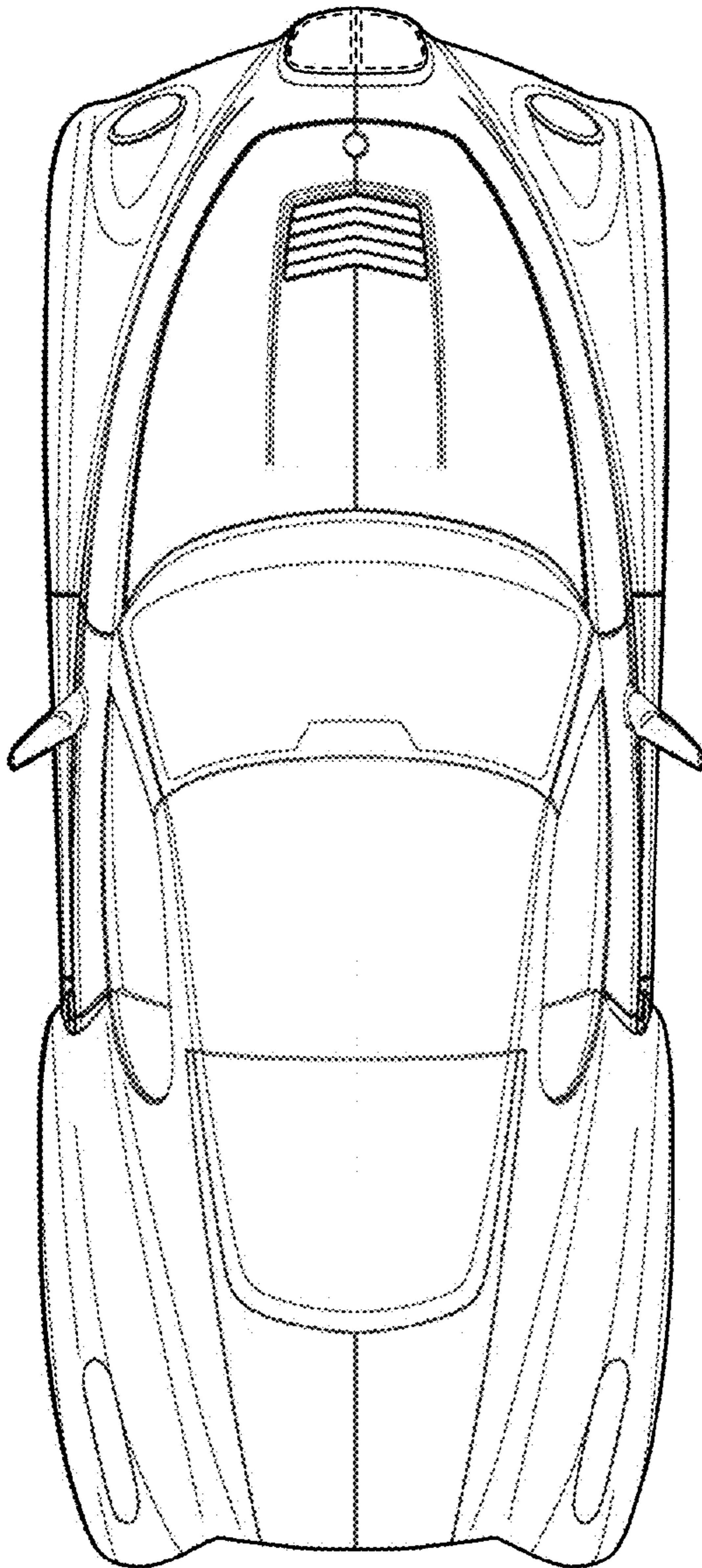


FIG. 6

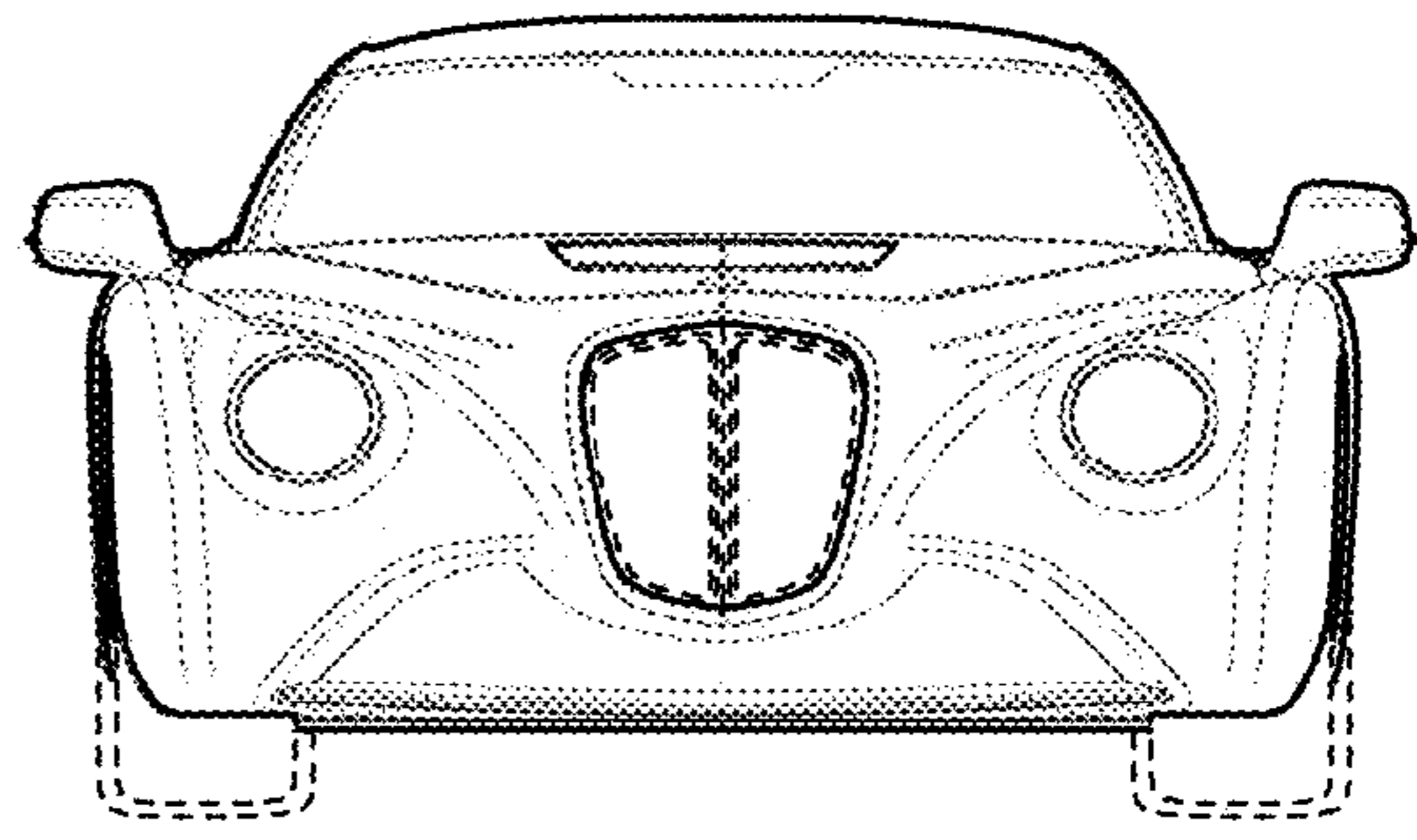


FIG. 7

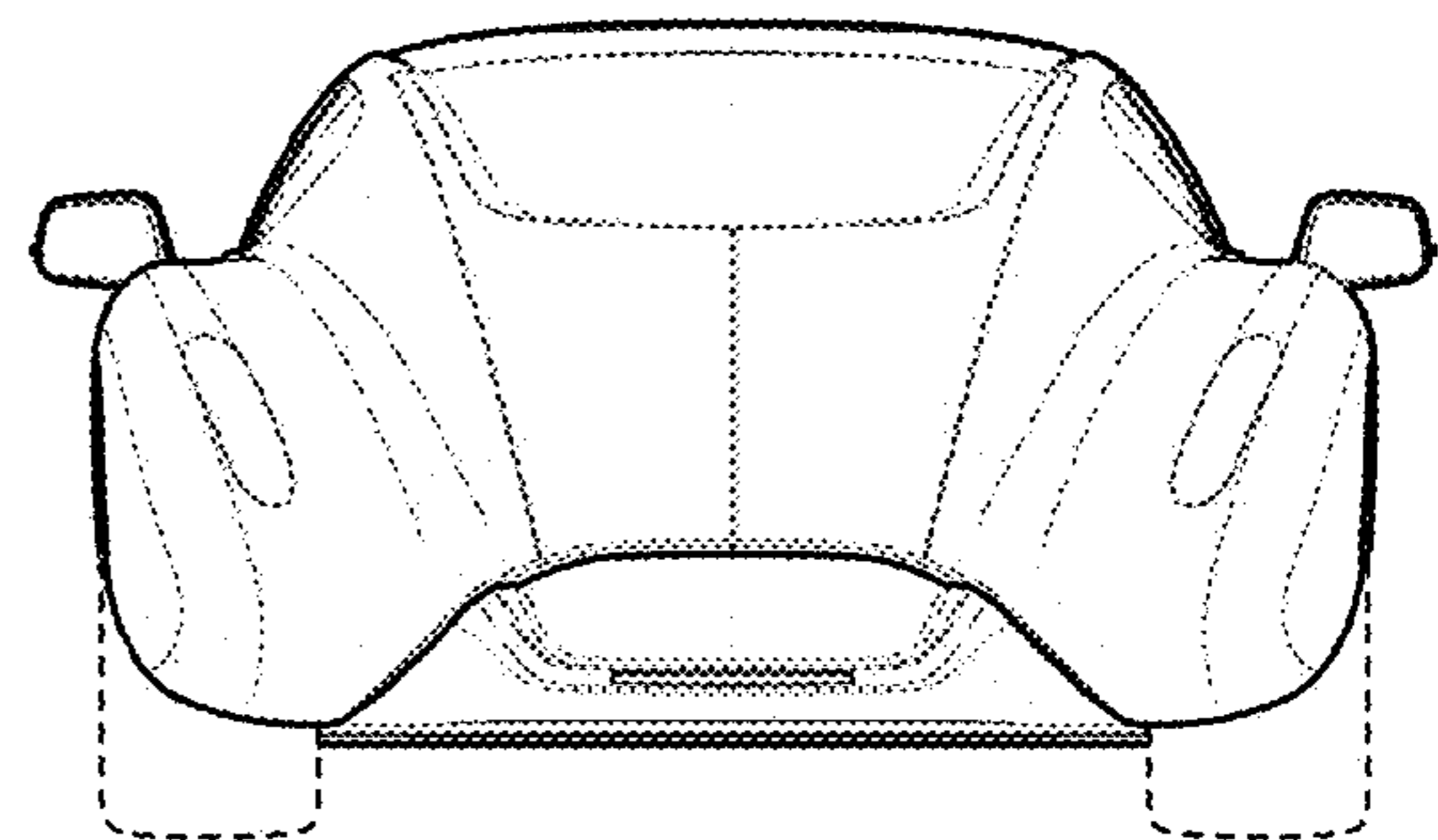


FIG. 8