



US00D881068S

(12) **United States Design Patent**
Resta

(10) **Patent No.:** **US D881,068 S**
(45) **Date of Patent:** **** Apr. 14, 2020**

(54) **CAR, TOY CAR REPLICA AND/OR OTHER REPLICAS**

(71) Applicant: **Ferrari S.p.A.**, Modena (IT)

(72) Inventor: **Simone Resta**, Maranello (IT)

(73) Assignee: **Ferrari S.p.A.**, Modena (IT)

(**) Term: **15 Years**

(21) Appl. No.: **29/659,655**

(22) Filed: **Aug. 10, 2018**

(30) **Foreign Application Priority Data**

Feb. 15, 2018 (EM) 004709616

Feb. 15, 2018 (EM) 004709624

(51) **LOC (12) Cl.** **12-08**

(52) **U.S. Cl.**
USPC **D12/88**

(58) **Field of Classification Search**
USPC D12/86, 90-92, 88; D21/424, 433, 434,
D21/533; 296/181.1-181.5, 183.1
CPC B62D 25/00; B62D 25/06; B62D 33/00;
B62D 35/00
See application file for complete search history.

(56) **References Cited**

U.S. PATENT DOCUMENTS

D528,041 S * 9/2006 Costa D12/88

D576,918 S * 9/2008 Taylor D12/88

D577,314 S * 9/2008 Taylor D12/88
D597,442 S * 8/2009 Steinhauser D12/88
D610,949 S * 3/2010 Tombazis D12/88
D630,552 S * 1/2011 Tombazis D12/88
D665,306 S * 8/2012 Tombazis D12/88
D707,590 S * 6/2014 Bowlby D12/88
D710,252 S * 8/2014 Tombazis D12/88
D714,188 S * 9/2014 Bowlby D12/88
D727,208 S * 4/2015 Allison D12/88
D774,946 S * 12/2016 Allison D12/88
D807,787 S * 1/2018 Allison D12/88
D830,903 S * 10/2018 Resta D12/88

* cited by examiner

Primary Examiner — Melody N Brown

(74) *Attorney, Agent, or Firm* — Cowan, Liebowitz & Latman P.C.

(57) **CLAIM**

The ornamental design for a car, toy car replica and/or other replicas, as shown and described.

DESCRIPTION

FIG. 1 is a front perspective view of a car, toy replica and/or other replicas showing my new design;
FIG. 2 is a rear perspective view thereof;
FIG. 3 is a front view thereof;
FIG. 4 is a rear view thereof;
FIG. 5 is a side elevational view, the opposite side is a mirror image thereof; and,
FIG. 6 is a top plan view thereof.

1 Claim, 6 Drawing Sheets

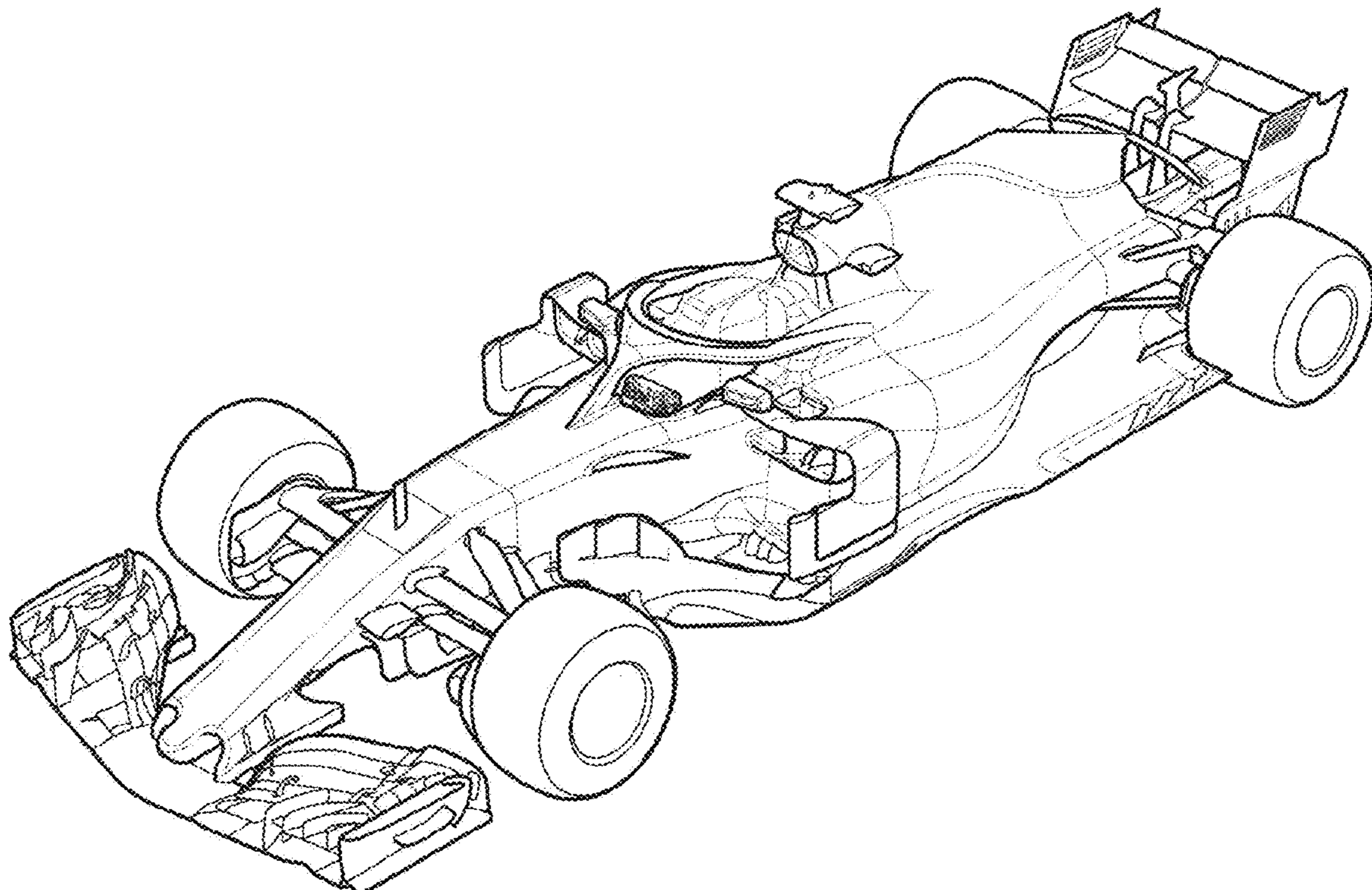


FIG. 1

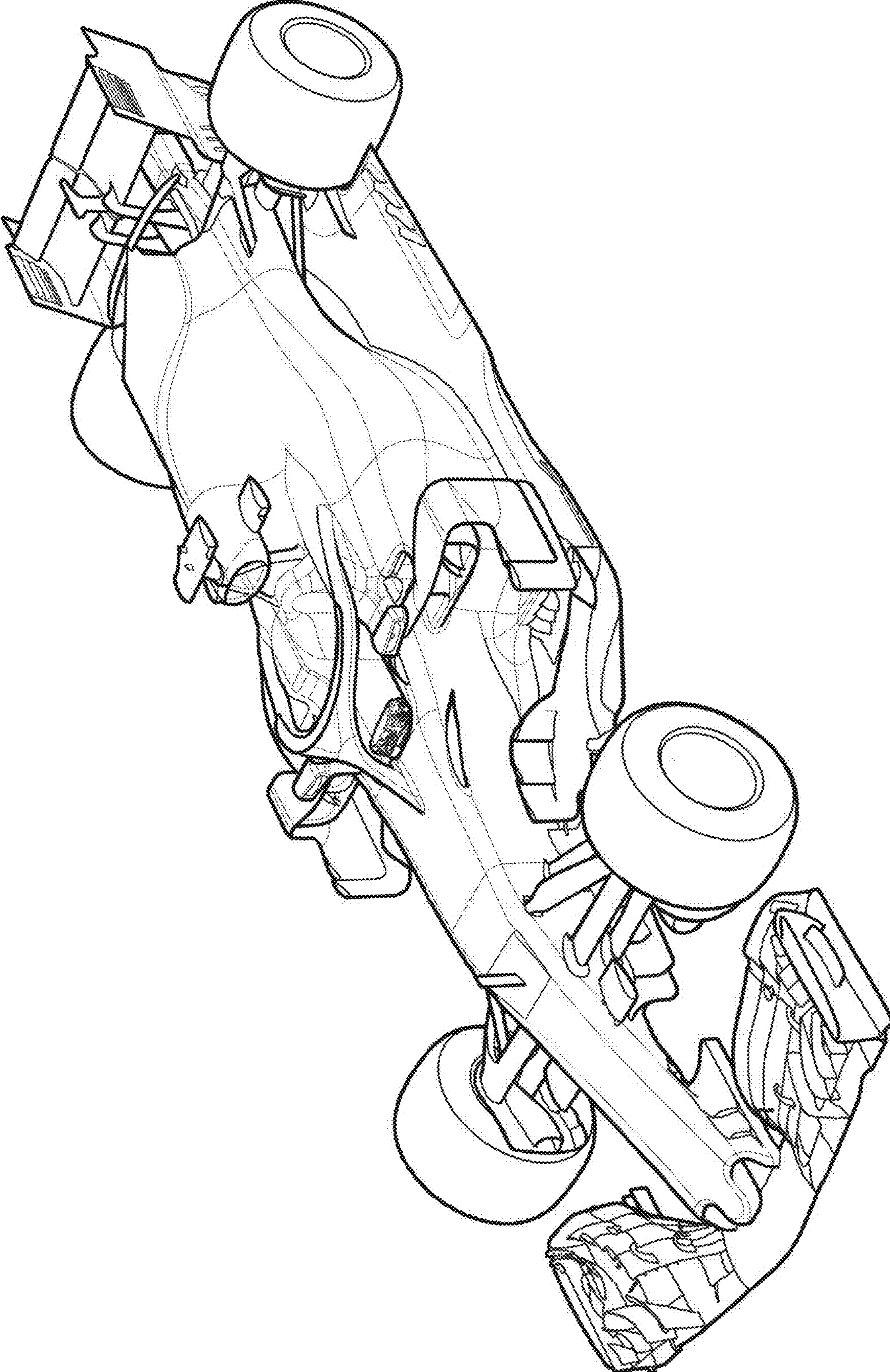


FIG. 2

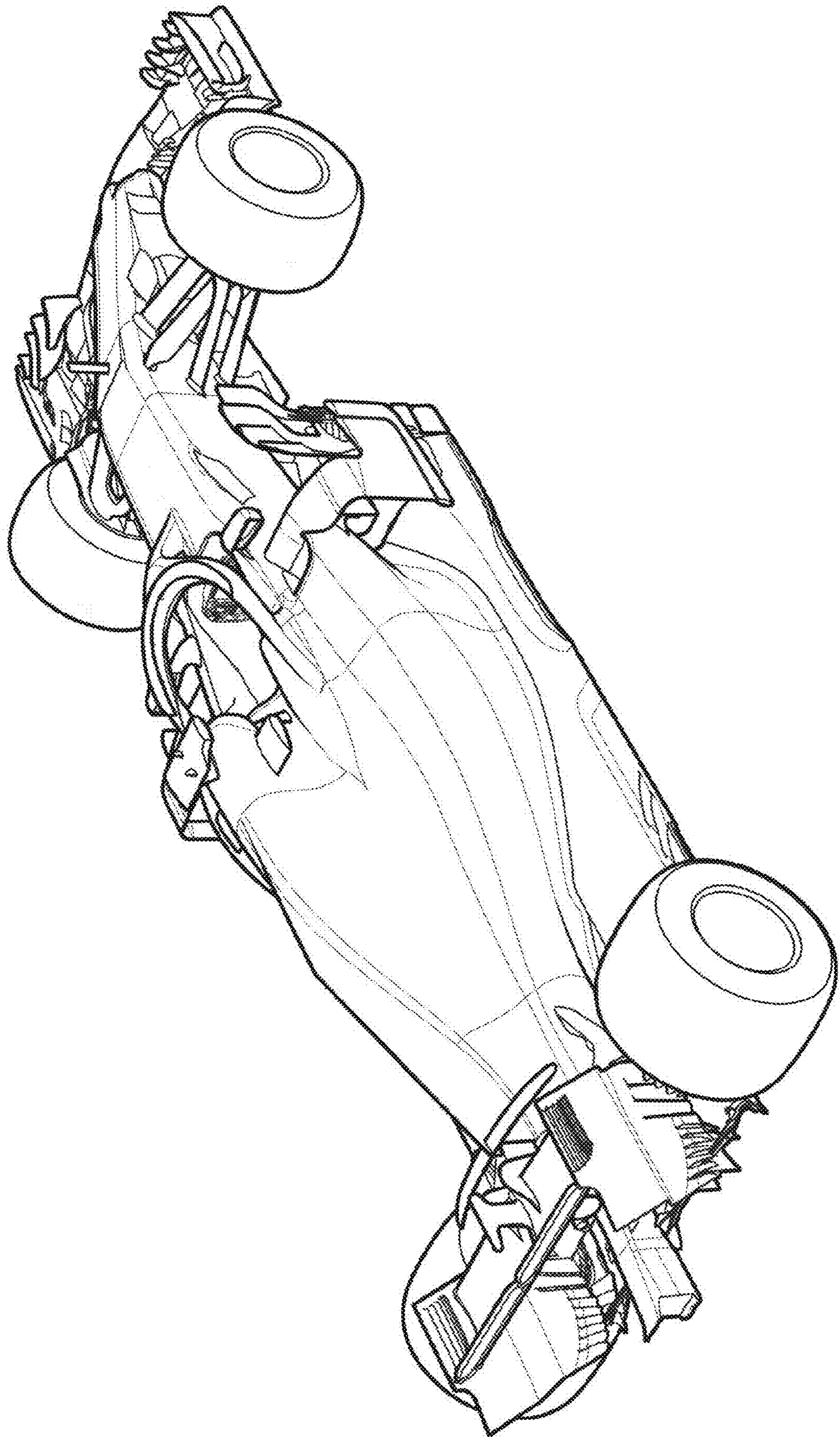


FIG. 3

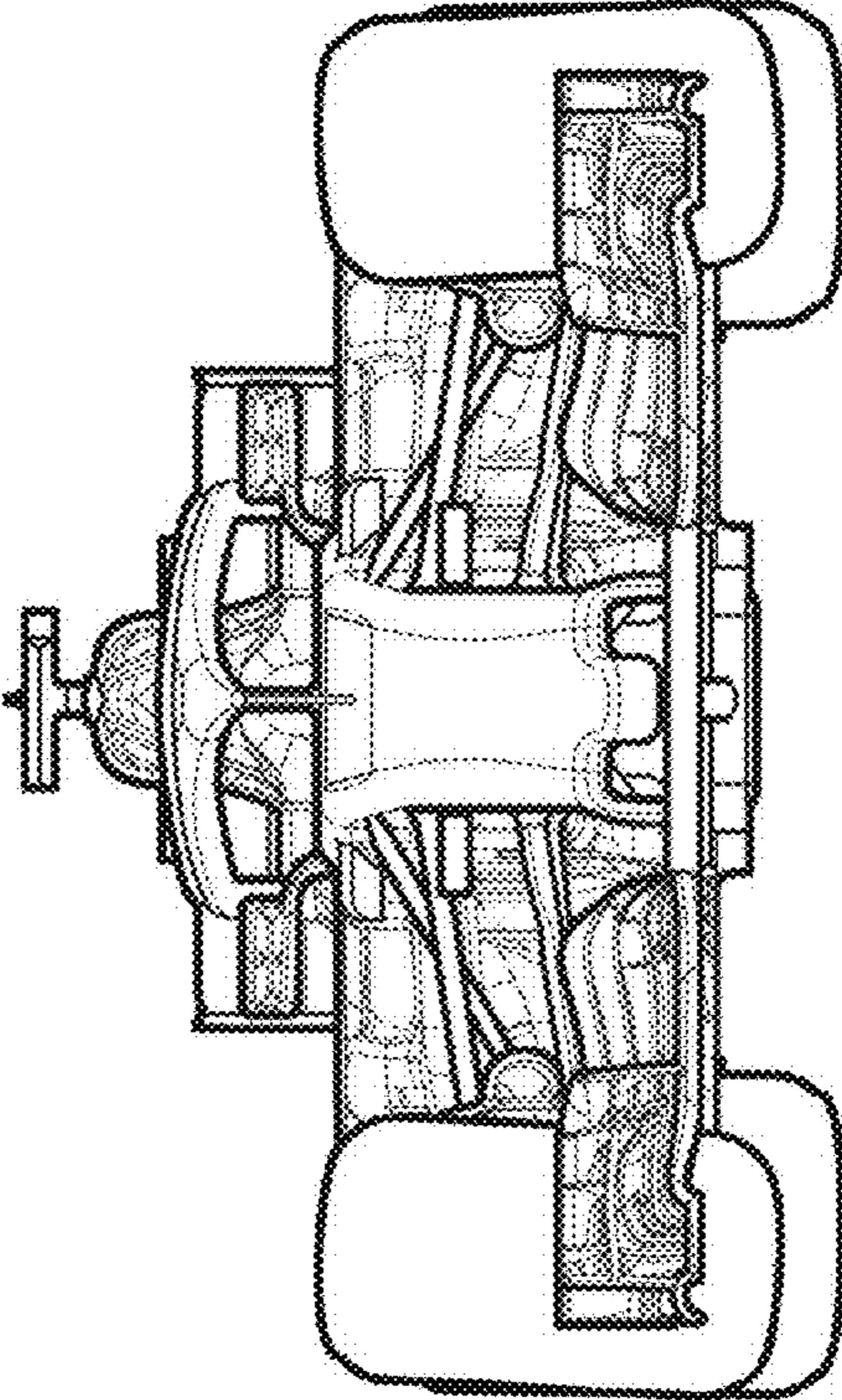


FIG. 4

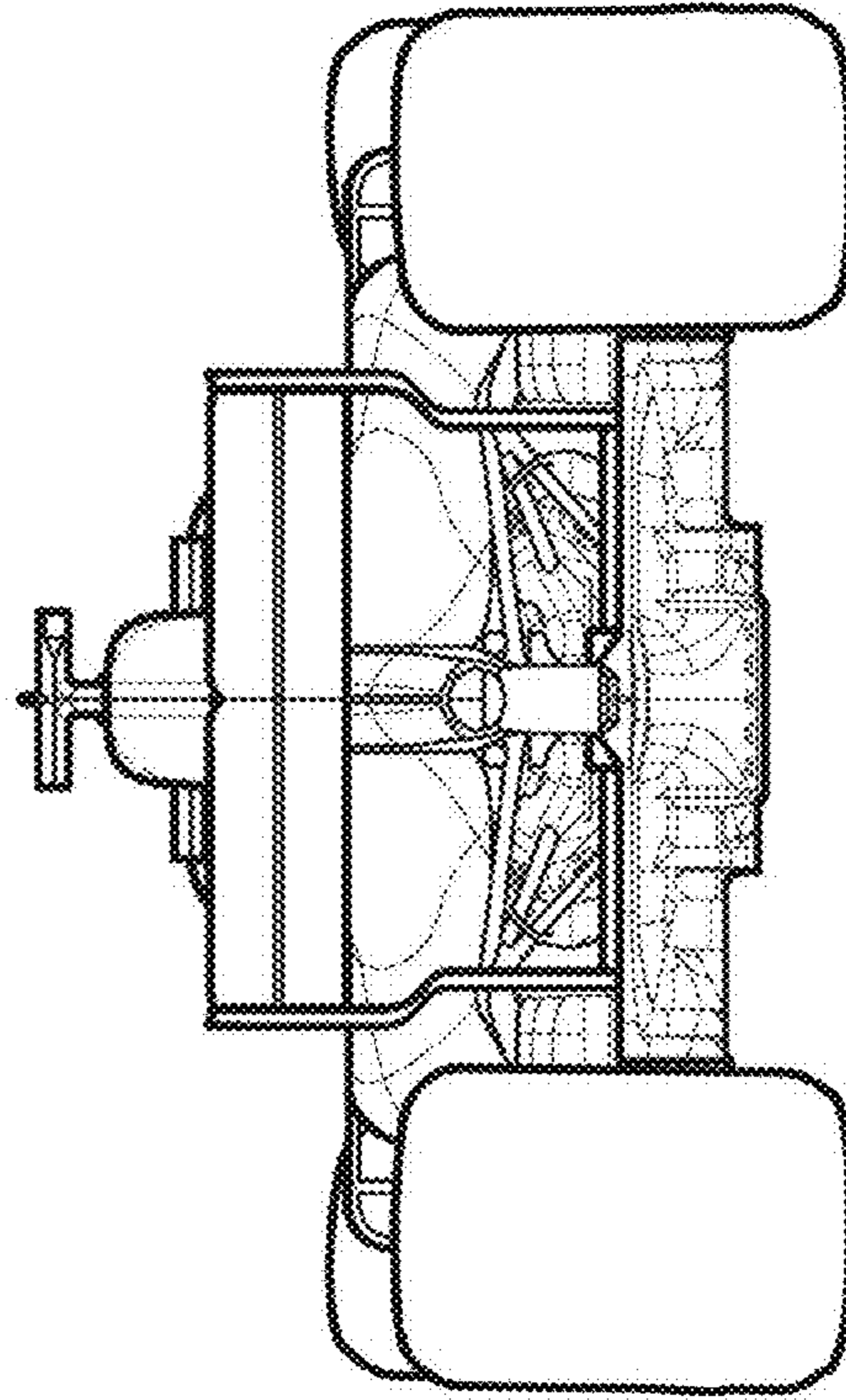


FIG. 5

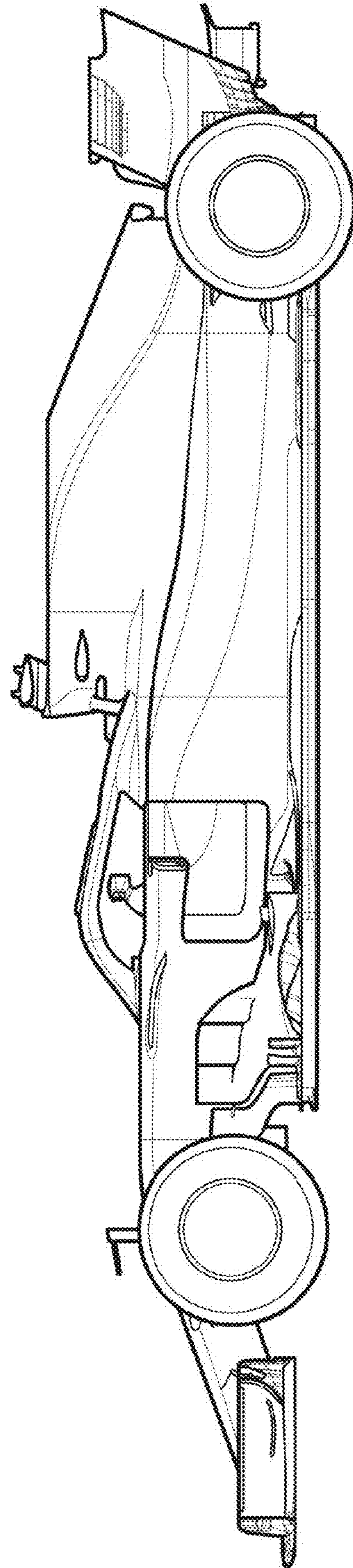


FIG. 6

