



US00D881067S

(12) **United States Design Patent**
Zhou

(10) **Patent No.:** **US D881,067 S**
(45) **Date of Patent:** **** Apr. 14, 2020**

- (54) **DRONE**
- (71) Applicant: **Jun Zhou**, Shantou (CN)
- (72) Inventor: **Jun Zhou**, Shantou (CN)
- (73) Assignee: **GUANGDONG SHIJI TECHNOLOGY CO., LTD.**, Shantou (CN)
- (**) Term: **15 Years**
- (21) Appl. No.: **29/682,832**
- (22) Filed: **Mar. 8, 2019**
- (30) **Foreign Application Priority Data**

Jan. 23, 2019 (CN) 2019 3 0037898

- (51) **LOC (12) Cl.** **12-07**
- (52) **U.S. Cl.**
USPC **D12/16.1**
- (58) **Field of Classification Search**
USPC D12/1, 2, 3, 4, 16.1, 319-345;
D21/437-455
CPC B64C 29/0033; B64C 2201/021; B64C
29/02; B64C 2201/088; B64C 2201/104;
B64C 2201/141
See application file for complete search history.

(56) **References Cited**

U.S. PATENT DOCUMENTS

D628,658 S *	12/2010	Wurm	D21/442
D710,454 S *	8/2014	Barajas	D12/16.1
D741,779 S *	10/2015	Hsiao	D12/16.1
D768,539 S *	10/2016	Lee	D12/16.1
D772,991 S *	11/2016	Caubel	D12/16.1
D793,486 S *	8/2017	Lee	D21/453
D795,741 S *	8/2017	Li	D12/16.1
D795,742 S *	8/2017	Li	D12/16.1

D795,743 S *	8/2017	Li	D12/16.1
D795,967 S *	8/2017	Haley	D12/16.1
D797,602 S *	9/2017	Li	D12/16.1
D798,961 S *	10/2017	Li	D21/441
D803,098 S *	11/2017	Lee	D12/16.1
D803,328 S *	11/2017	Lee	D21/441
D805,431 S *	12/2017	Li	D12/16.1
D806,606 S *	1/2018	Morrison	D12/16.1
D813,723 S *	3/2018	Ahn	D12/16.1
D813,724 S *	3/2018	Hu	D12/16.1
D814,970 S *	4/2018	Chen	D12/16.1
D814,971 S *	4/2018	Huang	D12/16.1
D816,546 S *	5/2018	Wang	D12/16.1
D817,850 S *	5/2018	Xiao	D12/328
D818,872 S *	5/2018	Ho	D12/16.1
D818,874 S *	5/2018	Tian	D12/16.1
D819,749 S *	6/2018	Caubel	D21/449
D830,896 S *	10/2018	Lutterodt	D12/16.1
D843,267 S *	3/2019	Gao	D12/16.1
D849,154 S *	5/2019	Zhao	D21/436
D850,978 S *	6/2019	Gao	D12/16.1
10,317,915 B2 *	6/2019	Tankersley	G05D 1/0094

(Continued)

Primary Examiner — Marissa J Cash

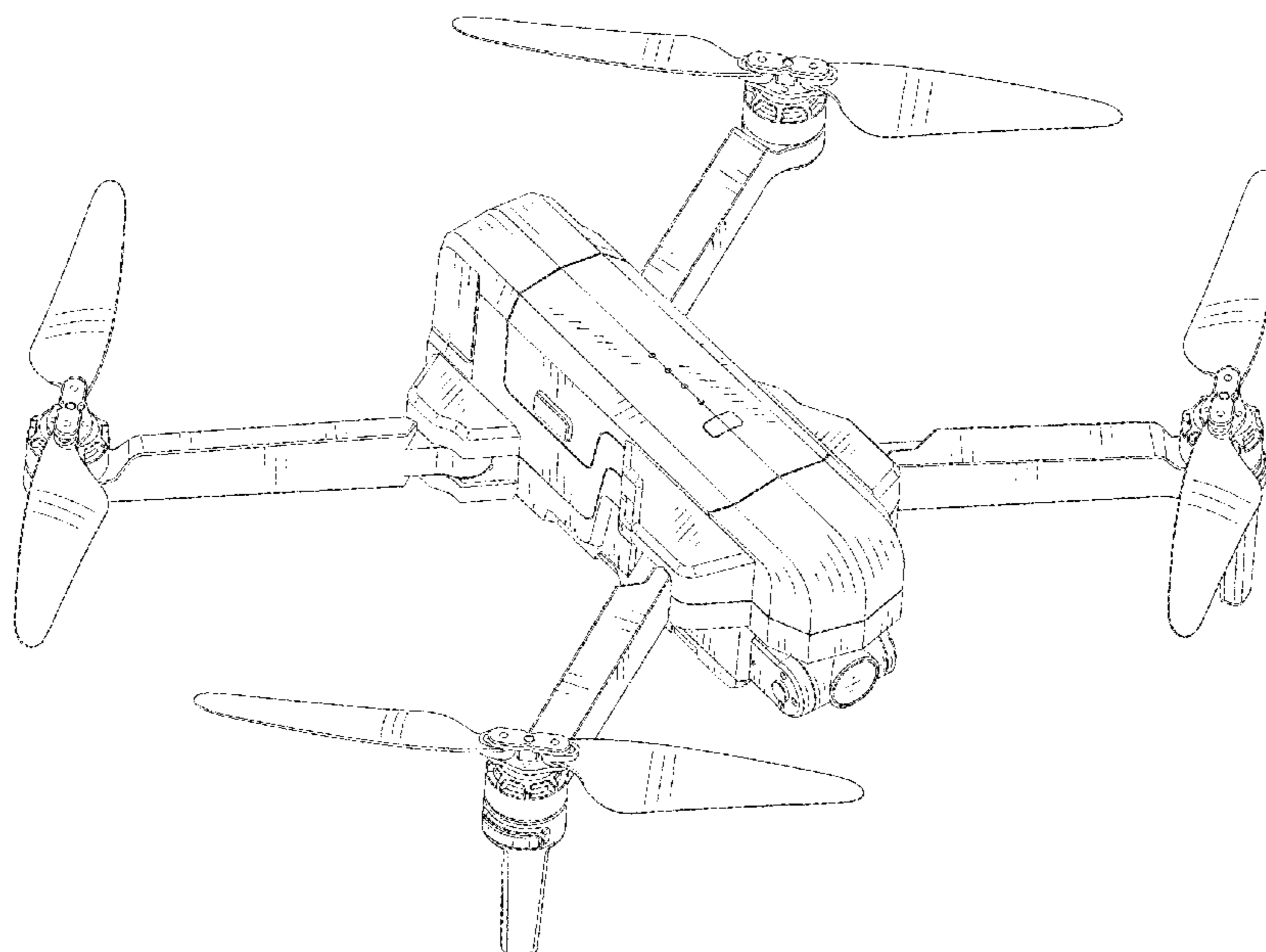
(57) **CLAIM**

The ornamental design for a drone, as shown and described.

DESCRIPTION

FIG. 1 is a front perspective view of the drone showing my new design;
 FIG. 2 is a rear perspective view thereof;
 FIG. 3 is a front elevational view thereof;
 FIG. 4 is a rear elevational view thereof;
 FIG. 5 is a left side elevational view thereof;
 FIG. 6 is a right side elevational view thereof;
 FIG. 7 is a top plan view thereof;
 FIG. 8 is a bottom plan view thereof; and,
 FIG. 9 is a perspective view thereof, showing the drone in packed shape.

1 Claim, 8 Drawing Sheets



(56)

References Cited

U.S. PATENT DOCUMENTS

D852,673	S	*	7/2019	Chen	D12/16.1
D853,279	S	*	7/2019	Gan	D12/16.1
D854,448	S	*	7/2019	Chen	D12/16.1
D856,848	S	*	8/2019	Kim	D12/16.1
D858,353	S	*	9/2019	Gan	D12/16.1
D860,047	S	*	9/2019	Gan	D12/16.1
D860,048	S	*	9/2019	Caubel	D12/16.1
D861,573	S	*	10/2019	He	D12/328
D864,022	S	*	10/2019	Gan	D12/16.1
D864,082	S	*	10/2019	Zhou	D12/328
D864,083	S	*	10/2019	Zhou	D12/328
D866,396	S	*	11/2019	Chen	D12/16.1
D869,375	S	*	12/2019	Kim	D12/328
D873,175	S	*	1/2020	Li	D12/16.1
D874,973	S	*	2/2020	Zhou	D12/16.1
D874,974	S	*	2/2020	Zhou	D12/16.1
2017/0001721	A1	*	1/2017	Saika	B64C 39/024
2018/0149947	A1	*	5/2018	Kim	G05D 1/0038

* cited by examiner

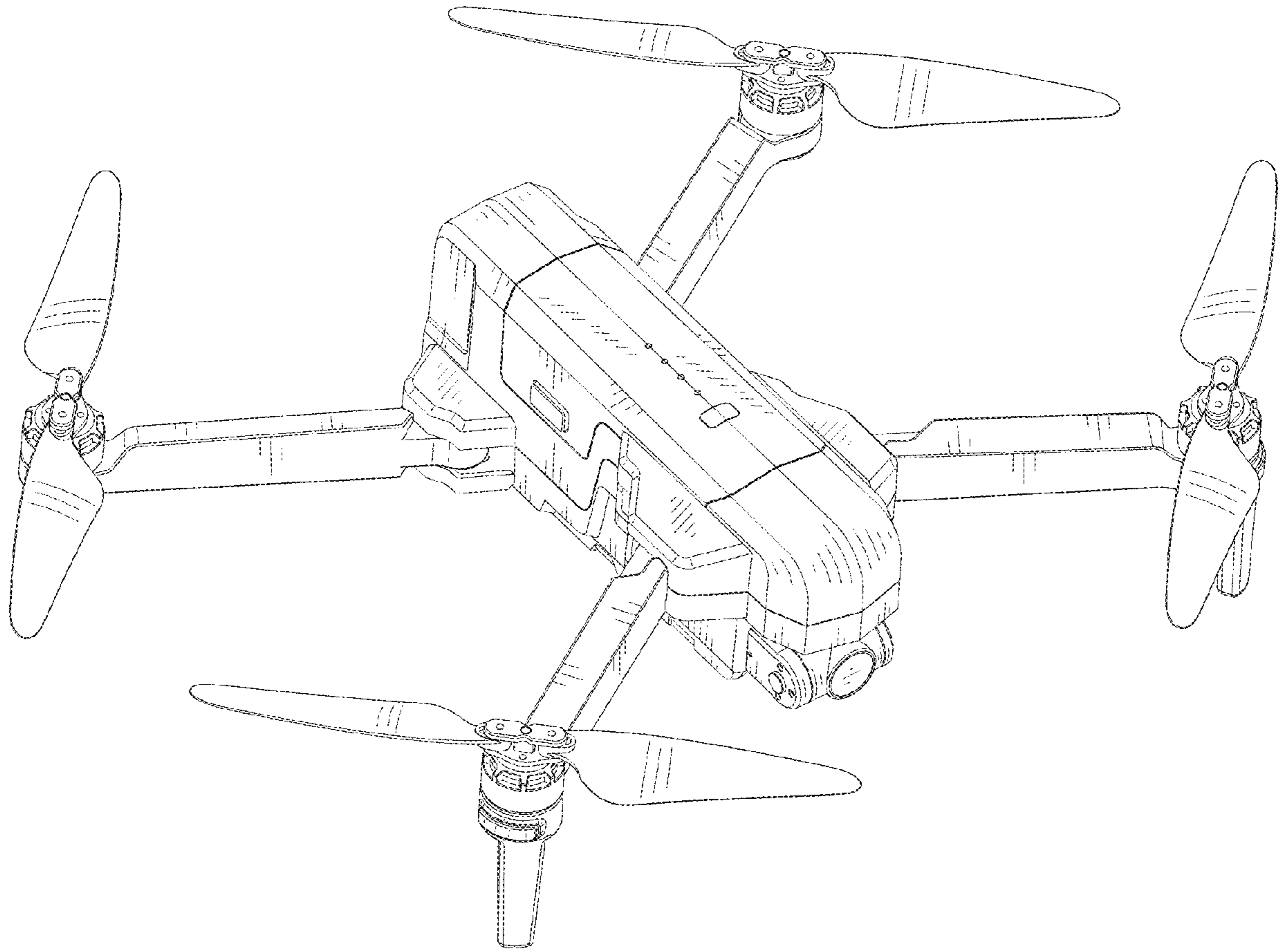


FIG.1

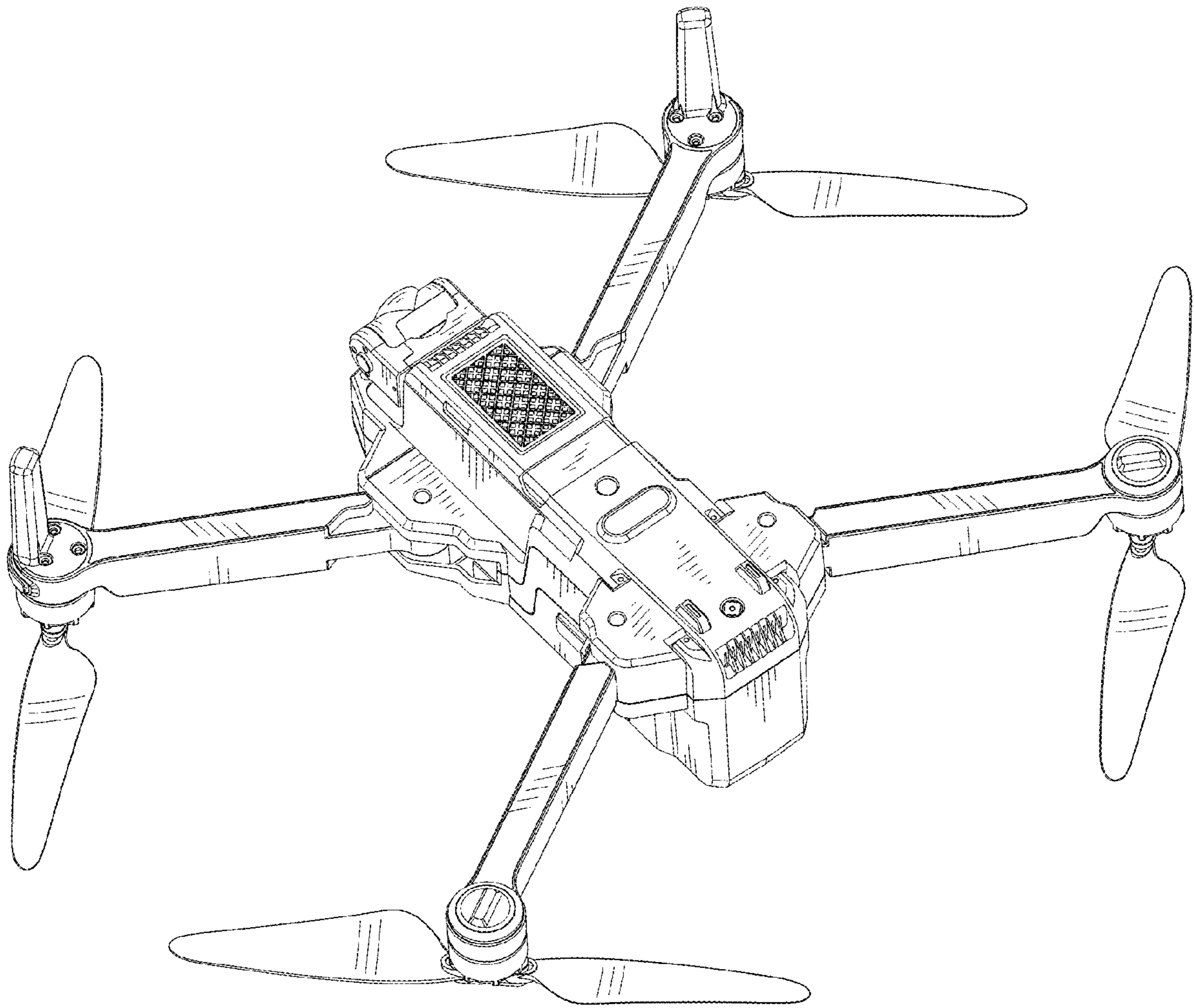


FIG. 2

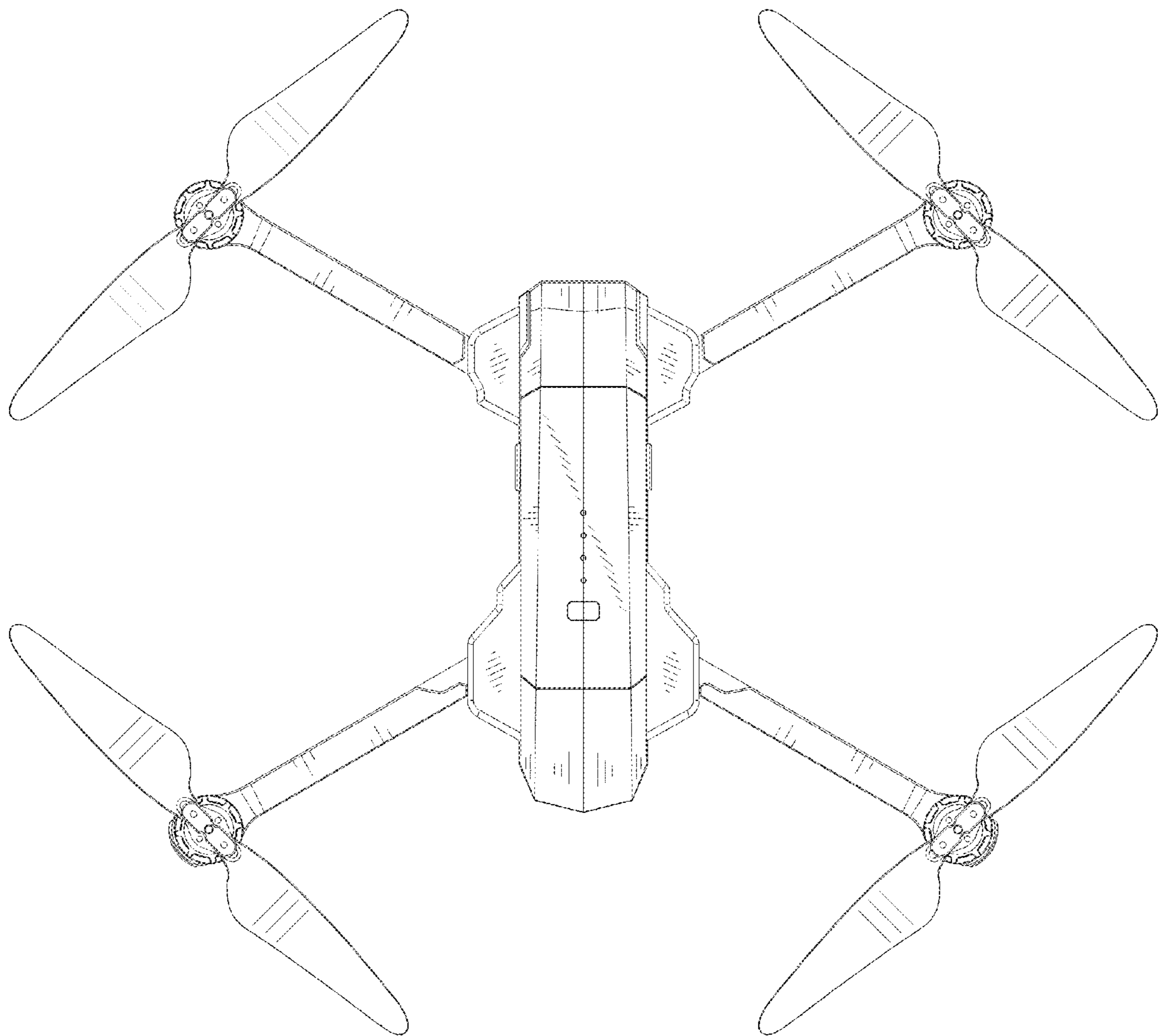


FIG.3

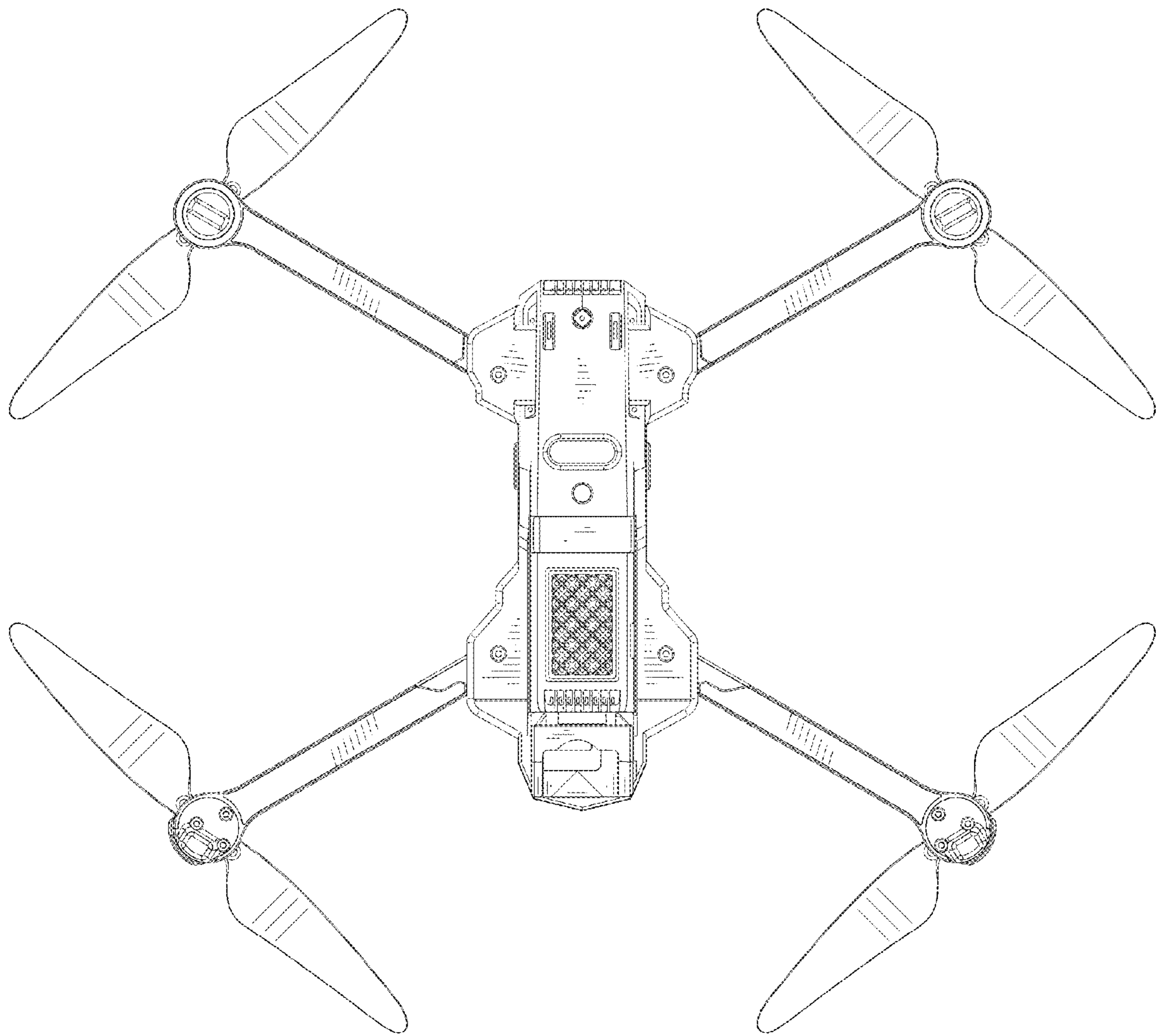


FIG.4

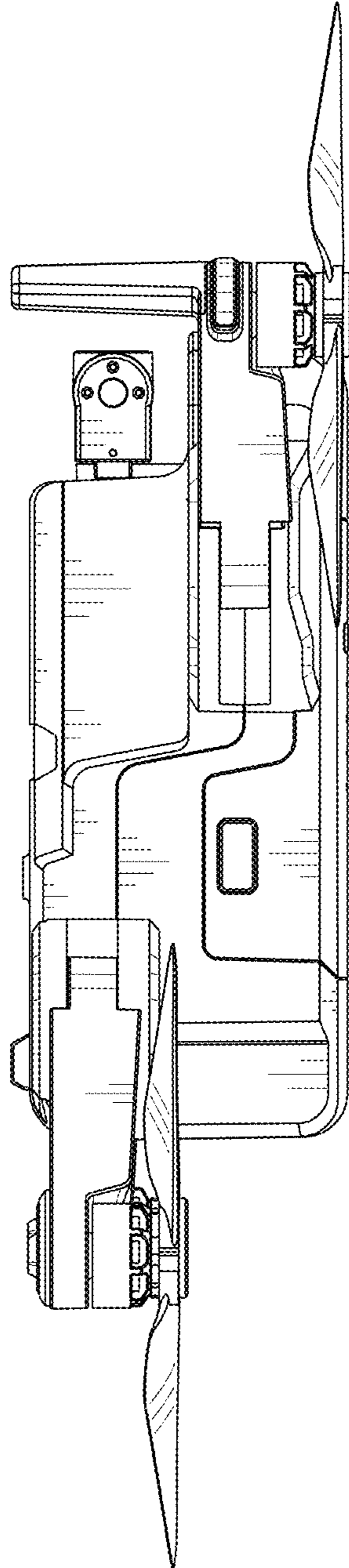


FIG.5

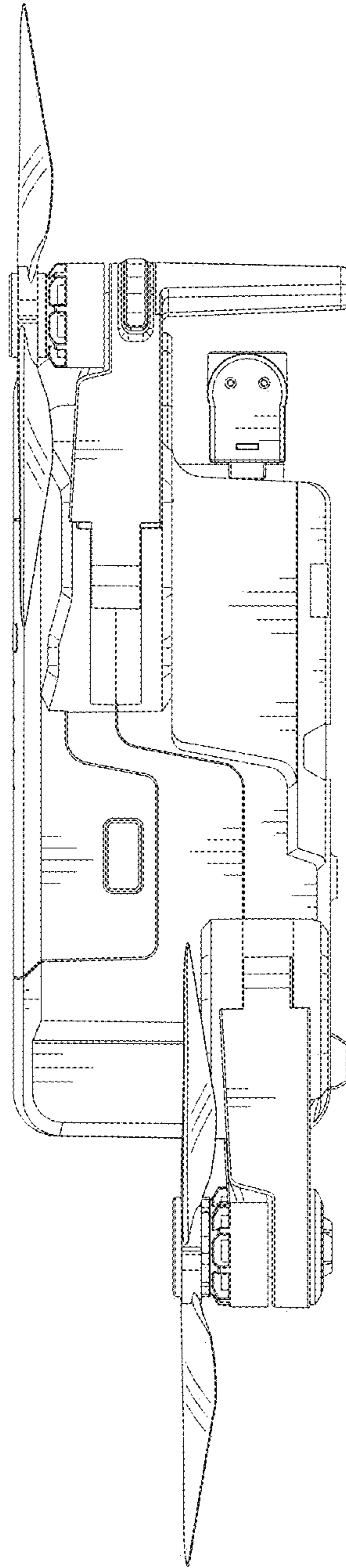


FIG. 6

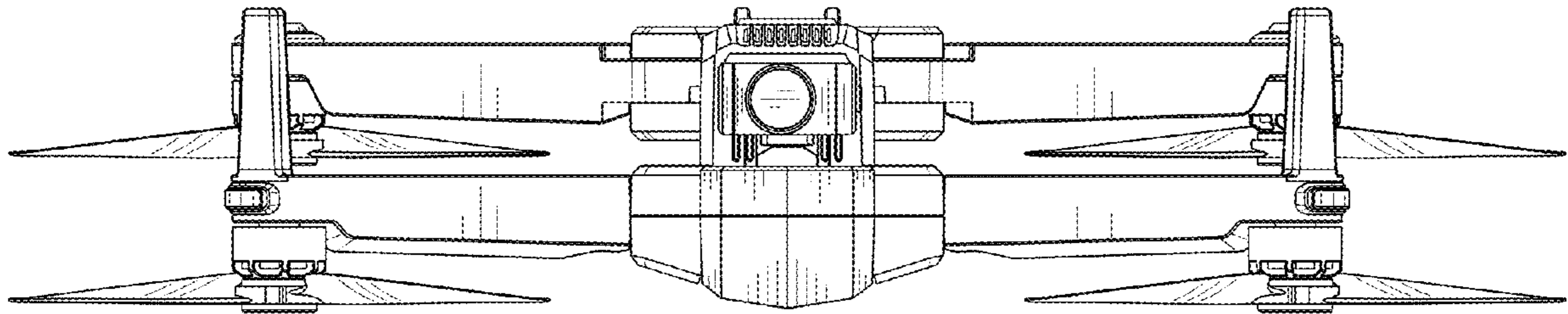


FIG. 7

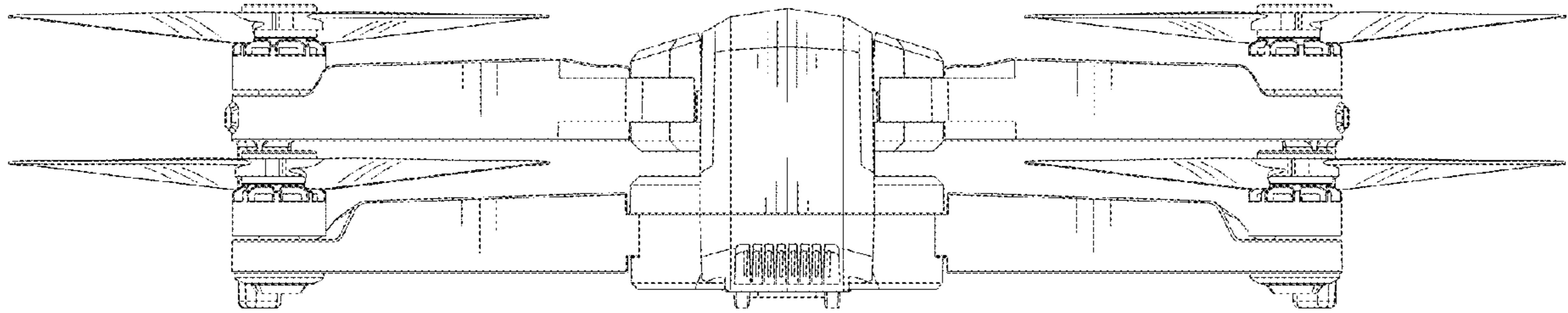


FIG. 8

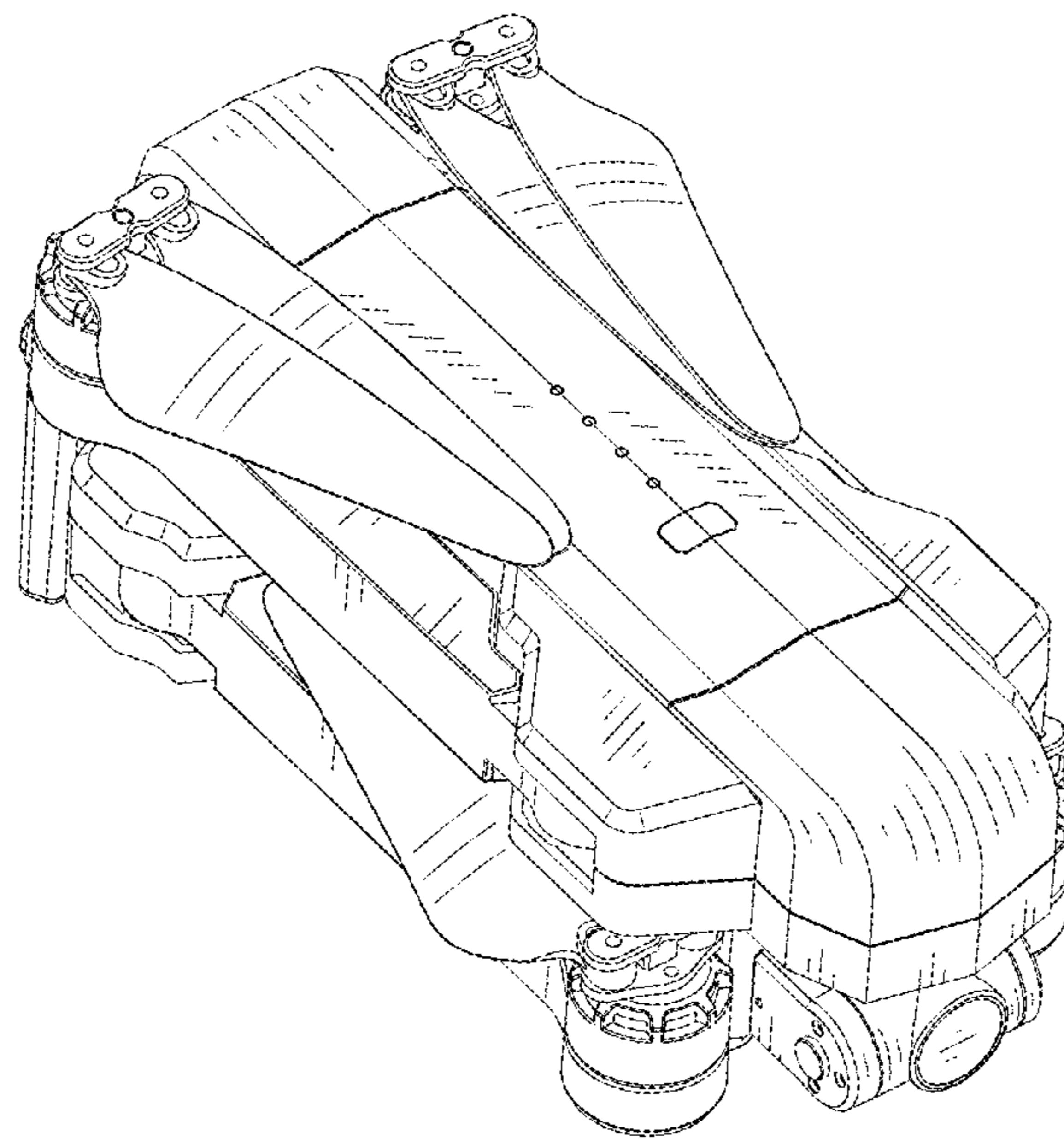


FIG.9