



US00D881066S

(12) **United States Design Patent**
Paik et al.

(10) **Patent No.:** **US D881,066 S**
(45) **Date of Patent:** **** Apr. 14, 2020**

(54) **BUCKLE FOR BAGS**

(71) Applicant: **WOOJIN PLASTIC CO., LTD.**,
Guri-si, Gyeonggi-do (KR)

(72) Inventors: **Jisook Paik**, Seoul (KR); **Nan Hee Paik**, Seoul (KR); **Ji Hye Paik**, Seoul (KR); **Ji Won Son**, Seoul (KR)

(73) Assignee: **WOOJIN PLASTIC CO., LTD.**,
Guri-si, Gyeonggi-Do (KR)

(**) Term: **15 Years**

(21) Appl. No.: **29/656,884**

(22) Filed: **Jul. 17, 2018**

(51) **LOC (12) Cl.** **02-07**

(52) **U.S. Cl.**
USPC **D11/216**

(58) **Field of Classification Search**
USPC D2/624–640, 853, 976; D3/24, 213, 215, D3/216, 230, 222; D8/14, 16, 19, 331, D8/343, 349, 356, 358, 359, 360, 363, D8/366, 371, 382, 394, 395; D10/32; D11/1–3, 87, 93, 200, 201, 206–210, D11/212–219, 220, 230–237; D29/100–101.5, 122, 129; D30/139, 152, D30/153
CPC A44B 11/00; A44B 11/02; A44B 11/04; A44B 11/05; A44B 11/06; A44B 11/10; A44B 11/14; A44B 11/18; A44B 11/22; A44B 11/26; A44B 11/125; A44B 11/233; A44B 11/001; A44B 11/005; A44B 11/006; A44B 11/2503; A44B 11/2507; A44B 11/2526; A44B 11/2553; A44B 11/2592; A44B 11/2519; A44B 11/2452; A44B 13/00; A41F 1/008; A41F 9/002; A41F 9/007; A41F 15/002; B60R 22/30; B60R 22/32; B60R 22/002; B60R 2022/1806; B60R 2022/1812; B60R 2022/281; B65D 63/16; A62B 35/00

See application file for complete search history.

(56) **References Cited**

U.S. PATENT DOCUMENTS

D621,743 S *	8/2010	Hortnagl	D11/216
D621,744 S *	8/2010	Hortnagl	D11/218
D627,684 S *	11/2010	Curtis	D11/216
D692,227 S *	10/2013	Andren	D3/213
D702,594 S *	4/2014	Lin	D11/216
D703,580 S *	4/2014	Lin	D11/216

(Continued)

OTHER PUBLICATIONS

Woojin Plastic—Shell Buckle, no date available, [online], [site visited Jan. 3, 2020]. Retrieved from url:http://www.woojinplastic.com/kr/product/view.php?idx=134&part1_idx=16&part_idx=18 (Year: 2020).*

Primary Examiner — Michelle E. Wilson

Assistant Examiner — Tracey J Bell

(74) *Attorney, Agent, or Firm* — Novick, Kim & Lee, PLLC; Jae Youn Kim

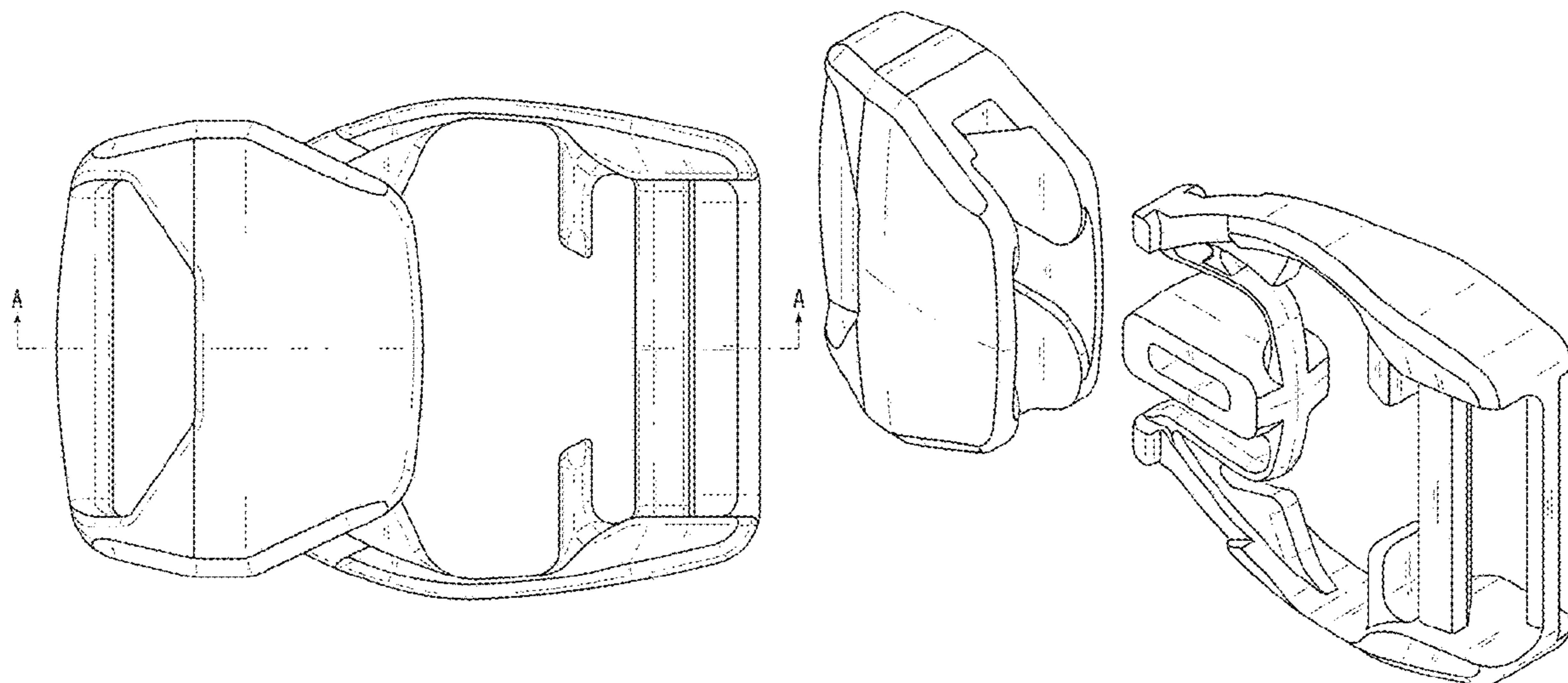
(57) **CLAIM**

The ornamental design for a buckle for bags, as shown and described.

DESCRIPTION

FIG. 1 is a perspective view of a buckle for bags showing our new design;
FIG. 2 is a front view thereof;
FIG. 3 is a rear view thereof;
FIG. 4 is a left-side view thereof;
FIG. 5 is a right-side view thereof;
FIG. 6 is a top view of thereof;
FIG. 7 is a bottom view thereof;
FIG. 8 is a cross-sectional view taken along line A-A in FIG. 2; and,
FIG. 9 is an exploded perspective view of the buckle for bags.

1 Claim, 9 Drawing Sheets



(56)

References Cited

U.S. PATENT DOCUMENTS

D705,122 S * 5/2014 Nykoluk D11/216
D733,419 S * 7/2015 Wikner D3/214
D770,327 S * 11/2016 Chan D11/216
9,770,072 B2 * 9/2017 Hortnagl A44B 11/02
D803,549 S * 11/2017 Warfaa D3/214
D807,025 S * 1/2018 Elmberg D3/214
D851,916 S * 6/2019 Andersson D3/214
D858,938 S * 9/2019 He D2/627
2012/0198666 A1 * 8/2012 Nanbu A44B 11/266
24/608
2014/0298630 A1 * 10/2014 Hortnagl A44B 11/2592
24/697.2

* cited by examiner

Fig. 1

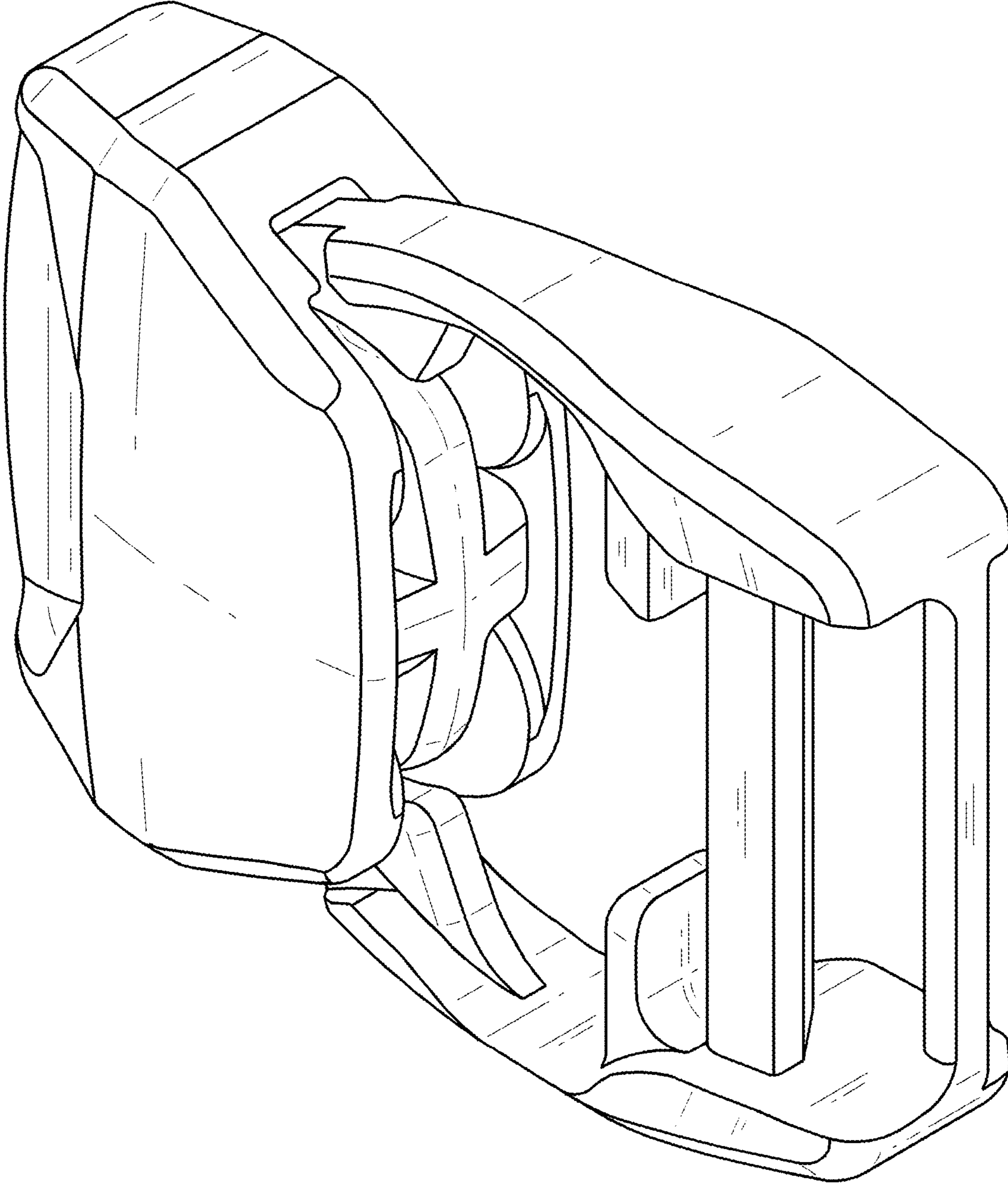


Fig. 2

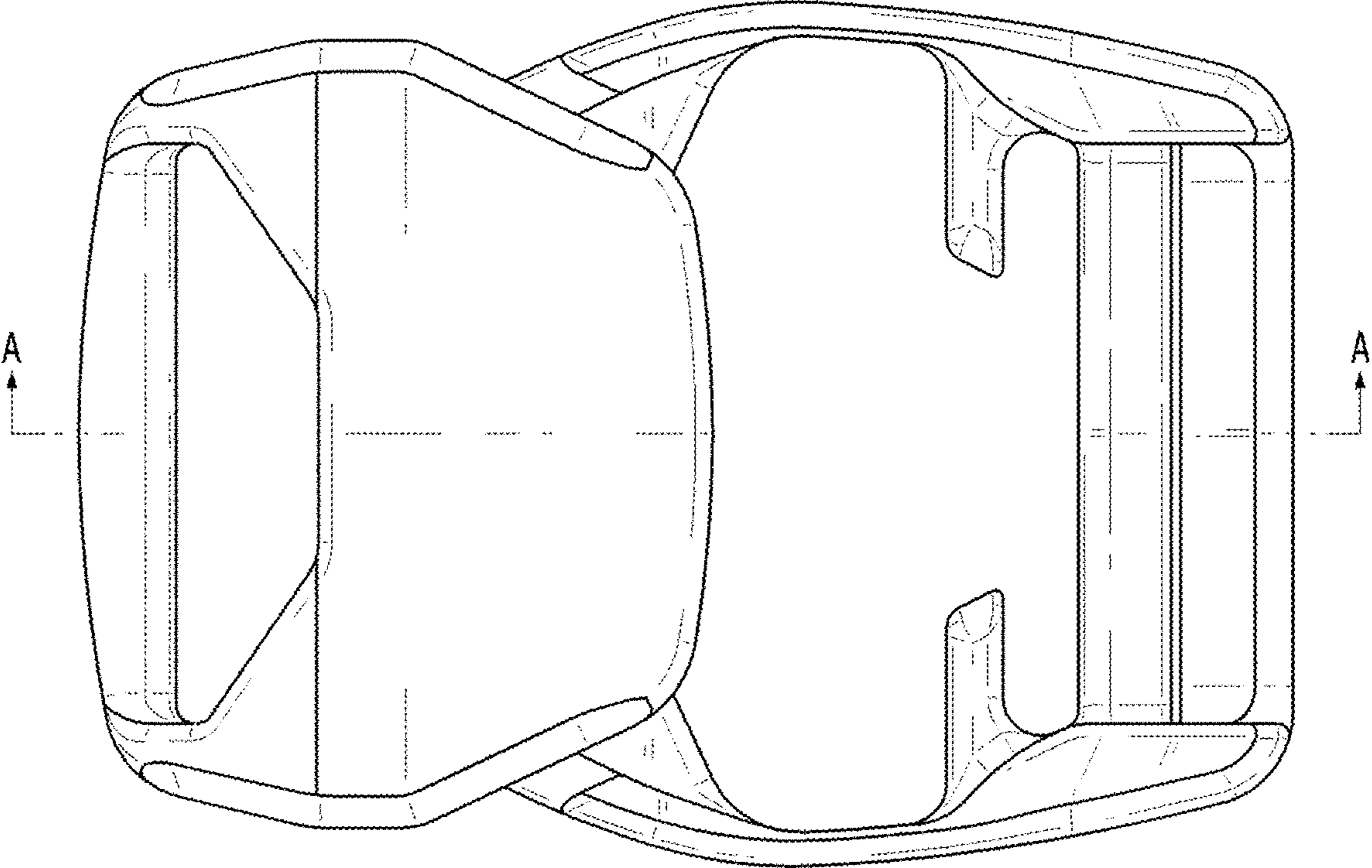


Fig. 3

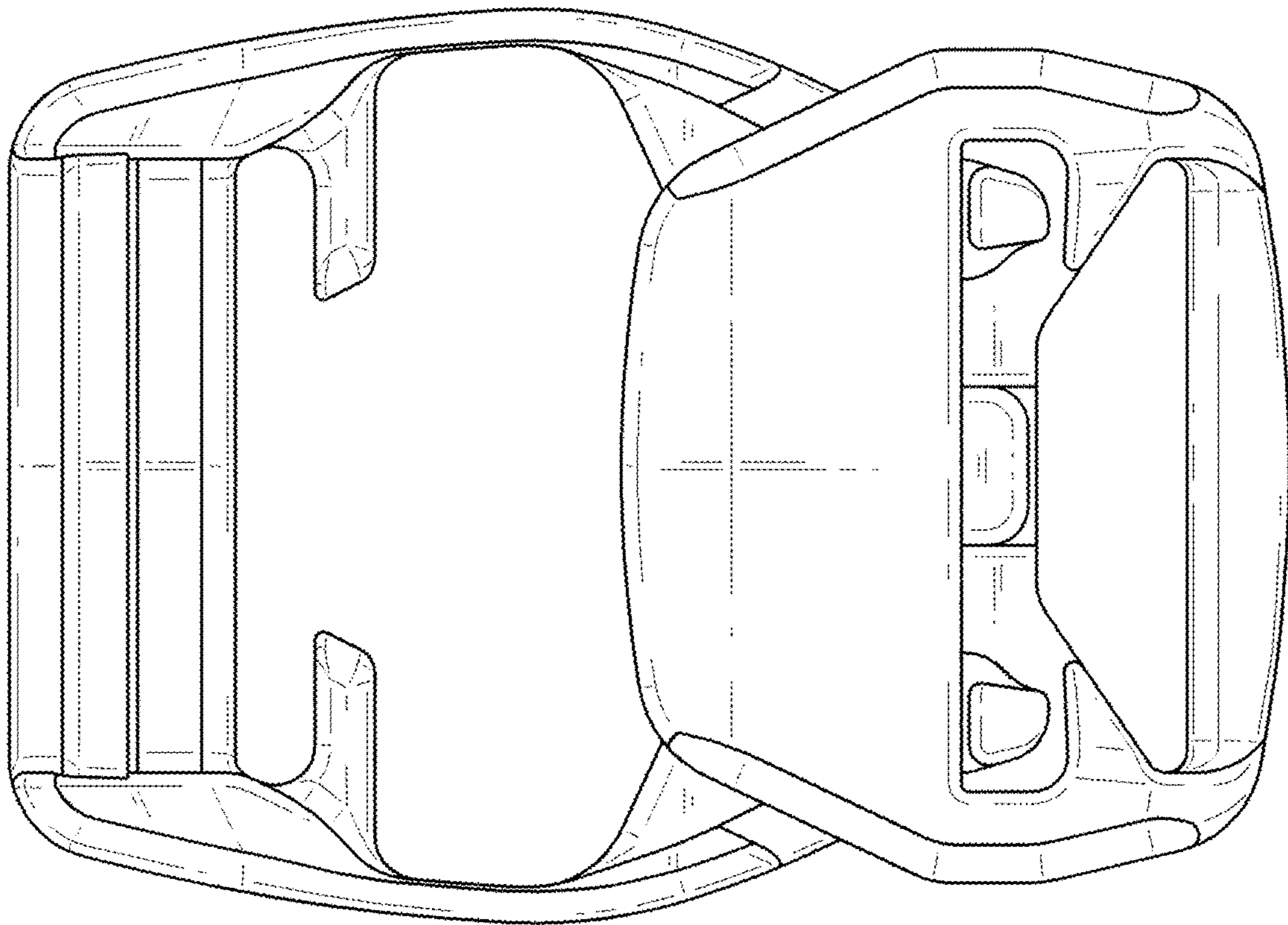


Fig. 4

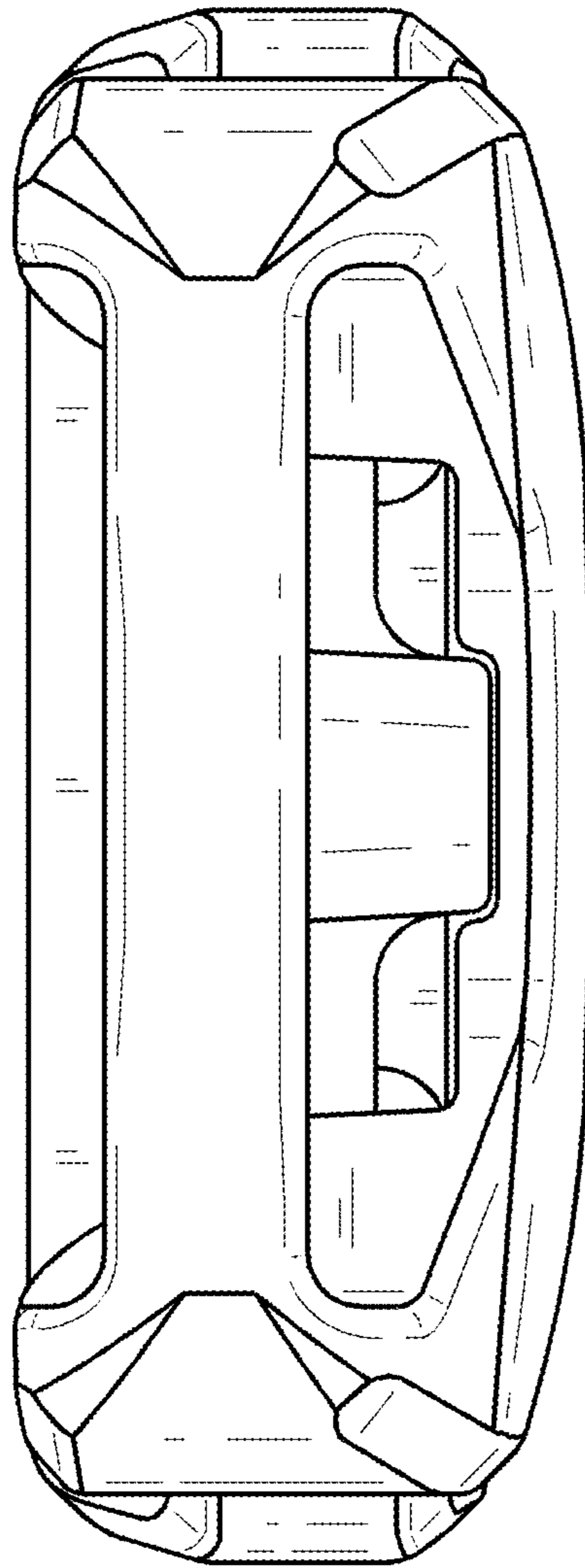


Fig. 5

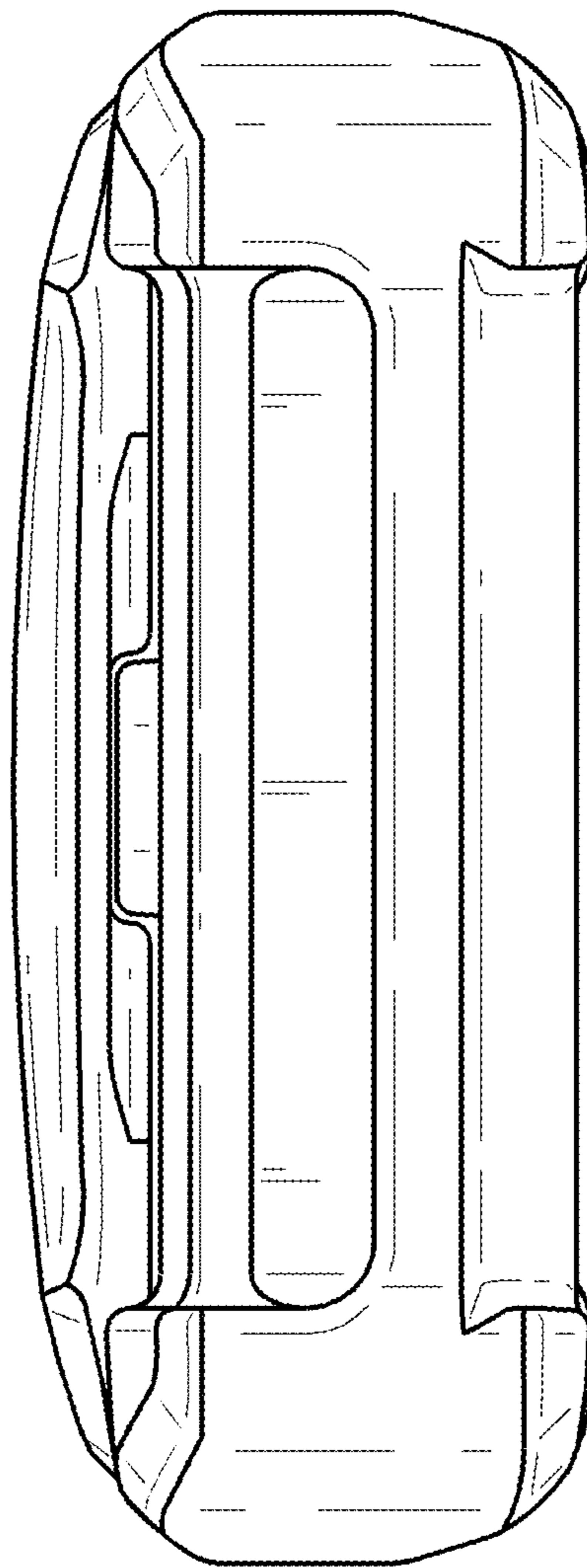


Fig. 6

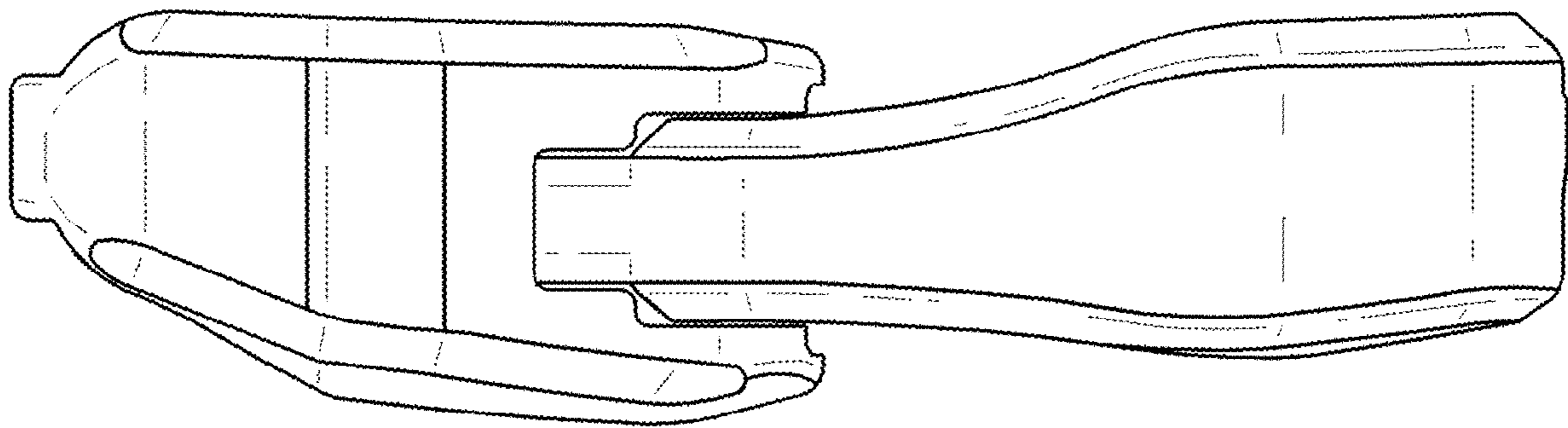


Fig. 7

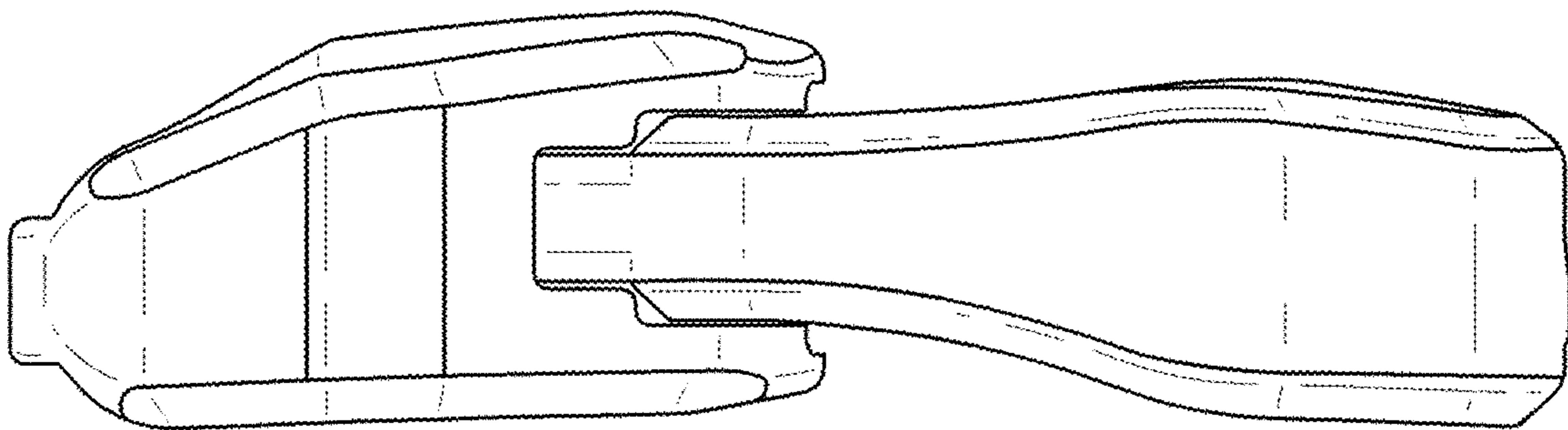


Fig. 8

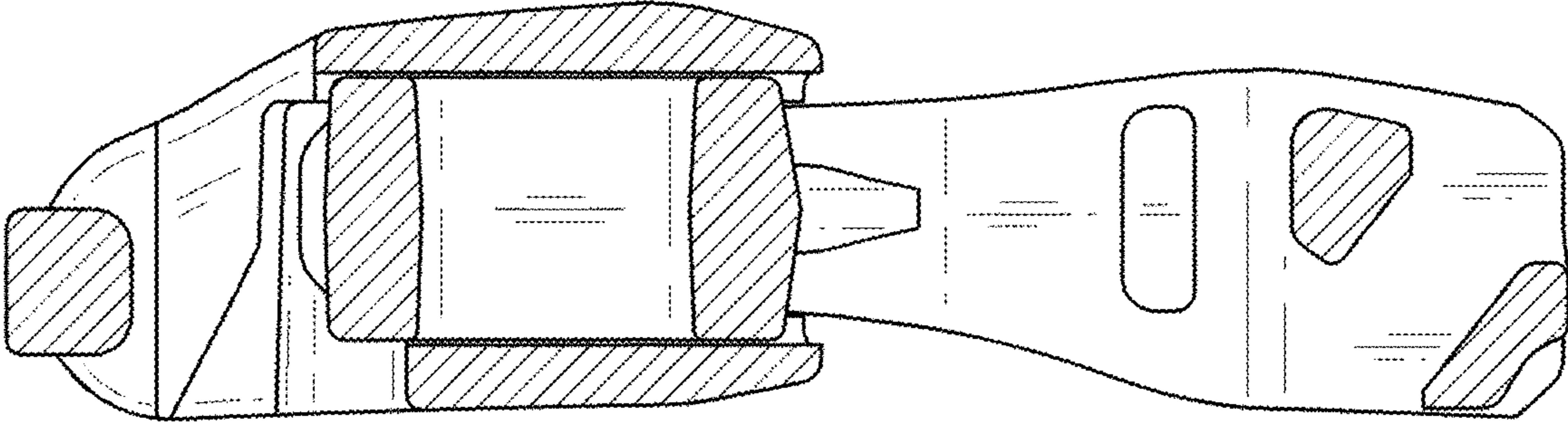


Fig. 9

