



US00D881064S

(12) **United States Design Patent**  
**Ozmeral et al.**

(10) **Patent No.:** **US D881,064 S**

(45) **Date of Patent:** **\*\* Apr. 14, 2020**

(54) **VISUAL TOOL**

(71) Applicants: **Cenan Ozmeral**, Flagler Beach, FL  
(US); **Gary Edward Bruce**, St.  
Augustine, FL (US)

(72) Inventors: **Cenan Ozmeral**, Flagler Beach, FL  
(US); **Gary Edward Bruce**, St.  
Augustine, FL (US)

(\*\*) Term: **15 Years**

(21) Appl. No.: **29/627,801**

(22) Filed: **Nov. 29, 2017**

(51) **LOC (12) Cl.** ..... **11-02**

(52) **U.S. Cl.**  
USPC ..... **D11/163**; D12/319

(58) **Field of Classification Search**  
USPC ..... D12/319-345, 16.1, 1-4, 415, 401;  
D21/436-455, 769, 771; D99/99;  
D11/113, 163; D19/138  
CPC ..... B64C 2201/146; B64C 2201/027; B64C  
2201/104; B64C 25/06; B64C 25/24;  
B64C 39/04; B64C 5/02  
See application file for complete search history.

(56) **References Cited**

**U.S. PATENT DOCUMENTS**

D115,251 S *	6/1939	Defren	.....	D11/163
D138,037 S *	6/1944	Cuomo	.....	D21/450
D179,420 S *	12/1956	Kappus	.....	D12/326
D190,036 S *	4/1961	Lakin	.....	D21/455
D195,860 S *	8/1963	Thorson	.....	D21/454
D201,409 S *	6/1965	Flett	.....	D12/325
D209,303 S *	11/1967	Zadek	.....	D21/455
D209,460 S *	12/1967	Ostrander	.....	D21/455

D213,710 S *	4/1969	Jacobs	.....	D21/442
D260,275 S *	8/1981	Strauss	.....	D21/455
D269,665 S *	7/1983	Lehr	.....	415/909
D314,598 S *	2/1991	Capper	.....	D21/468
D434,457 S *	11/2000	Goldman	.....	D21/440
D542,708 S *	5/2007	Lawrence	.....	D11/163
D583,293 S *	12/2008	Frost	.....	D12/319
D667,893 S *	9/2012	Smith	.....	D21/451
D697,145 S *	1/2014	Wong	.....	D21/436
D814,350 S *	4/2018	Joo	.....	D12/16.1
D821,264 S *	6/2018	Choo	.....	D12/16.1
10,106,277 B2 *	10/2018	Neely	.....	B64D 47/08
D856,259 S *	8/2019	Li	.....	D12/328
2016/0280359 A1 *	9/2016	Semke	.....	B64C 25/32
2019/0322362 A1 *	10/2019	Santangelo	.....	B64C 39/024

\* cited by examiner

*Primary Examiner* — Marissa J Cash

(74) *Attorney, Agent, or Firm* — Leydig, Voit & Mayer,  
Ltd.

(57) **CLAIM**

The ornamental design for a visual tool, as shown and described.

**DESCRIPTION**

FIG. 1 is a top right front perspective view of the visual tool showing our new design;

FIG. 2 is a right side elevational view thereof;

FIG. 3 is a left side elevational view thereof;

FIG. 4 is a rear elevational view thereof;

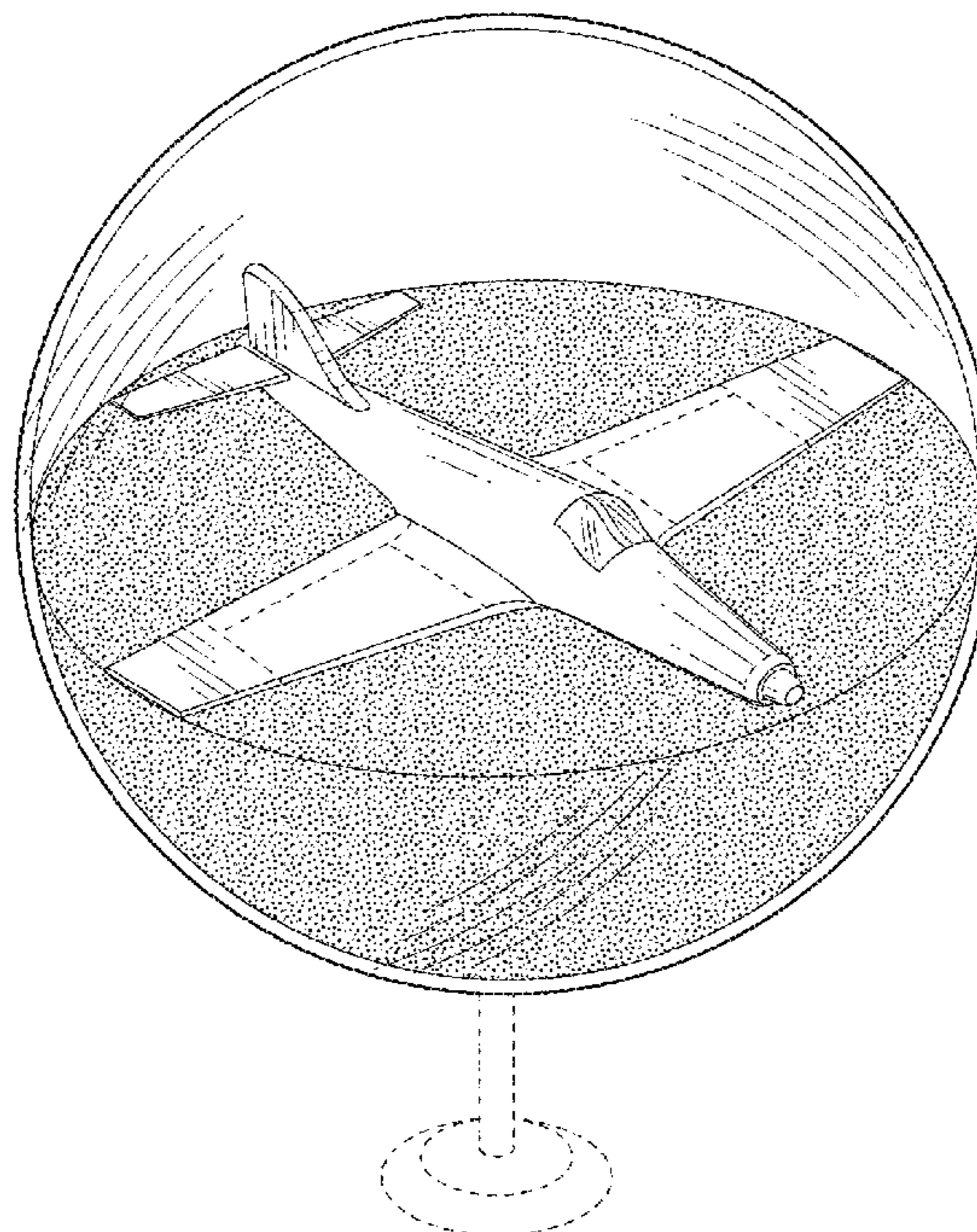
FIG. 5 is a front elevational view thereof;

FIG. 6 is a top plan view thereof; and,

FIG. 7 is a bottom plan view thereof.

The stippled portion of the design is a colored fluid. Any broken lines in the drawings indicate portions which form no part of the claimed design.

**1 Claim, 4 Drawing Sheets**



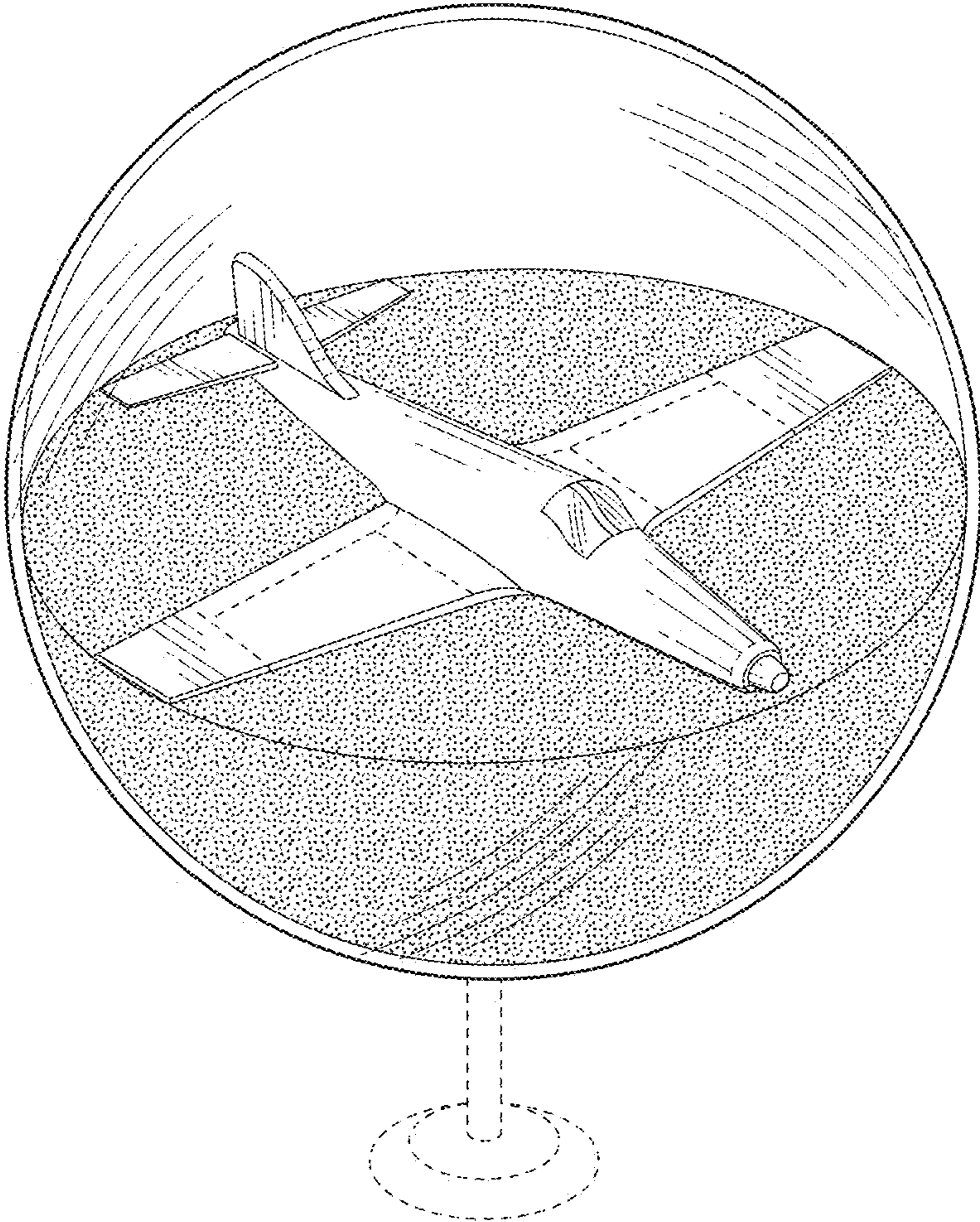


FIG. 1



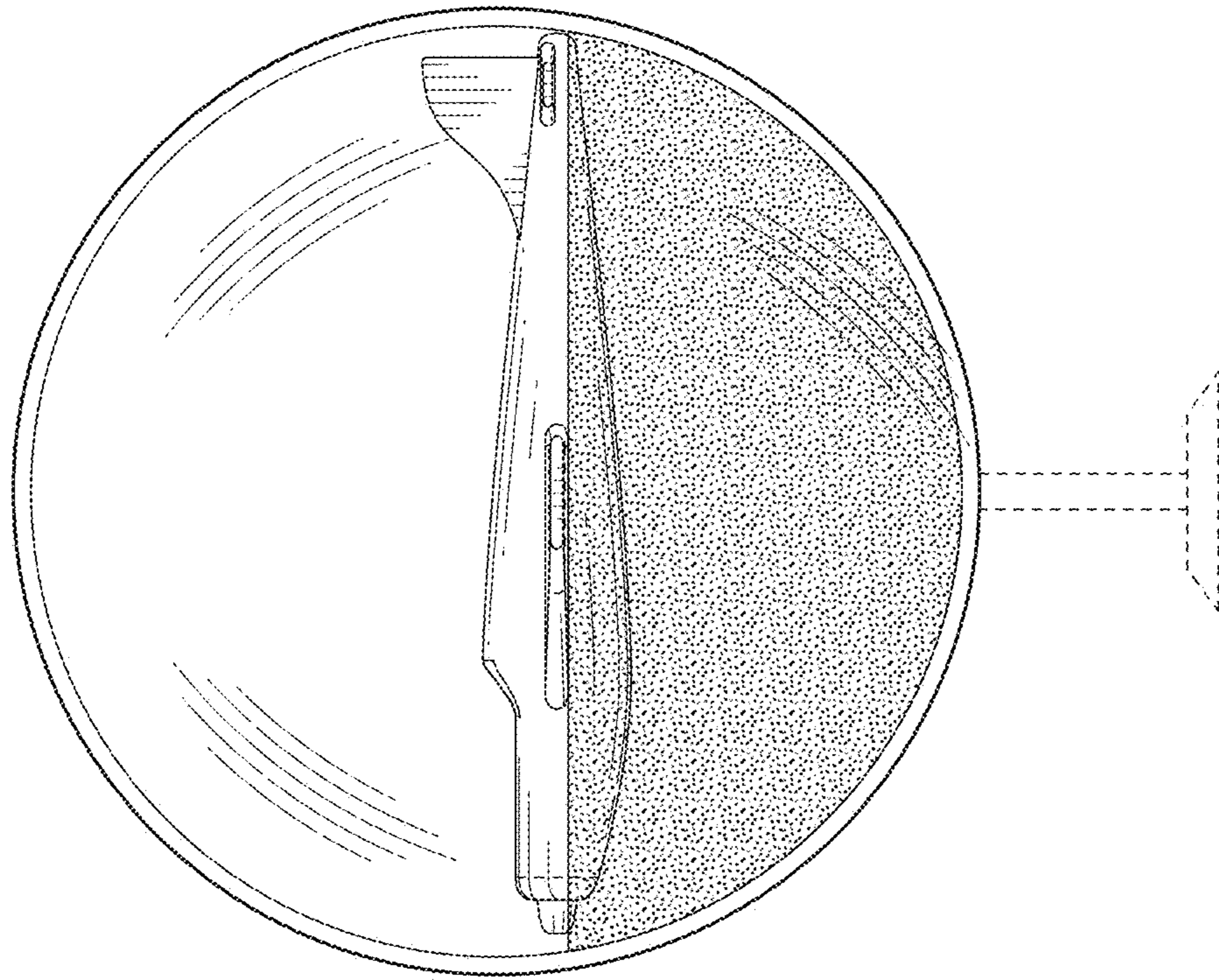


FIG. 2

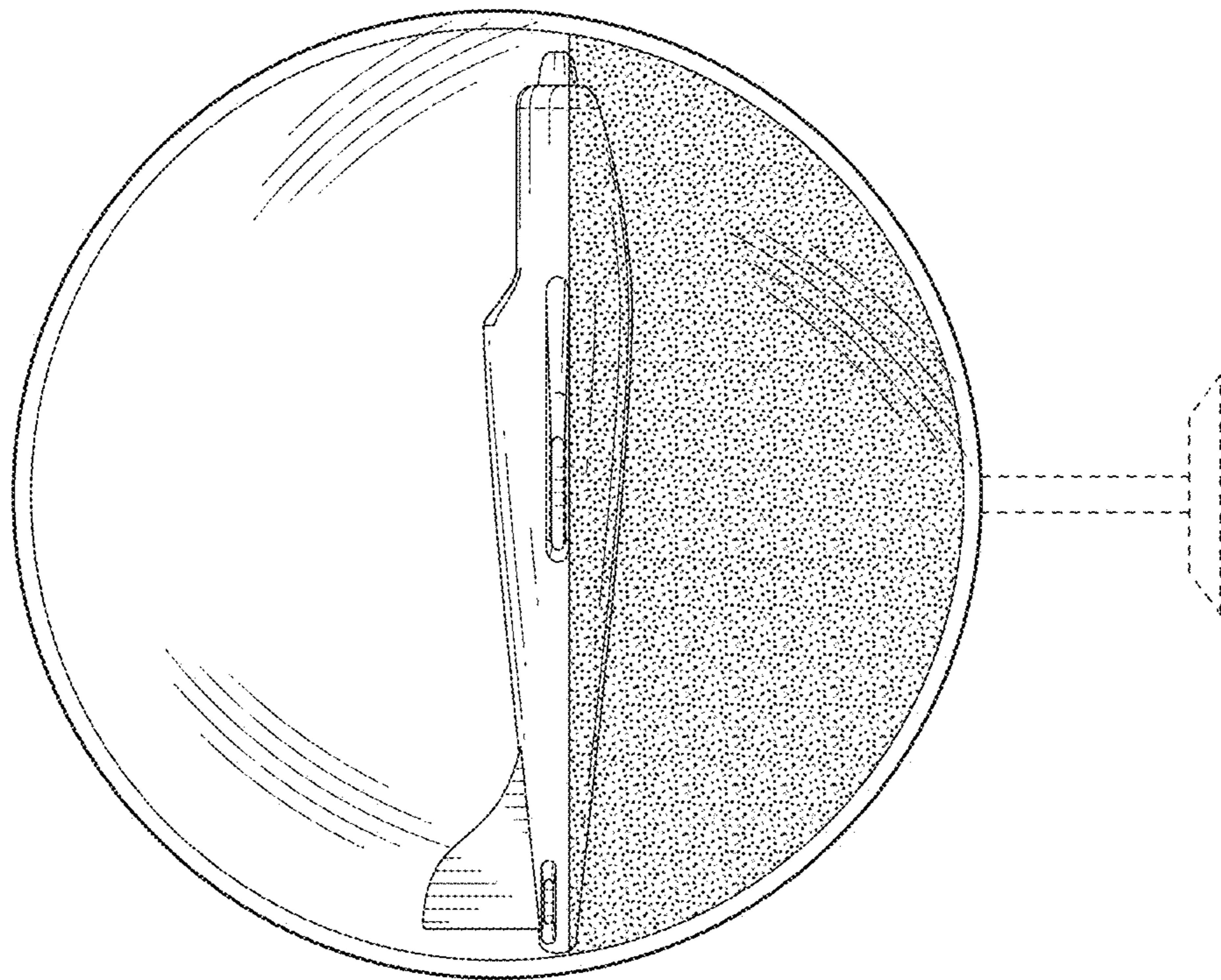


FIG. 3

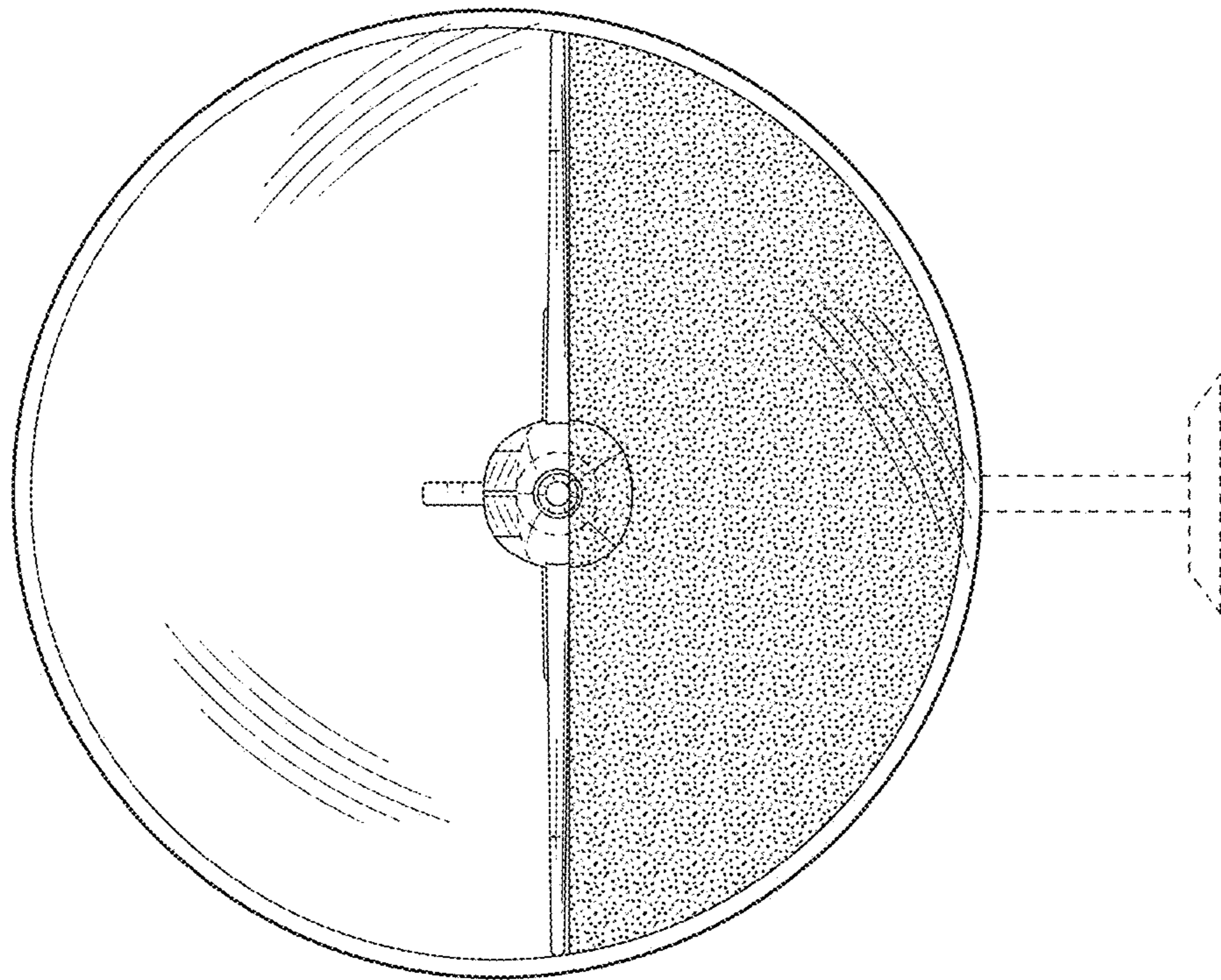


FIG. 5

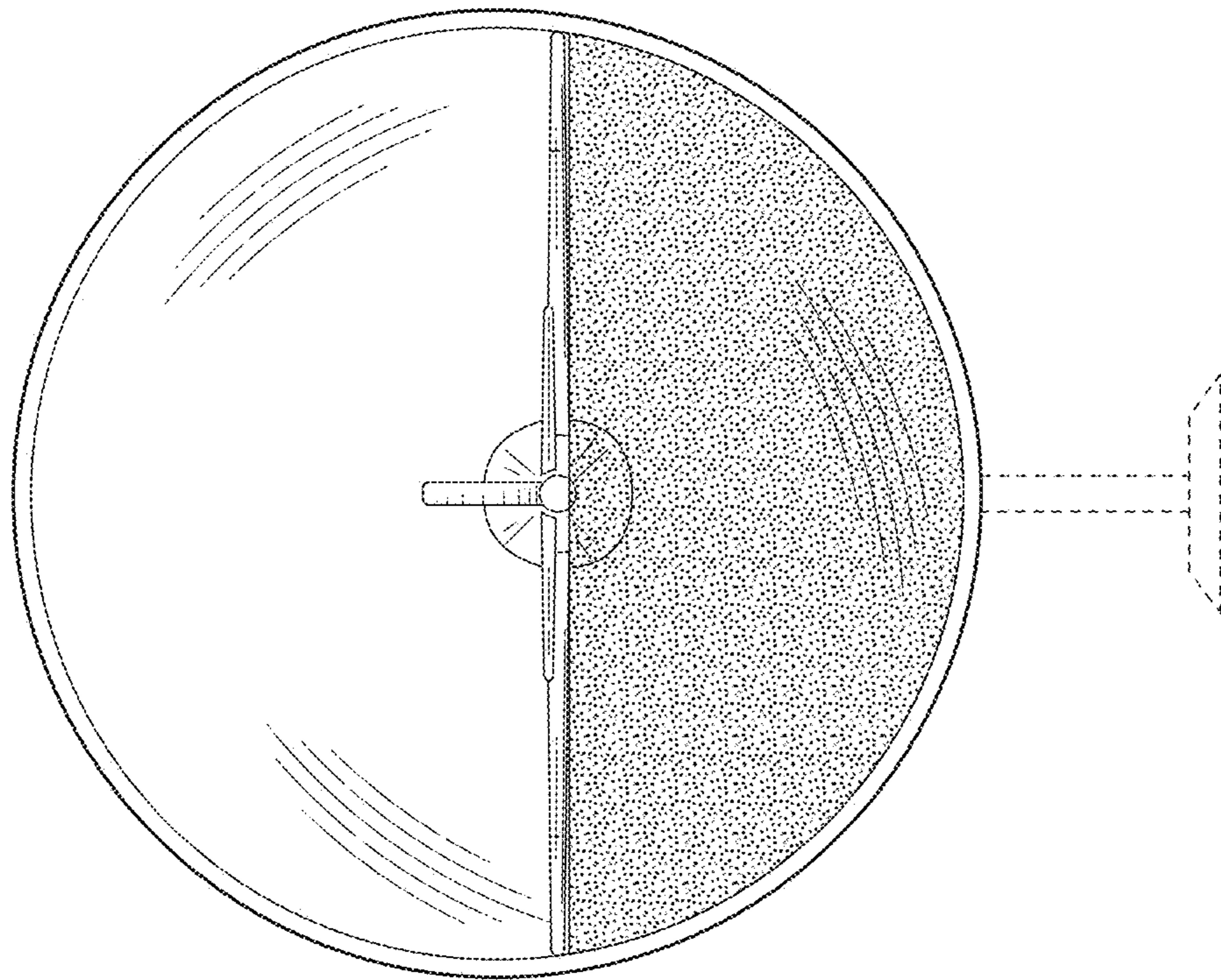


FIG. 4



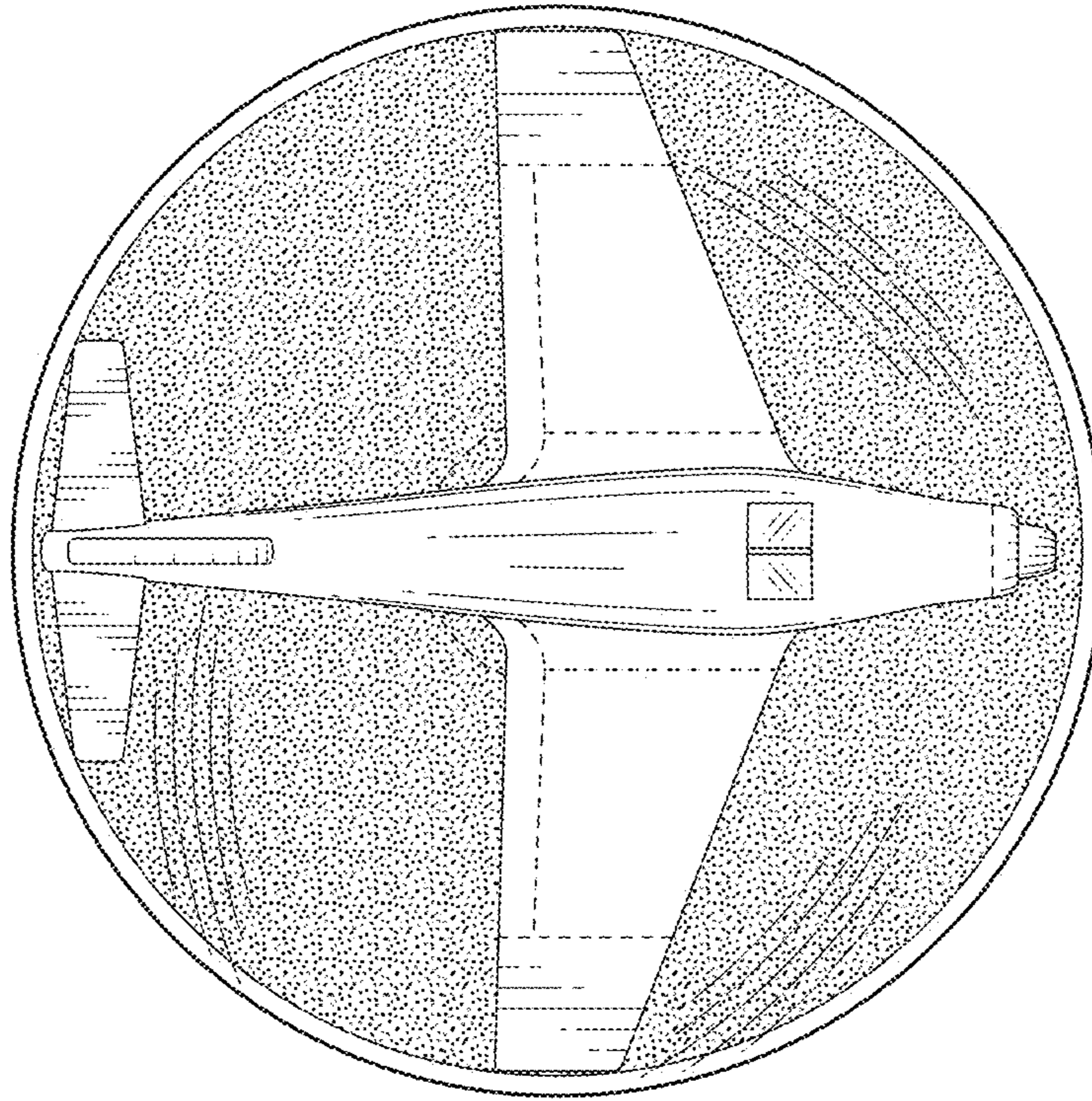


FIG. 6

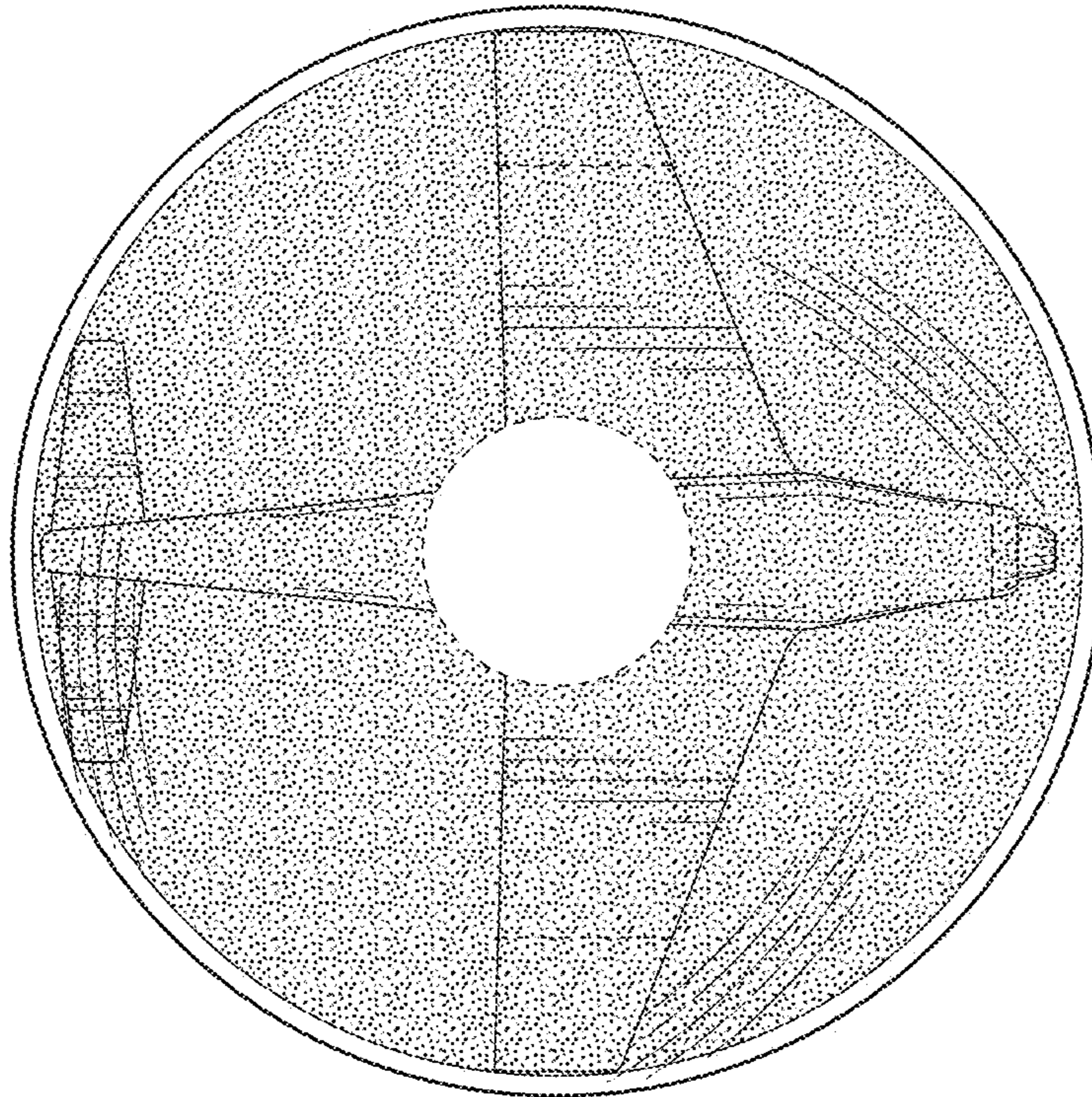


FIG. 7