



US00D881063S

(12) **United States Design Patent** (10) **Patent No.:** **US D881,063 S**  
**Menachem** (45) **Date of Patent:** **\*\* Apr. 14, 2020**

(54) **INCENSE BURNER**

(71) Applicant: **Yoav Menachem**, Brooklyn, NY (US)

(72) Inventor: **Yoav Menachem**, Brooklyn, NY (US)

(\*\*) Term: **15 Years**

(21) Appl. No.: **29/654,284**

(22) Filed: **Jun. 22, 2018**

(51) **LOC (12) Cl.** ..... **11-02**

(52) **U.S. Cl.**  
USPC ..... **D11/131.1**

(58) **Field of Classification Search**  
USPC ..... D11/131, 131.1, 164; D27/102, 103,  
D27/135-138, 172, 174, 175, 181-183,  
D27/186, 187; D19/81; D7/550.1;  
422/5, 125, 126; 131/174, 231  
See application file for complete search history.

(56) **References Cited**

**U.S. PATENT DOCUMENTS**

D237,386 S *	10/1975	Tokunaga	.....	D11/131.1
D245,992 S *	10/1977	Gruber	.....	D11/131.1
D246,910 S *	1/1978	Patel	.....	D11/131.1
D408,582 S *	4/1999	Varn	.....	D27/183
D422,747 S *	4/2000	Evans	.....	D27/183
D522,173 S *	5/2006	Sanders	.....	D27/187
D804,985 S *	12/2017	Wessel	.....	D11/131.1
10,369,244 B2 *	8/2019	Wessel	.....	A61L 9/03
D863,428 S *	10/2019	Suess	.....	D19/81

**OTHER PUBLICATIONS**

Still Sculptural Incense Burner, by Yoav Menachem (via Karkula.com), available Jun. 30, 2019, [online], [site visited Feb. 18, 2020].

Available from internet, URL: <https://web.archive.org/web/20190630060947/https://karkula.com/still-sculptural-incense-burner/> (Year: 2019).\*

Concrete Incense Holder, available Feb. 16, 2020, [online], [site visited Feb. 18, 2020]. Available from internet, URL: <https://www.etsy.com/listing/669907675/concrete-incense-holder-moon-yoga?ga> (Year: 2020).\*

Zen Style Incense Stick Burner, available Feb. 18, 2020, [online], [site visited Feb. 18, 2020]. Available from internet, URL: <https://anything-from-japan.com/incense-burner-rin> (Year: 2020).\*

\* cited by examiner

*Primary Examiner* — W. A. Teddy Falloway

(74) *Attorney, Agent, or Firm* — H. Jay Spiegel

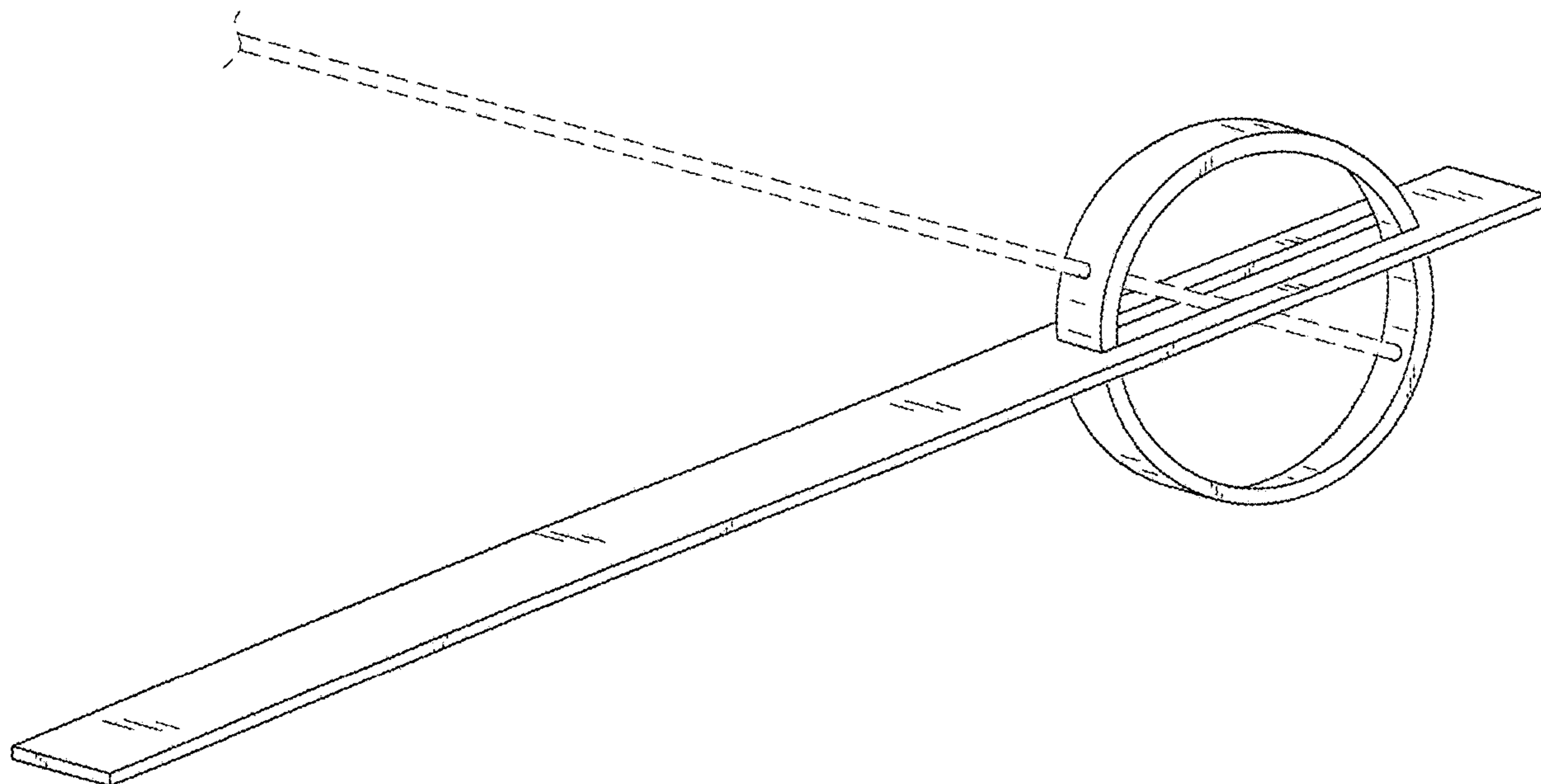
(57) **CLAIM**

The ornamental design for an incense burner, as shown and described.

**DESCRIPTION**

FIG. 1 is a right side perspective view of an incense burner; FIG. 2 is a right side view thereof; FIG. 3 is a left side view thereof; FIG. 4 is a rear view thereof; FIG. 5 is a front view thereof; FIG. 6 is a top view thereof; FIG. 7 is a bottom view thereof; FIG. 8 is another perspective view thereof, shown with an incense stick in a first orientation; and, FIG. 9 is another perspective view thereof, shown with an incense stick in a second orientation. The broken lines showing an incense stick in FIGS. 8 and 9 represent environmental structure and form no part of the claimed design.

**1 Claim, 6 Drawing Sheets**



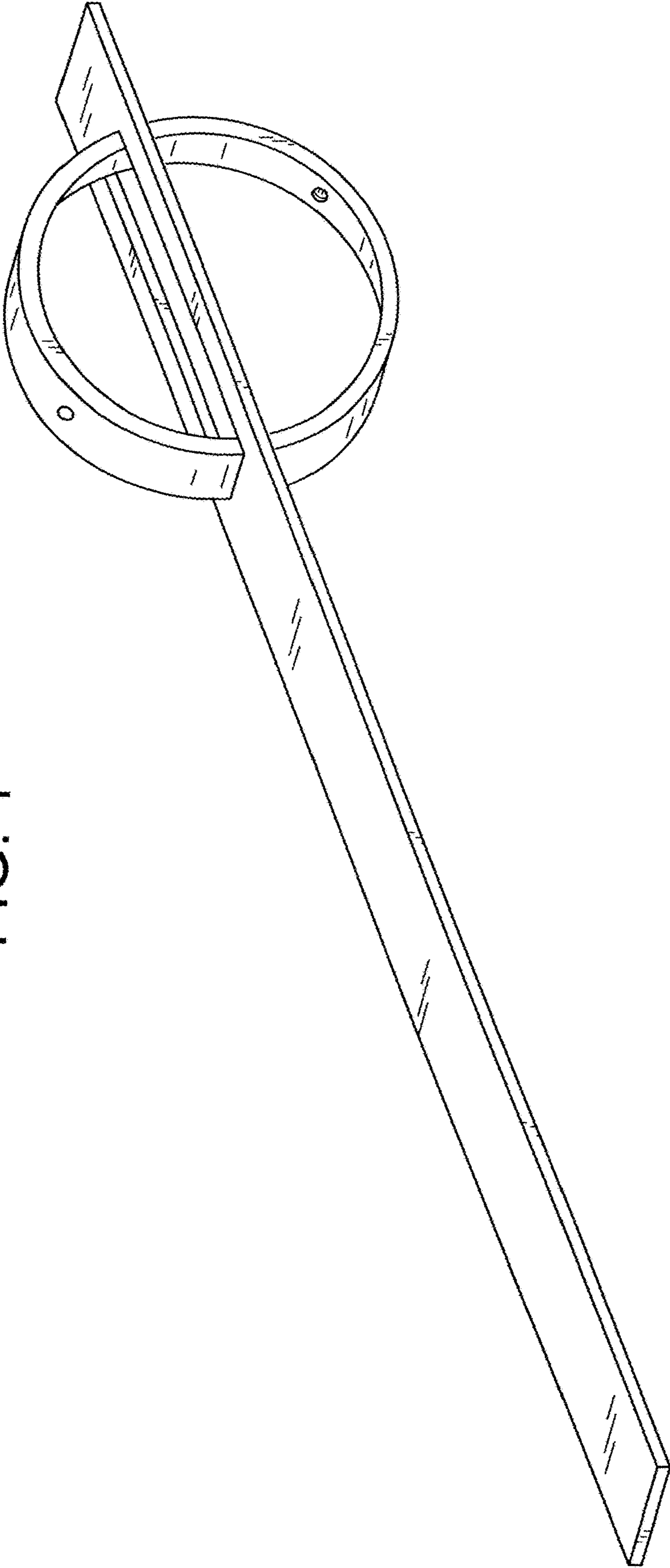


FIG. 1

FIG. 2

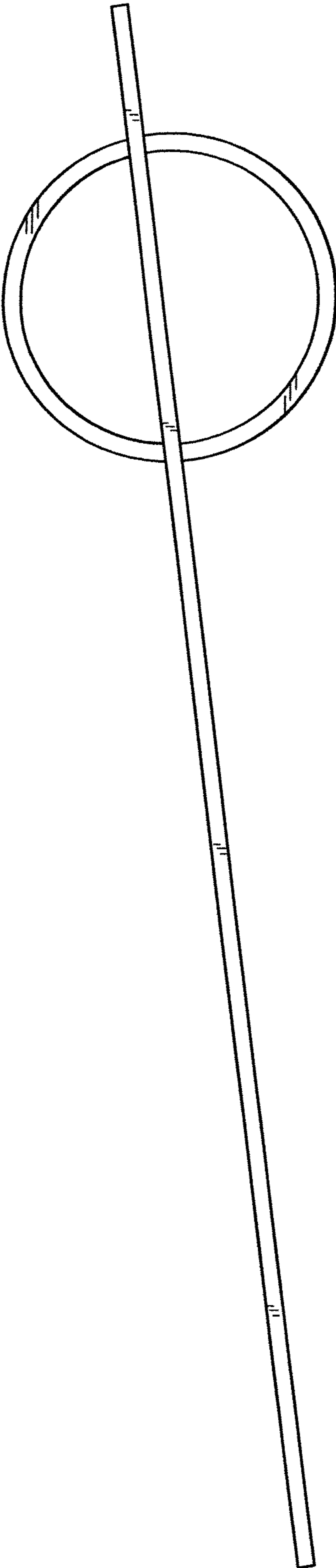


FIG. 3

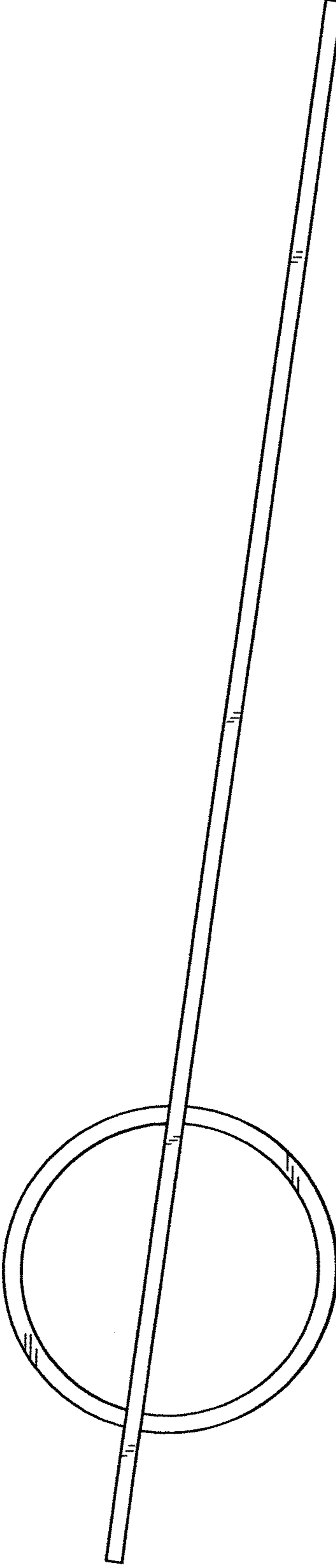


FIG. 4

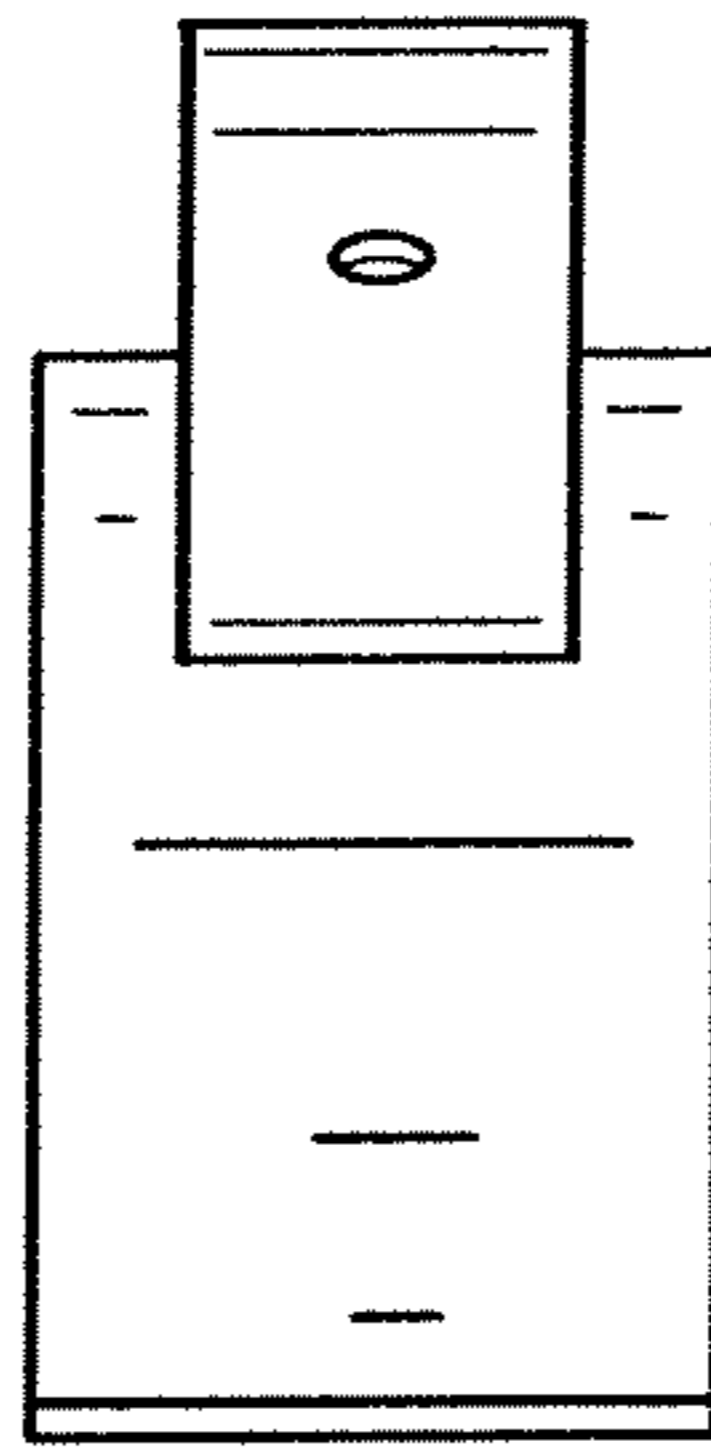


FIG. 5

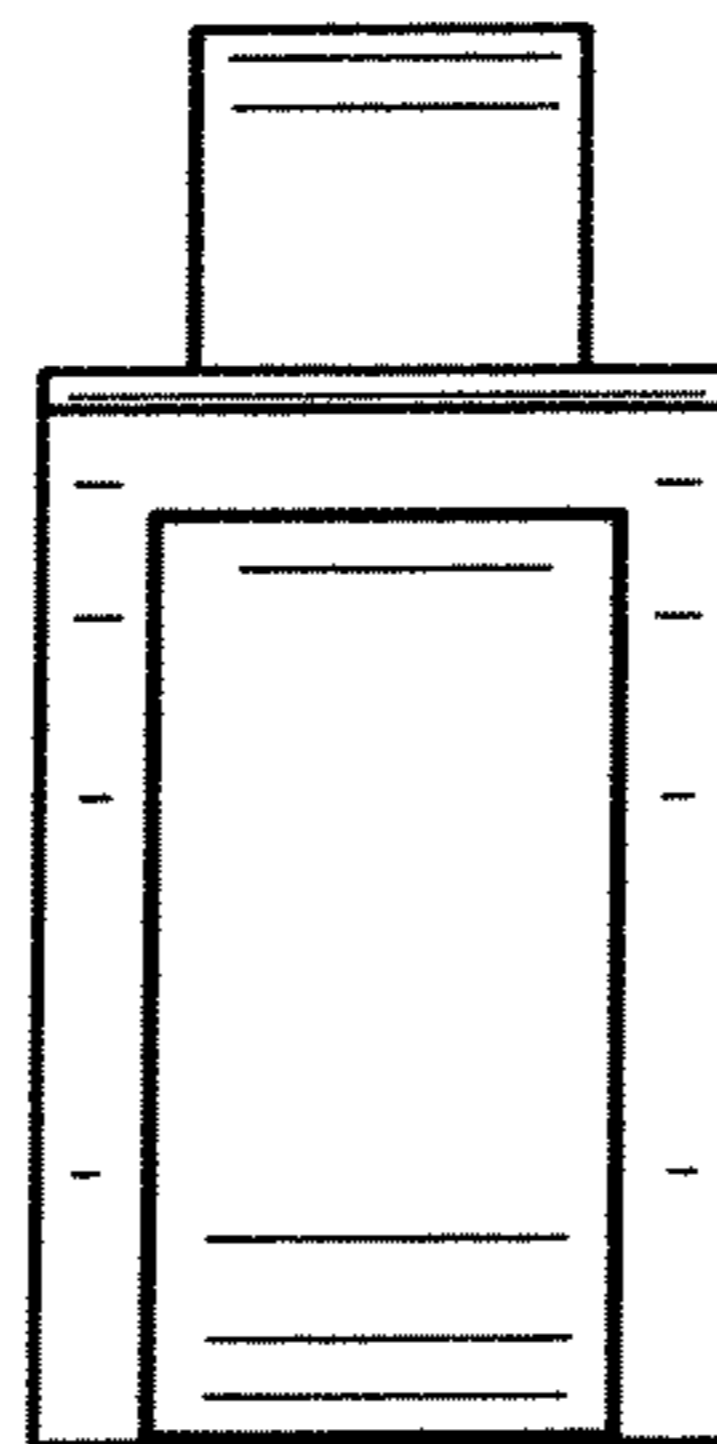


FIG. 6

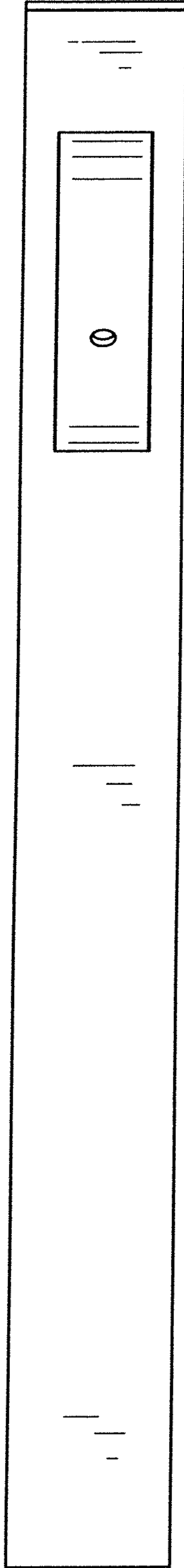
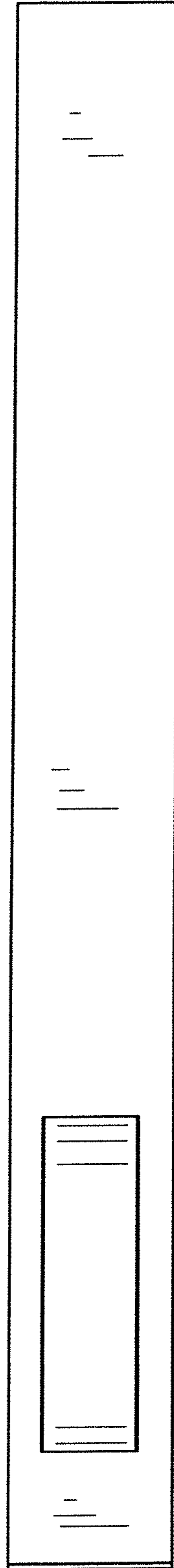


FIG. 7



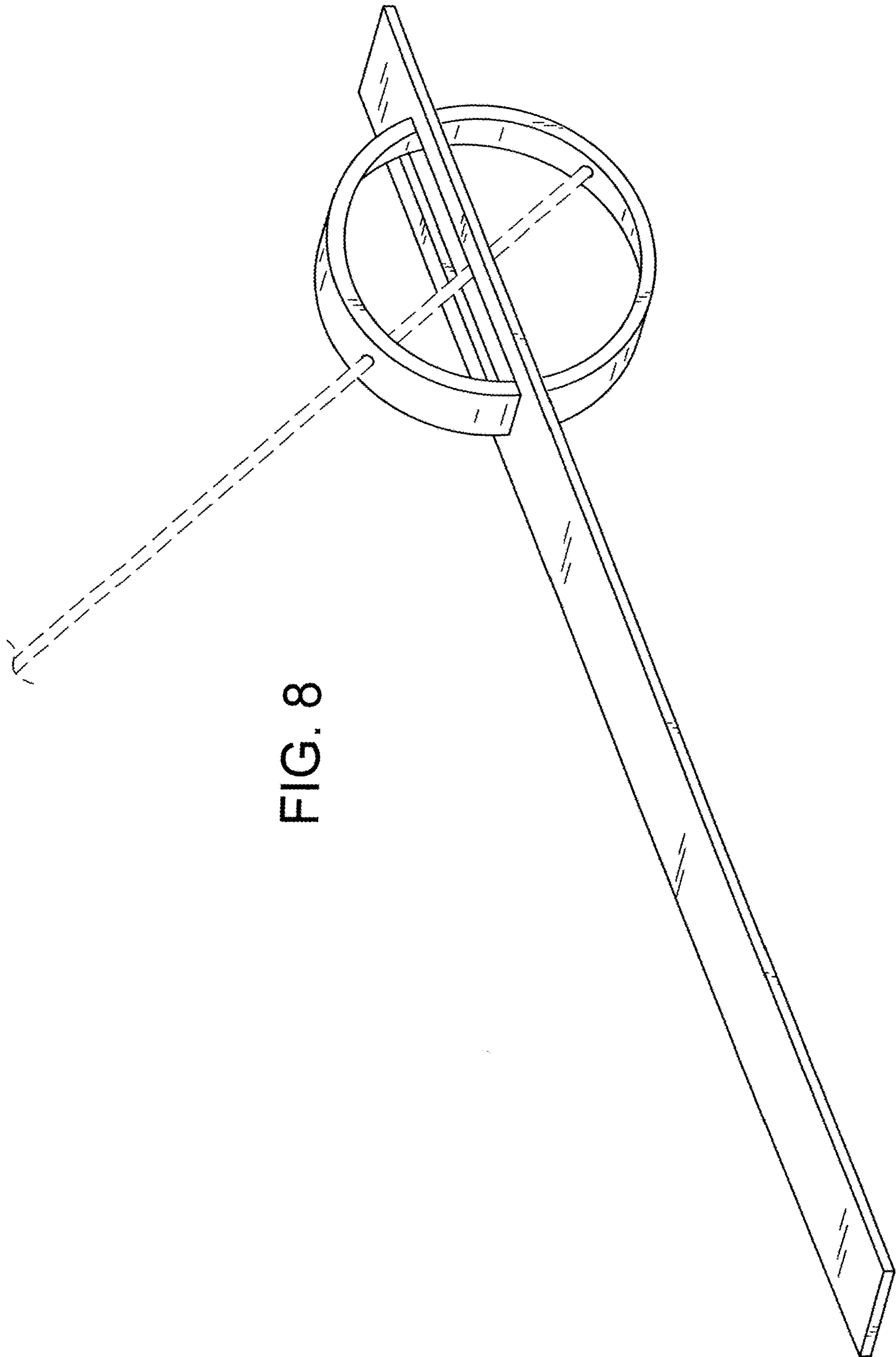


FIG. 8

