



US00D881062S

(12) **United States Design Patent**  
**Gad**

(10) **Patent No.:** **US D881,062 S**

(45) **Date of Patent:** **\*\* Apr. 14, 2020**

(54) **PENDANT**

(71) Applicant: **FINESSE DIAMOND, CORP.**, New York, NY (US)

(72) Inventor: **Steven Gad**, New York City, NY (US)

(73) Assignee: **FINESSE DIAMOND, CORP.**, New York, NY (US)

(\*\*) Term: **15 Years**

(21) Appl. No.: **29/680,308**

(22) Filed: **Feb. 14, 2019**

(51) **LOC (12) Cl.** ..... **11-01**

(52) **U.S. Cl.**  
USPC ..... **D11/79**

(58) **Field of Classification Search**  
USPC .... D11/1-20, 30, 37, 38, 40, 43, 48, 56, 61,  
D11/75, 76, 79-83, 86, 91, 34-36;  
D10/33, 34, 35, 36, 39, 126; D23/366  
CPC ..... A44C 3/00; A44C 3/001; A44C 3/004;  
A44C 3/005; A44C 3/008; A44C 15/001;  
A44C 15/0005; A44C 15/0045; A44C  
5/00; A44C 7/00; A44C 25/00; A44C  
25/002; A44C 25/007; A44C 25/008;  
A44C 1/00

See application file for complete search history.

(56) **References Cited**

**U.S. PATENT DOCUMENTS**

236,383	A *	1/1881	Waldeck	.....	B29C 43/18 264/112
D243,411	S *	2/1977	Johnson	.....	D30/152
D268,336	S	3/1983	Shapiro		
D444,409	S *	7/2001	Shriqui	.....	D11/81
D450,615	S *	11/2001	Ambar	.....	D11/76
D499,046	S	11/2004	Pinto et al.		
D514,470	S	2/2006	Pinto et al.		
D515,451	S	2/2006	Pinto et al.		
D519,875	S *	5/2006	Bulgari	.....	D11/79

D538,191	S *	3/2007	Wilder	.....	D10/104.1
D549,129	S	8/2007	Kothari		
D549,612	S	8/2007	Kothari		
D556,083	S	11/2007	Kothari		
D558,083	S	12/2007	Kothari		
D642,087	S	7/2011	Kothari		
D643,327	S	8/2011	Kothari		
D648,650	S	11/2011	Roehl et al.		
D649,084	S	11/2011	Roehl et al.		

(Continued)

**OTHER PUBLICATIONS**

Bony Levy Circular Diamond Medallion, no. date available, [online], [site visited Jan. 24, 2020]. Retrieved from url:https://shop.nordstrom.com/s/bony-levy-circular-diamond-medallion-pendant-necklace-nordstrom-exclusive/5246207/lite (Year: 2020).\*

*Primary Examiner* — Michelle E. Wilson

*Assistant Examiner* — Tracey J Bell

(74) *Attorney, Agent, or Firm* — Banner & Witcoff, Ltd.

(57) **CLAIM**

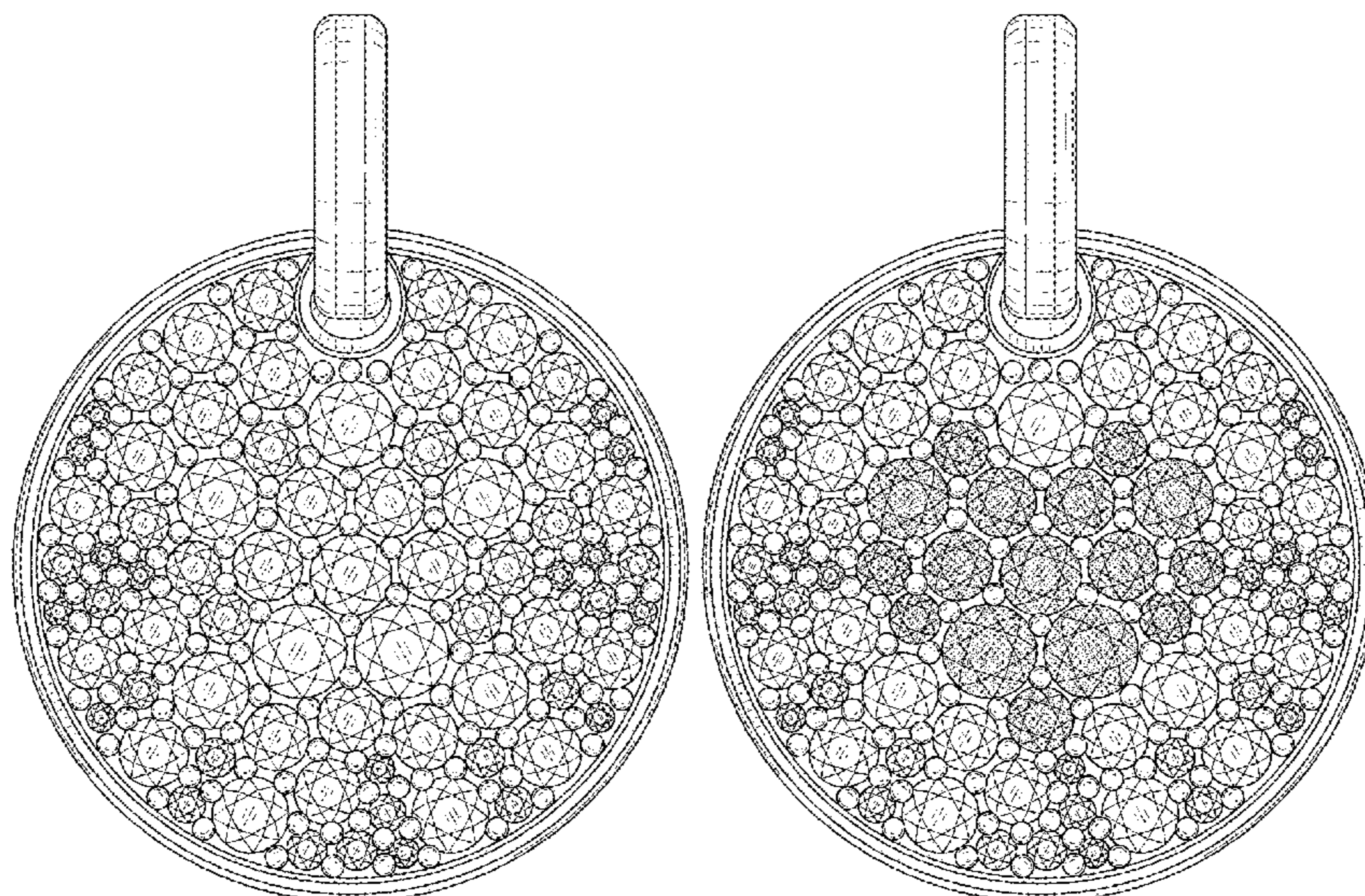
The ornamental design for a pendant, as shown and described.

**DESCRIPTION**

FIG. 1 is a front view of a pendant showing my new design; FIG. 2 is a rear view thereof; FIG. 3 is a right side view thereof; FIG. 4 is a left side view thereof; FIG. 5 is a top view thereof; FIG. 6 is a bottom view thereof; FIG. 7 is a front perspective view thereof; and, FIG. 8 is a front view of the pendant of FIGS. 1-7 showing a stone region in a changed state of appearance relative to FIGS. 1-7.

The stippling shown on the stone region in FIG. 8 represents a contrast of appearance with respect to remaining stones and the change of state is affected when the pendant is exposed to ultraviolet light.

**1 Claim, 6 Drawing Sheets**



(56)

References Cited

U.S. PATENT DOCUMENTS

D650,307 S	12/2011	Roehl et al.	
D650,308 S	12/2011	Roehl et al.	
D654,394 S	2/2012	Kothari	
D666,521 S	9/2012	Yakubovich et al.	
D672,269 S *	12/2012	Wong .....	D11/91
D672,682 S *	12/2012	Wong .....	D11/56
D677,599 S	3/2013	Dholakiya	
D680,896 S	4/2013	Wong et al.	
D680,898 S	4/2013	Dholakiya	
D697,451 S	1/2014	Dholakiya	
D697,831 S	1/2014	Dholakiya	
D699,146 S	2/2014	Dholakiya	
D704,589 S *	5/2014	Daniels Christensen .....	
			A44C 5/00
			D11/7
D712,301 S *	9/2014	Tipp .....	D11/56
D712,302 S	9/2014	Dholakiya	
D712,303 S	9/2014	Dholakiya	
D722,279 S	2/2015	Kirkham	
D725,544 S *	3/2015	Yatsugi-Kang .....	D11/56
D801,845 S *	11/2017	Blootacker .....	D10/126
D803,718 S	11/2017	Pierce et al.	
9,820,538 B2 *	11/2017	Lebreton .....	G04B 47/042
D816,534 S *	5/2018	Barouch .....	D11/5
D824,798 S	8/2018	Matatov et al.	
D832,127 S *	10/2018	Grois .....	D11/2
D840,866 S	2/2019	Parikh et al.	
2008/0016915 A1 *	1/2008	Shah .....	A44C 13/00
			63/40

\* cited by examiner

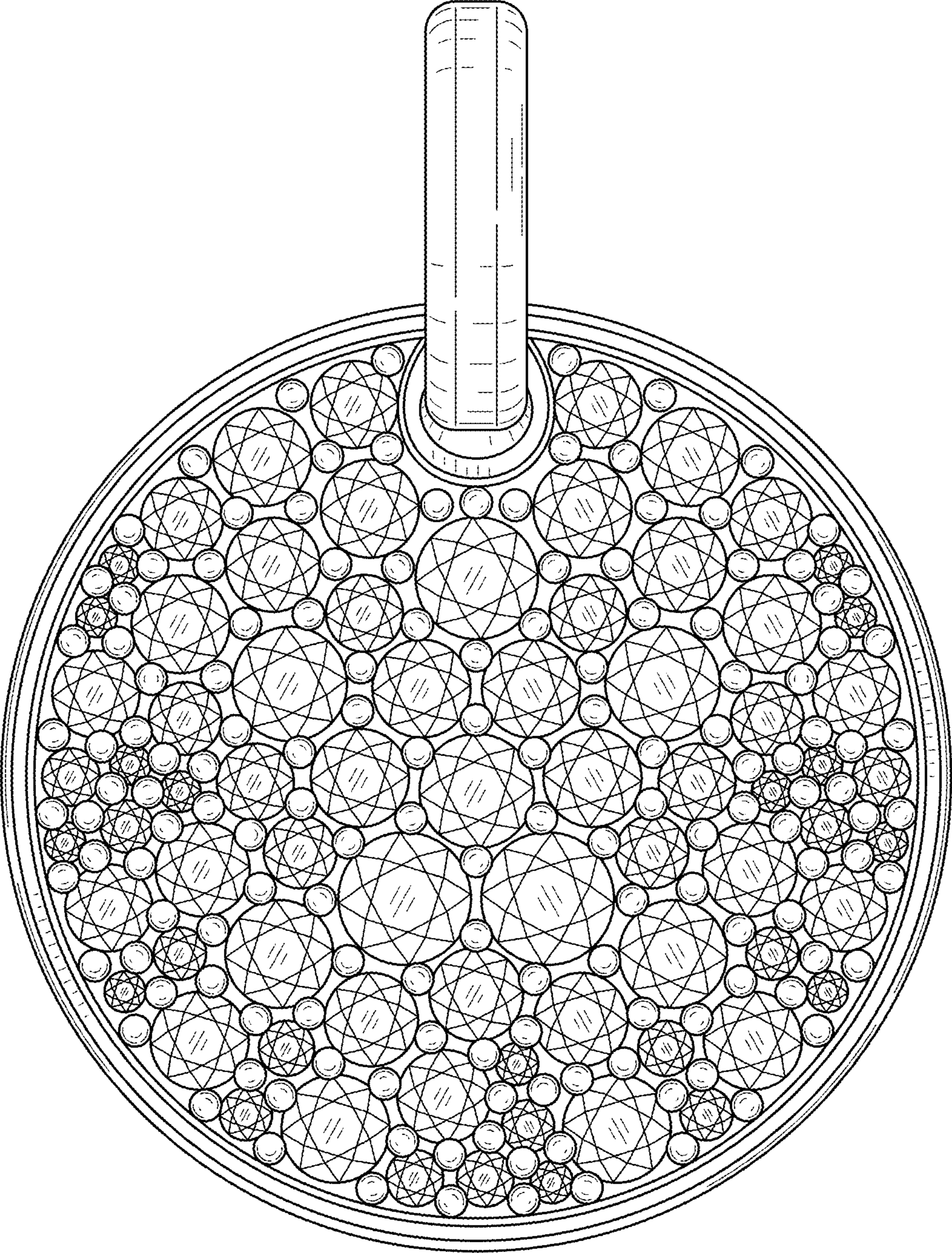


FIG. 1

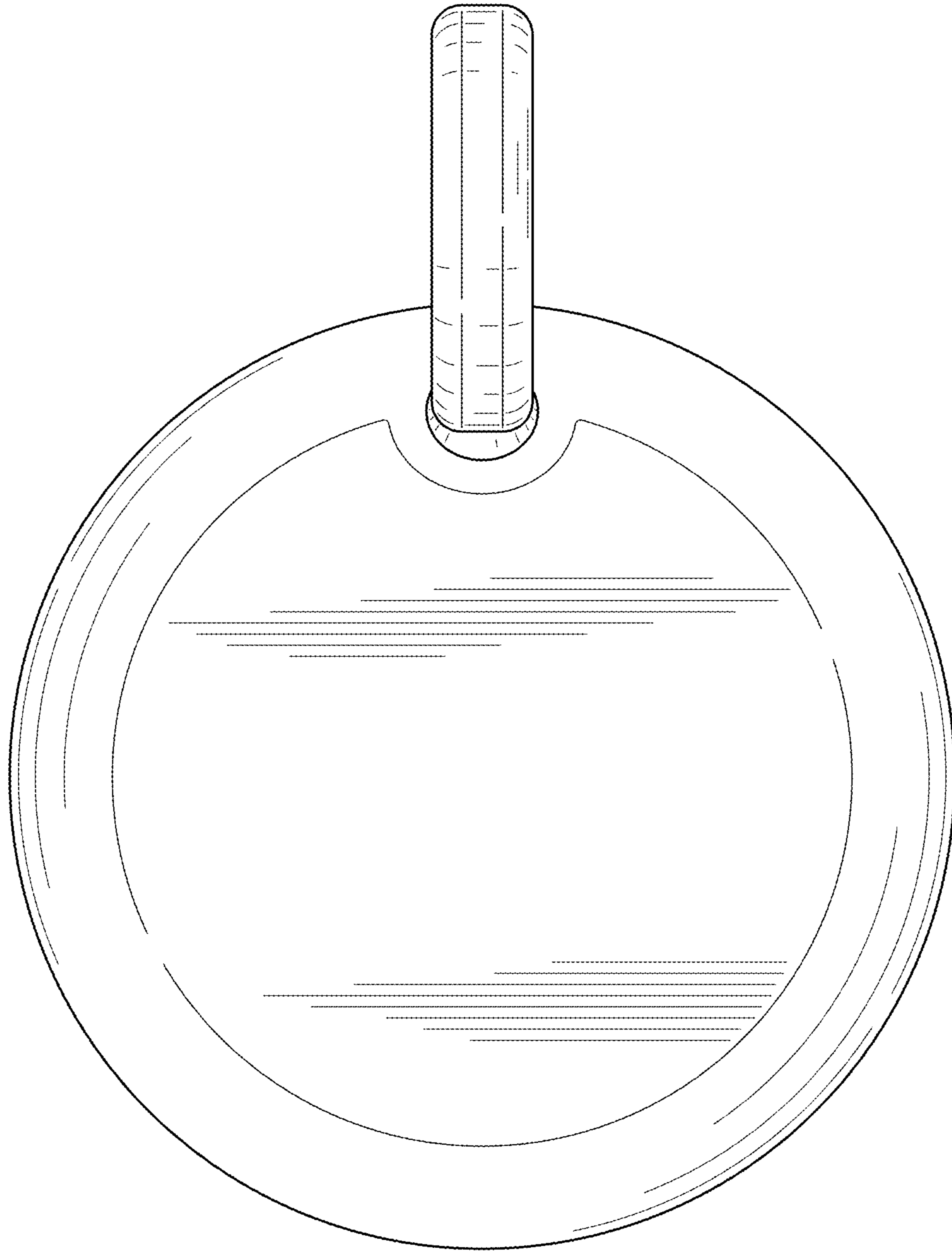


FIG. 2

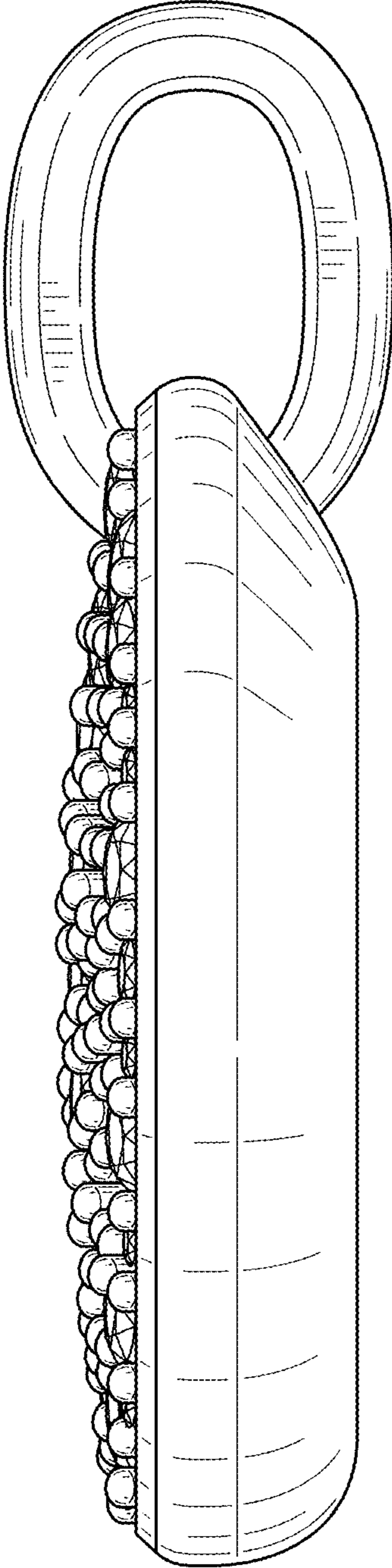


FIG. 3

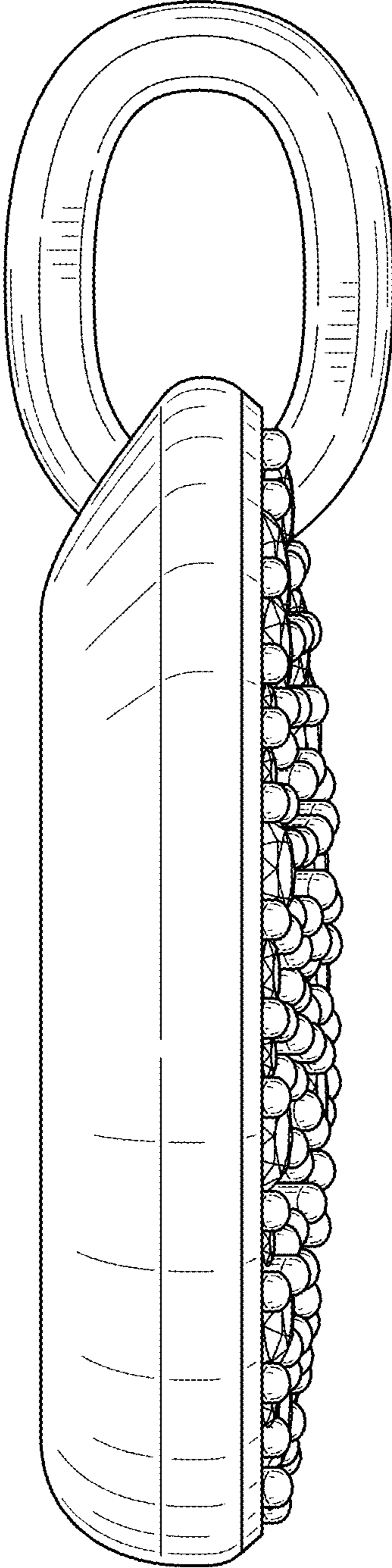


FIG. 4

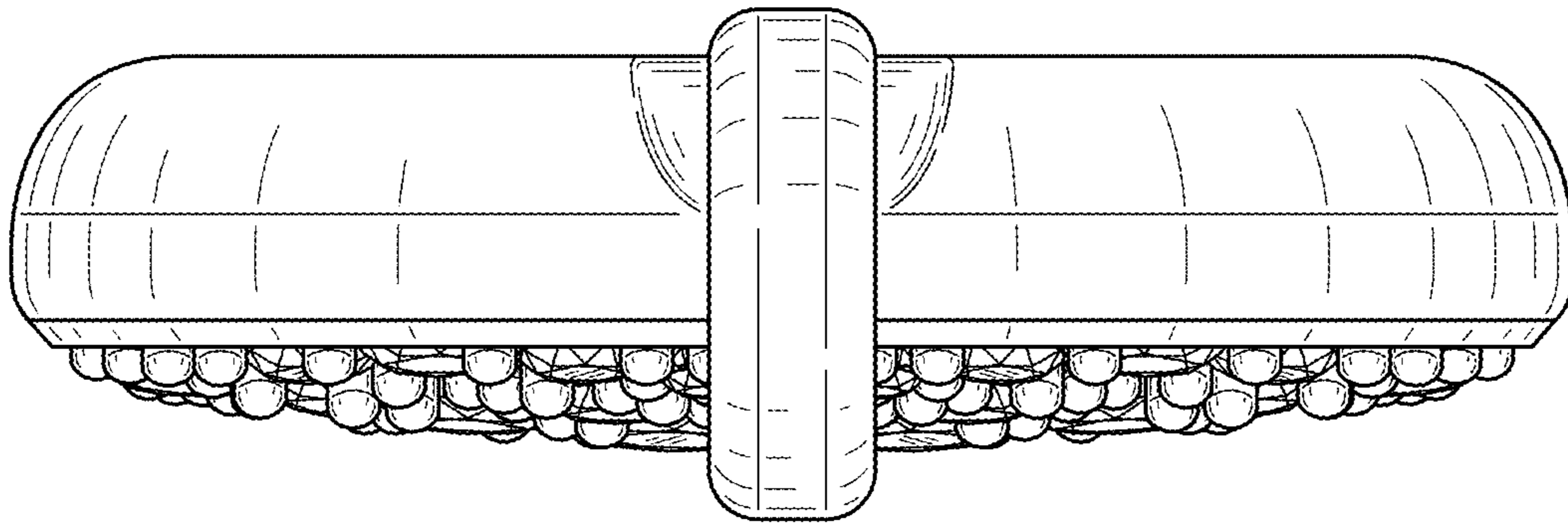


FIG. 5

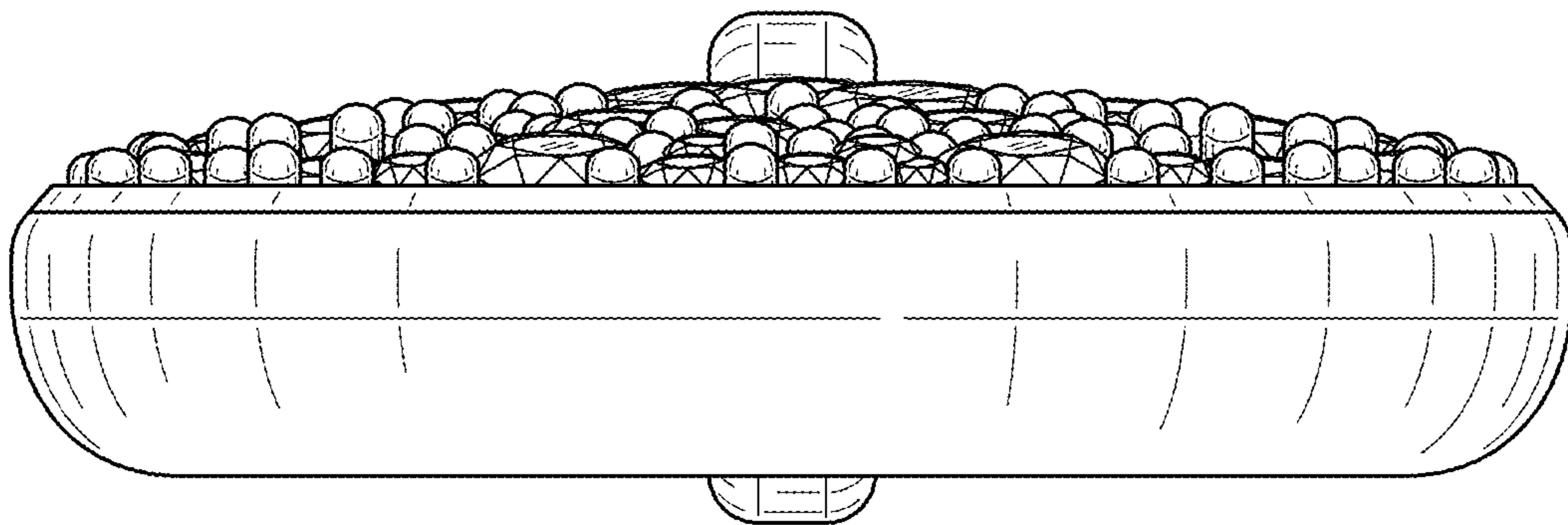


FIG. 6

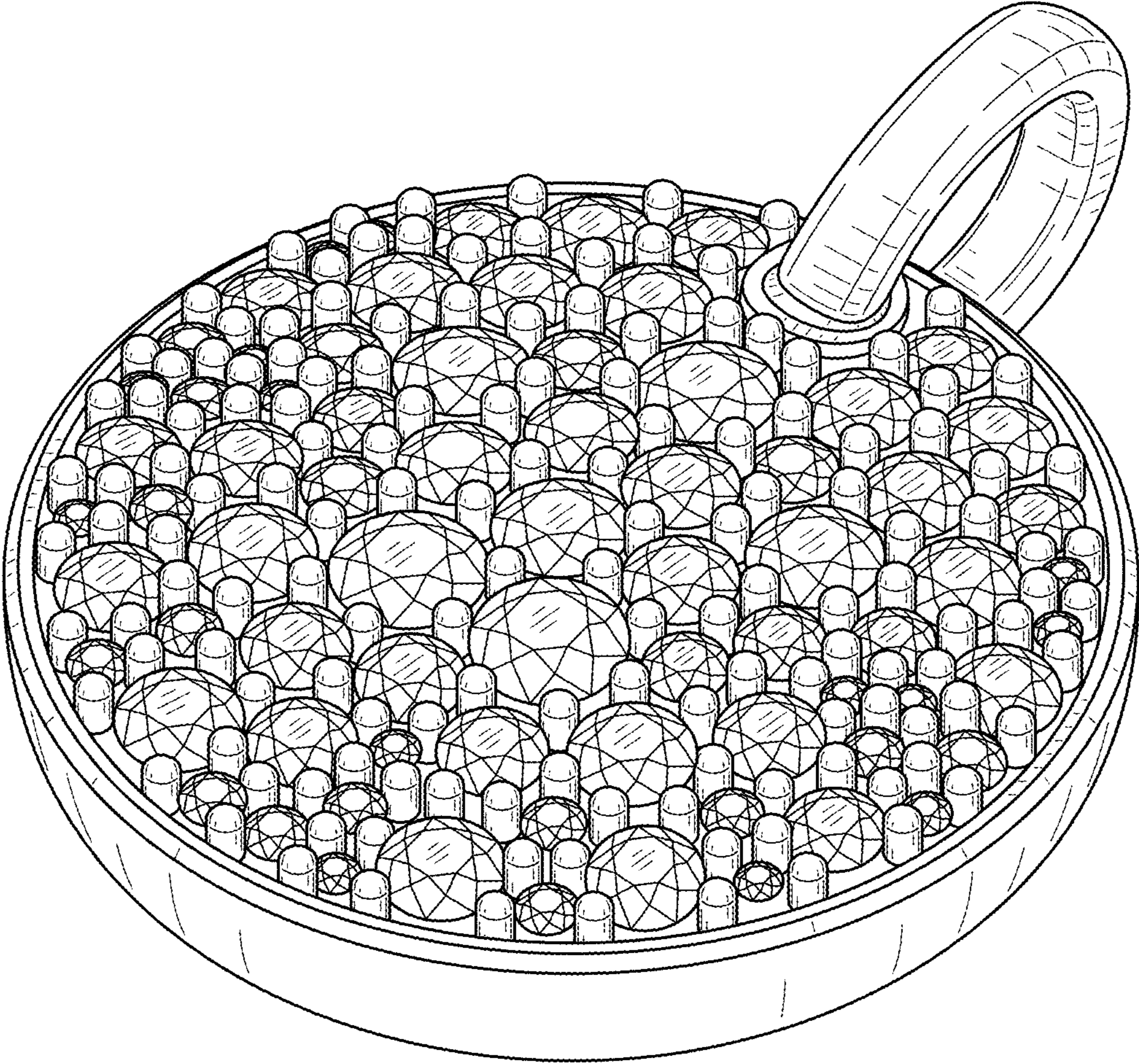


FIG. 7

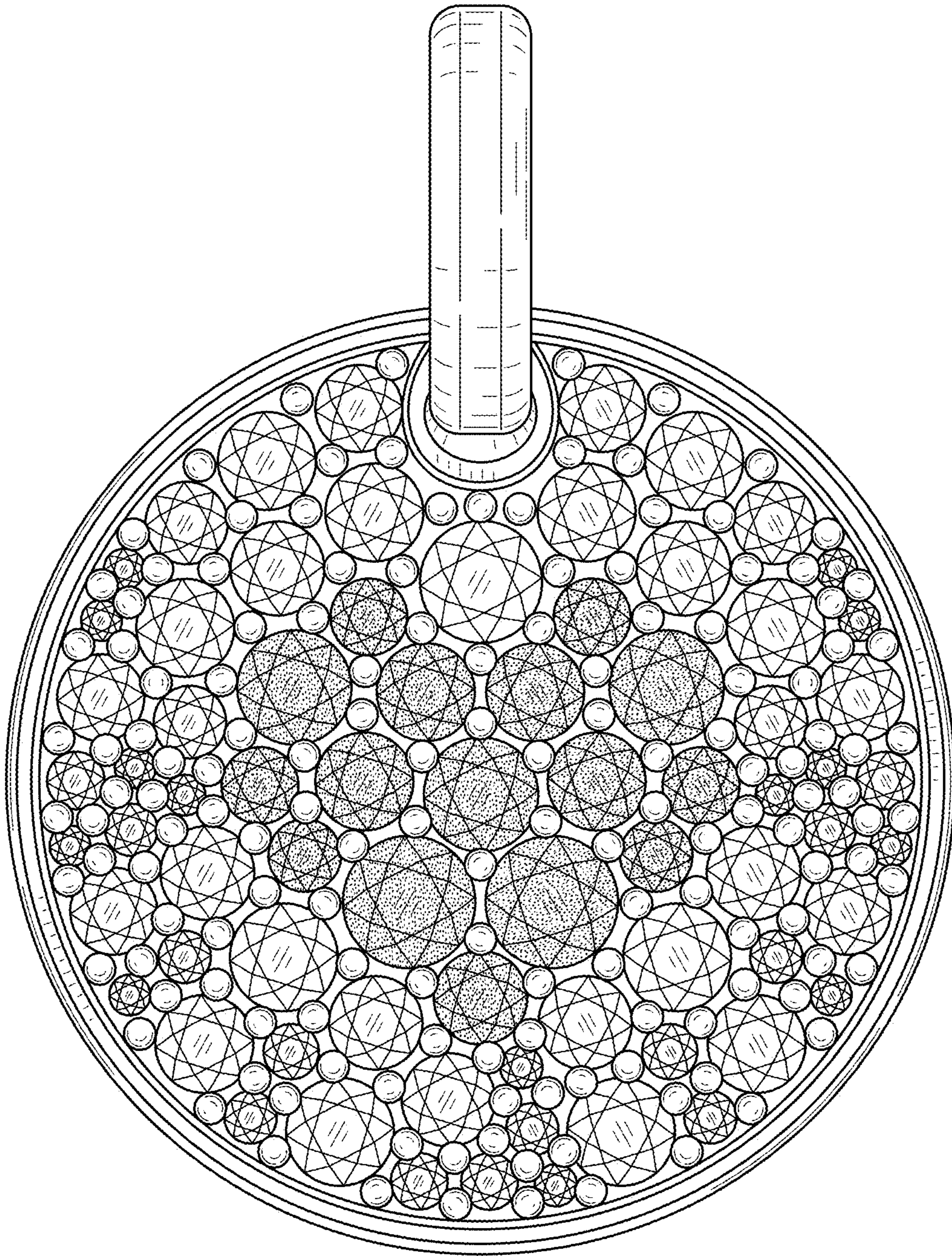


FIG. 8