



US00D881059S

(12) **United States Design Patent** (10) **Patent No.:** **US D881,059 S**  
**Schowalter** (45) **Date of Patent:** **\*\* Apr. 14, 2020**

(54) **SPORT BAND**  
(71) Applicant: **David Schowalter**, Troy, MI (US)  
(72) Inventor: **David Schowalter**, Troy, MI (US)  
(73) Assignee: **AFFINITY BRAND PARTNERS LLC**, Troy, MI (US)

D750,524 S 3/2016 Akana et al.  
D750,525 S 3/2016 Akana et al.  
D755,662 S 5/2016 Akana et al.  
D756,822 S \* 5/2016 Akana ..... D10/103  
D756,832 S 5/2016 Riddiford et al.  
D767,436 S \* 9/2016 Goodner ..... D11/3  
D779,356 S 2/2017 Thumm  
(Continued)

(\*\*) Term: **15 Years**  
(21) Appl. No.: **29/653,974**  
(22) Filed: **Jun. 20, 2018**  
(51) **LOC (12) Cl.** ..... **11-01**  
(52) **U.S. Cl.**  
USPC ..... **D11/3**  
(58) **Field of Classification Search**  
USPC ..... D10/31, 32, 38, 39, 46, 70; D11/1-25,  
D11/87, 94; D14/344  
CPC ..... A44C 5/00; A44C 5/0007; A44C 5/0053;  
A44C 5/0061; A44C 5/02; A44C 5/022;  
A44C 5/025; A44C 5/027; A44C 5/08;  
A44C 5/14; A44C 5/16; A44C 5/18  
See application file for complete search history.

**OTHER PUBLICATIONS**

Walmart.com\_ip-game\_time (availalbe online Mar. 21, 2019) Retrieved from the internet Feb. 24, 2020 from URL: [https://tineye.com/search/153a38467634d0894b872ab3e97de038a2e05261?page=1.\\*](https://tineye.com/search/153a38467634d0894b872ab3e97de038a2e05261?page=1.*)

(Continued)

*Primary Examiner* — Kevin K Rudzinski  
*Assistant Examiner* — Richard Kearney  
(74) *Attorney, Agent, or Firm* — Carlson, Gaskey & Olds, P.C.

(57) **CLAIM**

The ornamental design for a sport band, as shown and described.

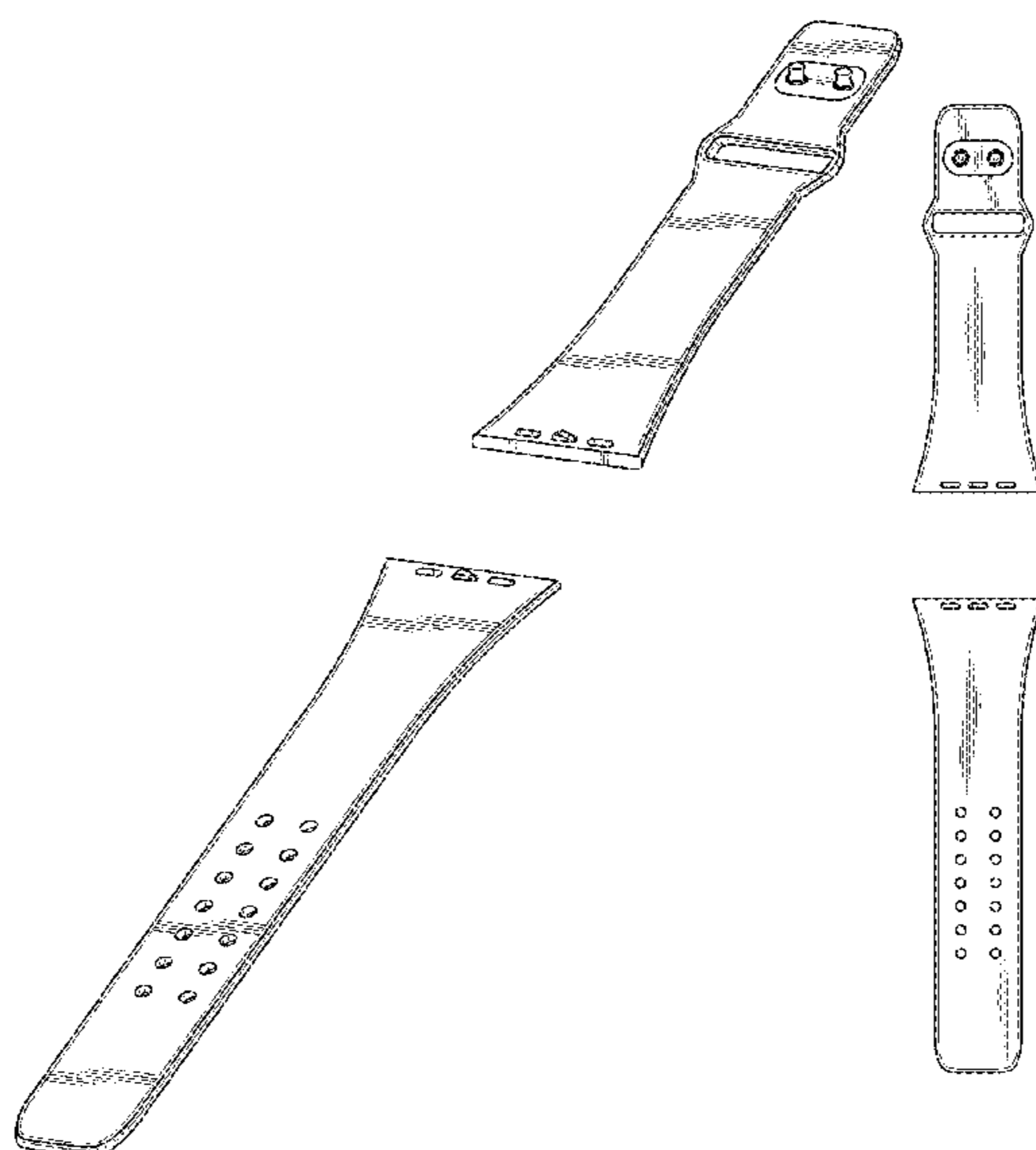
**DESCRIPTION**

FIG. 1 is a bottom front perspective view of a sport band showing my new design  
FIG. 2 is a bottom rear perspective view thereof;  
FIG. 3 is a front view thereof;  
FIG. 4 is a rear view thereof;  
FIG. 5 is a left side view thereof;  
FIG. 6 is a right side view thereof;  
FIG. 7 is a bottom view thereof;  
FIG. 8 is a top view thereof; and,  
FIG. 9 is a perspective view thereof in an environment in which it may be used.  
The broken lines in FIG. 9 show environment that forms no part of the claimed design.

(56) **References Cited**  
U.S. PATENT DOCUMENTS

D285,422 S 9/1986 Grimes  
D349,257 S 8/1994 Polenberg  
D386,980 S 12/1997 Houlihan  
D387,692 S 12/1997 Hanagata  
D407,990 S 4/1999 Kkagi  
D408,314 S 4/1999 Kojima et al.  
D409,940 S 5/1999 Spandrio et al.  
D410,406 S 6/1999 Iwamoto et al.  
D497,827 S 11/2004 Yamamoto  
D724,469 S 3/2015 Akana et al.  
D727,197 S 4/2015 Akana et al.  
D727,199 S 4/2015 Akana et al.  
D738,748 S 9/2015 Bibl et al.  
D738,749 S 9/2015 Bibl et al.  
D747,997 S 1/2016 Akana et al.

**1 Claim, 8 Drawing Sheets**



(56)

**References Cited**

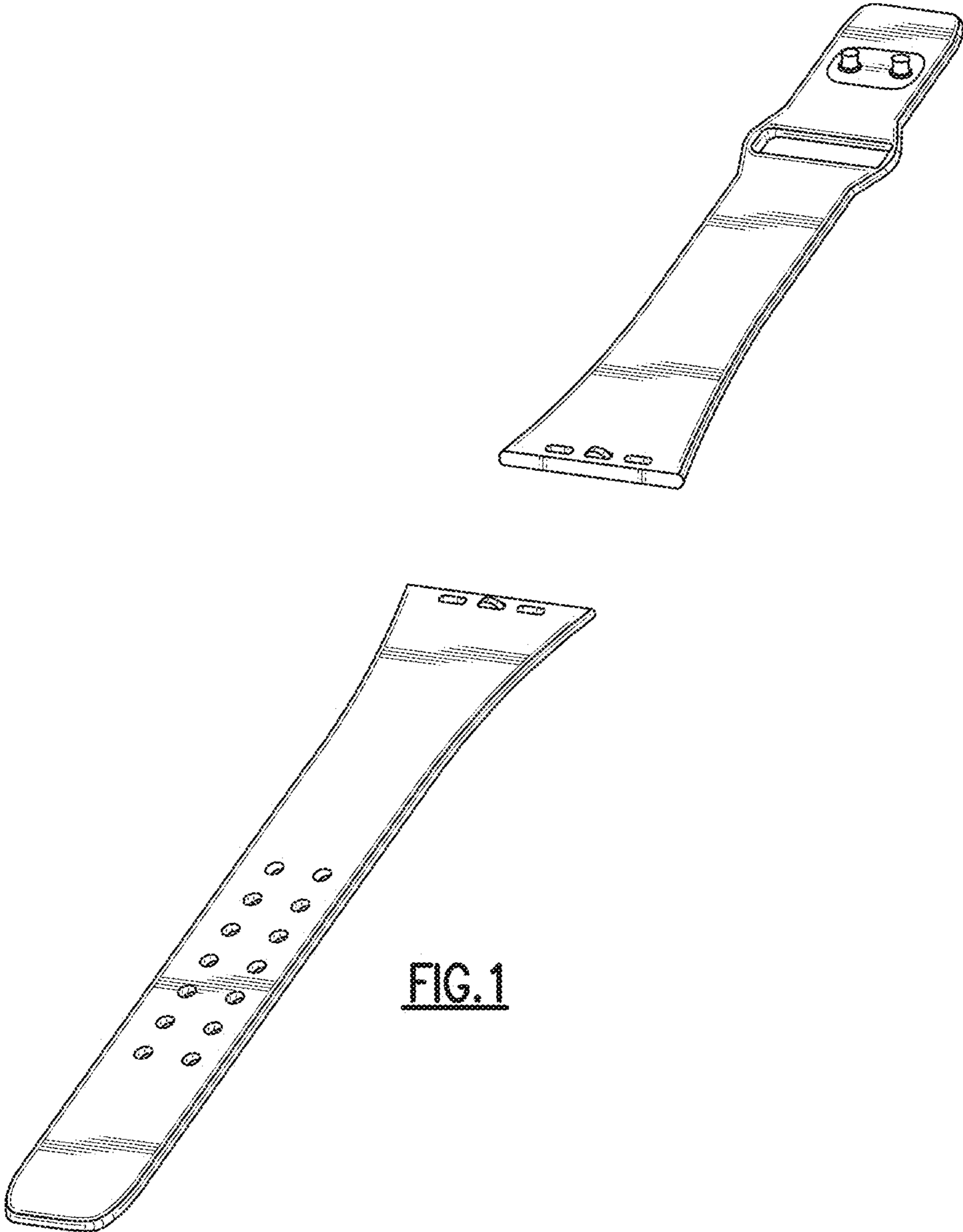
U.S. PATENT DOCUMENTS

D779,993 S 2/2017 Akana et al.  
 9,581,972 B1 \* 2/2017 Arrow ..... H02J 7/0044  
 D793,269 S 8/2017 Magniez et al.  
 D793,270 S 8/2017 Riddiford et al.  
 D795,120 S 8/2017 Bayley et al.  
 D802,465 S 11/2017 Dukerschein et al.  
 D802,467 S 11/2017 Novak  
 D824,273 S \* 7/2018 Akana ..... D11/3  
 D828,189 S \* 9/2018 Benedetti ..... D10/70  
 D831,521 S 10/2018 Hodge et al.  
 D840,860 S 2/2019 Zhang  
 D842,157 S 3/2019 Liu  
 D845,162 S 4/2019 Shannon  
 D854,432 S \* 7/2019 Akana ..... D10/70  
 D854,439 S 7/2019 Dukerschein et al.  
 D854,960 S 7/2019 Yu  
 D856,160 S 8/2019 Yu  
 D858,515 S \* 9/2019 Akana ..... D14/344  
 D860,033 S 9/2019 Quan  
 D860,034 S 9/2019 Herz  
 D861,529 S 10/2019 Herz  
 D862,276 S 10/2019 Herz  
 D865,759 S \* 11/2019 Haranaka ..... D14/344  
 10,463,118 B1 \* 11/2019 Qin ..... F16B 1/00

OTHER PUBLICATIONS

Game\_Time\_Accessories\_Arizona\_Cardinals\_Apple\_Compatible\_Watchband (availalbe online) Retrieved from the internet Feb. 24, 2020 from URL:<https://poshmark.com/listing/Arizona-Cardinals-Apple-Compatible-Watchband-5d643f52afade8f4bd9957e4>.\*

\* cited by examiner



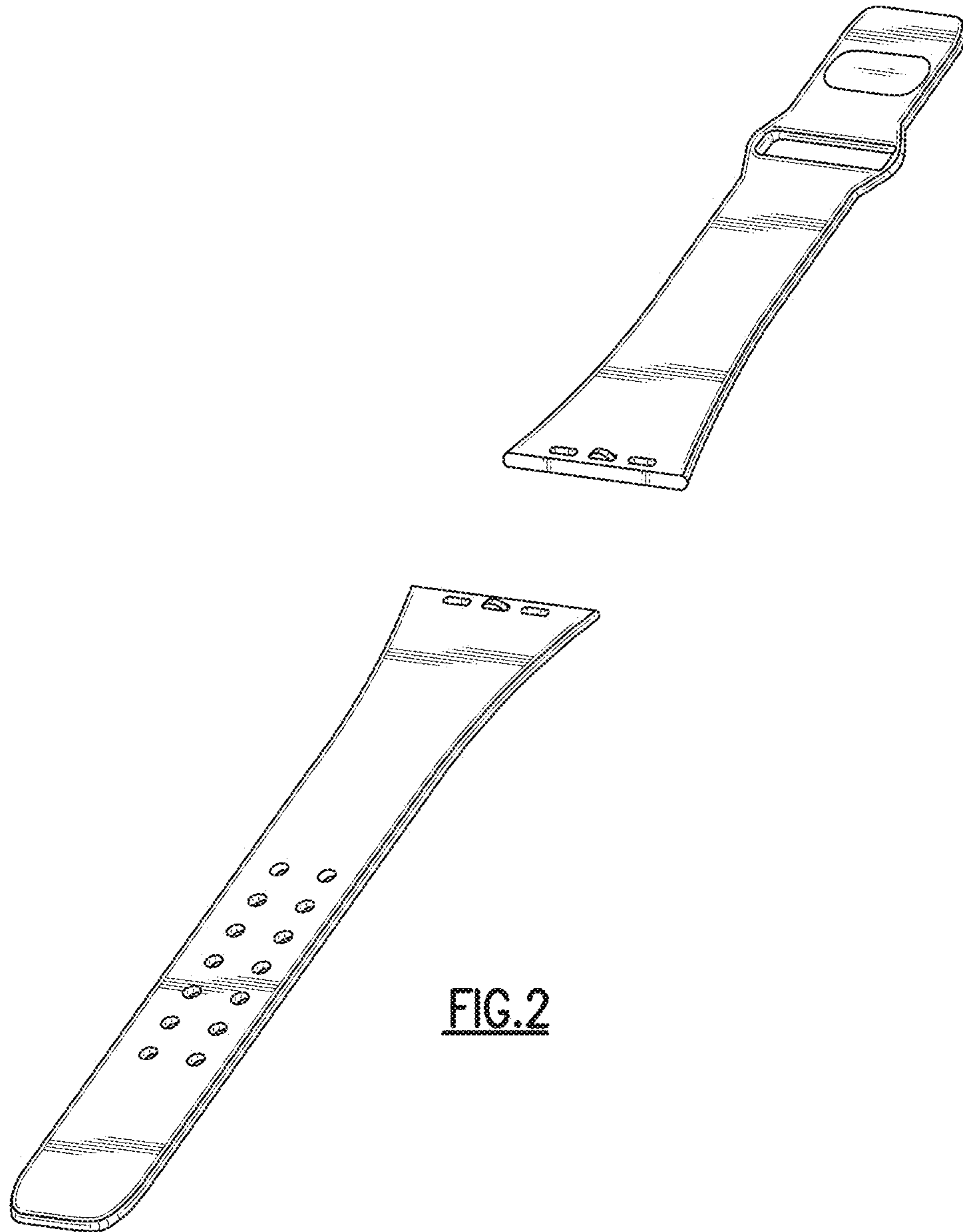


FIG.2

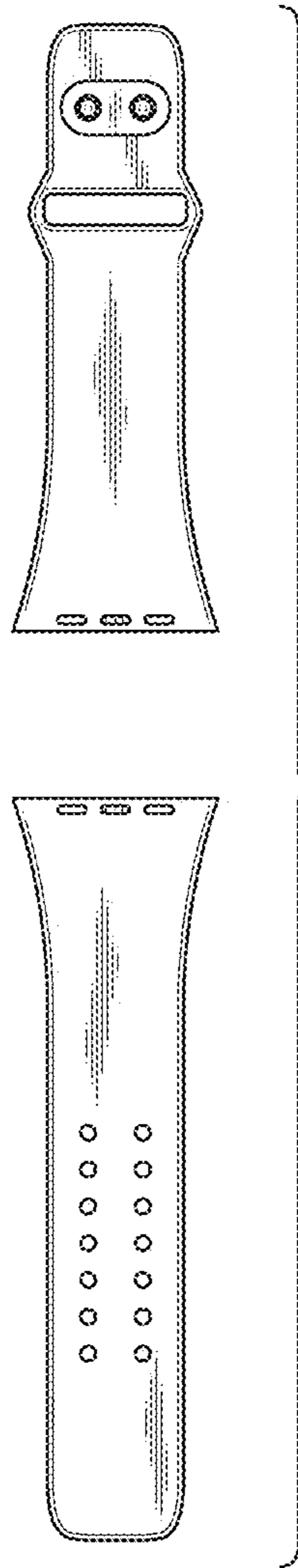
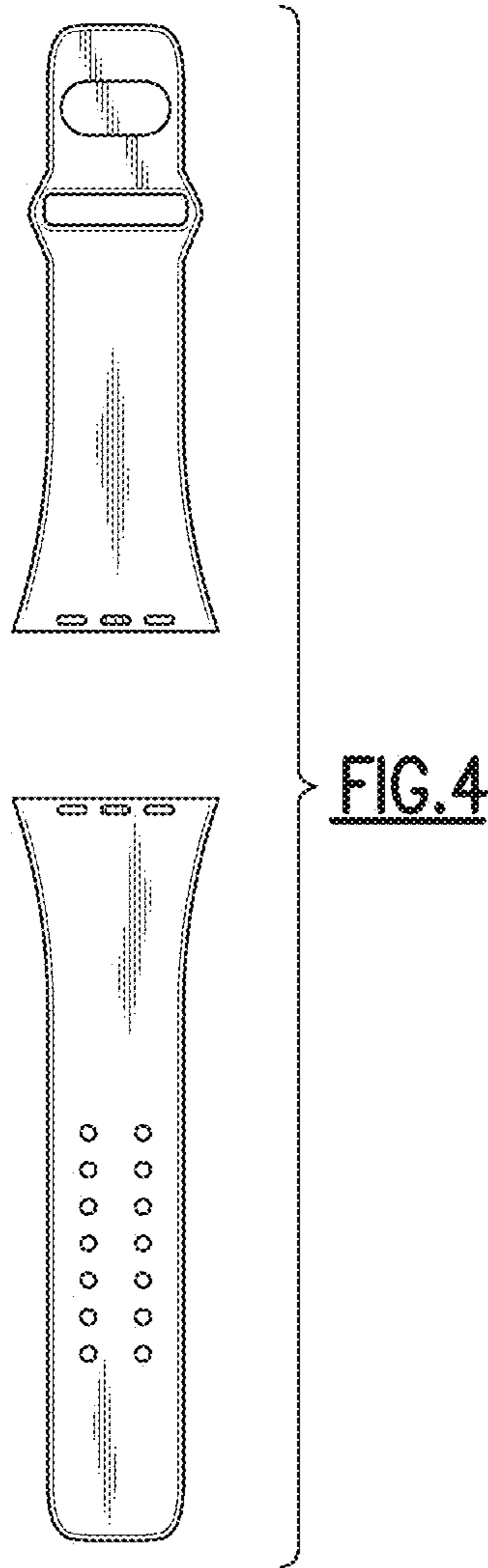
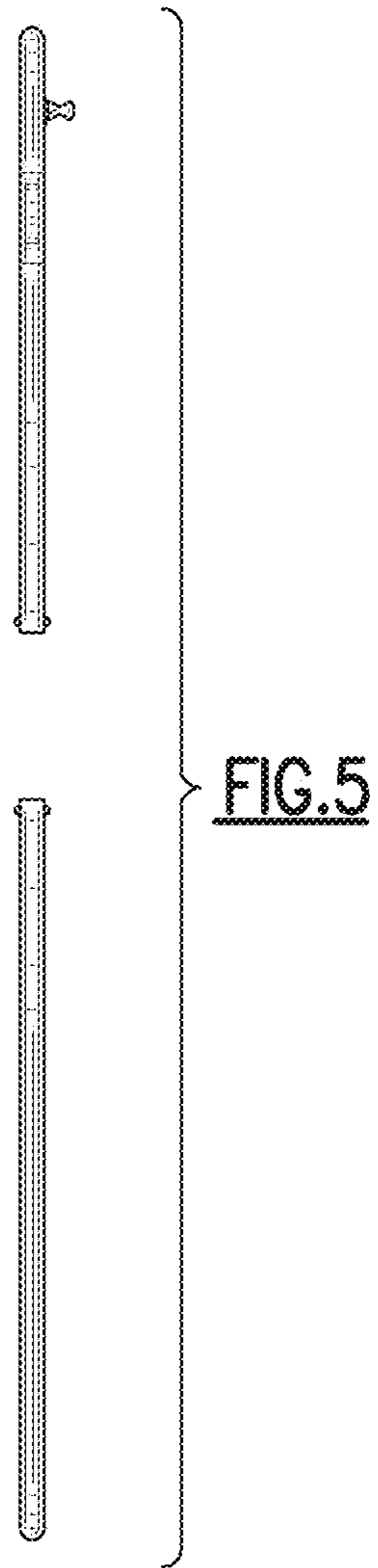


FIG. 3





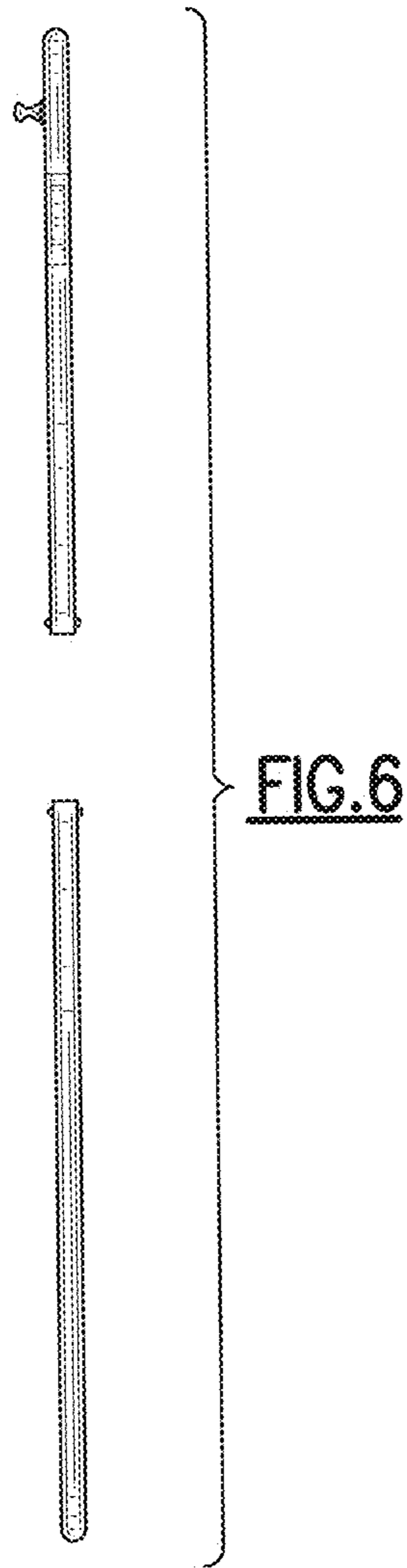






FIG. 7



FIG. 8

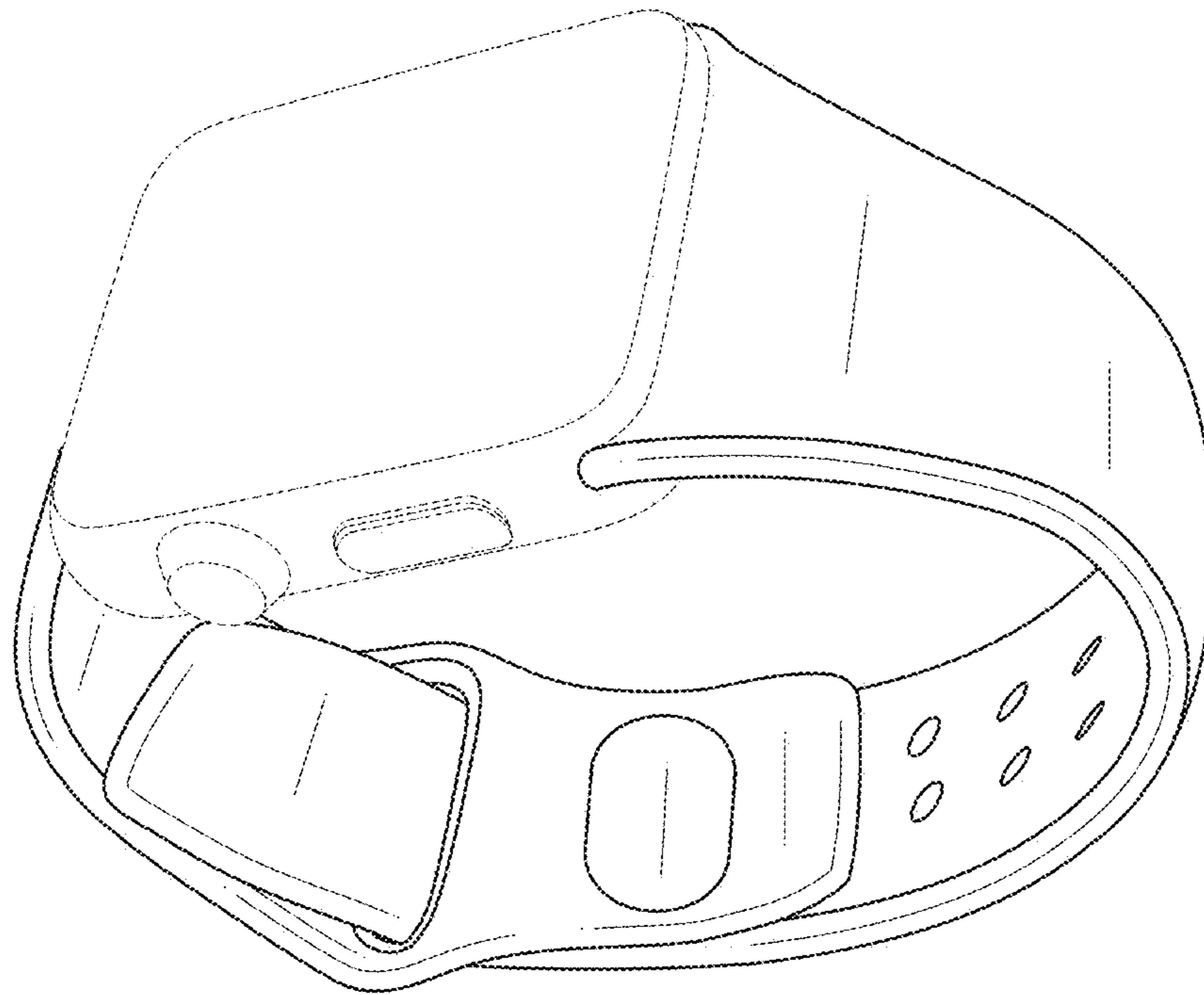


FIG.9