



US00D881058S

(12) **United States Design Patent**
Chaudot

(10) **Patent No.:** **US D881,058 S**
(45) **Date of Patent:** **** Apr. 14, 2020**

(54) **ESCAPEMENT WHEEL**
(71) Applicant: **Montres Breguet S.A., L'Abbaye (CH)**
(72) Inventor: **Christian Chaudot, Le Brassus (CH)**
(73) Assignee: **MONTRES BREGUET S.A., L'abbaye (CH)**
(**) Term: **15 Years**
(21) Appl. No.: **29/661,581**
(22) Filed: **Aug. 29, 2018**

(30) **Foreign Application Priority Data**

Mar. 5, 2018 (WO) DM/100185

(51) **LOC (12) Cl.** **10-07**

(52) **U.S. Cl.**
USPC **D10/129**

(58) **Field of Classification Search**

USPC D10/1-2, 22, 30-39, 40-41, 122-126,
D10/128, 129, 132

CPC G04B 19/00; G04B 19/02; G04B 19/025;
G04B 19/04; G04B 19/042; G04B
19/044; G04B 19/046; G04B 19/23;
G04B 19/18; G04B 19/06; G04B 19/065;
G04B 19/08; G04B 19/082; G04B
19/085; G04B 19/087; G04B 19/10;
G04B 19/103; G04B 19/106; G04B
19/12; G04B 19/166; G04B 19/20; G04B
19/22; G04B 19/262; G04B 19/264;
G04B 37/00; G04B 37/008; G04B 45/00;
G04B 45/0069; G04B 45/0076; G04B
47/00; G04B 47/048; G04B 5/04; G04B
5/06; G04B 5/08; G04B 5/10; G04B
5/12; G04B 5/14; G04B 5/16; G04B
5/18; G04B 19/223; G04B 19/283; G09B
19/12; G07C 1/28; G04F 7/0861

See application file for complete search history.

(56) **References Cited**

U.S. PATENT DOCUMENTS

8,500,323 B2 * 8/2013 Zaugg G04B 13/022
368/132
9,400,487 B2 * 7/2016 Goeller G04B 3/006
9,454,133 B2 * 9/2016 Goeller G04B 19/2576
9,958,833 B2 * 5/2018 Sarchi G04B 17/063
10,228,659 B2 * 3/2019 Alagon Carrillo G04B 15/10
10,234,822 B2 * 3/2019 Legeret G04B 1/10
10,401,797 B2 * 9/2019 Mace G04B 3/006
10,474,107 B2 * 11/2019 Rochat G04B 31/02
2007/0147179 A1 * 6/2007 Girardin G04B 1/225
368/147

(Continued)

OTHER PUBLICATIONS

Breguet Escapement Wheel | posted at neuehren.de Jan. 2014 [online]. © 2010-2019 by Media Service Partner [retrieved Dec. 9, 2019] from Internet: <https://www.neuehren.de/breguet-und-blancpain-bis-23-februar-2014-der-cite-du-temps-genf/> (Year: 2014).*

Primary Examiner — Sandra S Snapp

Assistant Examiner — Katherine Glennon

(74) *Attorney, Agent, or Firm* — Abelman, Frayne & Schwab

(57) **CLAIM**

The ornamental design for an escapement wheel, as shown and described.

DESCRIPTION

FIG. 1 is a front view of an escapement wheel of the present design;

FIG. 2 is a rear view thereof;

FIG. 3 is a right side view thereof;

FIG. 4 is a left side view thereof;

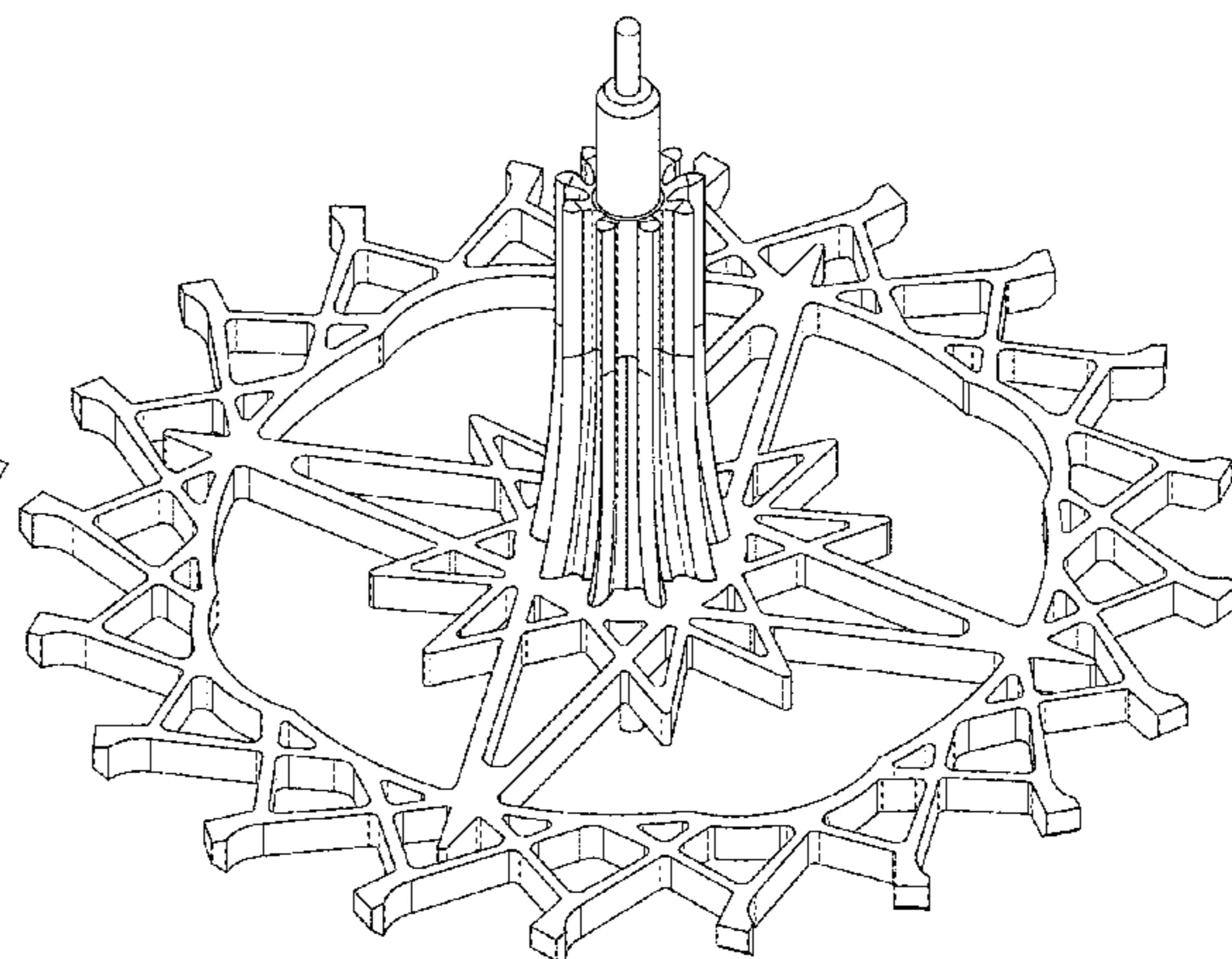
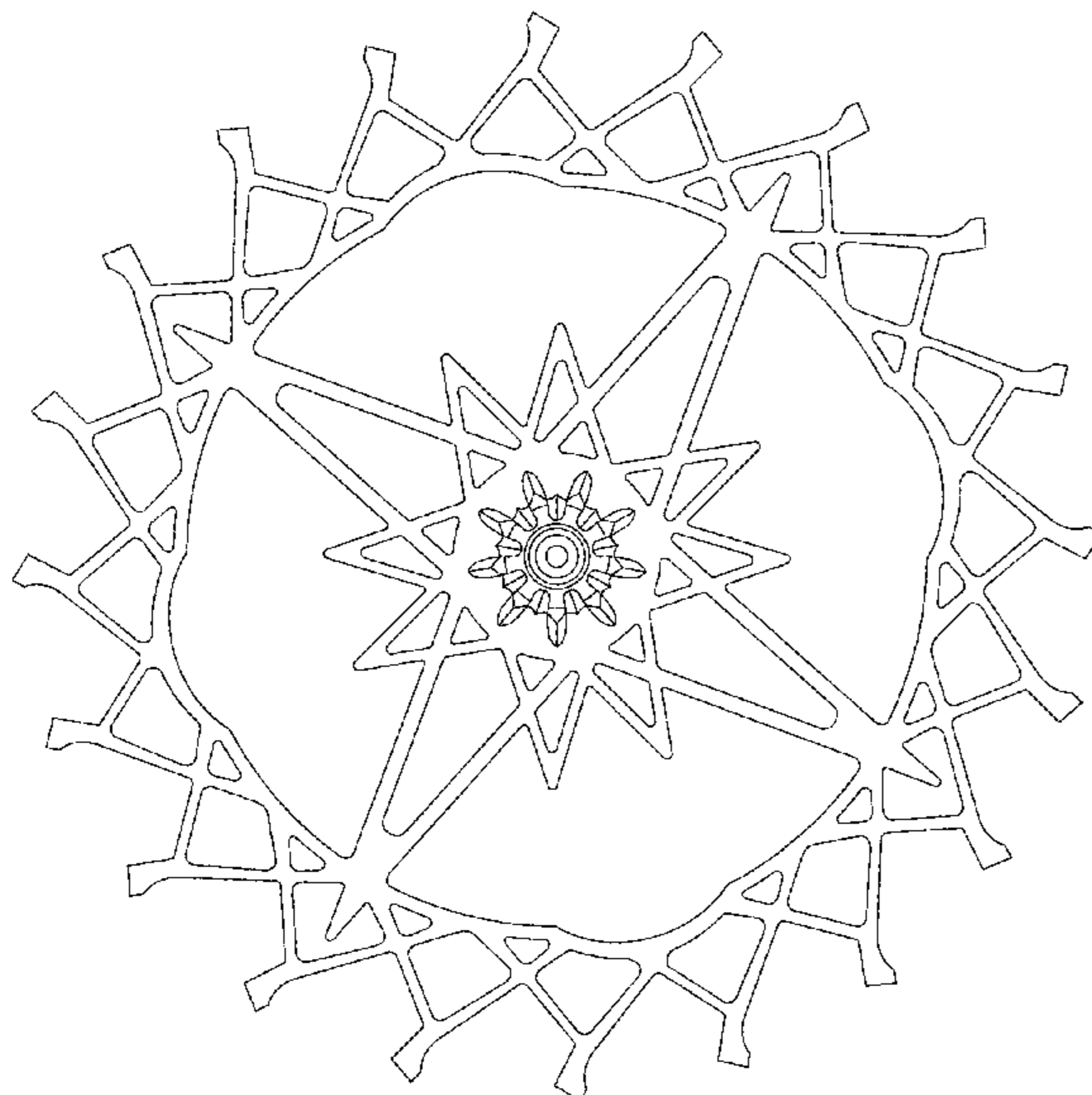
FIG. 5 is a top view thereof;

FIG. 6 is a bottom view thereof; and

FIG. 7 is a front perspective view thereof; and,

FIG. 8 is a rear perspective view thereof.

1 Claim, 8 Drawing Sheets



(56)

References Cited

U.S. PATENT DOCUMENTS

2008/0259738 A1* 10/2008 Cabezas Jurin G04B 15/08
368/131
2012/0113764 A1* 5/2012 Queval G04B 13/022
368/127
2015/0103637 A1* 4/2015 Marechal G04B 15/08
368/130
2016/0289030 A1* 10/2016 Tokarz B65H 16/005
2018/0231936 A1* 8/2018 Fukuda G04B 15/14
2019/0361397 A1* 11/2019 Vardi G04B 15/14

* cited by examiner

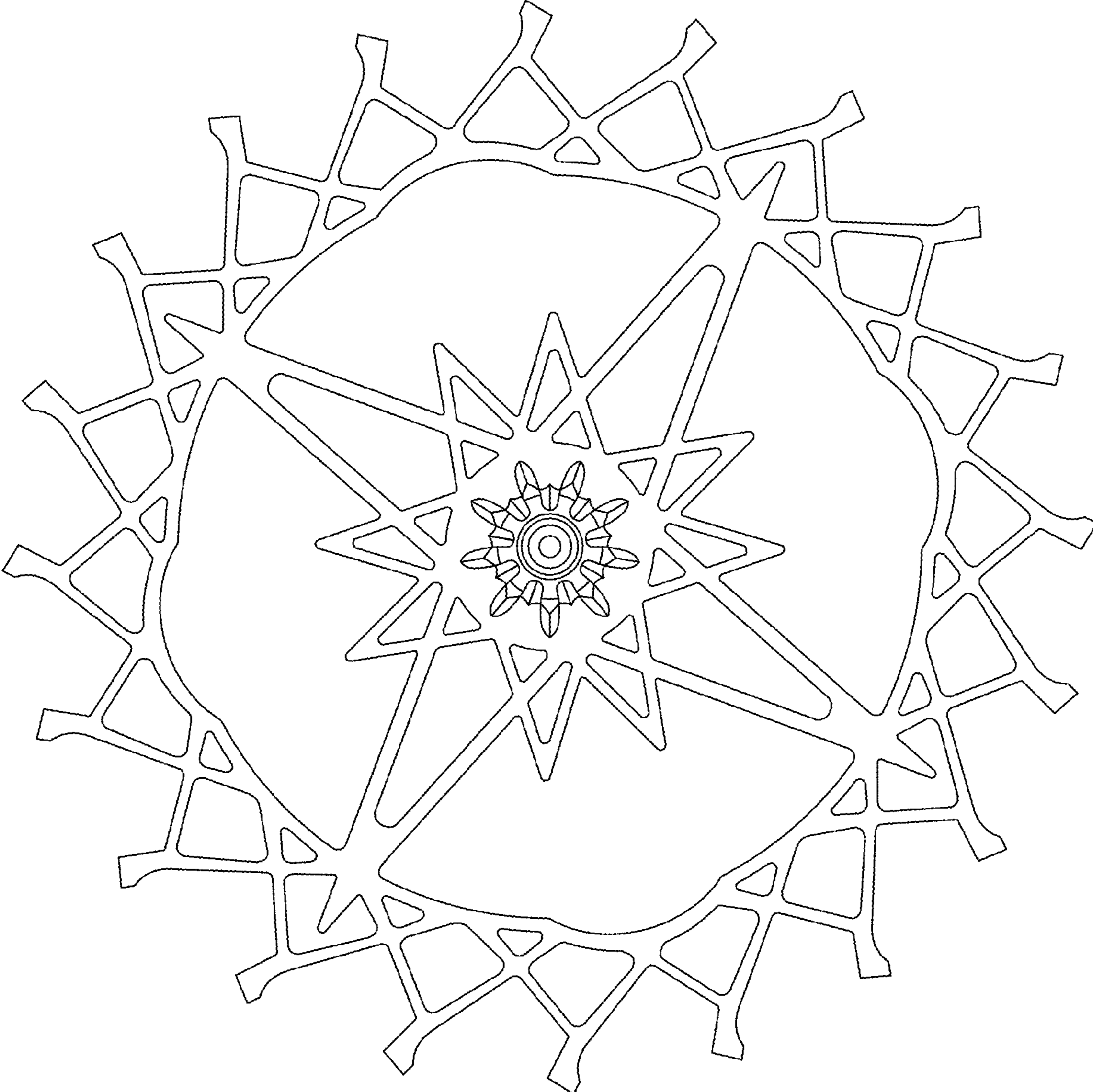


FIG. 1

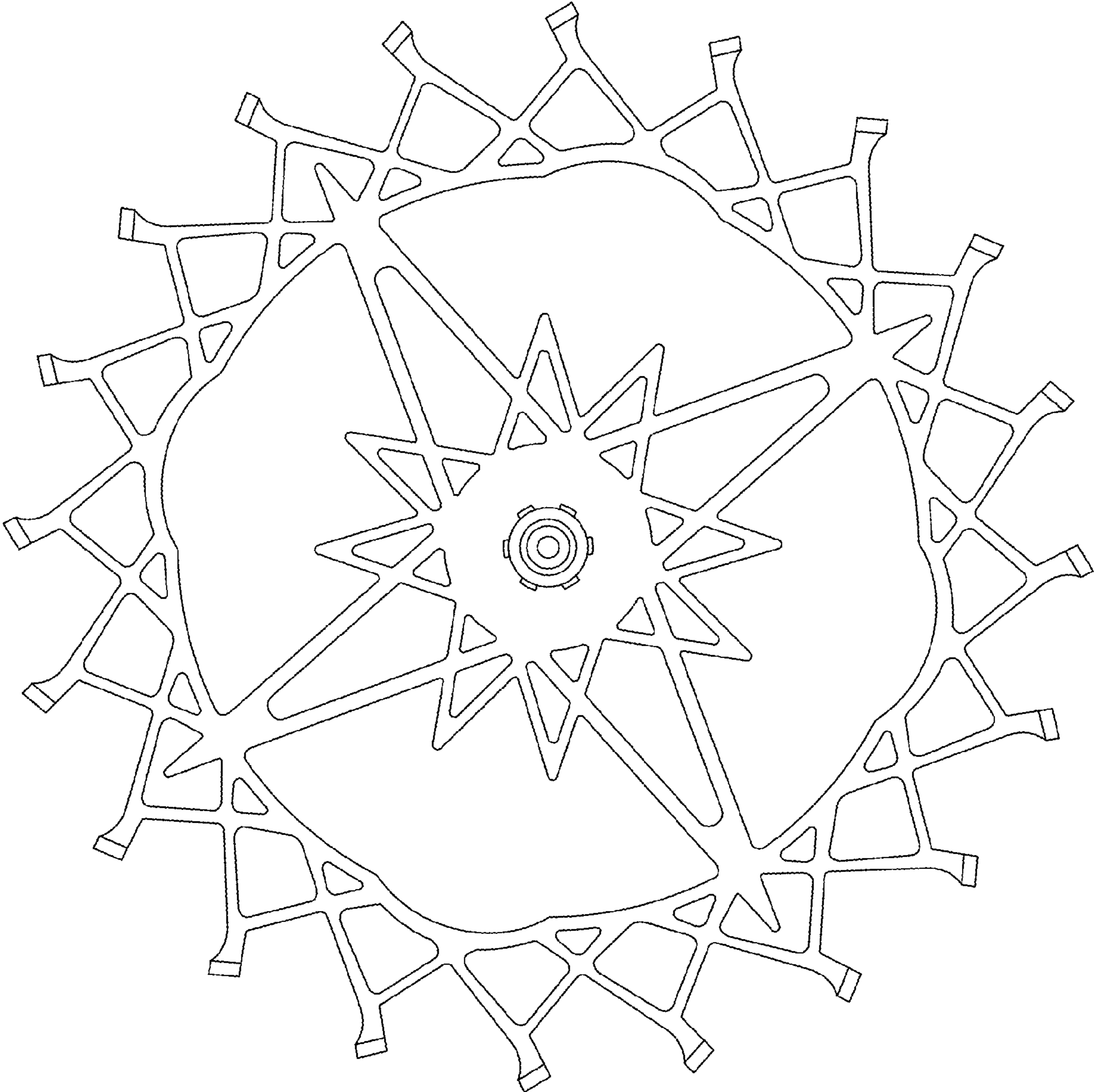


FIG. 2

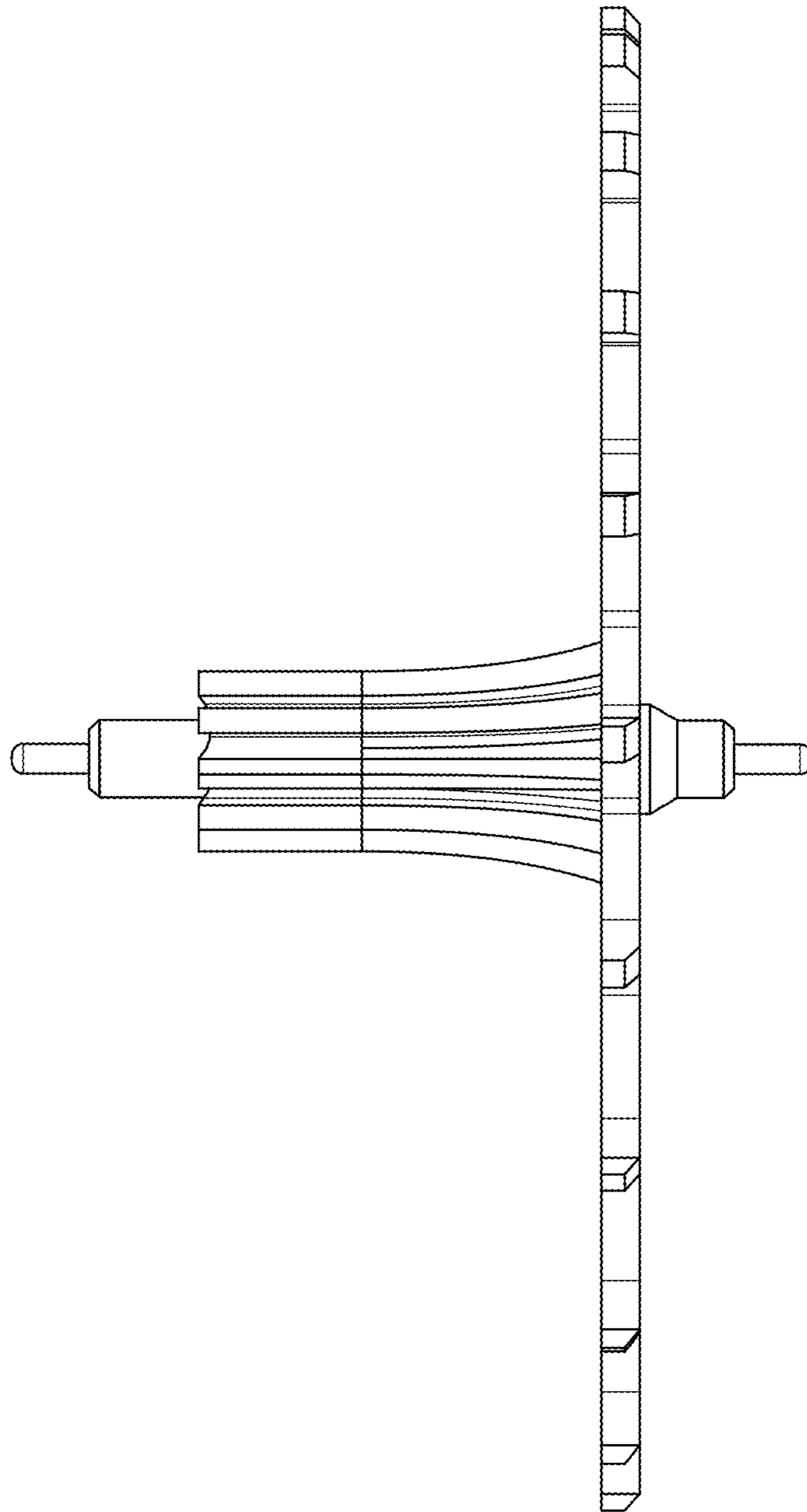


FIG. 3

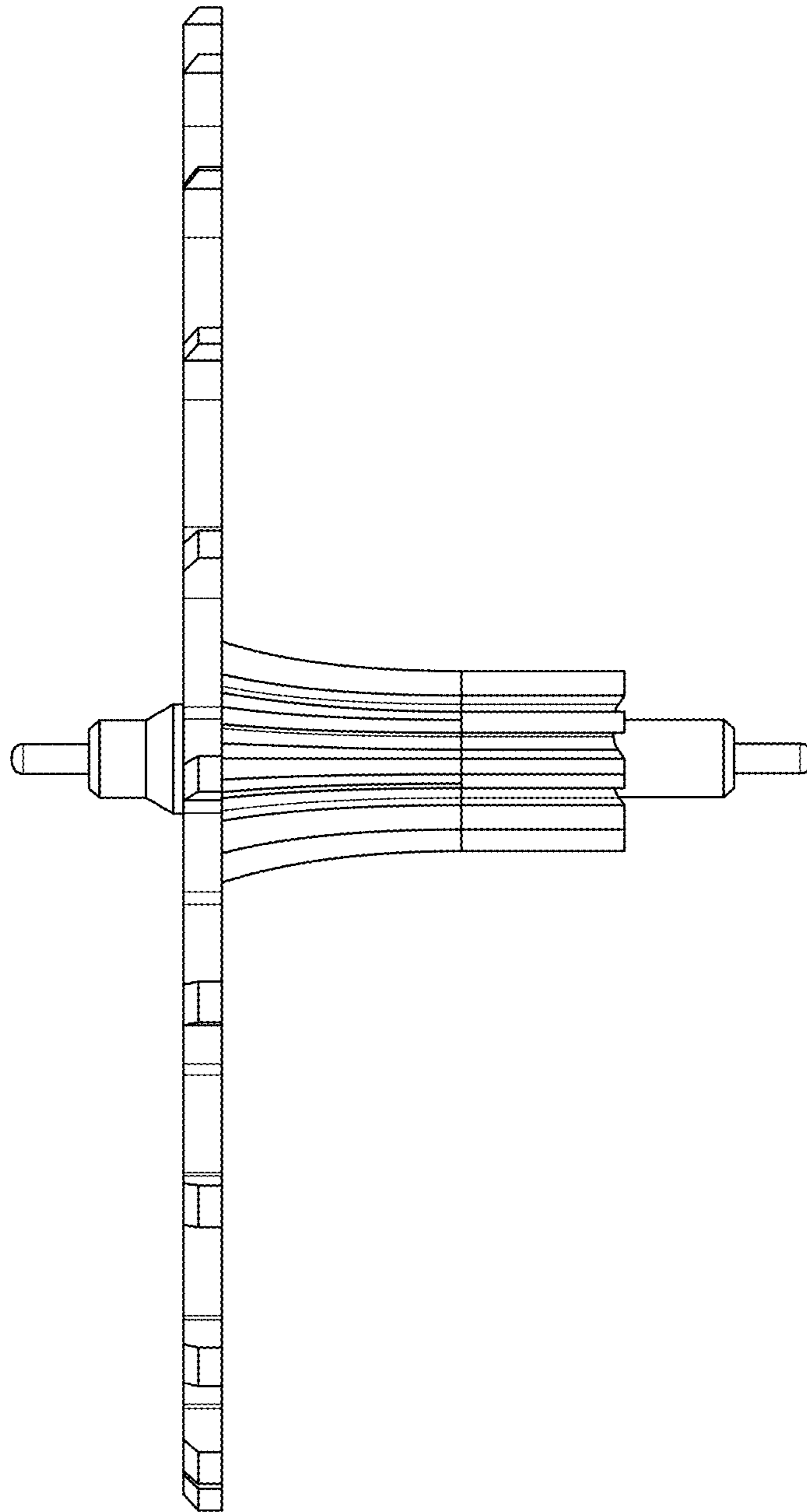


FIG. 4

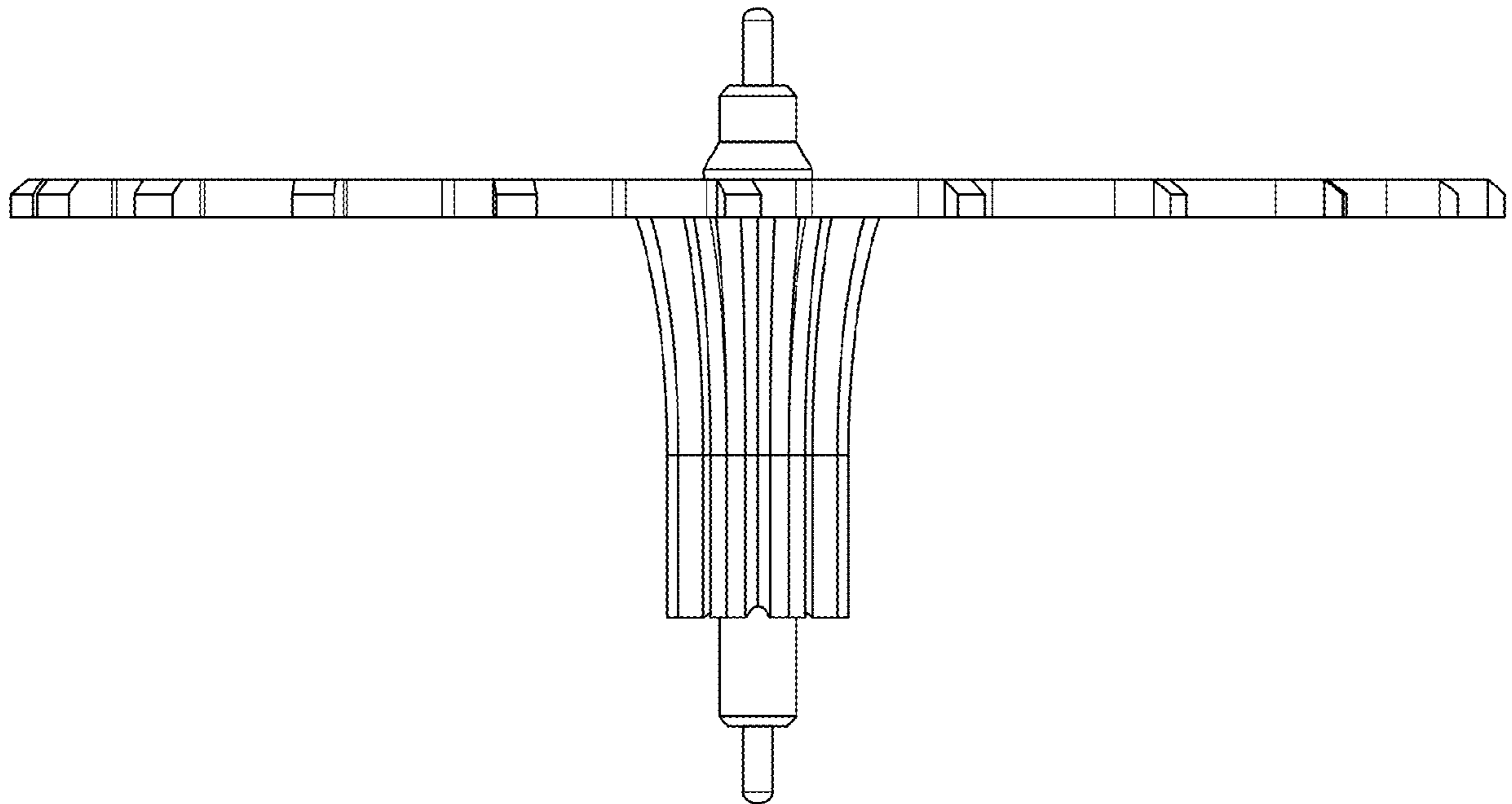


FIG. 5

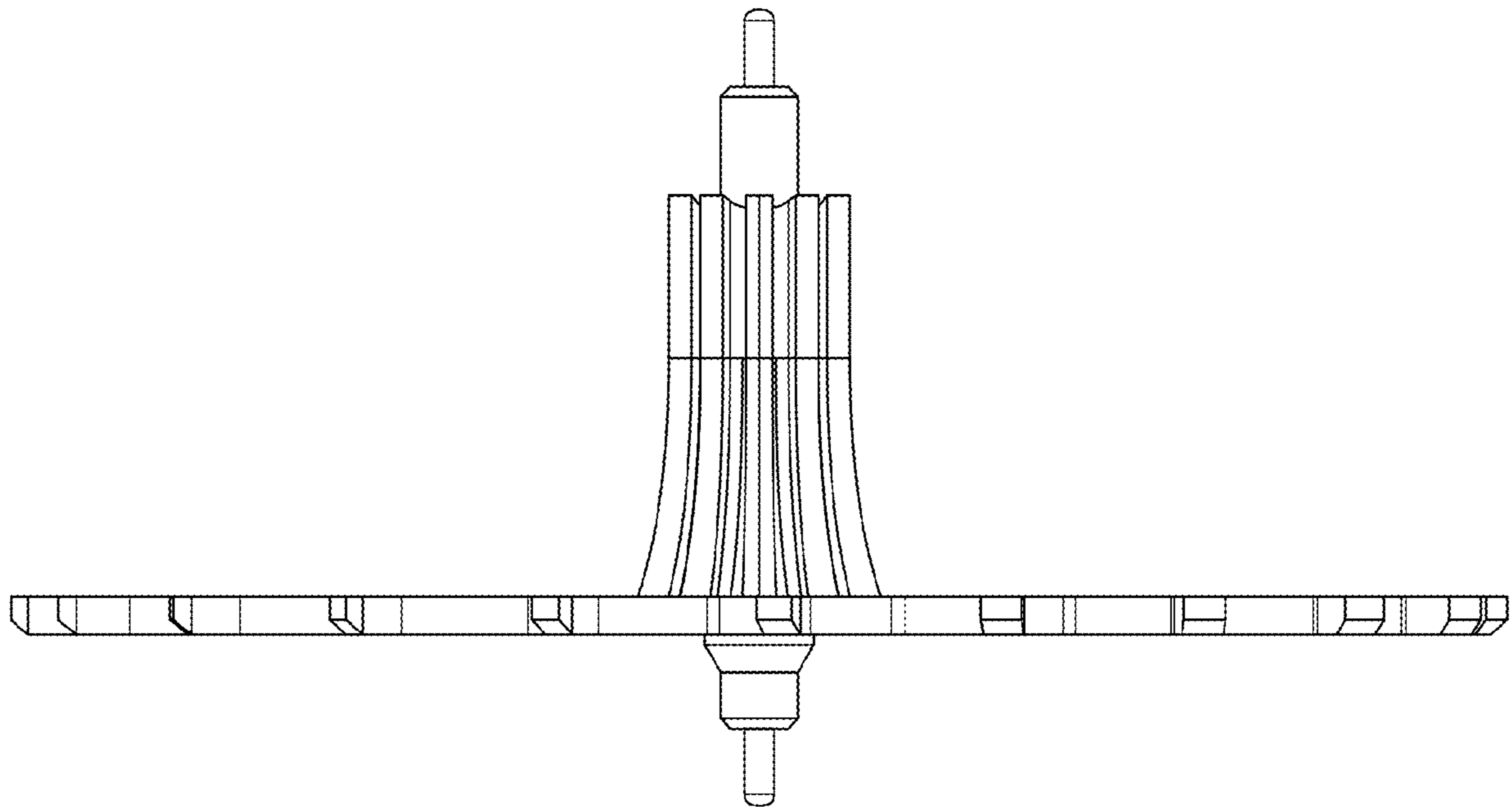


FIG. 6

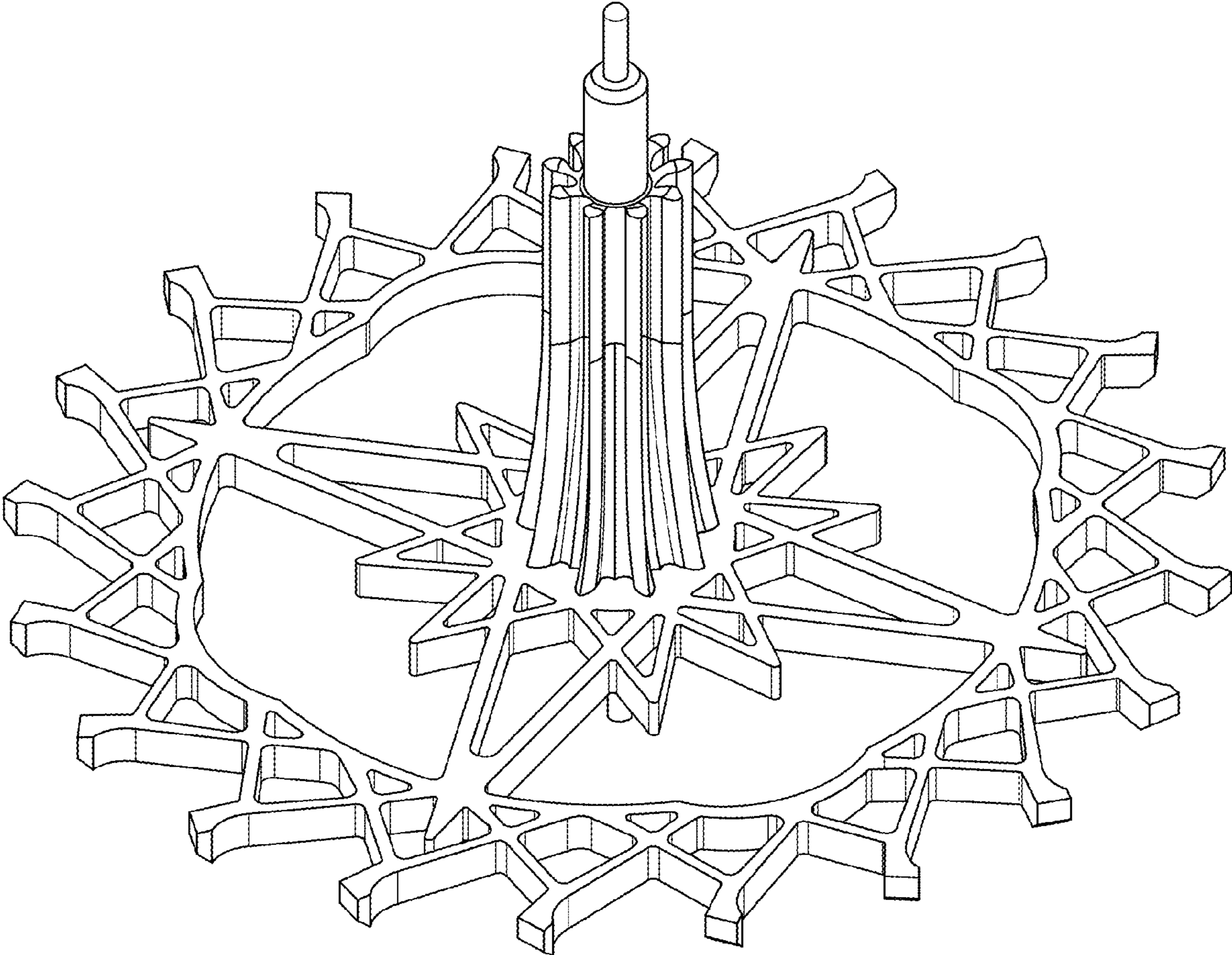


FIG. 7

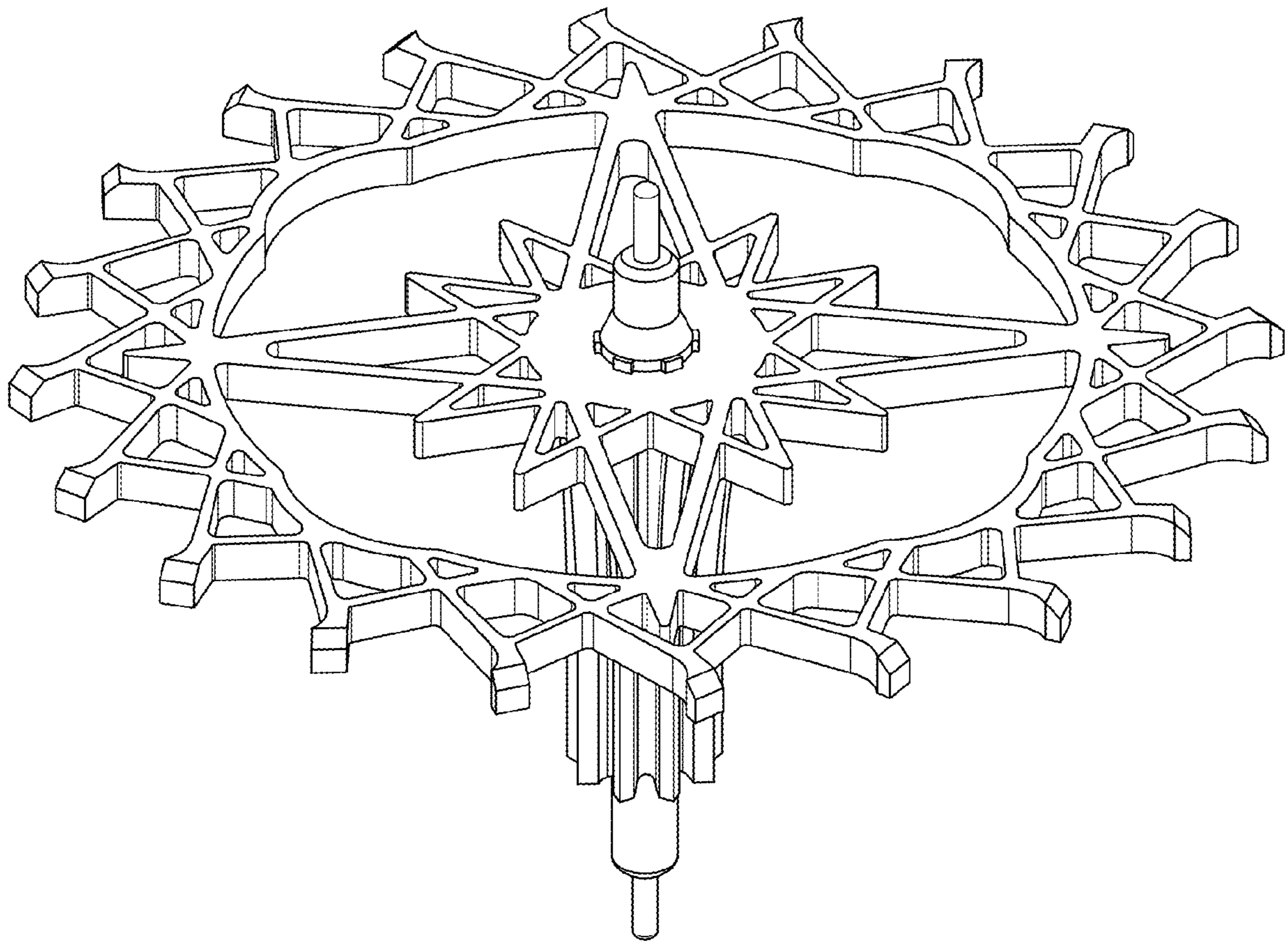


FIG. 8