



US00D881057S

(12) **United States Design Patent**
Fan

(10) **Patent No.:** **US D881,057 S**

(45) **Date of Patent:** **** Apr. 14, 2020**

(54) **LAMP FOR WARNING**

(71) Applicant: **Shaoxing Shangyu Xinhua Electrical Appliance Co., Ltd.**, Shaoxing, Zhejiang (CN)

(72) Inventor: **Lvhua Fan**, Shaoxing (CN)

(73) Assignee: **Shaoxing Shangyu Xinhua Electrical Appliance Co., Ltd.**, Shaoxing, Zhejiang (CN)

(**) Term: **15 Years**

(21) Appl. No.: **29/642,701**

(22) Filed: **Apr. 1, 2018**

(30) **Foreign Application Priority Data**

Oct. 17, 2017 (CN) 2017 3 0530172

(51) **LOC (12) Cl.** **10-05**

(52) **U.S. Cl.**
USPC **D10/114.1**

(58) **Field of Classification Search**
USPC D10/70, 97, 103, 104.1, 104.2,
D10/106.1-106.95, 108, 114.1, 121, 123,
D10/124, 125, 126, 132

CPC G08B 17/00; G08B 17/06; G08B 17/10;
G08B 17/11; G08B 17/12; G08B 17/103;
G08B 17/107; G08B 21/02; G08B
21/0202; G08B 21/0205; B60Q 7/00;
F21L 2/00

See application file for complete search history.

(56) **References Cited**

U.S. PATENT DOCUMENTS

D510,289 S * 10/2005 Dueker D10/109.1
7,088,222 B1 * 8/2006 Dueker B60Q 7/00
340/321

D654,387 S * 2/2012 Wilson D10/114.2
D678,100 S * 3/2013 Hwang D10/114.1
D682,451 S * 5/2013 Hardy D26/60
D707,146 S * 6/2014 Bennett B60Q 7/00
D10/114.2
9,046,229 B2 * 6/2015 Bennett F21L 2/00
D737,165 S * 8/2015 Bjorklund F21L 2/00
D10/113.1
D779,986 S * 2/2017 Deyaf F21L 2/00
D10/114.5
2007/0176784 A1 * 8/2007 Fautin B60Q 1/52
340/686.1
2012/0287611 A1 * 11/2012 Wilson F21L 2/00
362/183

* cited by examiner

Primary Examiner — George D. Kirschbaum

Assistant Examiner — Joseph J Kukella

(74) *Attorney, Agent, or Firm* — Raymond Y. Chan;
David and Raymond Patent Firm

(57) **CLAIM**

The ornamental design for a lamp for warning, as shown and described.

DESCRIPTION

FIG. 1 is a perspective view of a caution light showing our new design.

FIG. 2 is another perspective view thereof.

FIG. 3 is a front view thereof.

FIG. 4 is a rear view thereof.

FIG. 5 is a left view thereof.

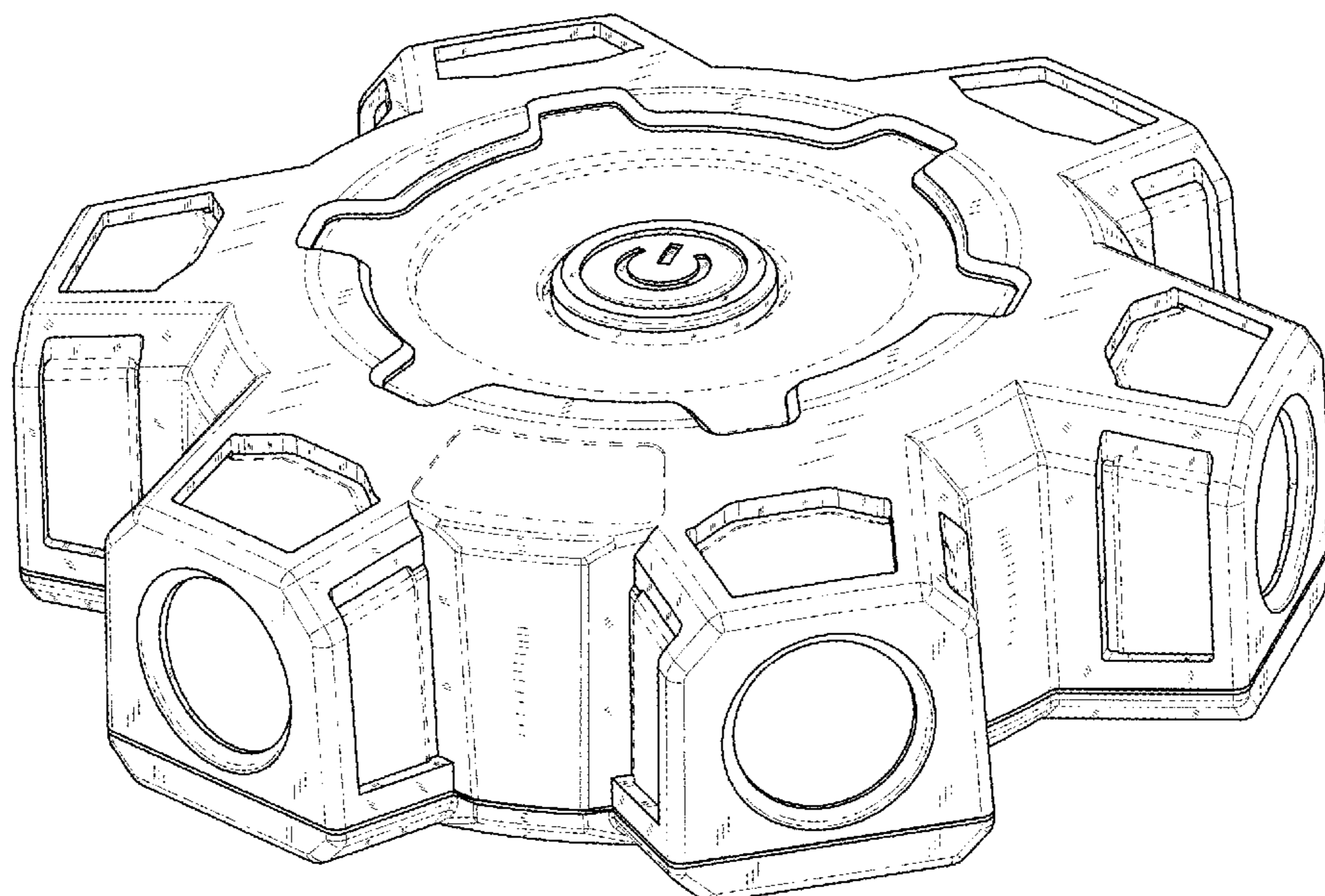
FIG. 6 is a right view thereof.

FIG. 7 is a top view thereof; and,

FIG. 8 is a bottom view thereof.

In the drawings, the broken lines depict portions of the lamp for warning that form no part of the claimed design.

1 Claim, 8 Drawing Sheets



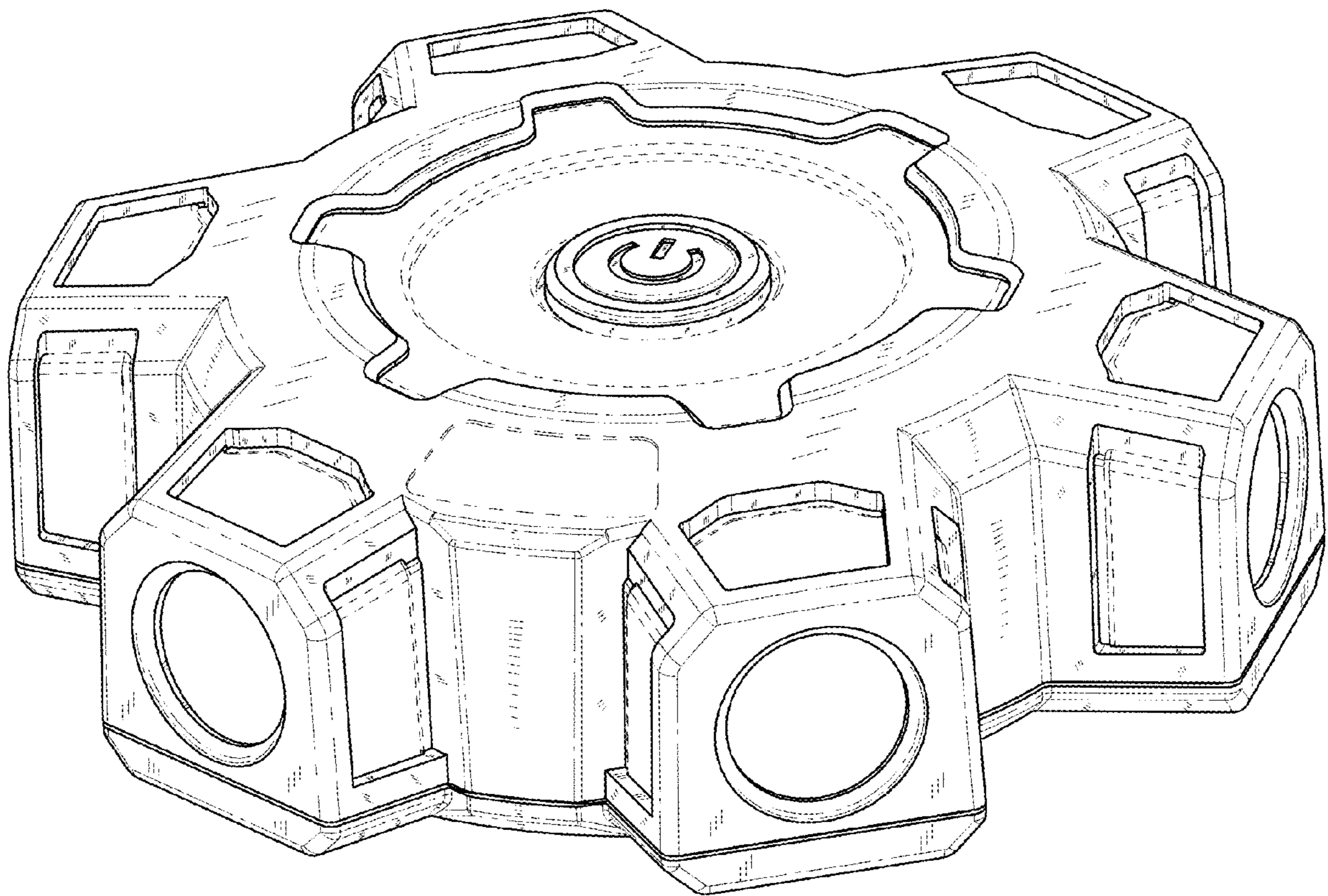


FIG.1

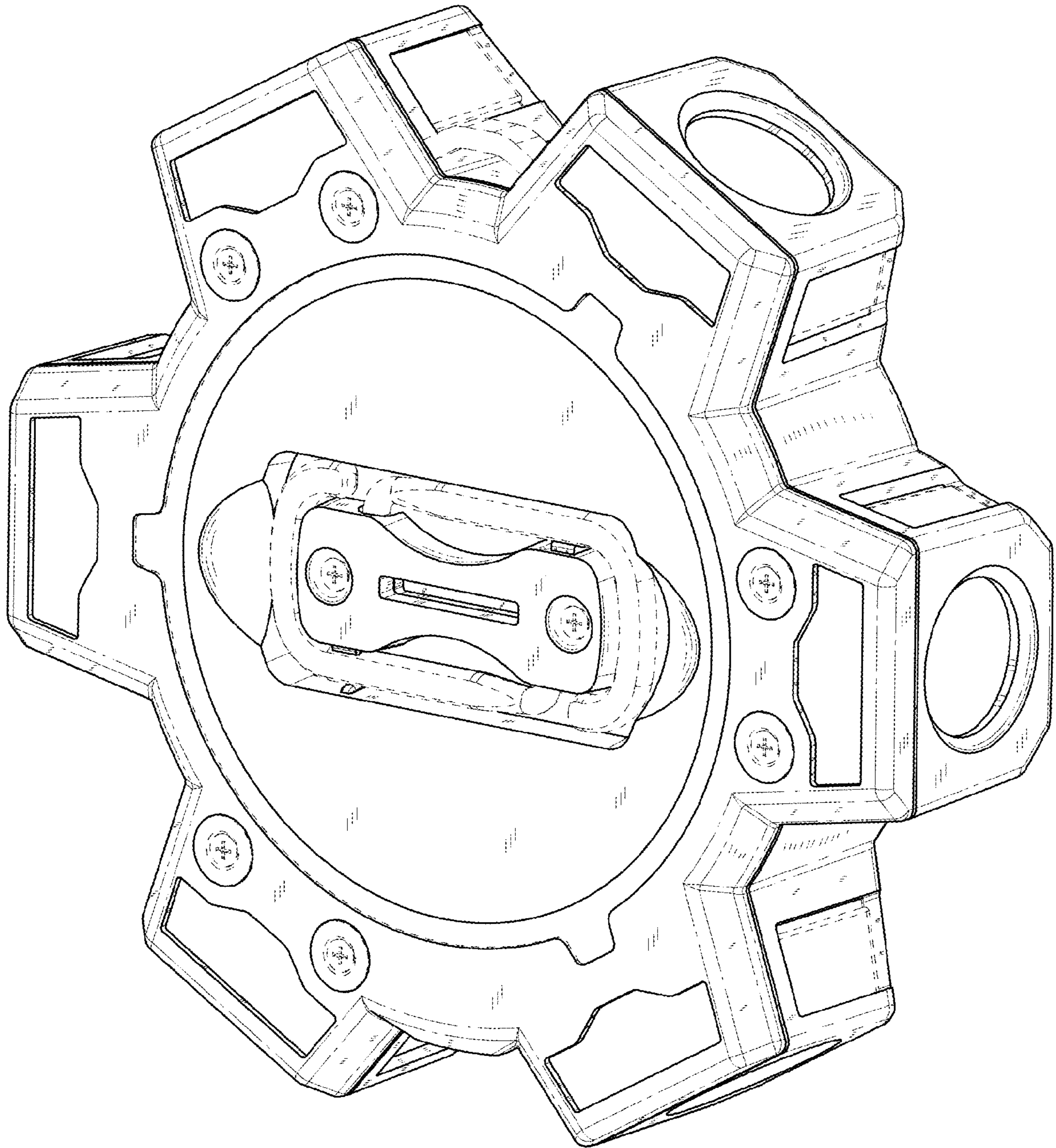


FIG.2

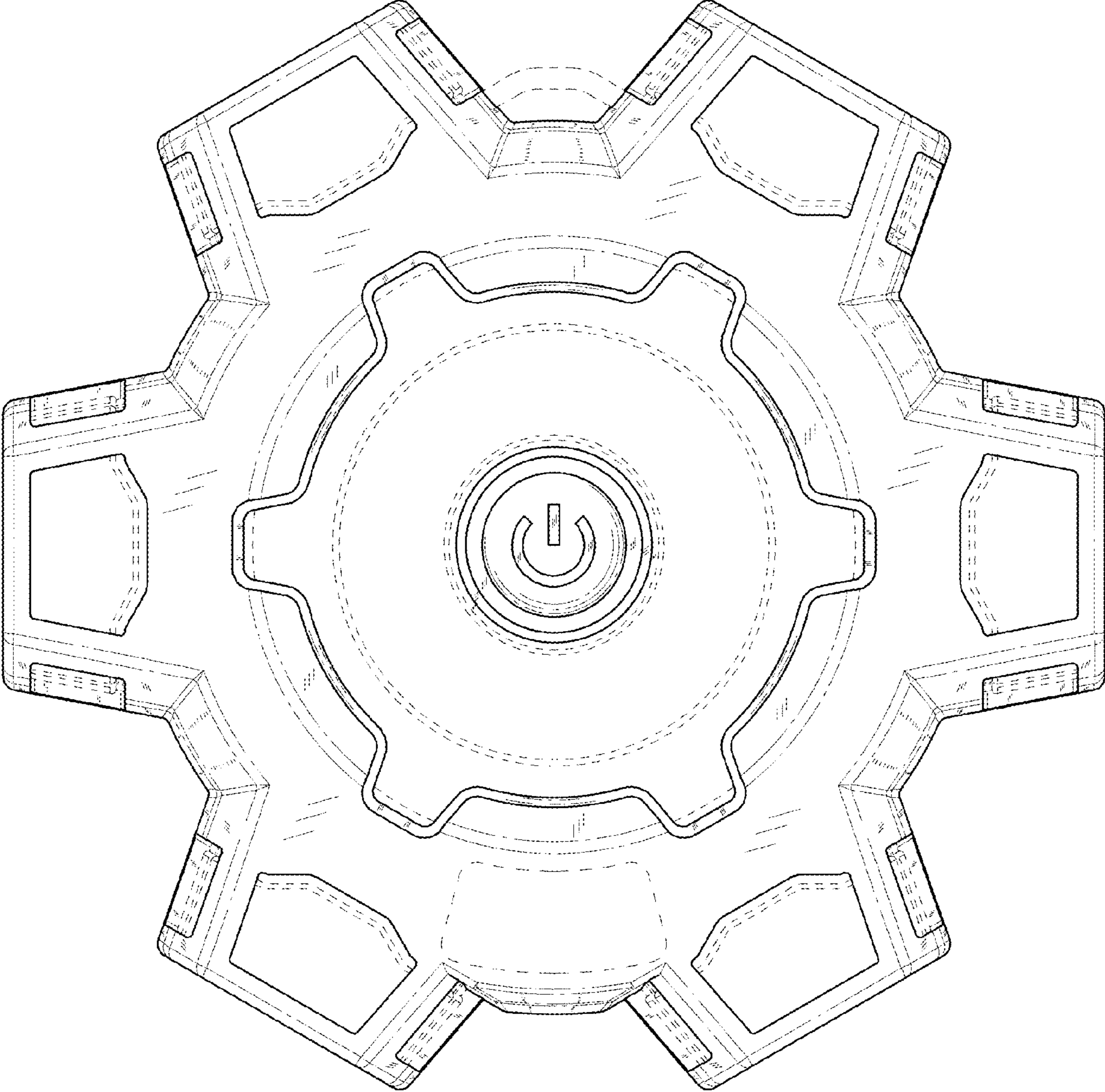


FIG.3

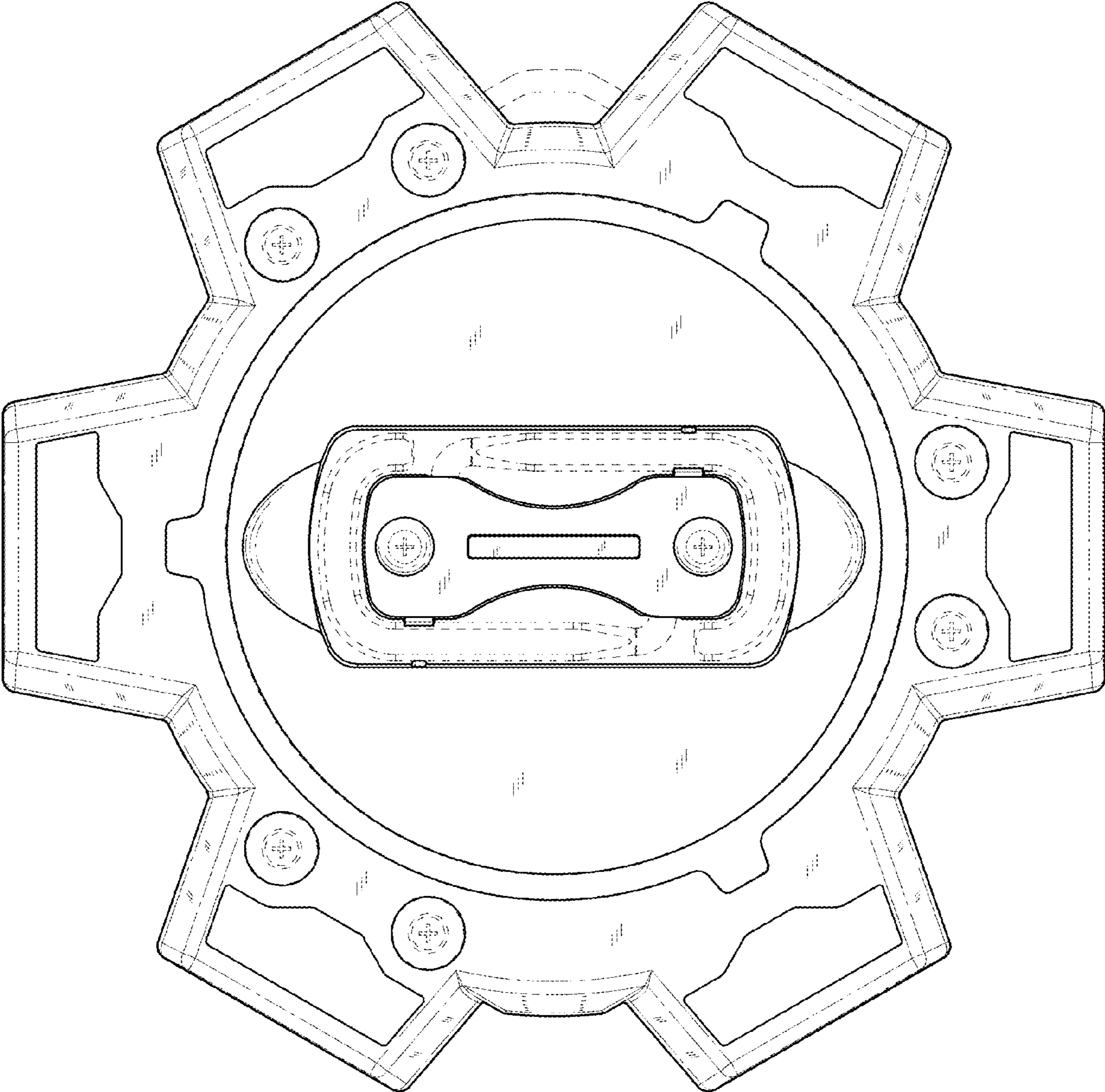


FIG.4

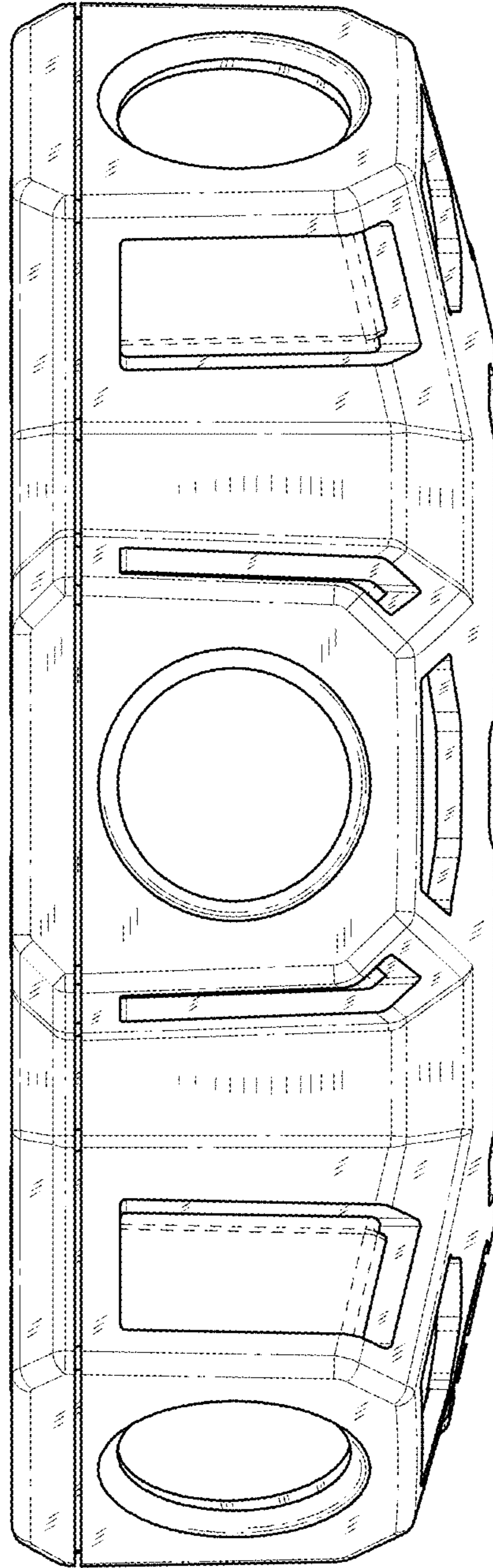


FIG.5

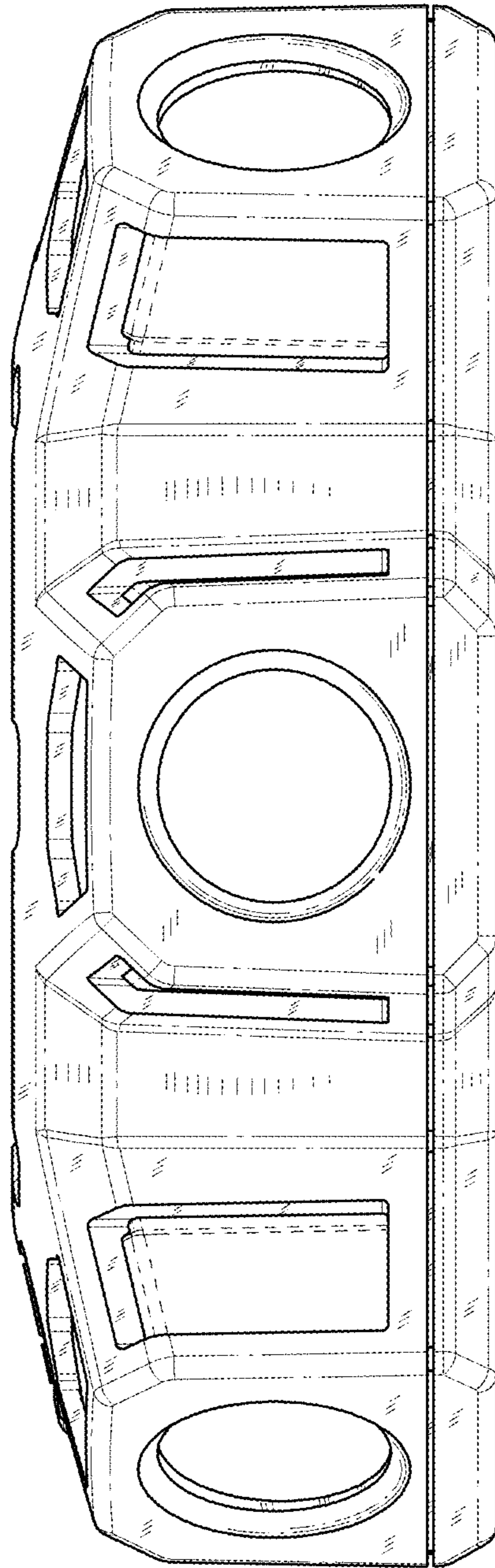


FIG.6

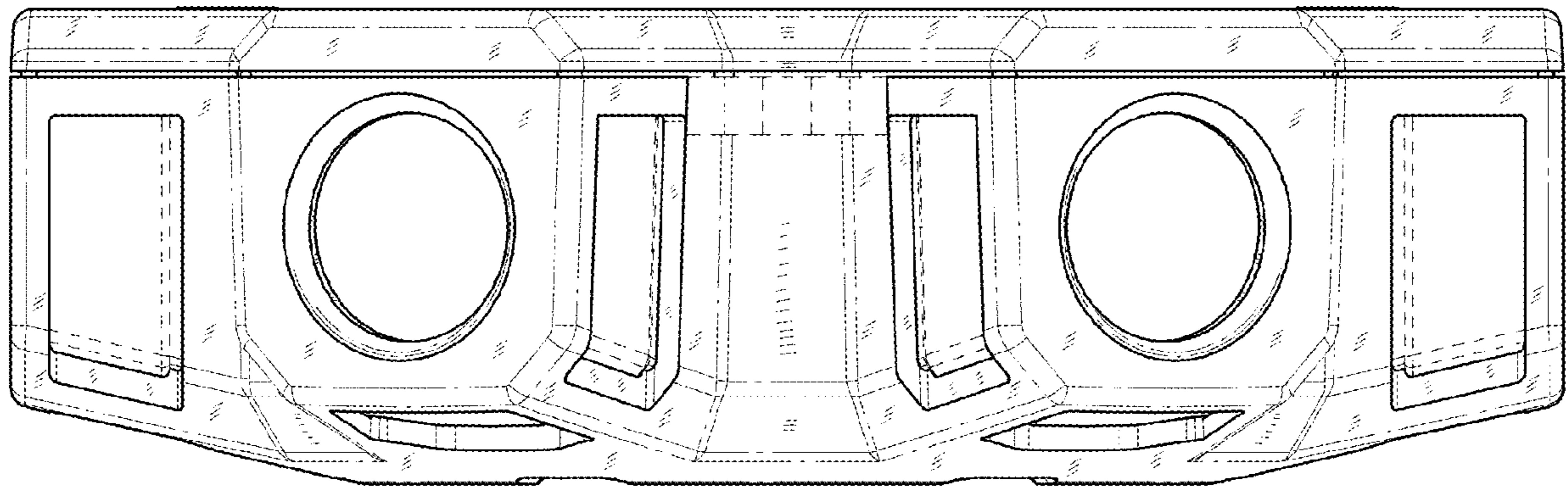


FIG.7

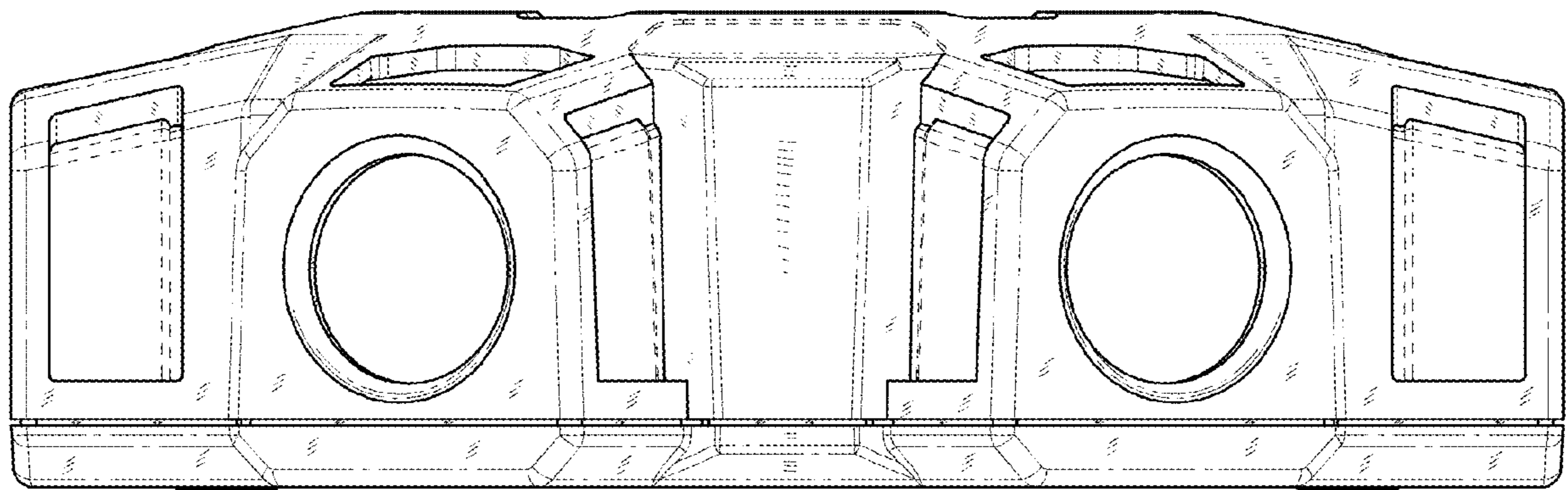


FIG.8