



US00D881055S

(12) **United States Design Patent**  
**Hong**

(10) **Patent No.:** **US D881,055 S**

(45) **Date of Patent:** **\*\* Apr. 14, 2020**

(54) **VEHICLE LIFE DETECTOR**

(71) Applicant: **SHENZHEN WOKES ELECTRONICS CO., LTD.**, Shenzhen (CN)

(72) Inventor: **Yuyun Hong**, Shenzhen (CN)

(73) Assignee: **SHENZHEN WOKES ELECTRONICS CO., LTD.**, Shenzhen (CN)

(\*\*) Term: **15 Years**

(21) Appl. No.: **29/720,472**

(22) Filed: **Jan. 14, 2020**

(51) **LOC (12) Cl.** ..... **10-05**

(52) **U.S. Cl.**  
USPC ..... **D10/106.1**

(58) **Field of Classification Search**  
USPC ..... D10/106.1, 104.1, 52; D16/218, 220, D16/206, 207  
See application file for complete search history.

(56) **References Cited**

**U.S. PATENT DOCUMENTS**

D408,750 S \* 4/1999 Weiss ..... D10/106.6  
D587,150 S 2/2009 Mertens

D610,185 S \* 2/2010 Chou ..... D16/207  
D742,266 S \* 11/2015 Chiasson ..... D10/104.2  
D756,436 S \* 5/2016 Ku ..... D16/200  
D795,092 S \* 8/2017 Trishaun ..... D10/52  
D848,508 S \* 5/2019 Hsu ..... D16/218  
D861,764 S \* 10/2019 Zhao ..... D16/218  
2016/0381292 A1 \* 12/2016 Lu ..... H04N 5/23238  
348/36  
2018/0077378 A1 \* 3/2018 Satoh ..... H04N 5/76

\* cited by examiner

*Primary Examiner* — George D. Kirschbaum

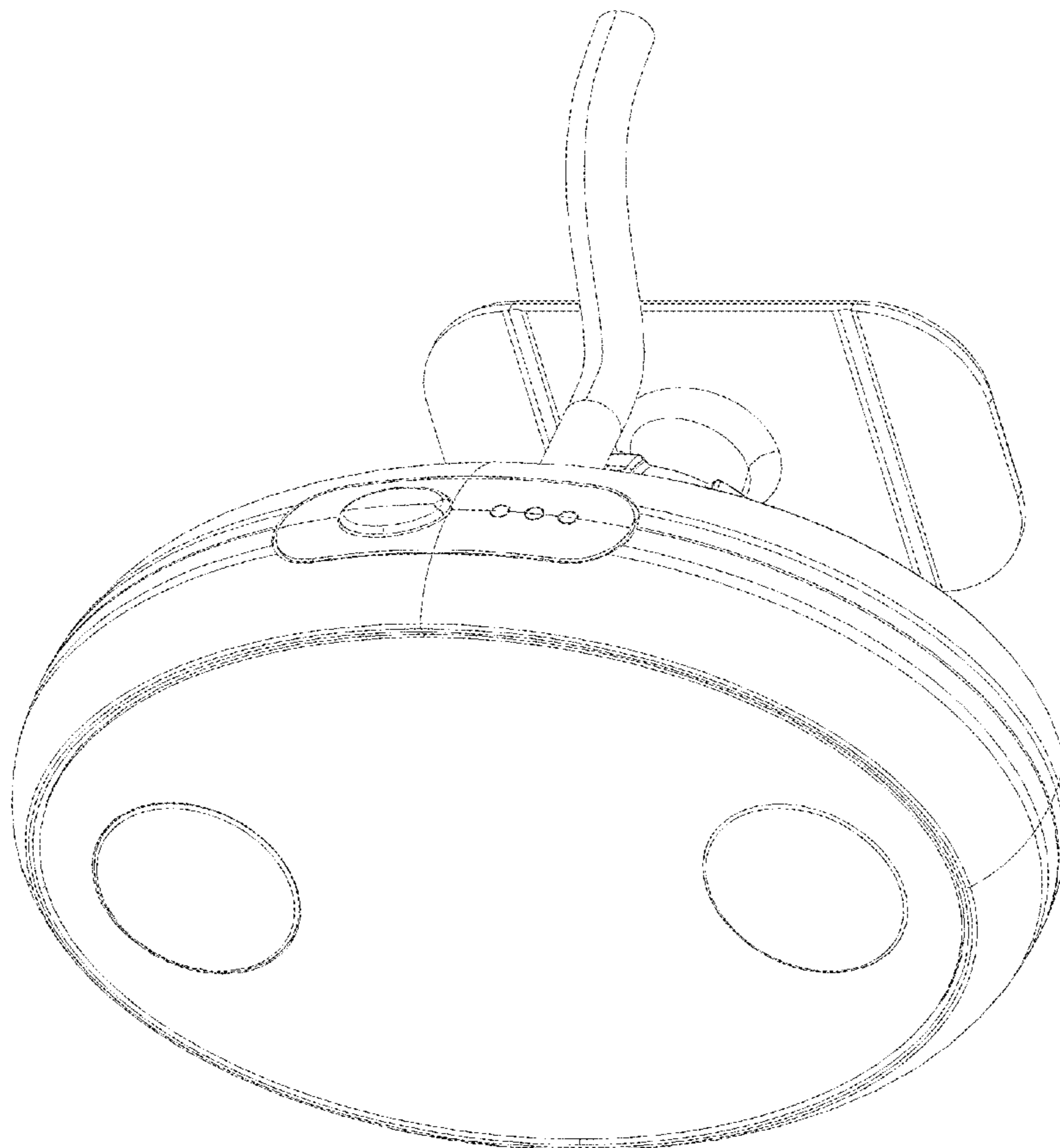
(57) **CLAIM**

The ornamental design for a vehicle life detector, as shown and described.

**DESCRIPTION**

FIG. 1 is a perspective view of a vehicle life detector showing my new design;  
FIG. 2 is a front elevational view thereof;  
FIG. 3 is a rear elevational view thereof;  
FIG. 4 is a left side elevational view thereof;  
FIG. 5 is a right side elevational view thereof;  
FIG. 6 is a top plan view thereof; and,  
FIG. 7 is a bottom plan view thereof.

**1 Claim, 7 Drawing Sheets**



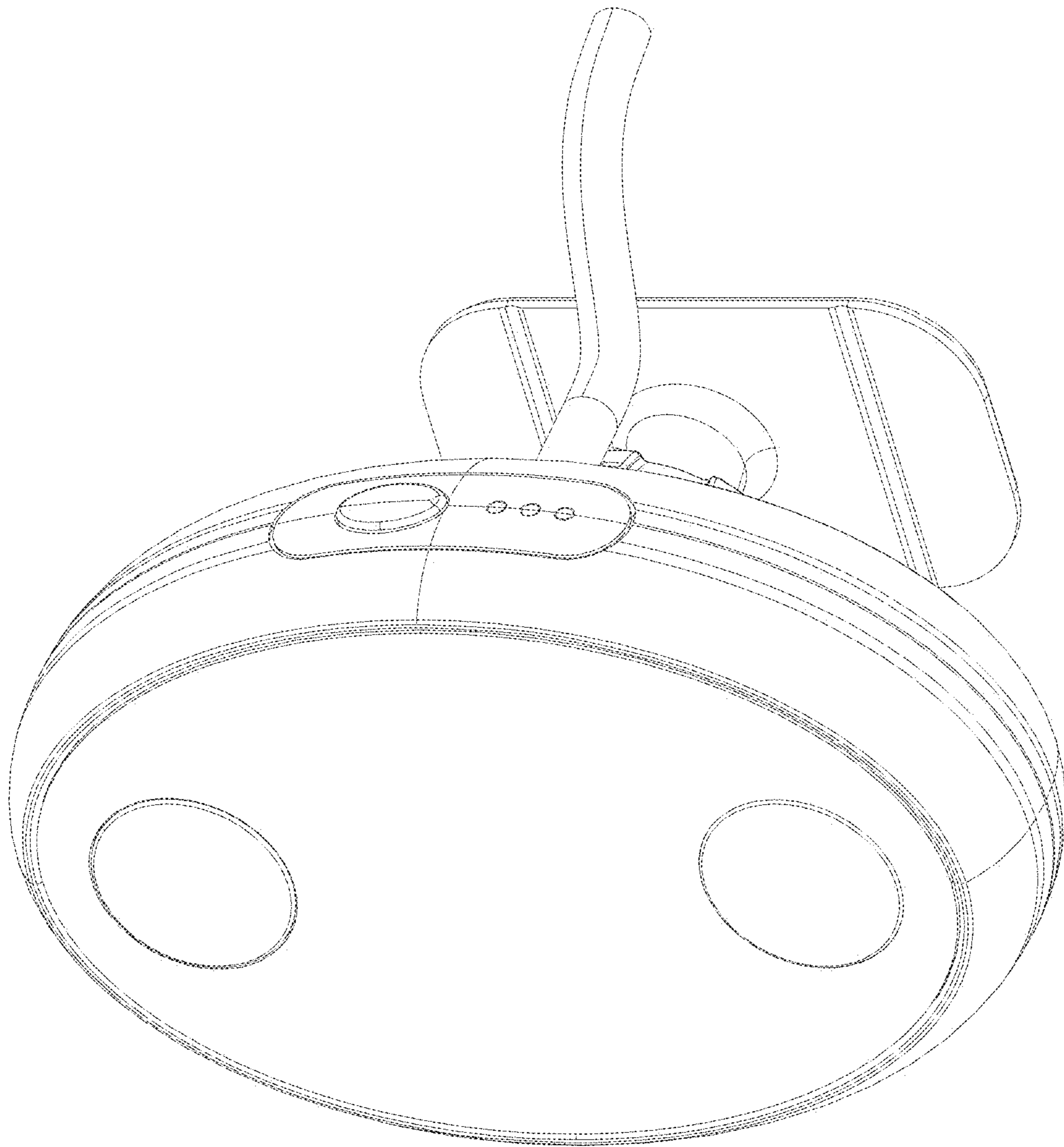


FIG.1

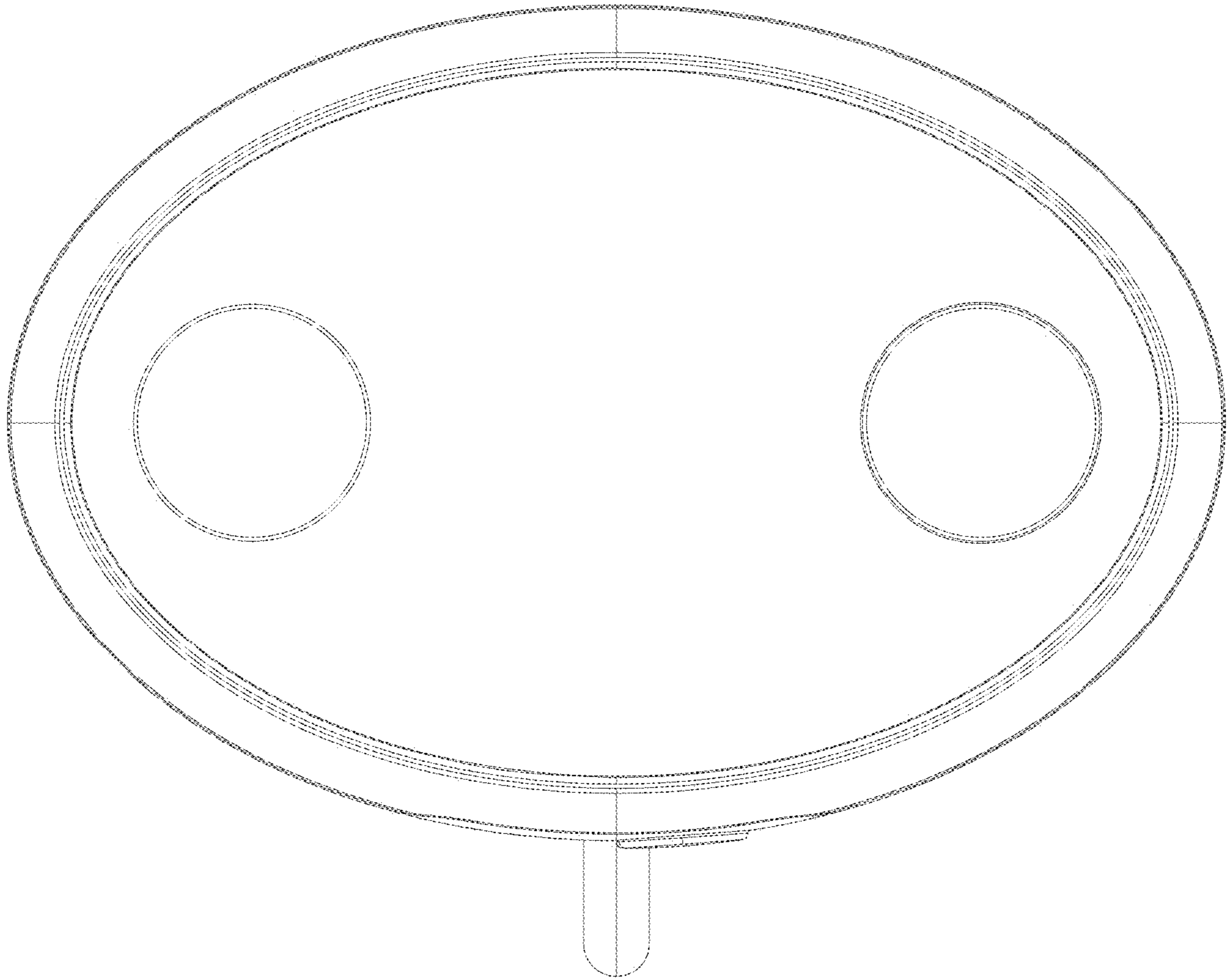


FIG.2

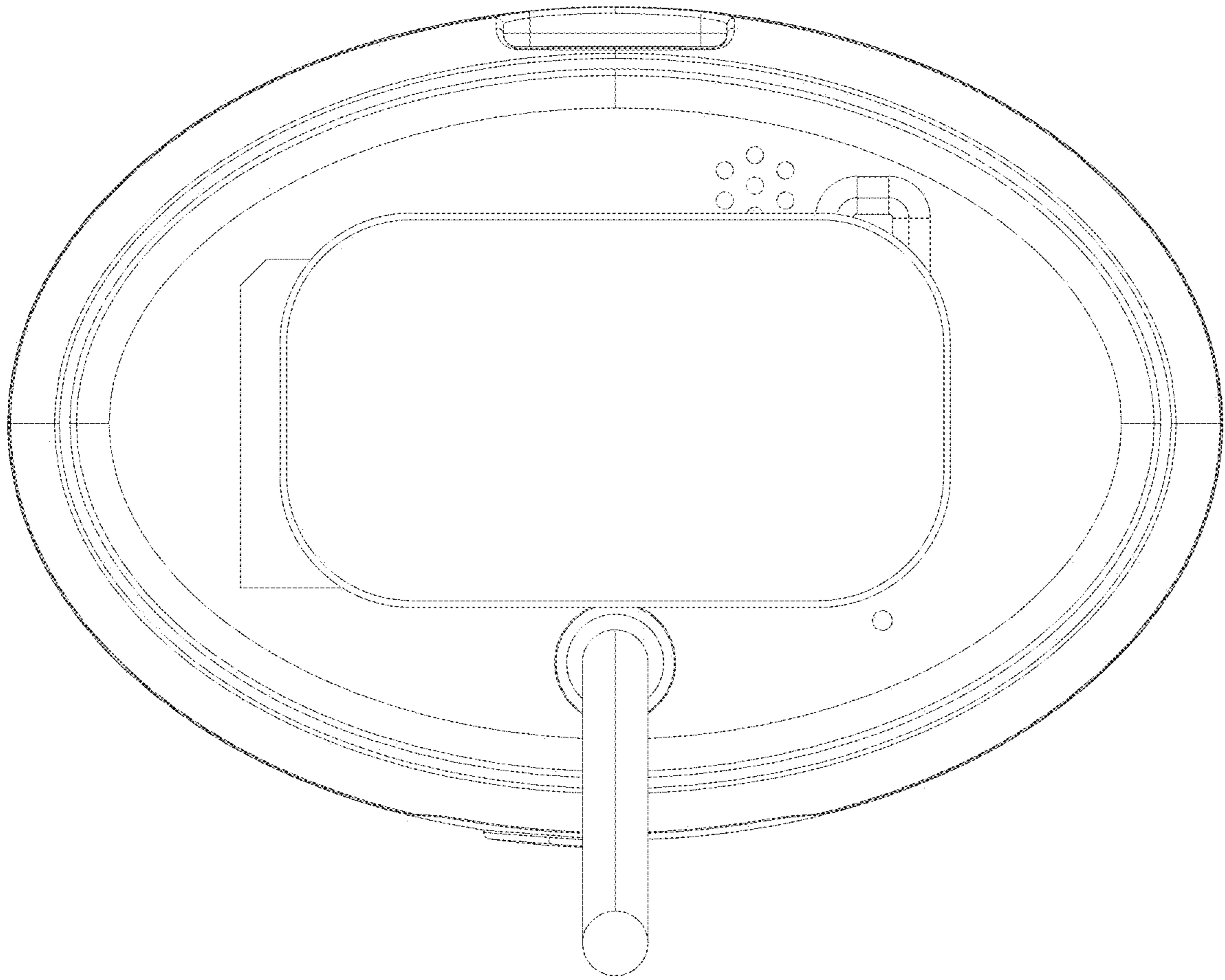


FIG.3

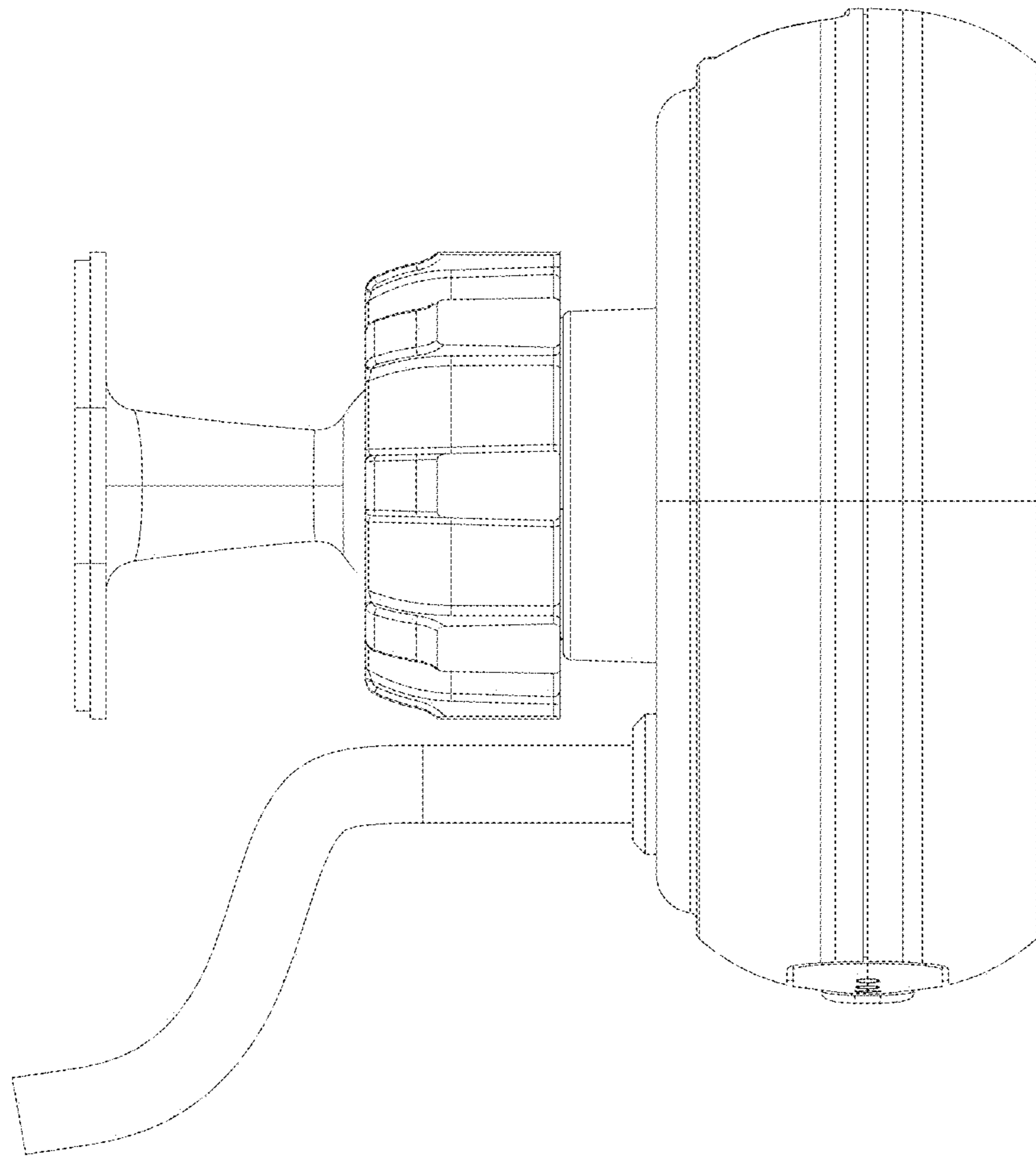


FIG.4

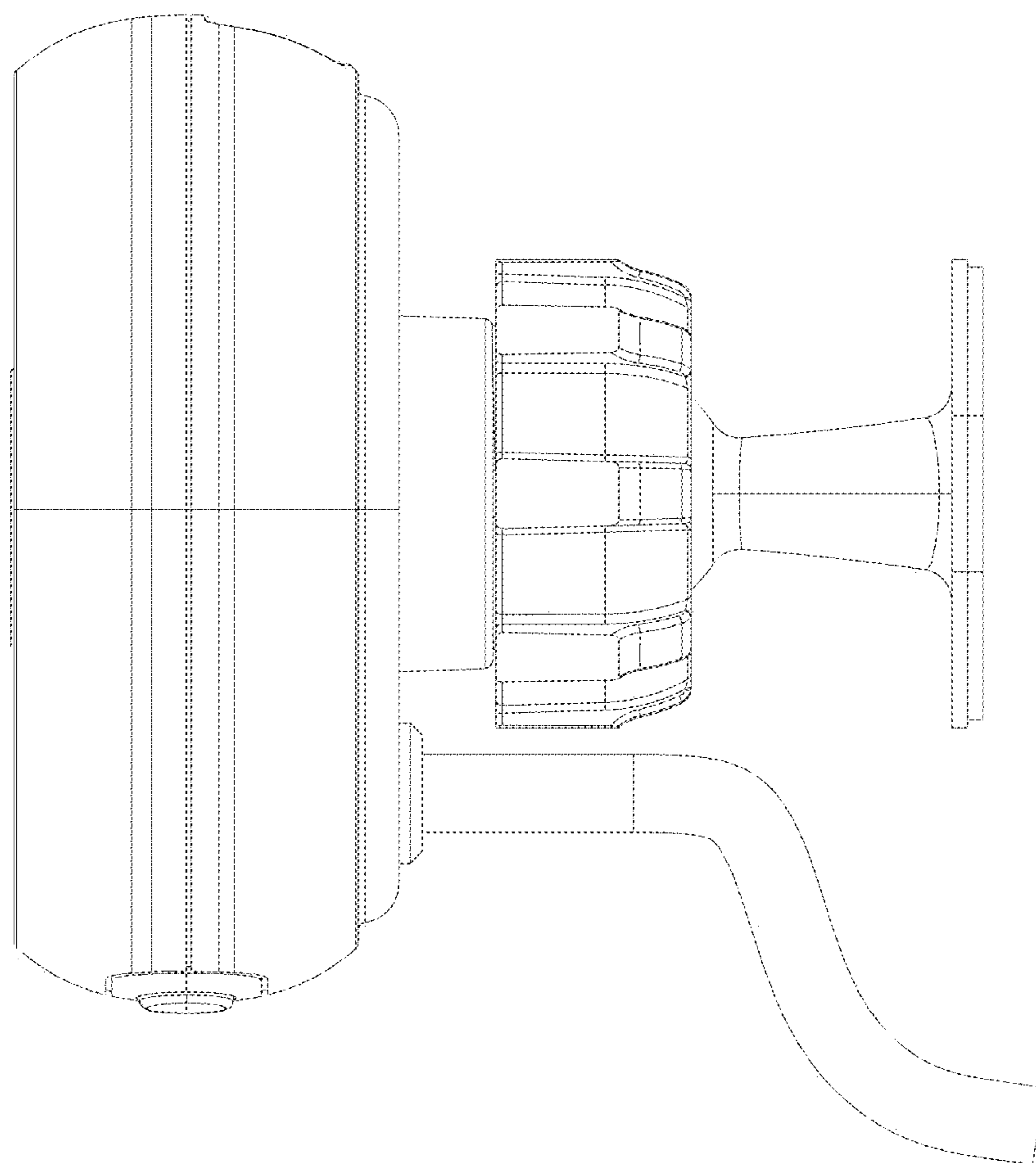


FIG.5

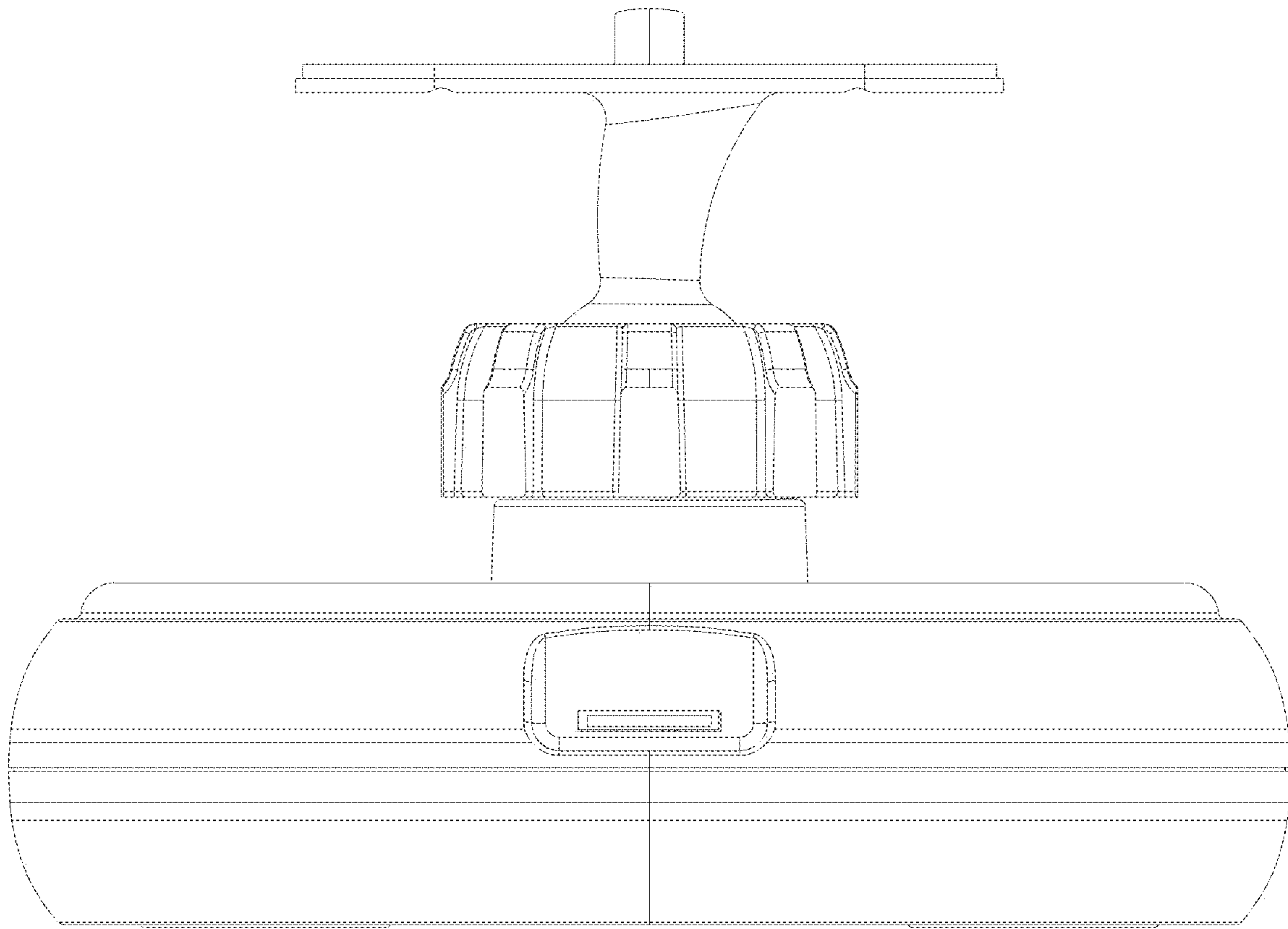


FIG.6

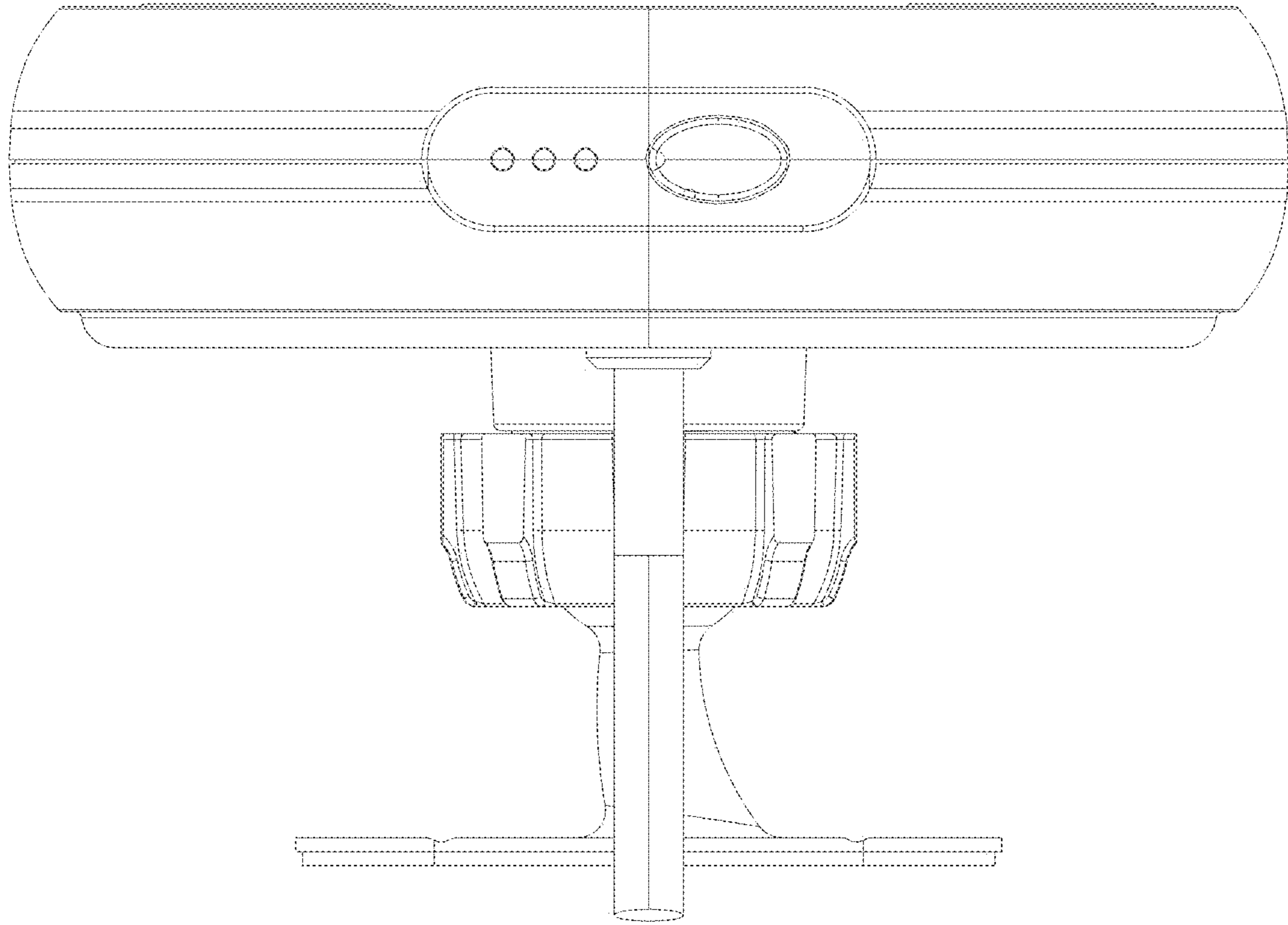


FIG.7