



US00D881052S

(12) **United States Design Patent**
Cai

(10) **Patent No.:** **US D881,052 S**

(45) **Date of Patent:** **** Apr. 14, 2020**

(54) **CALIBRATION SUPPORT**

(71) Applicant: **AUTEL INTELLIGENT TECHNOLOGY CORP., LTD.**,
Shenzhen, Guangdong (CN)

(72) Inventor: **Zhenyu Cai**, Guangdong (CN)

(73) Assignee: **AUTEL INTELLIGENT TECHNOLOGY CORP., LTD.**,
Shenzhen (CN)

(**) Term: **15 Years**

(21) Appl. No.: **29/664,706**

(22) Filed: **Sep. 27, 2018**

(51) **LOC (12) Cl.** **10-04**

(52) **U.S. Cl.**
USPC **D10/103**

(58) **Field of Classification Search**
USPC D10/65, 70, 103; D8/349, 354, 363, 376,
D8/380; D20/41; D25/42, 43; D21/302,
D21/307; D22/113
CPC ... G06D 9/00805; G01S 17/017; G01S 17/89;
G01S 17/936; G01S 7/4865; G01S
7/4868; G01S 11/12; G06K 9/4661;
G06K 9/6293; H04N 5/23216

See application file for complete search history.

(56) **References Cited**

U.S. PATENT DOCUMENTS

D485,742 S *	1/2004	Heberle	D8/354
D597,764 S *	8/2009	Topcuoglu	D20/10
D662,992 S *	7/2012	Hernandez	D20/19

* cited by examiner

Primary Examiner — Antoine Duval Davis

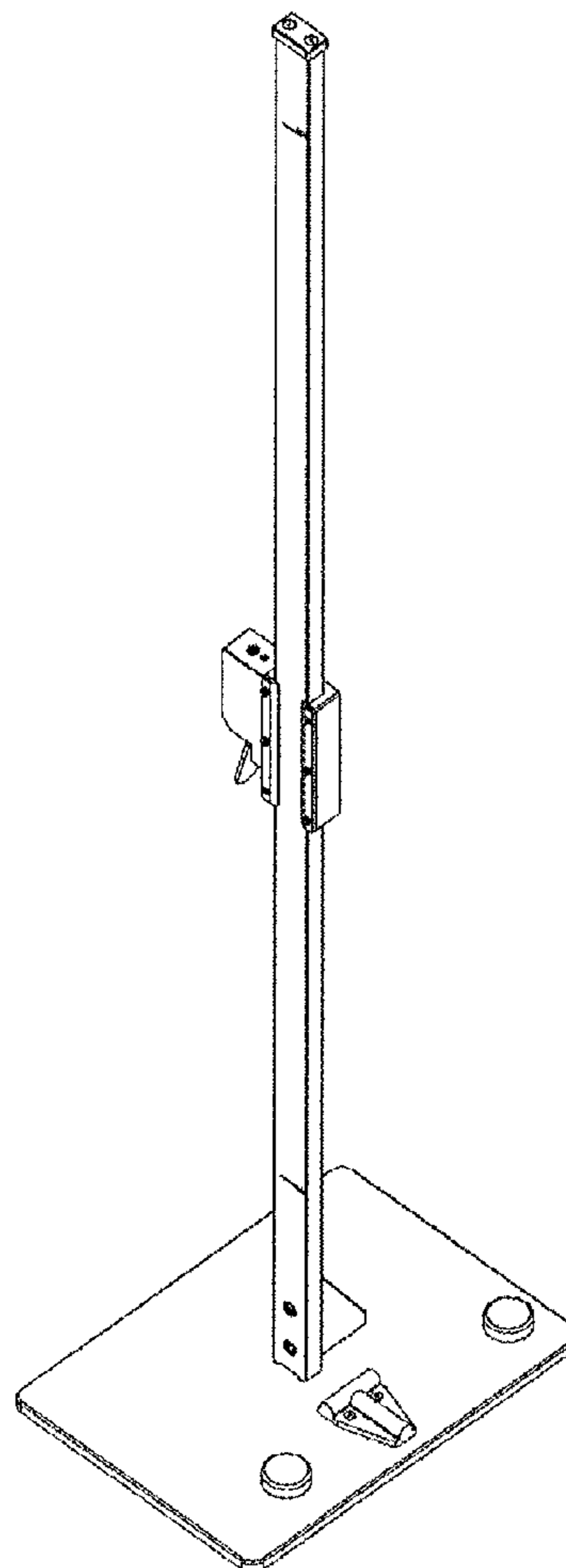
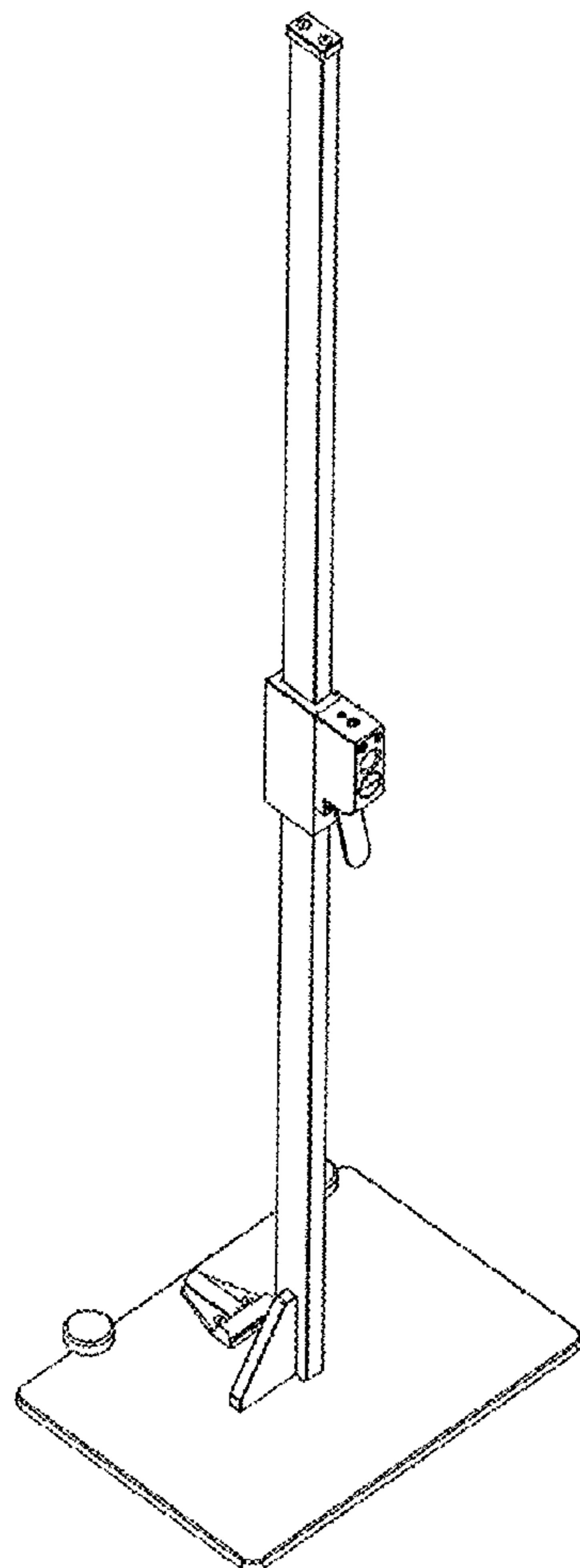
(57) **CLAIM**

The ornamental design for a calibration support, as shown and described.

DESCRIPTION

FIG. 1 is a perspective view of a calibration support showing our new design;
FIG. 2 is another perspective view thereof;
FIG. 3 is a front elevational view thereof;
FIG. 4 is a rear elevational view thereof;
FIG. 5 is a left side elevational view thereof;
FIG. 6 is a right side elevational view thereof;
FIG. 7 is a top plan view thereof; and,
FIG. 8 is a bottom plan view thereof.

1 Claim, 8 Drawing Sheets



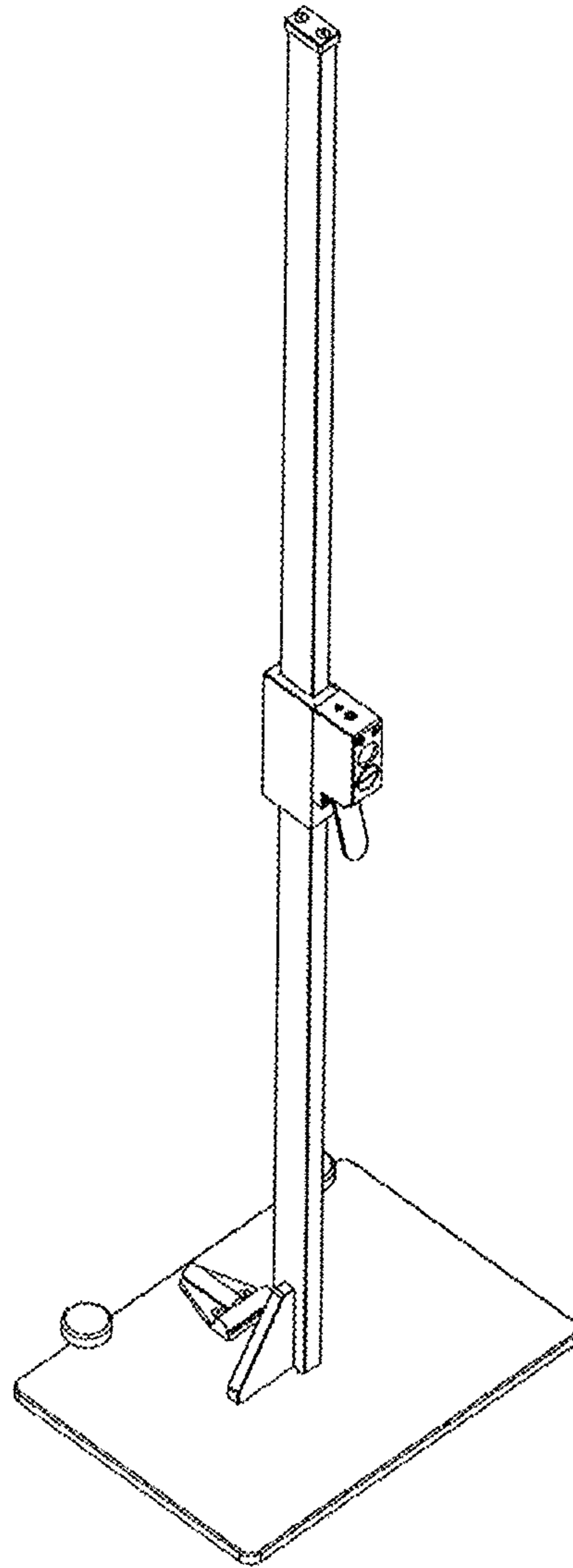


FIG.1

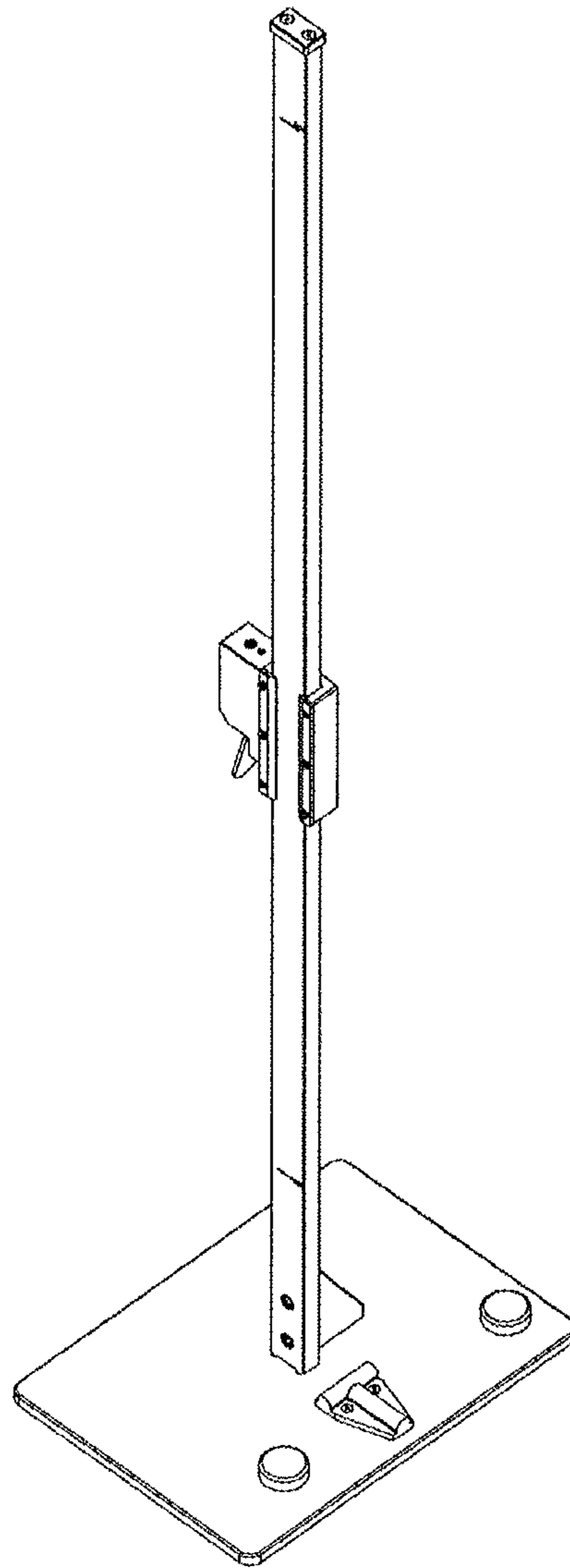


FIG.2

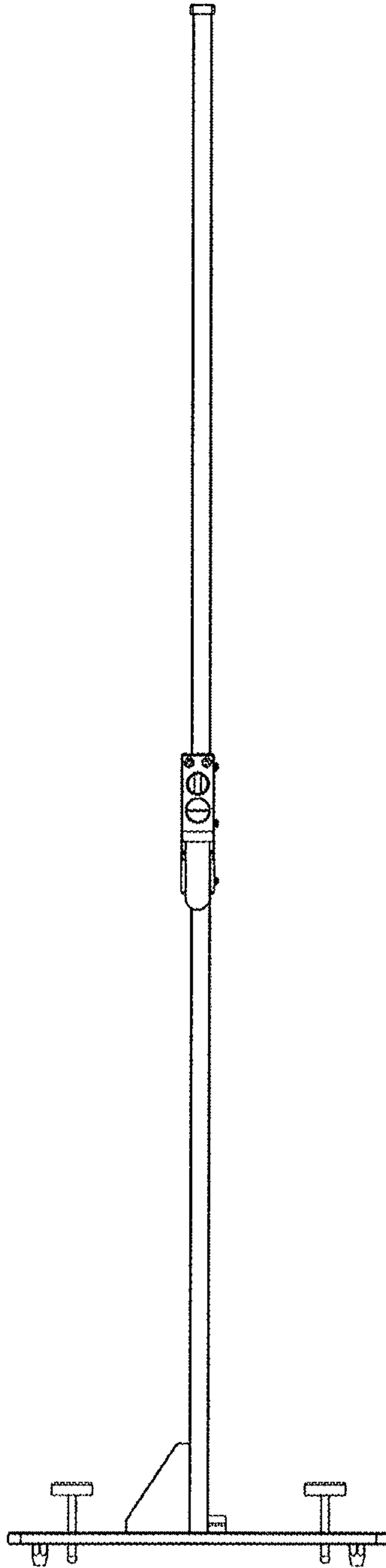


FIG.3

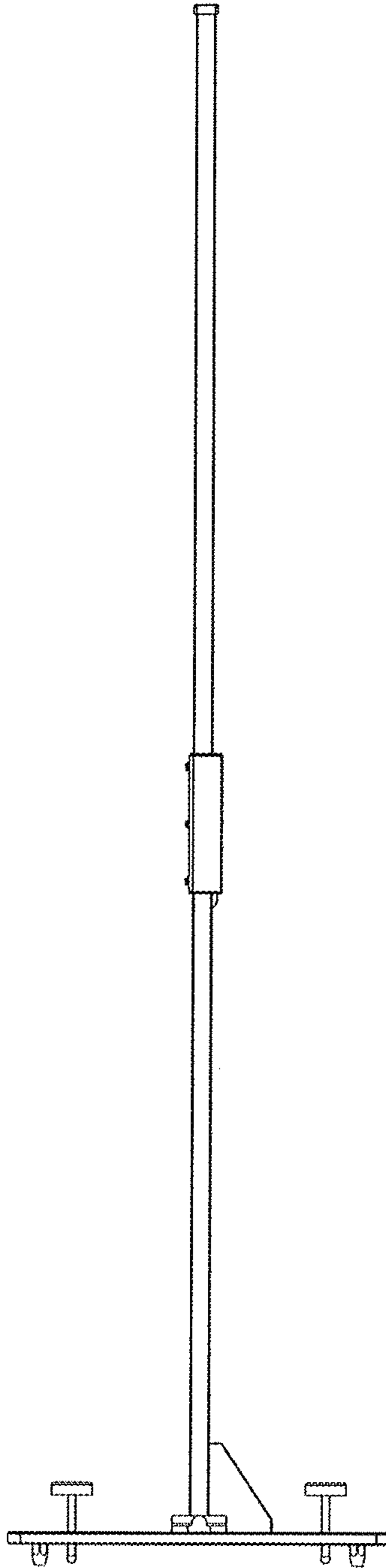


FIG.4

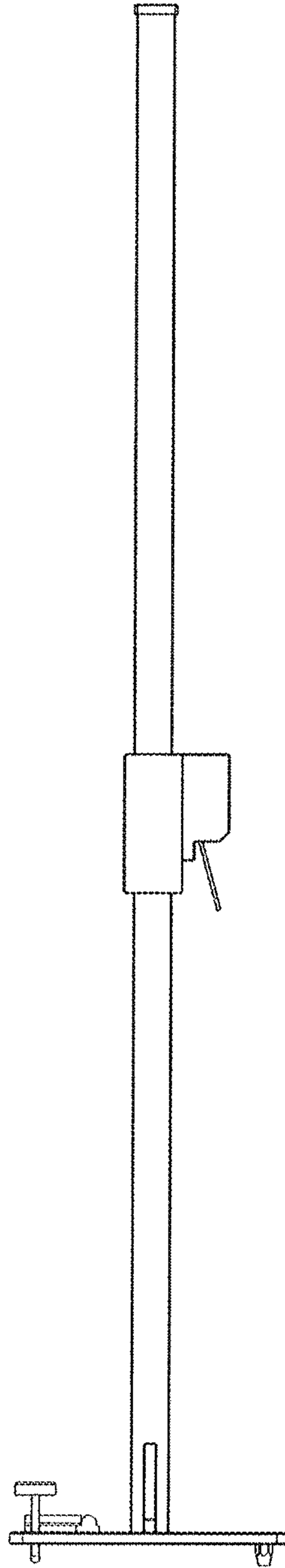


FIG.5

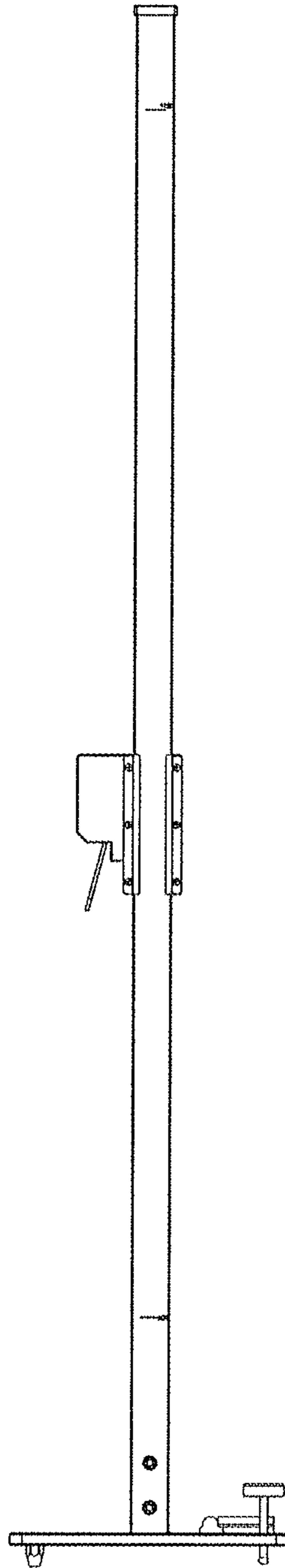


FIG.6

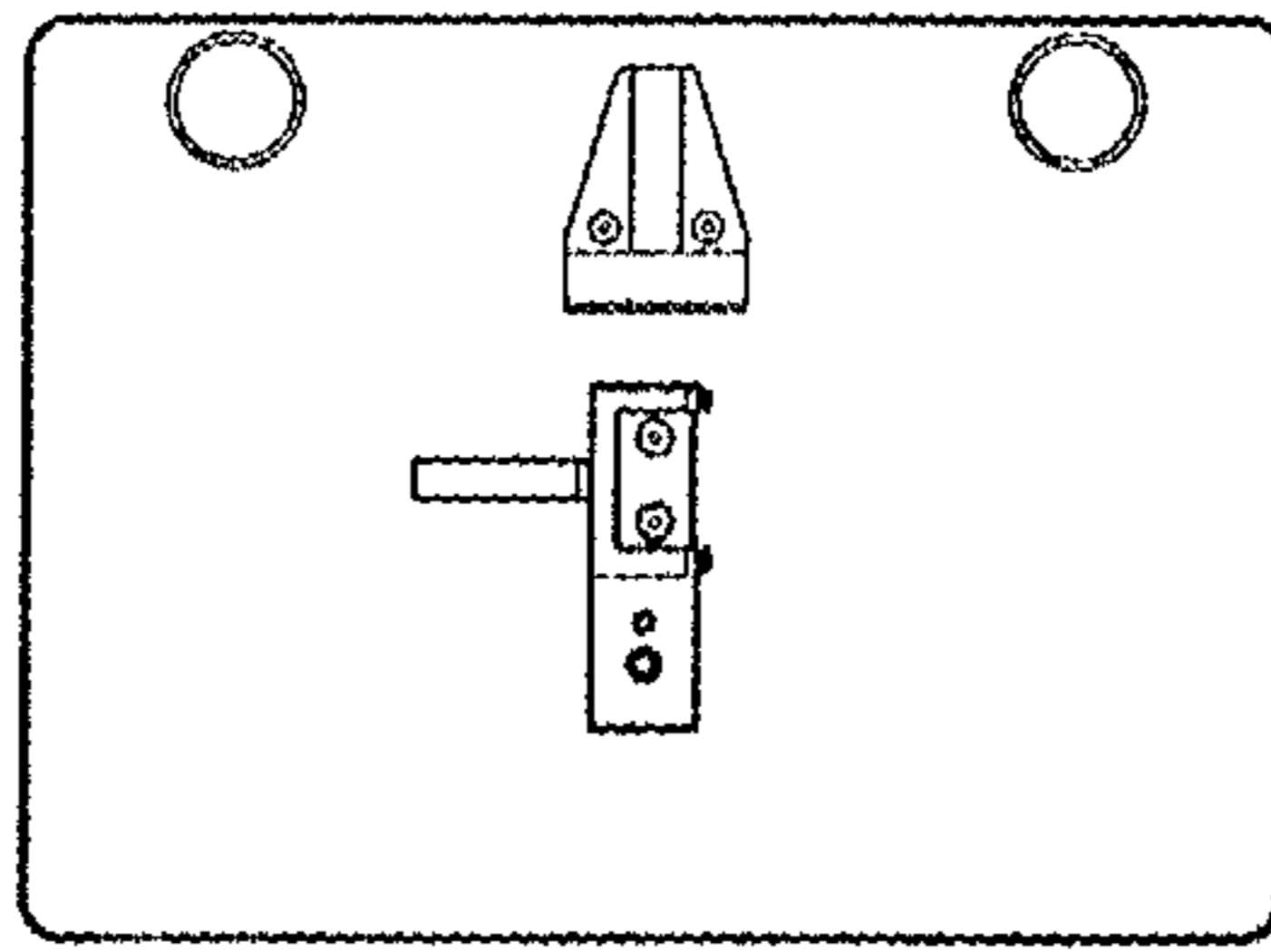


FIG.7

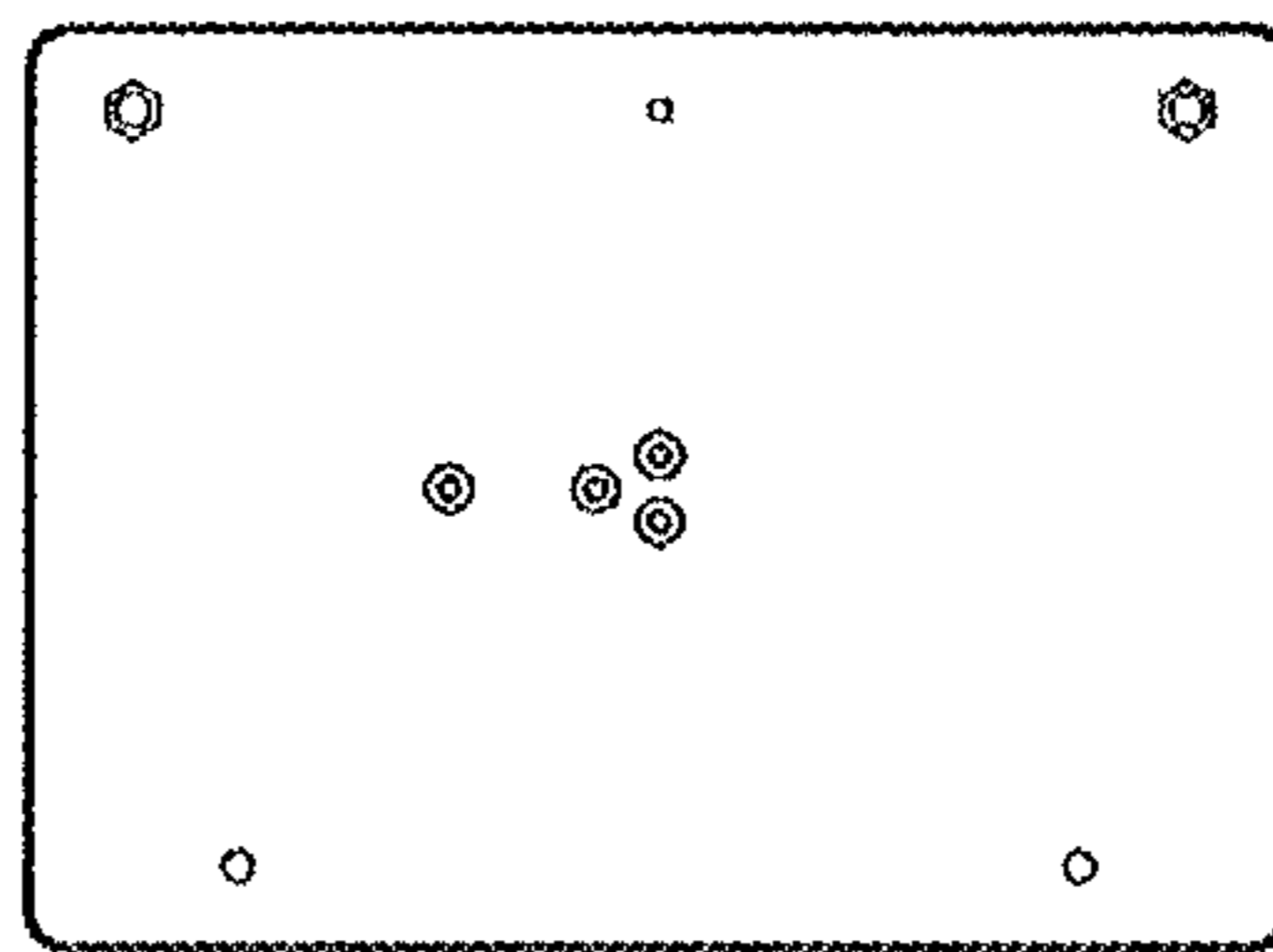


FIG.8