



US00D881050S

(12) **United States Design Patent**
Wang

(10) **Patent No.:** **US D881,050 S**

(45) **Date of Patent:** **** Apr. 14, 2020**

(54) **SPORT VELOCIMETER**

(71) Applicant: **Haiping Wang**, Jiangxi (CN)

(72) Inventor: **Haiping Wang**, Jiangxi (CN)

(**) Term: **15 Years**

(21) Appl. No.: **29/716,048**

(22) Filed: **Dec. 6, 2019**

(51) **LOC (12) Cl.** **10-04**

(52) **U.S. Cl.**
USPC **D10/98**

(58) **Field of Classification Search**

USPC D10/98

CPC . A63B 2220/00; A63B 69/3658; G01S 7/497;

G01S 7/4811; G01S 7/481; G01S 7/4812;

G01S 7/4813; G01S 17/58; G01P 3/366;

G01P 3/64; G01P 3/66; G01P 3/665;

G01P 3/68; G01P 3/685; G01C 19/56

See application file for complete search history.

(56) **References Cited**

U.S. PATENT DOCUMENTS

D327,028 S * 6/1992 Arroyo D10/98

D677,588 S 3/2013 Dede

* cited by examiner

Primary Examiner — Antoine Duval Davis

(74) *Attorney, Agent, or Firm* — Jie Yang; ZanIP

(57) **CLAIM**

The ornamental design for a sport velocimeter, as shown and described.

DESCRIPTION

FIG. 1 is a rear and top perspective view of a sport velocimeter, showing my new design;

FIG. 2 is a front and bottom perspective view thereof;

FIG. 3 is a front elevational view thereof;

FIG. 4 is a rear elevational view thereof;

FIG. 5 is a left side elevational view thereof;

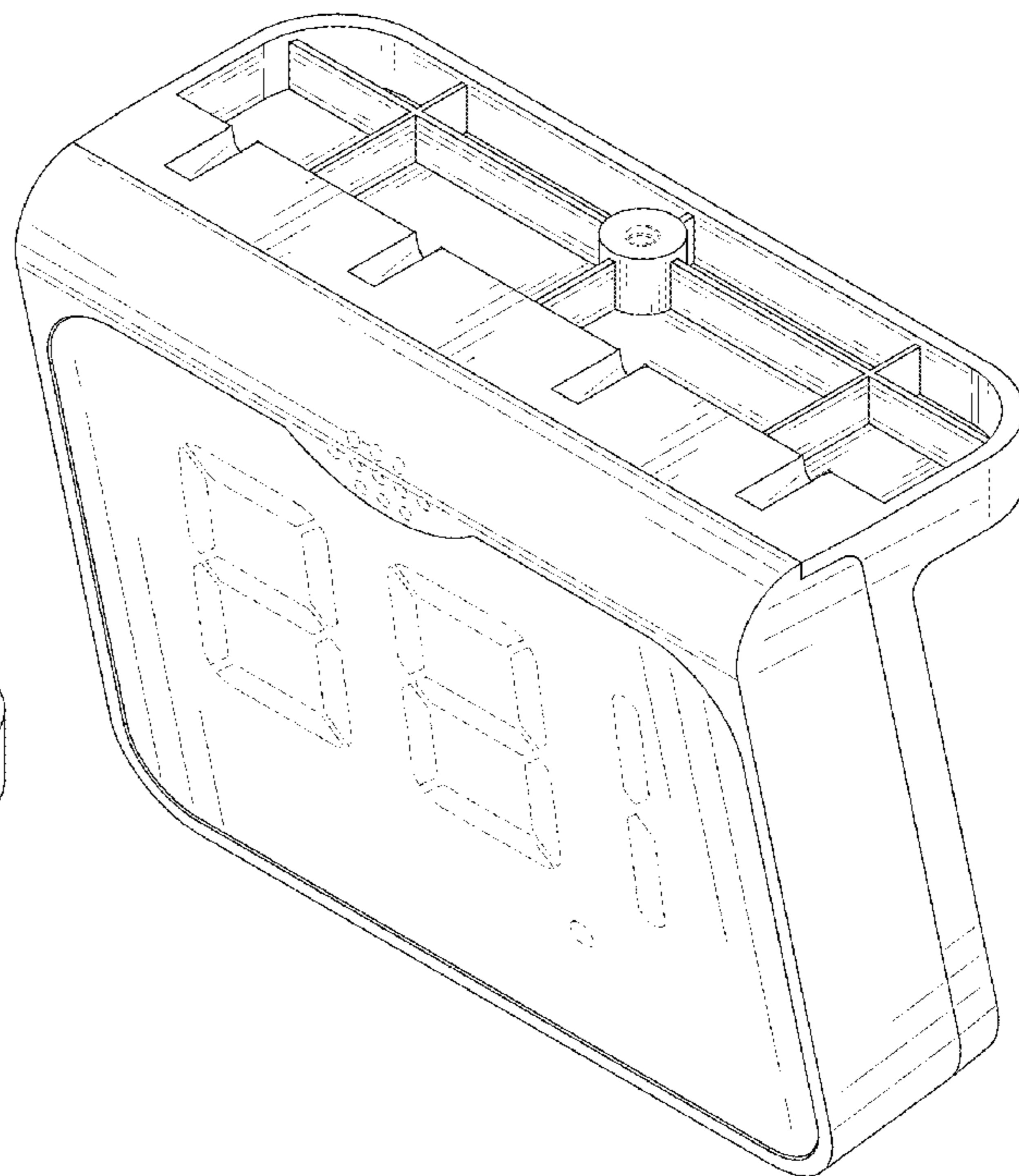
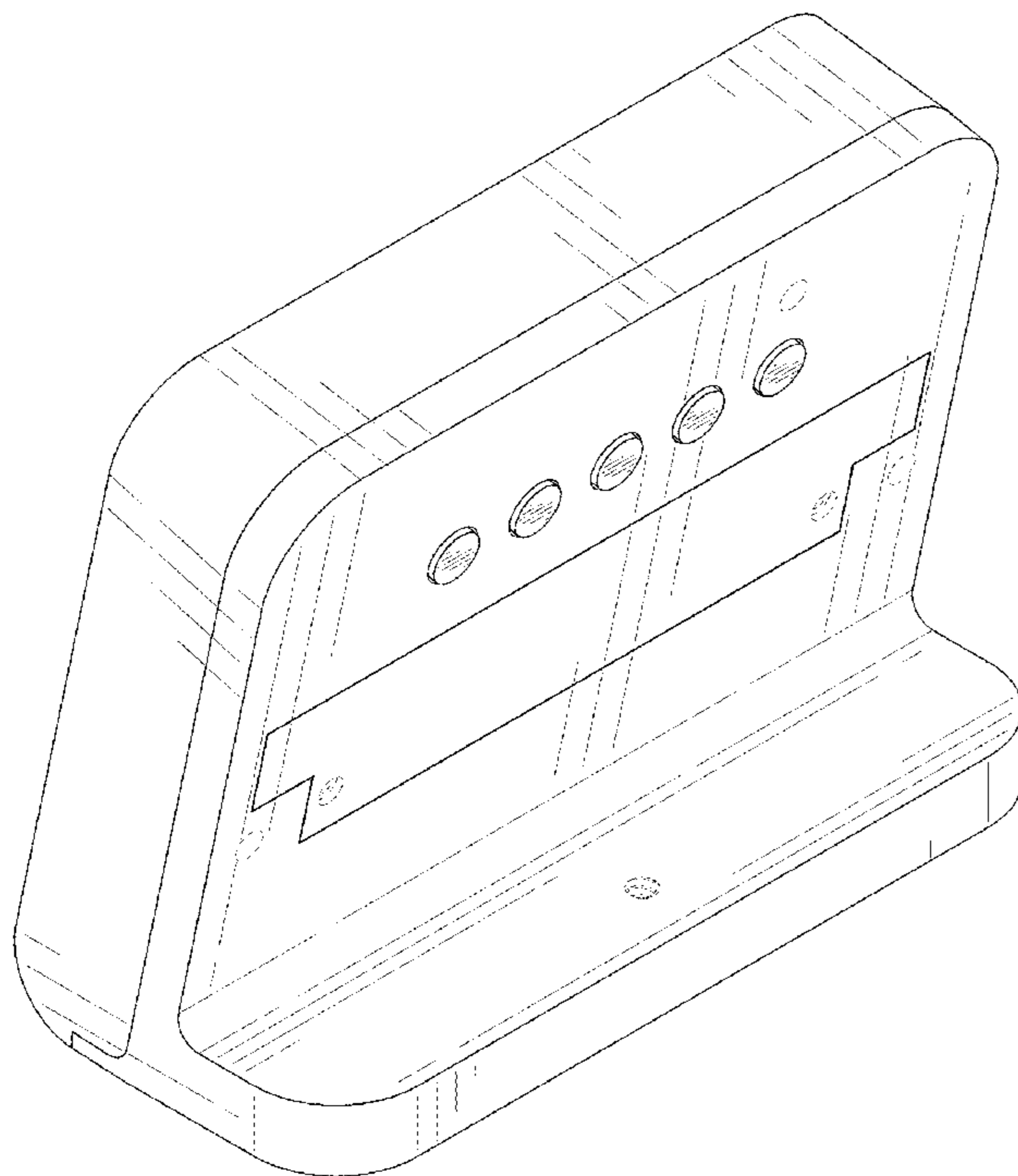
FIG. 6 is a right side elevational view thereof;

FIG. 7 is a top plan view thereof; and,

FIG. 8 is a bottom plan view thereof.

The broken lines in the figures illustrate portions of the sport velocimeter that form no part of the claimed design.

1 Claim, 8 Drawing Sheets



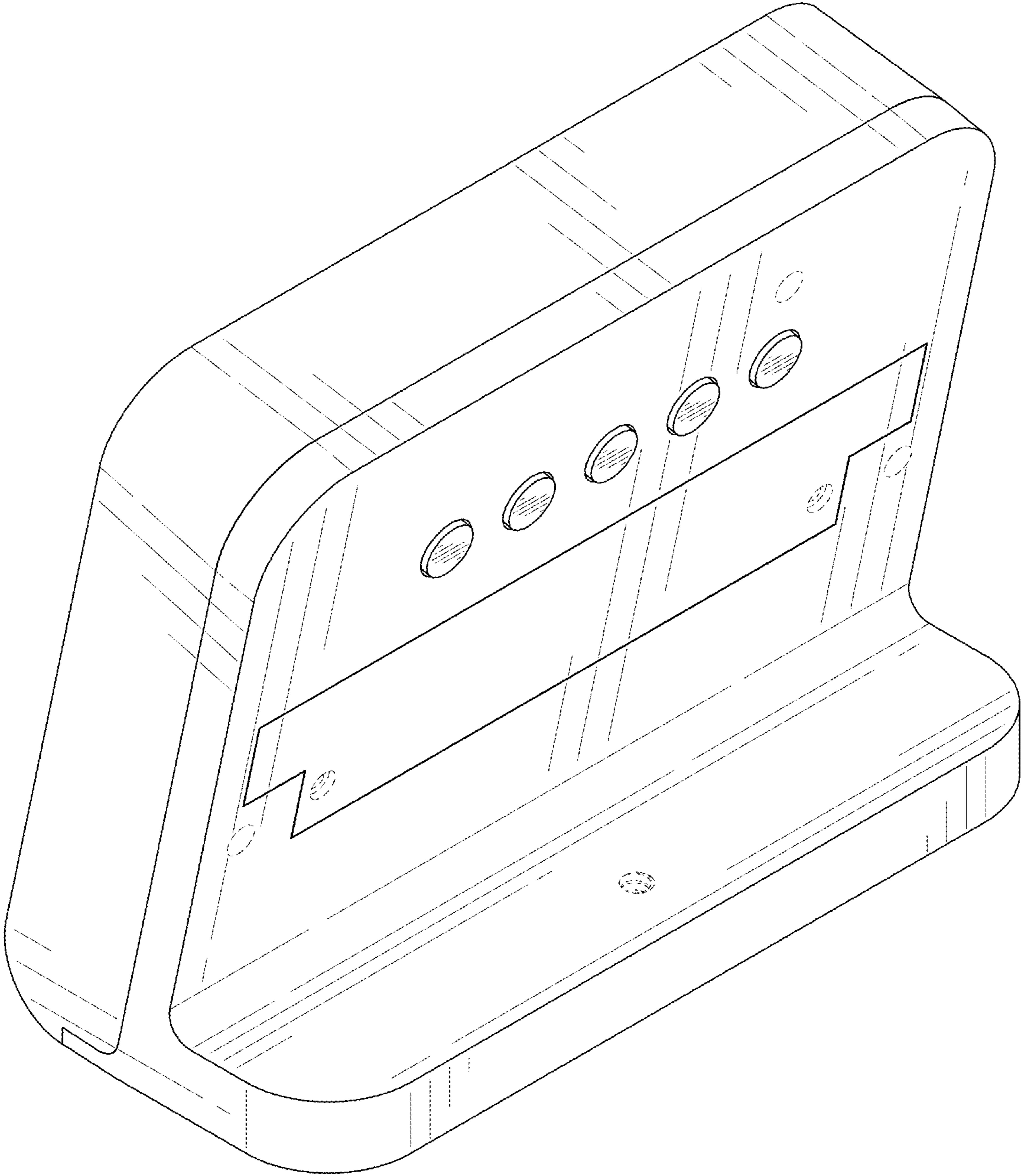


FIG. 1

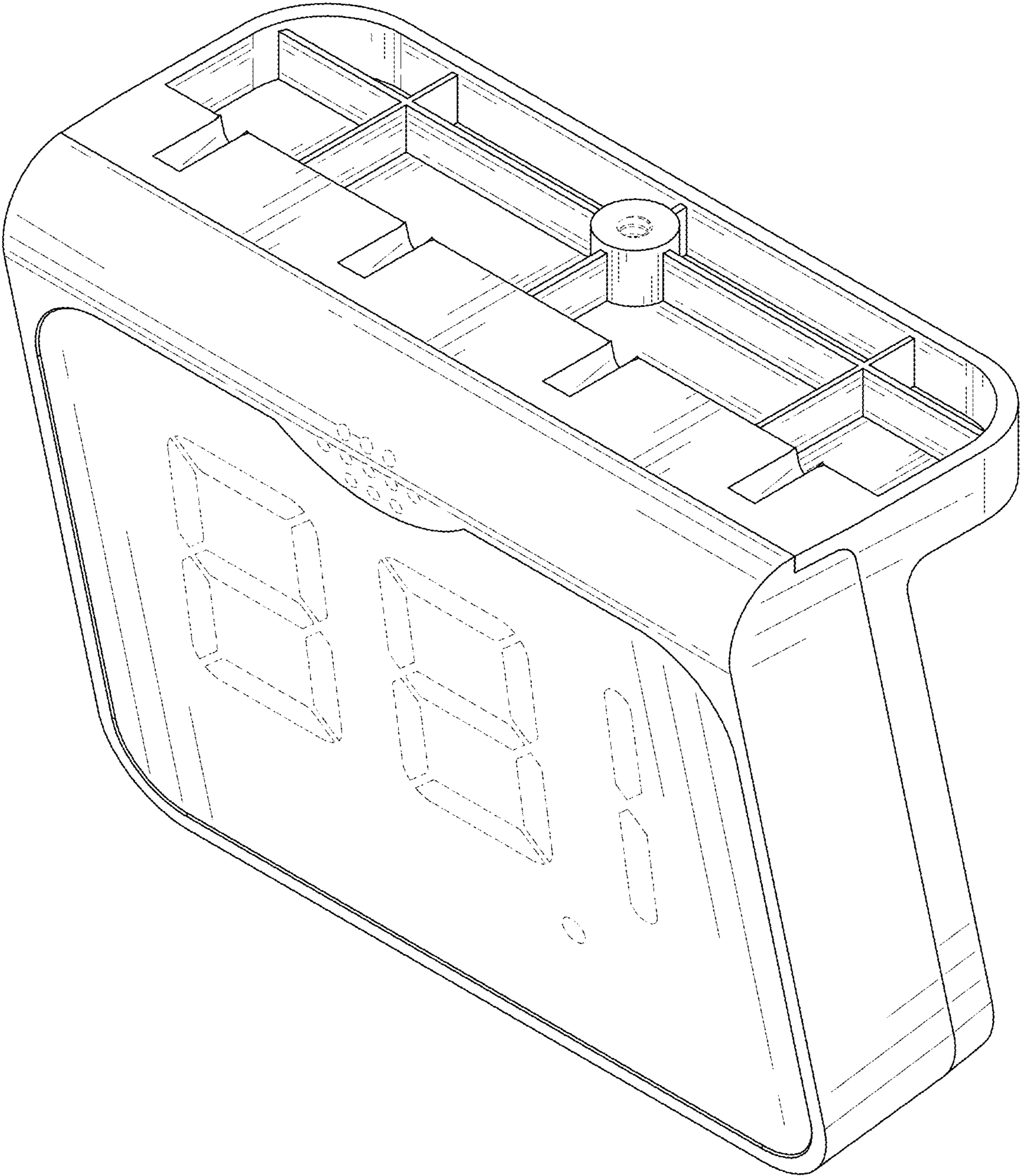


FIG. 2

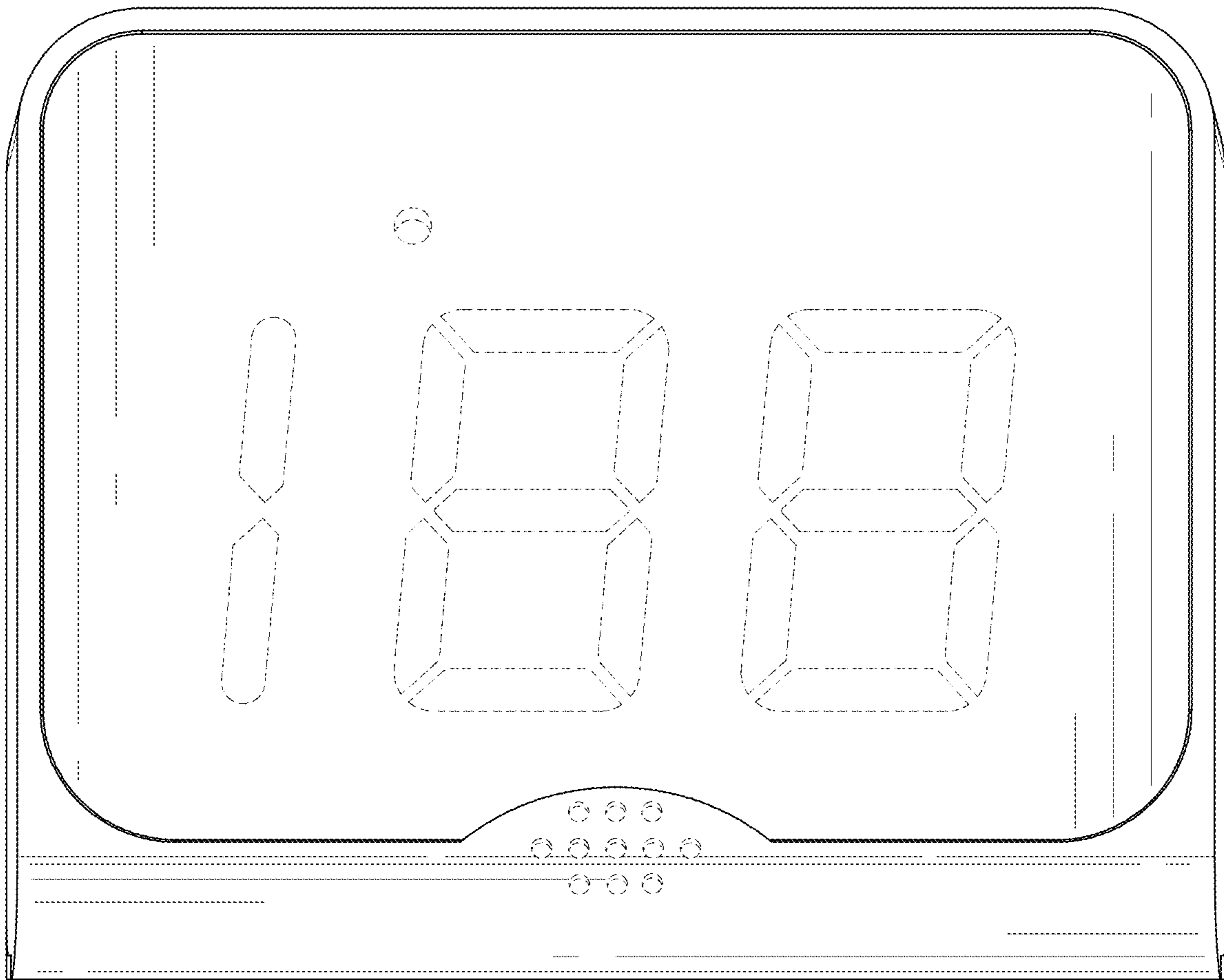


FIG. 3

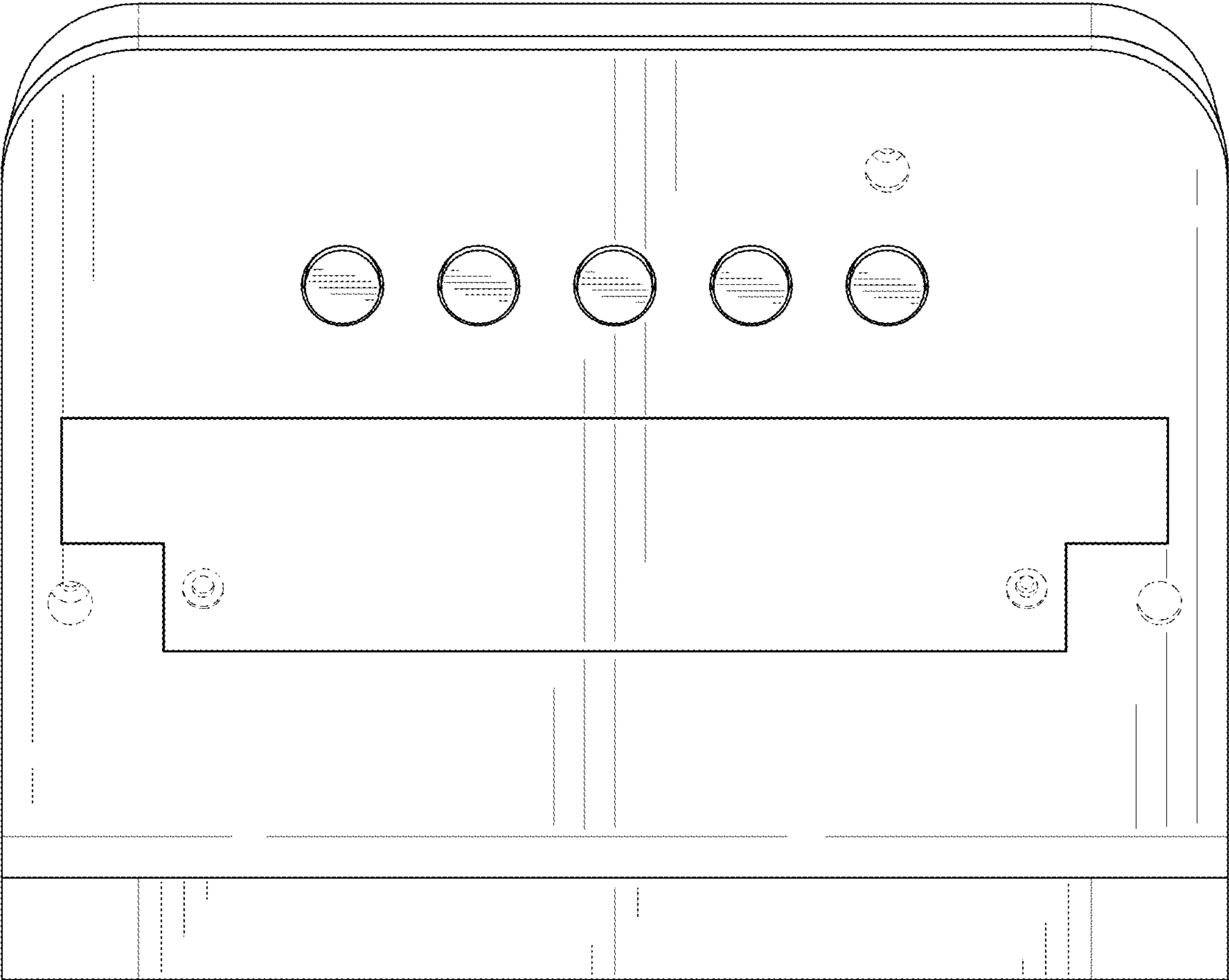


FIG. 4

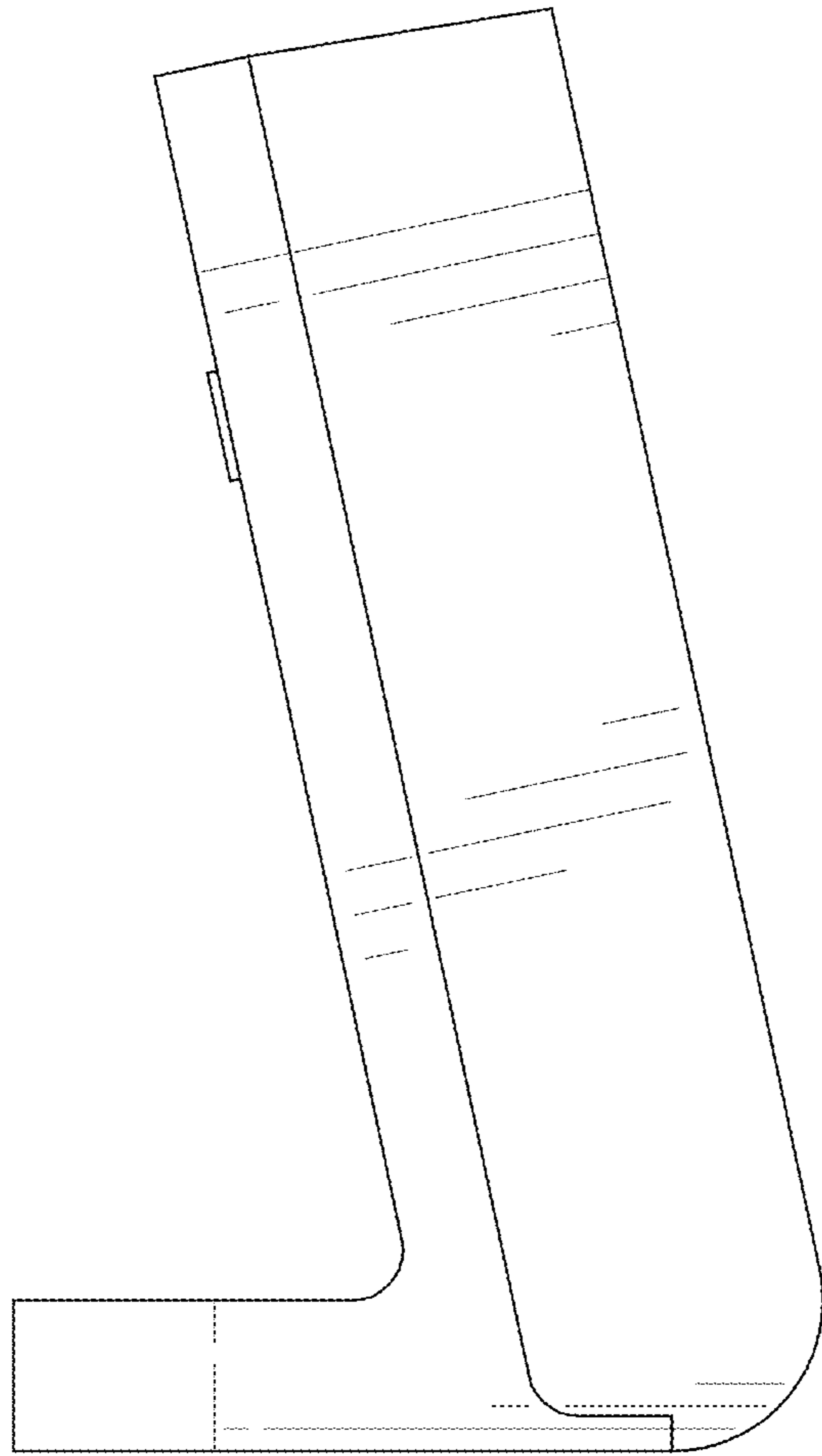


FIG. 5

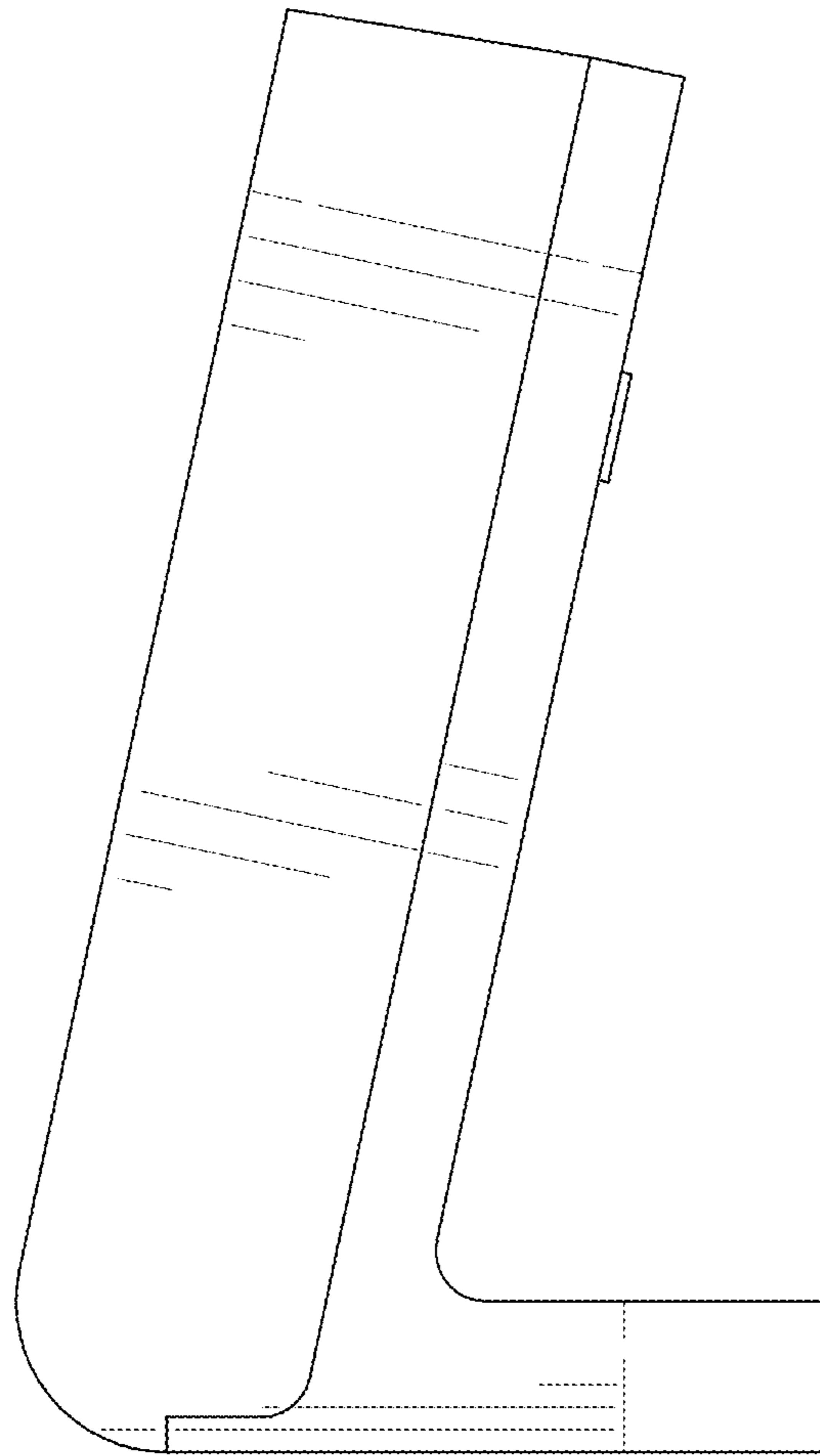


FIG. 6

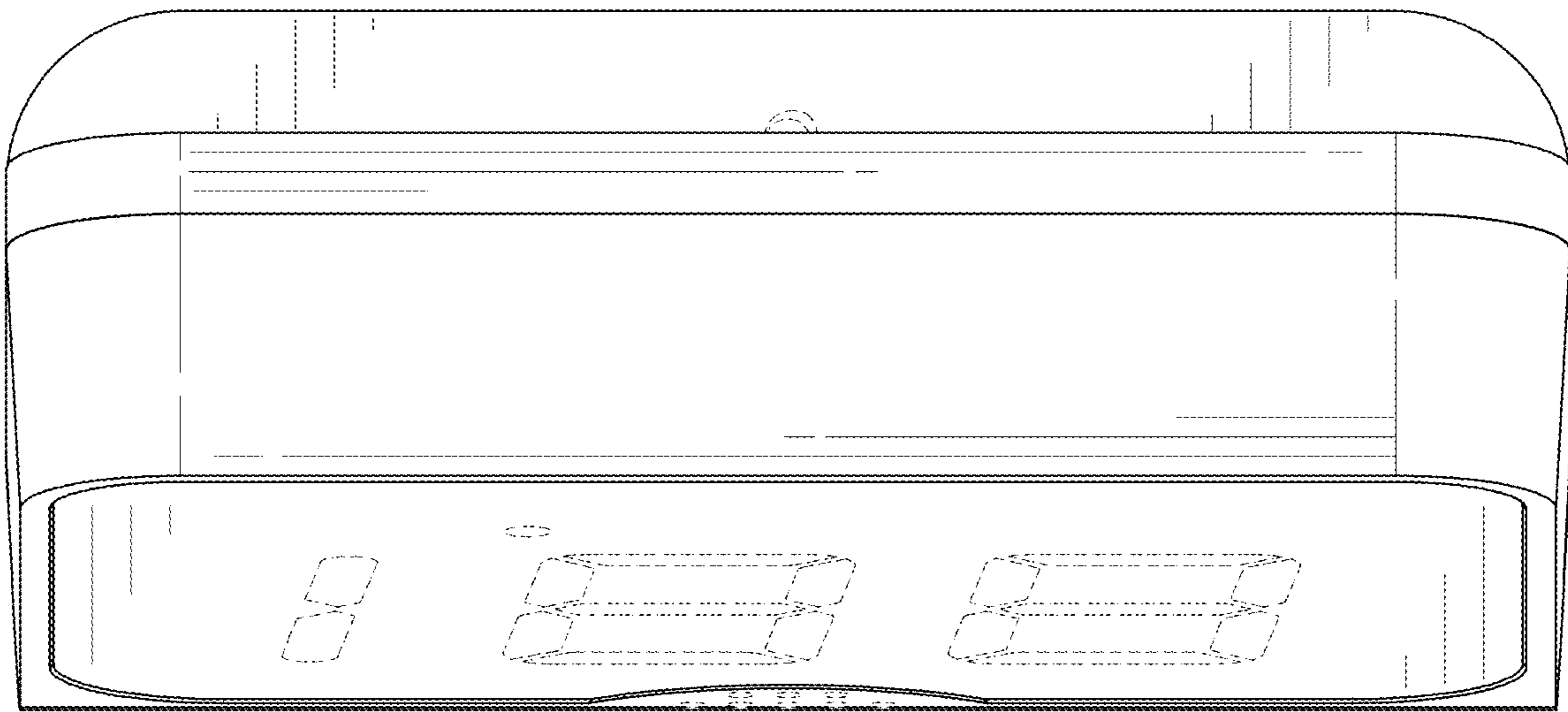


FIG. 7

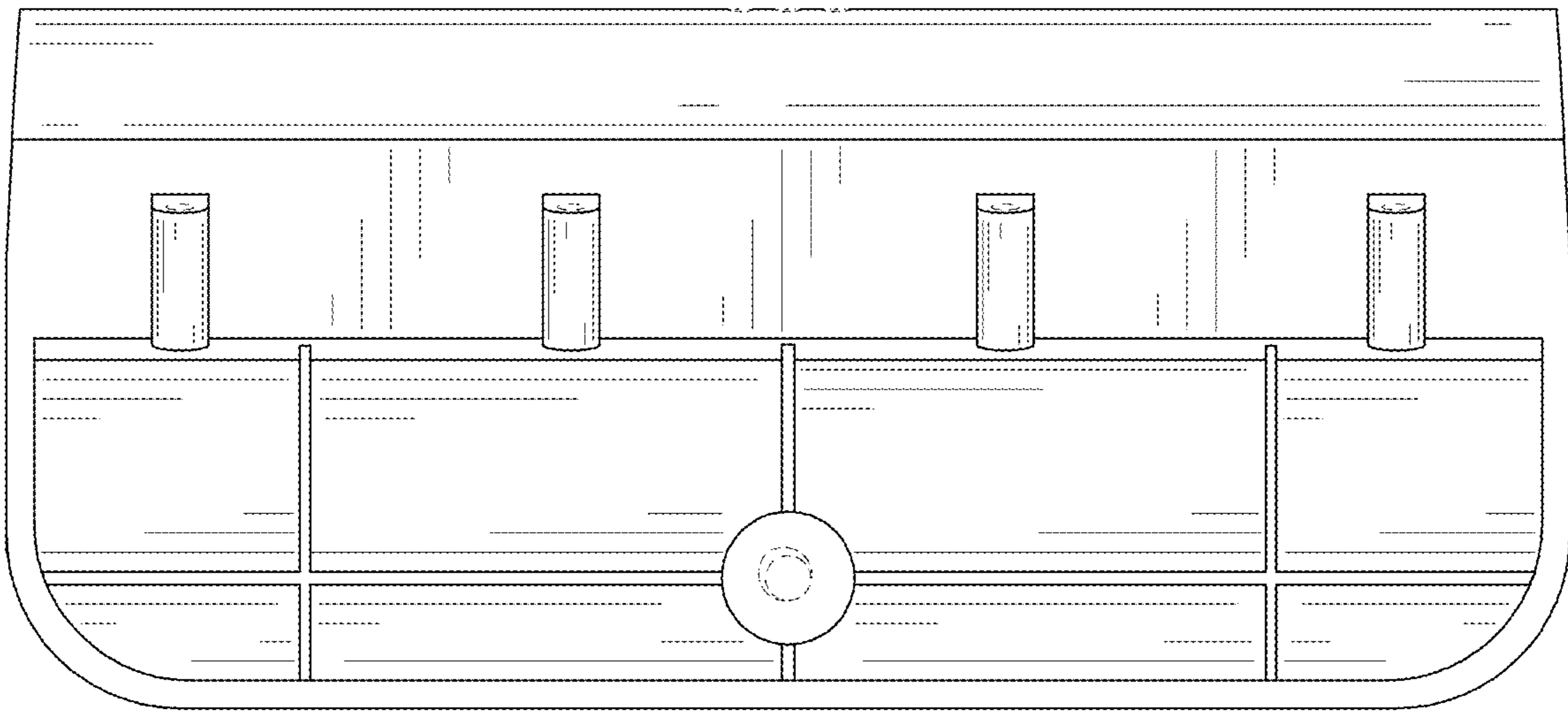


FIG. 8