



US00D881049S

(12) **United States Design Patent**
Zhu

(10) **Patent No.:** **US D881,049 S**
(45) **Date of Patent:** **** Apr. 14, 2020**

(54) **COMBUSTIBLE GAS DETECTOR**
(71) Applicant: **Mucheng Zhu**, Shenzhen (CN)
(72) Inventor: **Mucheng Zhu**, Shenzhen (CN)
(**) Term: **15 Years**
(21) Appl. No.: **29/671,816**
(22) Filed: **Nov. 29, 2018**
(30) **Foreign Application Priority Data**

Aug. 24, 2018 (CN) 2018 3 0474631

(51) **LOC (12) Cl.** **10-04**

(52) **U.S. Cl.**
USPC **D10/78; D10/81**

(58) **Field of Classification Search**
USPC D10/78, 81
CPC G01N 33/004; G01N 33/009; G01N
33/005; G01N 33/0031; G01N 33/0047;
G08B 3/10; G08B 25/10; G08B 17/10;
G08B 21/16; G08B 21/14; G08B 23/00;
G08B 29/145; G08B 29/183; G08B
17/113

See application file for complete search history.

(56) **References Cited**

U.S. PATENT DOCUMENTS

D386,700 S * 11/1997 Wright D10/78
6,987,459 B2 * 1/2006 Tice G08B 21/16
340/632

D668,568 S * 10/2012 Dunkin G01P 1/023
D10/78
8,760,179 B2 * 6/2014 Kittleson G01N 33/0047
324/693

* cited by examiner

Primary Examiner — Antoine Duval Davis

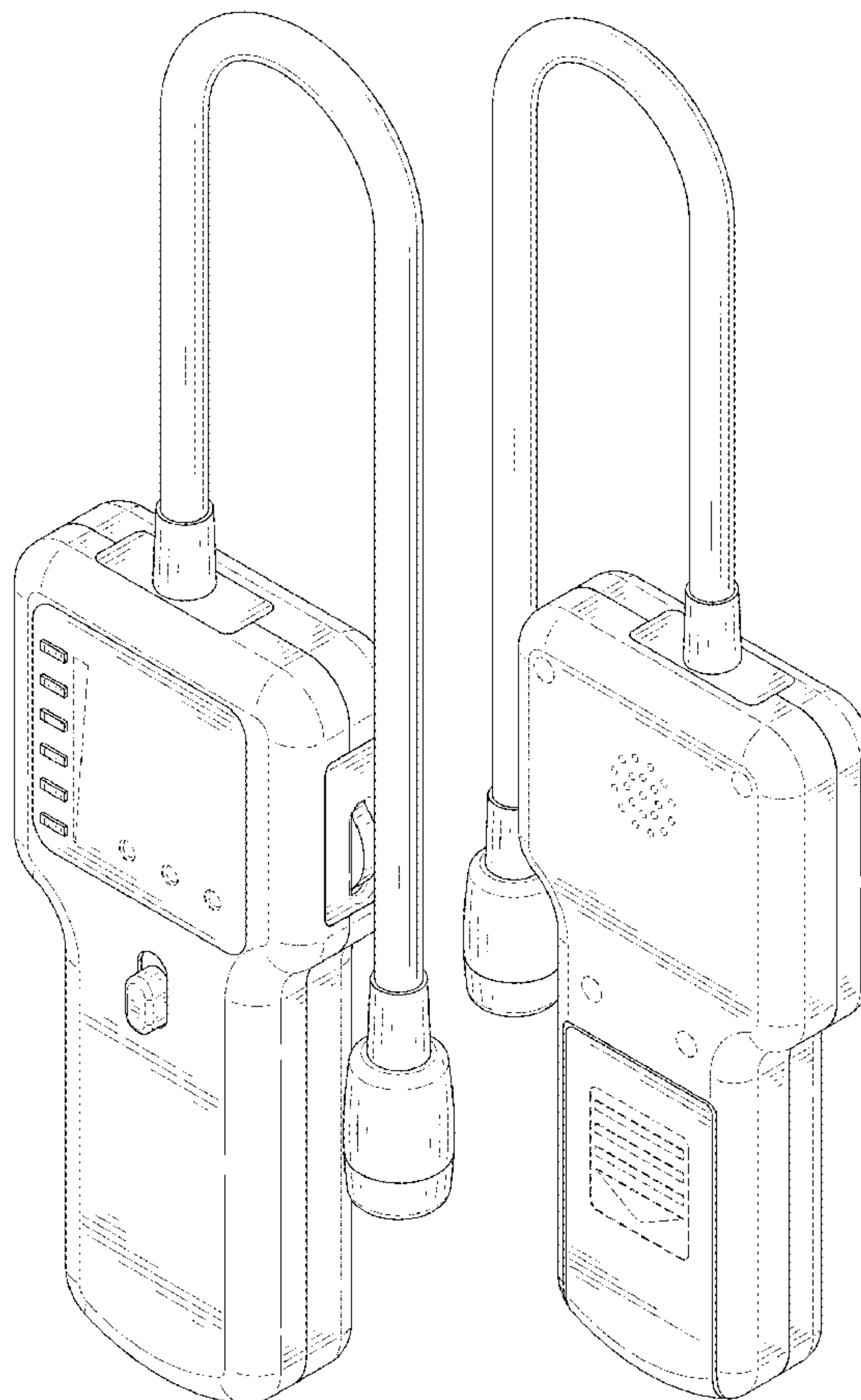
(57) **CLAIM**

The ornamental design for a combustible gas detector, as shown and described.

DESCRIPTION

FIG. 1 is a perspective view of a combustible gas detector showing my new design;
FIG. 2 is another perspective view thereof;
FIG. 3 is a front elevational view thereof;
FIG. 4 is a rear elevational view thereof;
FIG. 5 is a left side elevational view thereof;
FIG. 6 is a right side elevational view thereof;
FIG. 7 is a top plan view thereof; and,
FIG. 8 is a bottom plan view thereof.
The broken lines illustrate portions of the combustible gas detector that form no part of the claimed design.

1 Claim, 8 Drawing Sheets



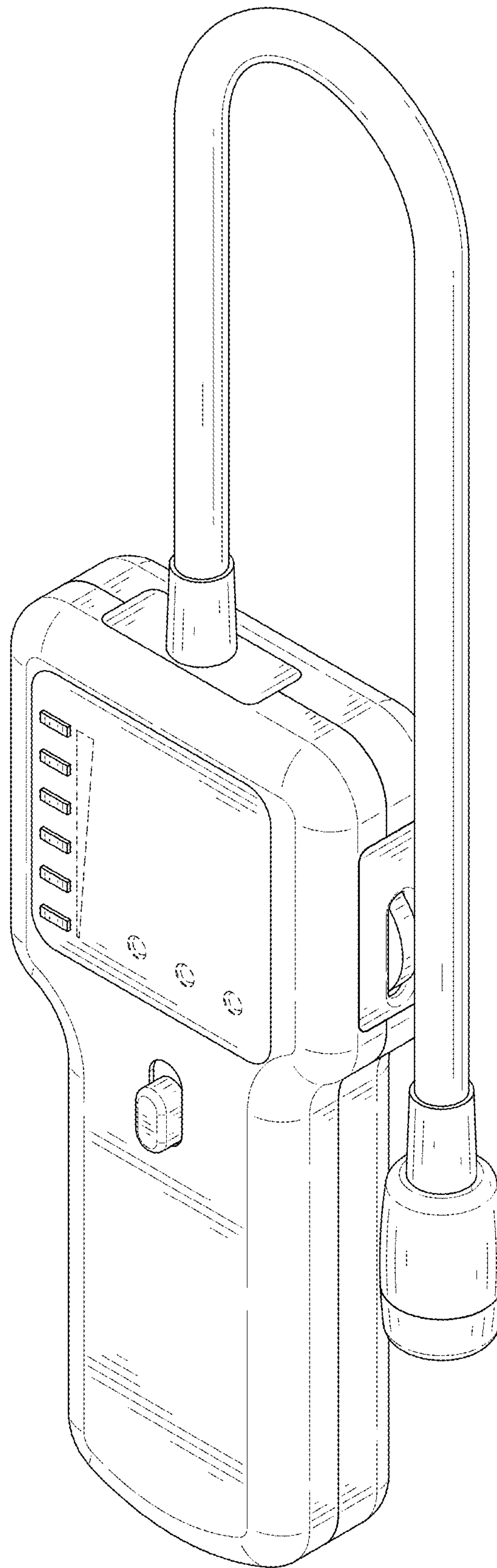


FIG. 1

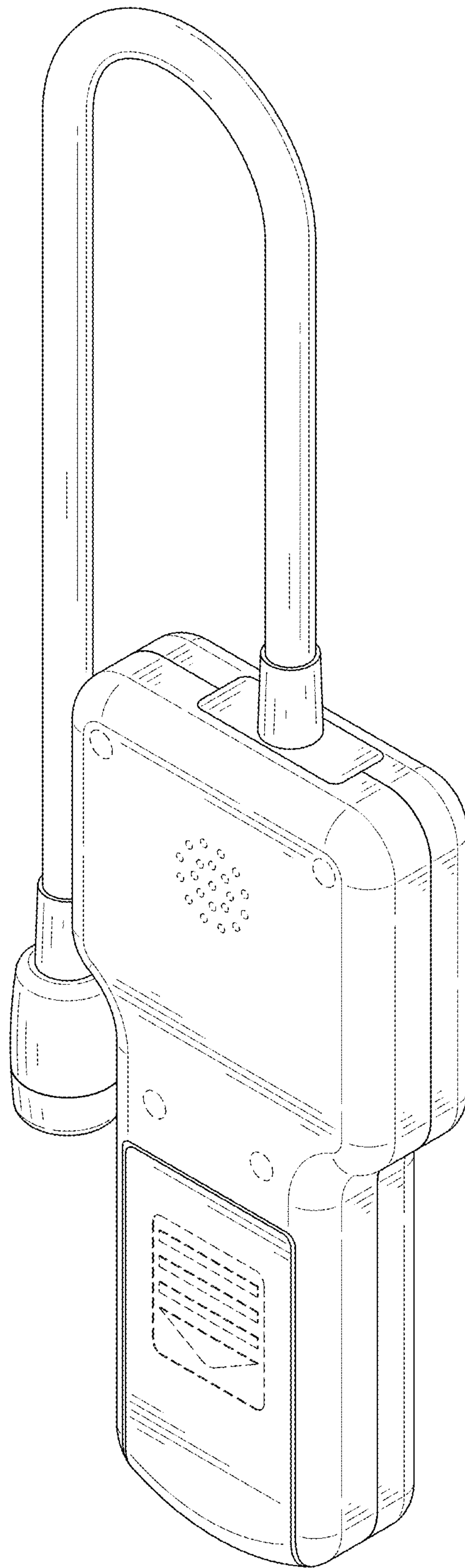


FIG. 2

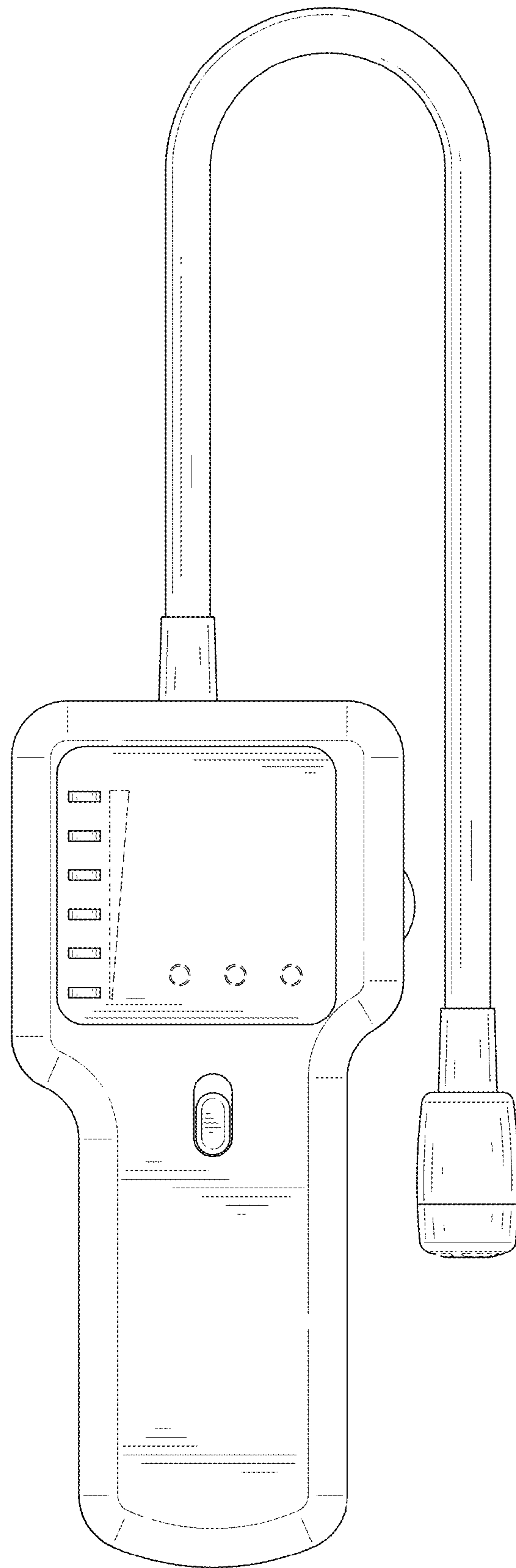


FIG. 3

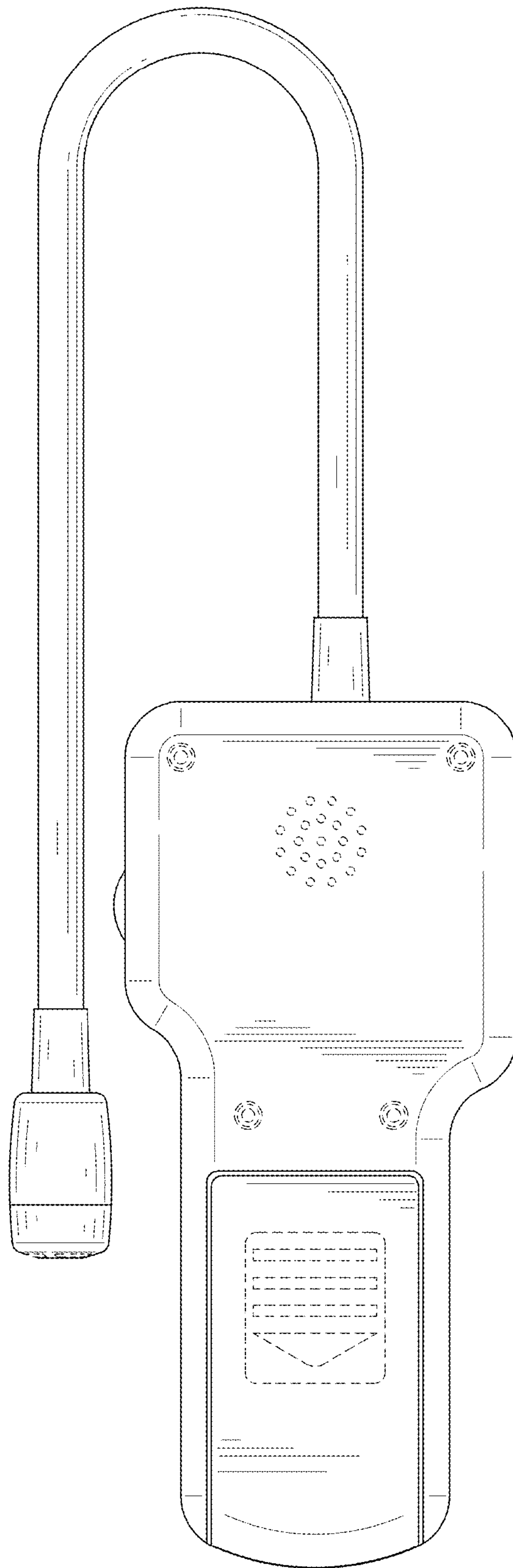


FIG. 4

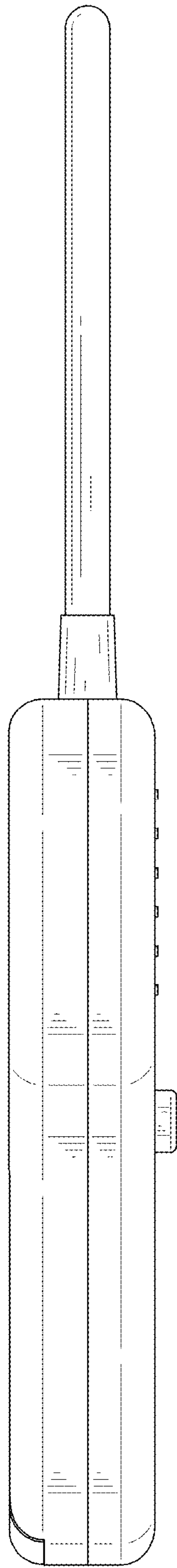


FIG. 5

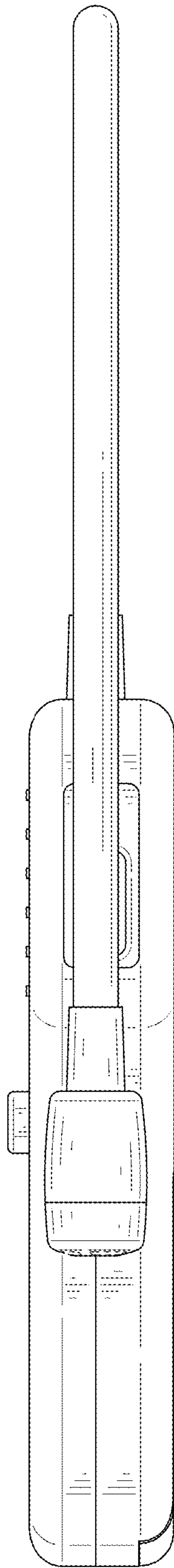


FIG. 6

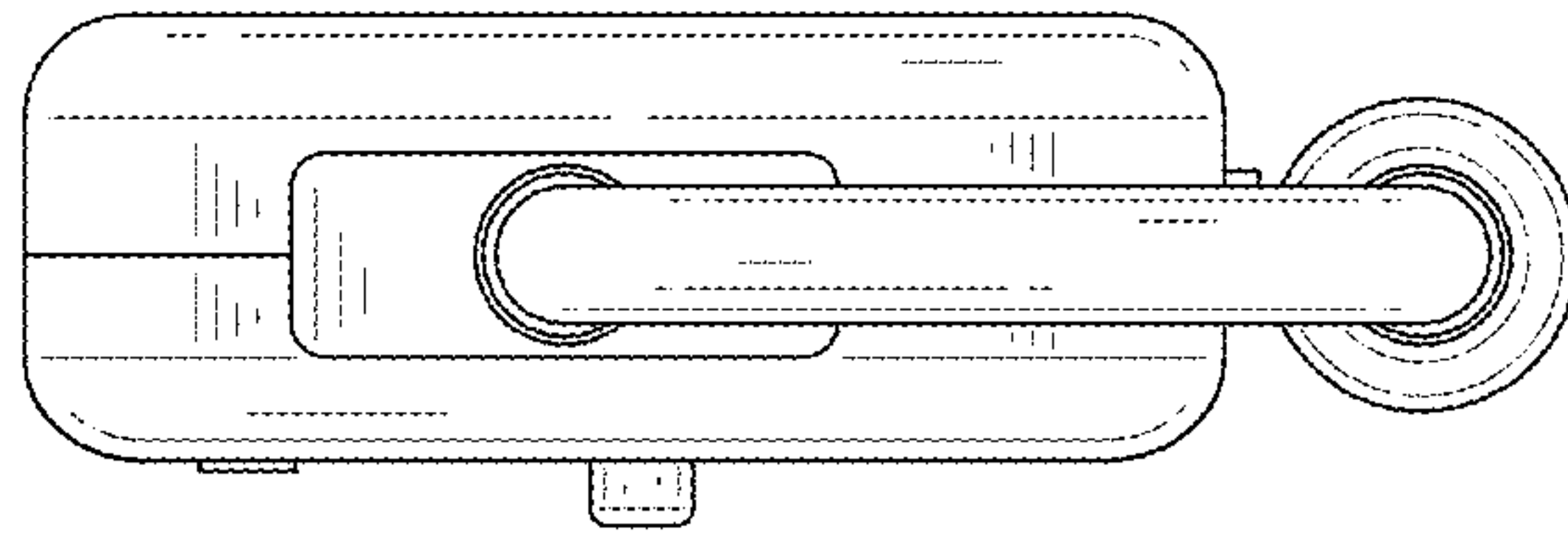


FIG. 7

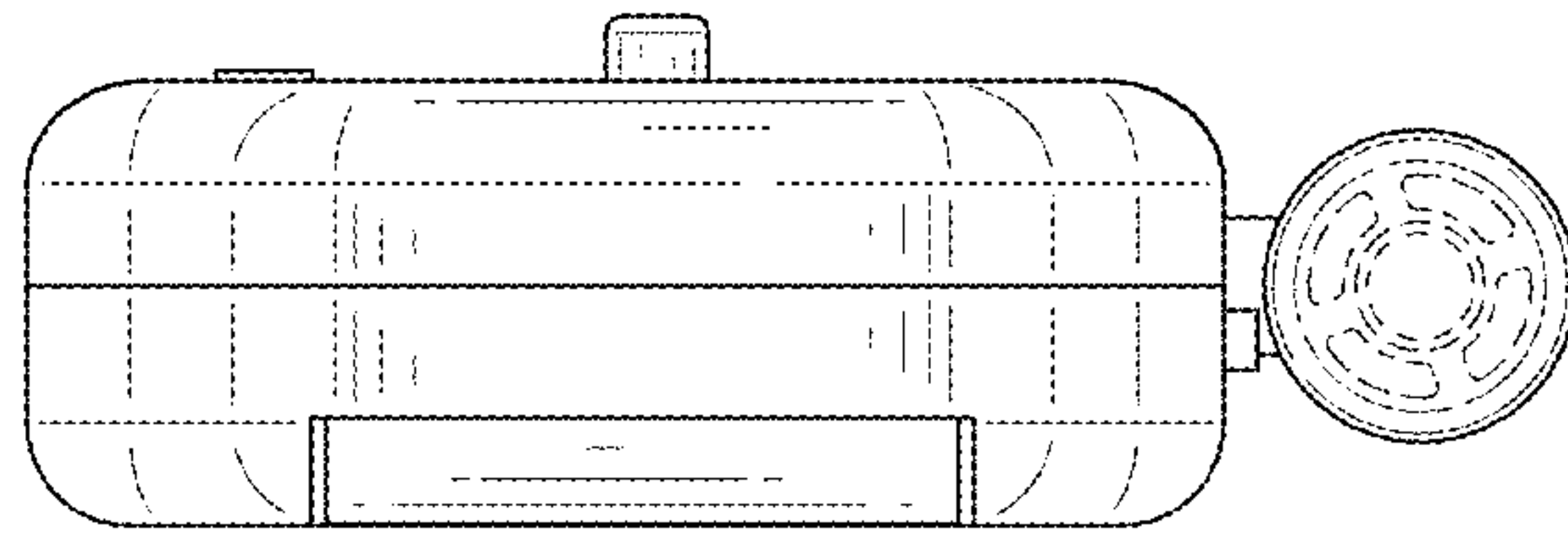


FIG. 8