



US00D881046S

(12) **United States Design Patent**
Shao et al.

(10) **Patent No.:** **US D881,046 S**
(45) **Date of Patent:** **** Apr. 14, 2020**

- (54) **LASER RANGE FINDER**
- (71) Applicant: **Shenzhen Aukeyhi Technology Co., Ltd., Shenzhen (CN)**
- (72) Inventors: **Zelong Shao, Shenzhen (CN); Huahui Zheng, Shenzhen (CN)**
- (**) Term: **15 Years**
- (21) Appl. No.: **29/671,830**
- (22) Filed: **Nov. 30, 2018**
- (51) **LOC (12) Cl.** **10-04**
- (52) **U.S. Cl.**
USPC **D10/70**
- (58) **Field of Classification Search**
USPC D10/70
CPC ... G01C 3/00; G01C 3/02; G01C 3/04; G01C 3/06; G01C 3/08; G01C 3/085; G01C 3/10; G01C 3/12; G01C 3/16; G01C 3/14; G01C 3/18; G01C 3/20; G01C 3/22; G01C 3/24; G01C 3/26; G01C 3/28; G01C 3/30; G01C 3/32; G01C 15/006; G01S 7/4813; G02B 23/16; G02B 23/165

See application file for complete search history.

(56) **References Cited**

U.S. PATENT DOCUMENTS

- 6,137,564 A * 10/2000 Schmidt G01S 7/4811 342/118
- D594,359 S * 6/2009 Aglassinger D10/70
- D594,360 S * 6/2009 Aglassinger D10/70
- D607,352 S * 1/2010 Hackenberg G01S 7/497 D10/70
- D607,353 S * 1/2010 Hackenberg D10/70
- 7,894,043 B2 * 2/2011 Skultety-Betz G01S 7/4811 356/4.01

- D670,582 S * 11/2012 Matuschek G01C 3/08 D10/70
- D673,062 S * 12/2012 Marzynski G01S 7/4811 D10/70
- D692,329 S * 10/2013 Burkandt D10/70
- D692,330 S * 10/2013 Burkandt G01S 7/4811 D10/70
- 8,681,318 B2 * 3/2014 Skultety-Betz G01C 3/08 356/3.01
- D716,160 S * 10/2014 Burkandt D10/78
- D797,583 S * 9/2017 Chou D10/70
- D799,349 S * 10/2017 Mathier D10/70
- D805,412 S * 12/2017 Lu D10/70
- D813,062 S * 3/2018 He D10/70
- 9,971,034 B2 * 5/2018 Gros G01S 17/08
- D838,611 S * 1/2019 Xie D10/78
- D845,154 S * 4/2019 Yu D10/57
- D846,413 S * 4/2019 Wang D10/78
- 10,393,874 B2 * 8/2019 Schmidtke G01S 7/497
- D861,516 S * 10/2019 Rao D10/70

* cited by examiner

Primary Examiner — Antoine Duval Davis

(74) *Attorney, Agent, or Firm* — Jie Yang; ZANIP

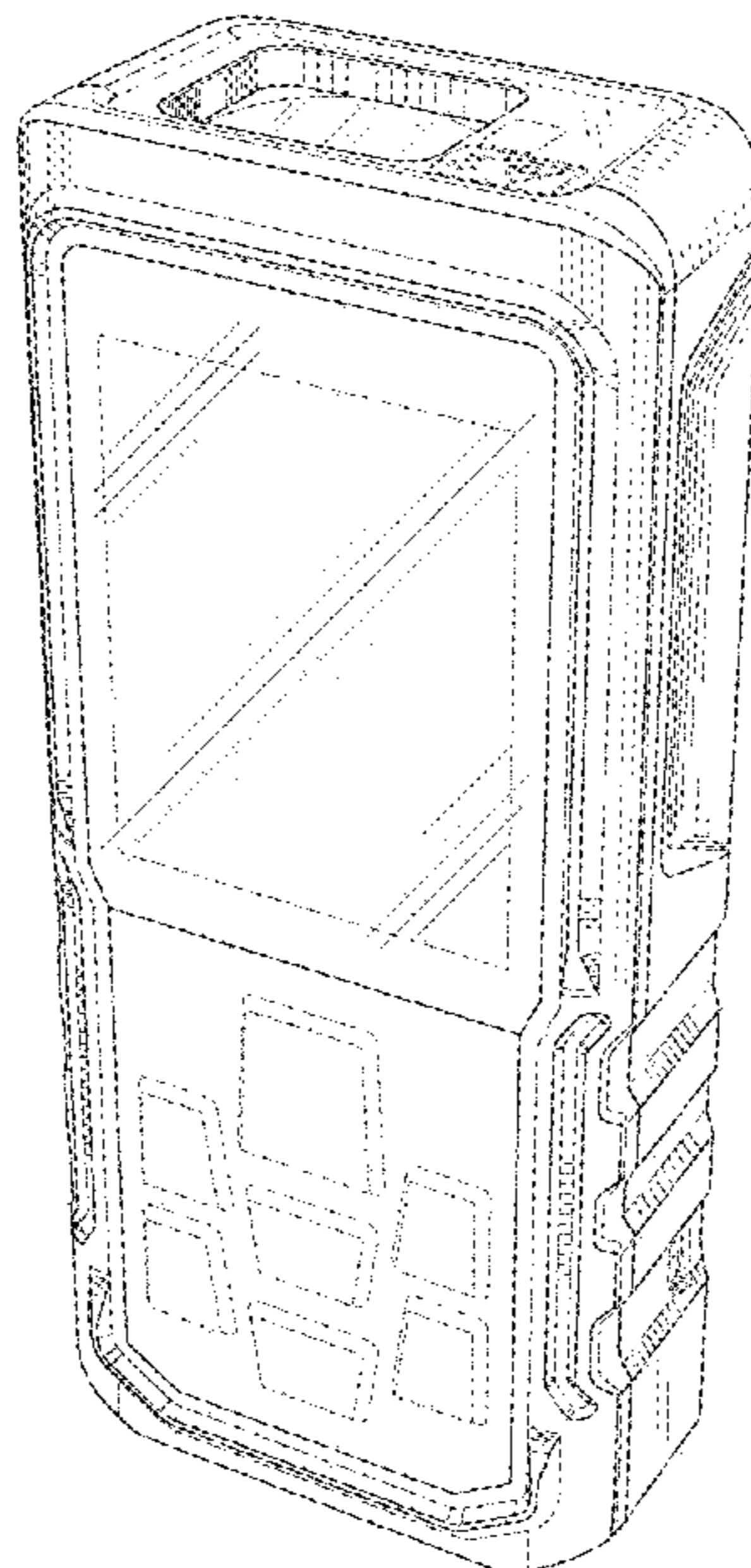
(57) **CLAIM**

The ornamental design for a laser range finder, as shown and described.

DESCRIPTION

FIG. 1 is a front elevational view of the laser range finder showing my new design;
 FIG. 2 is a rear elevational view thereof;
 FIG. 3 is a left side elevational view thereof;
 FIG. 4 is a right side elevational view thereof;
 FIG. 5 is a top plan view thereof;
 FIG. 6 is a bottom plan view thereof; and,
 FIG. 7 is a front, right side perspective view thereof.
 The broken lines illustrate portions of the laser range finder that form no part of the claimed design.

1 Claim, 7 Drawing Sheets



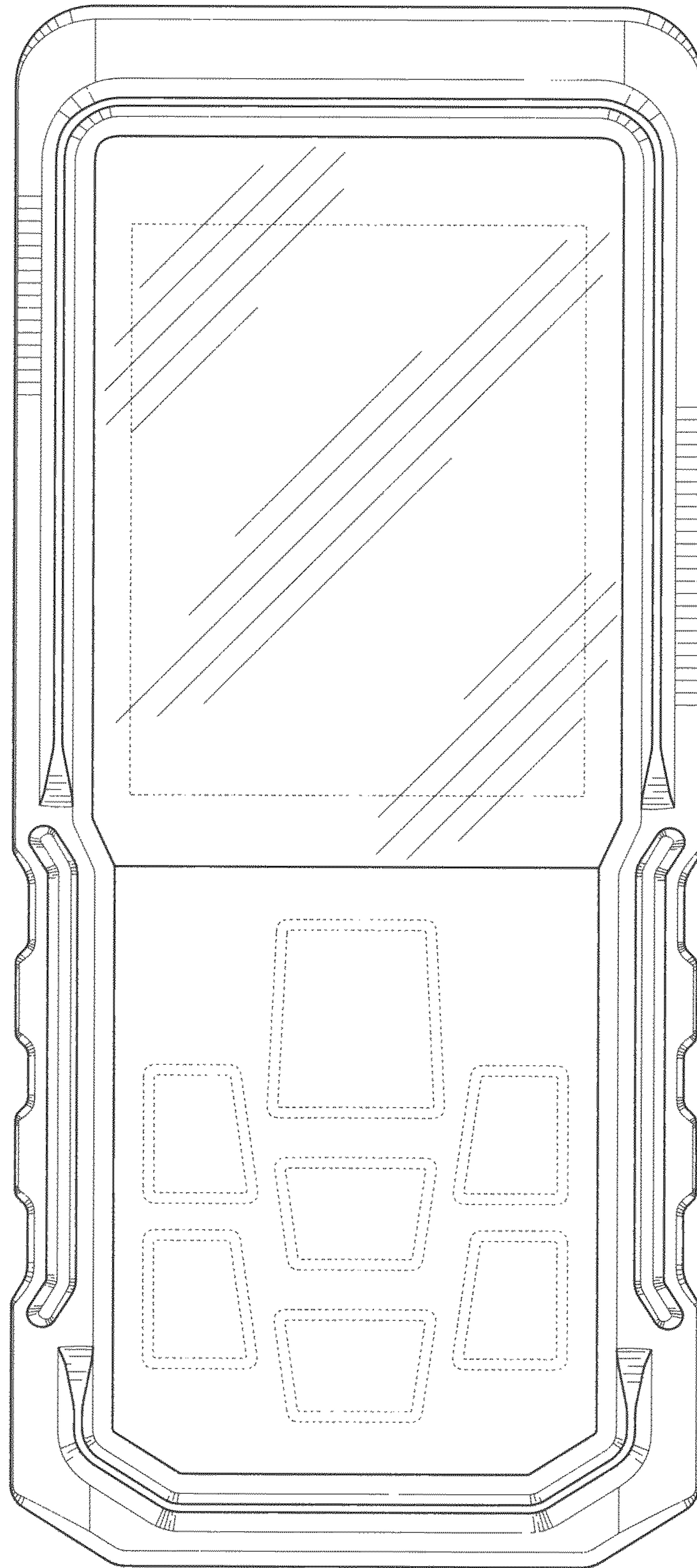


FIG. 1

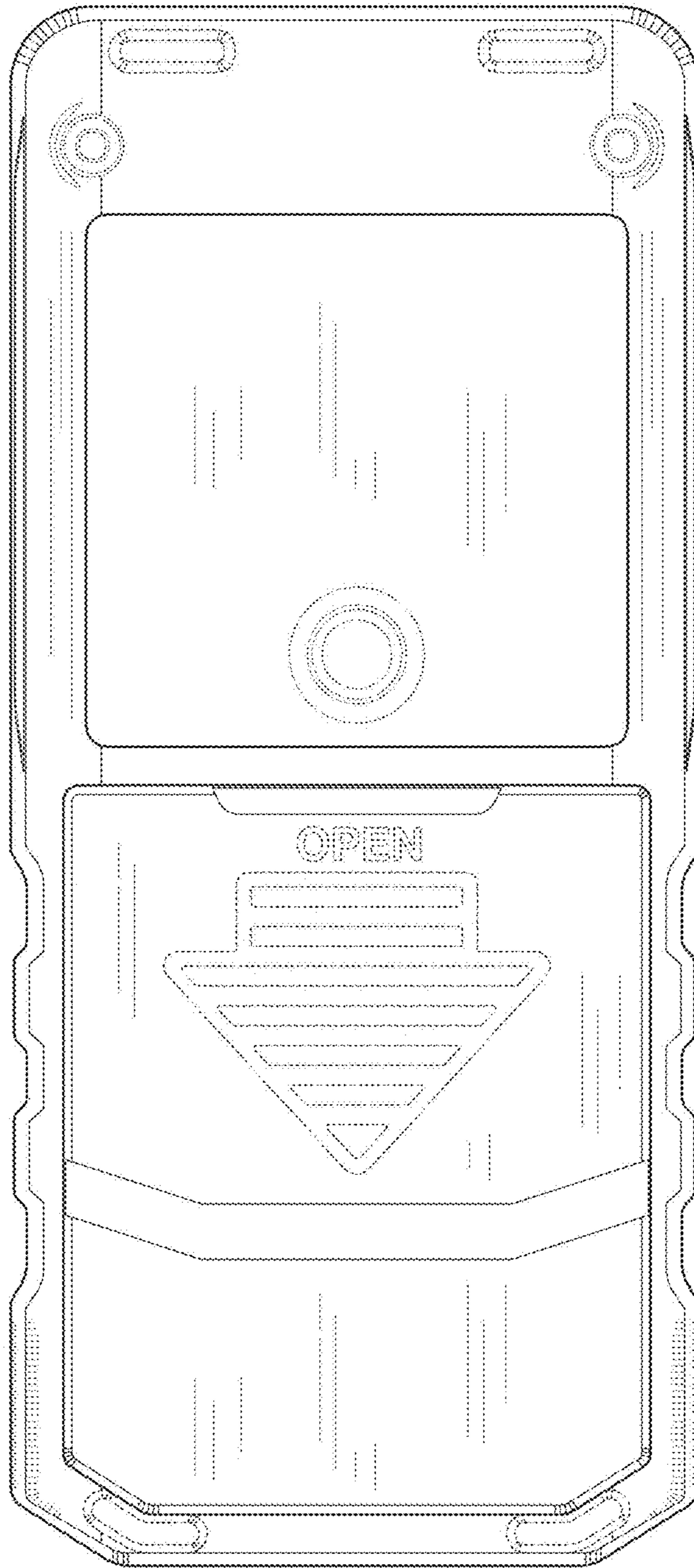


FIG. 2

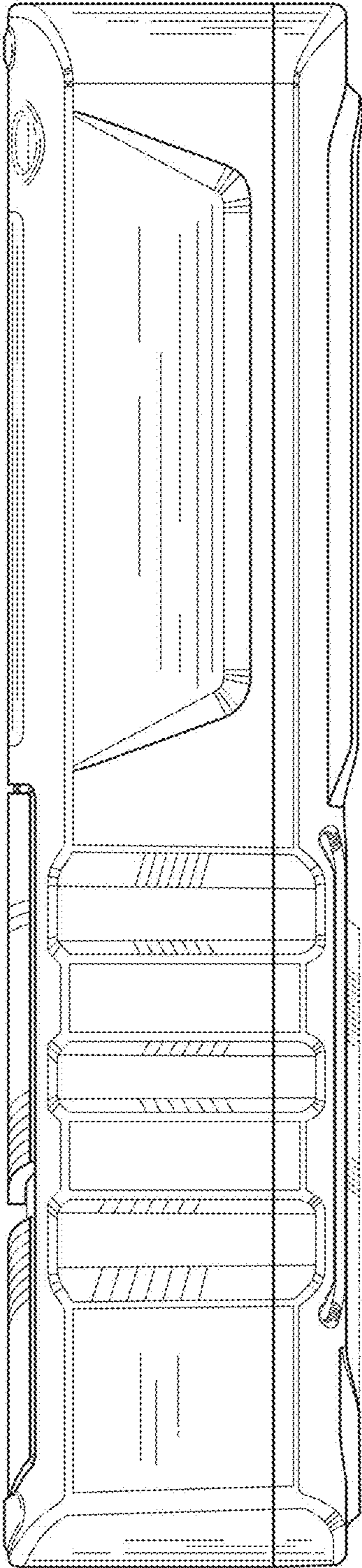


FIG. 3

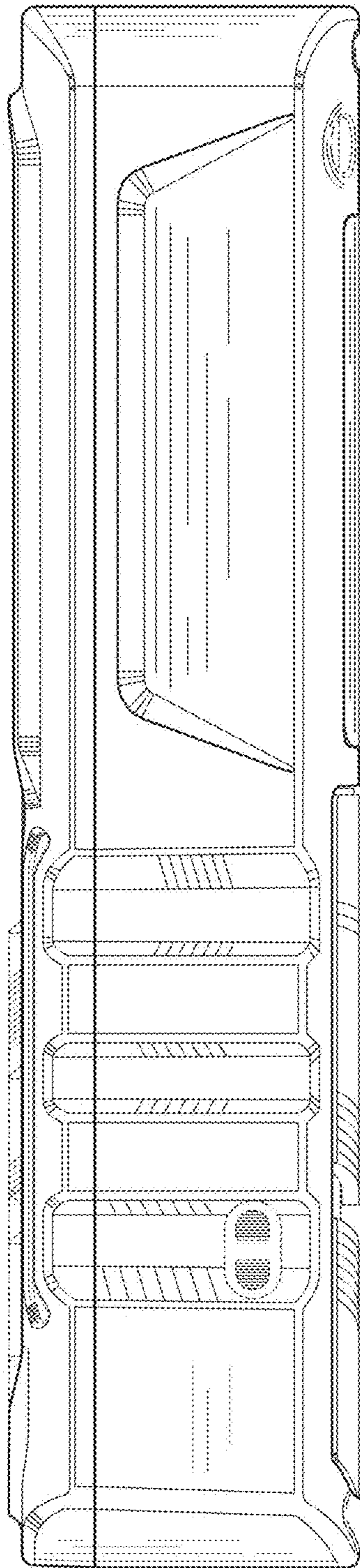


FIG. 4

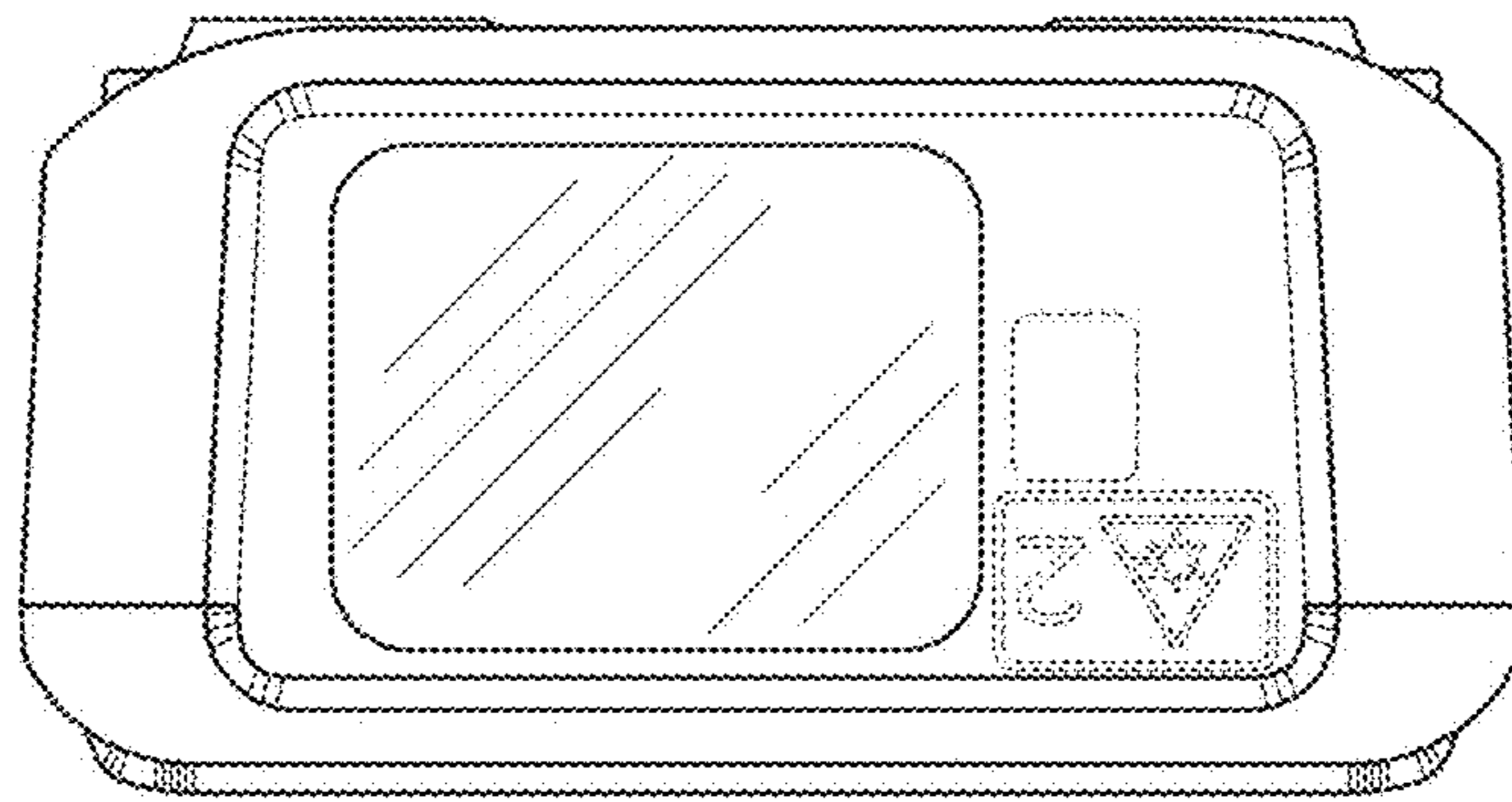


FIG. 5

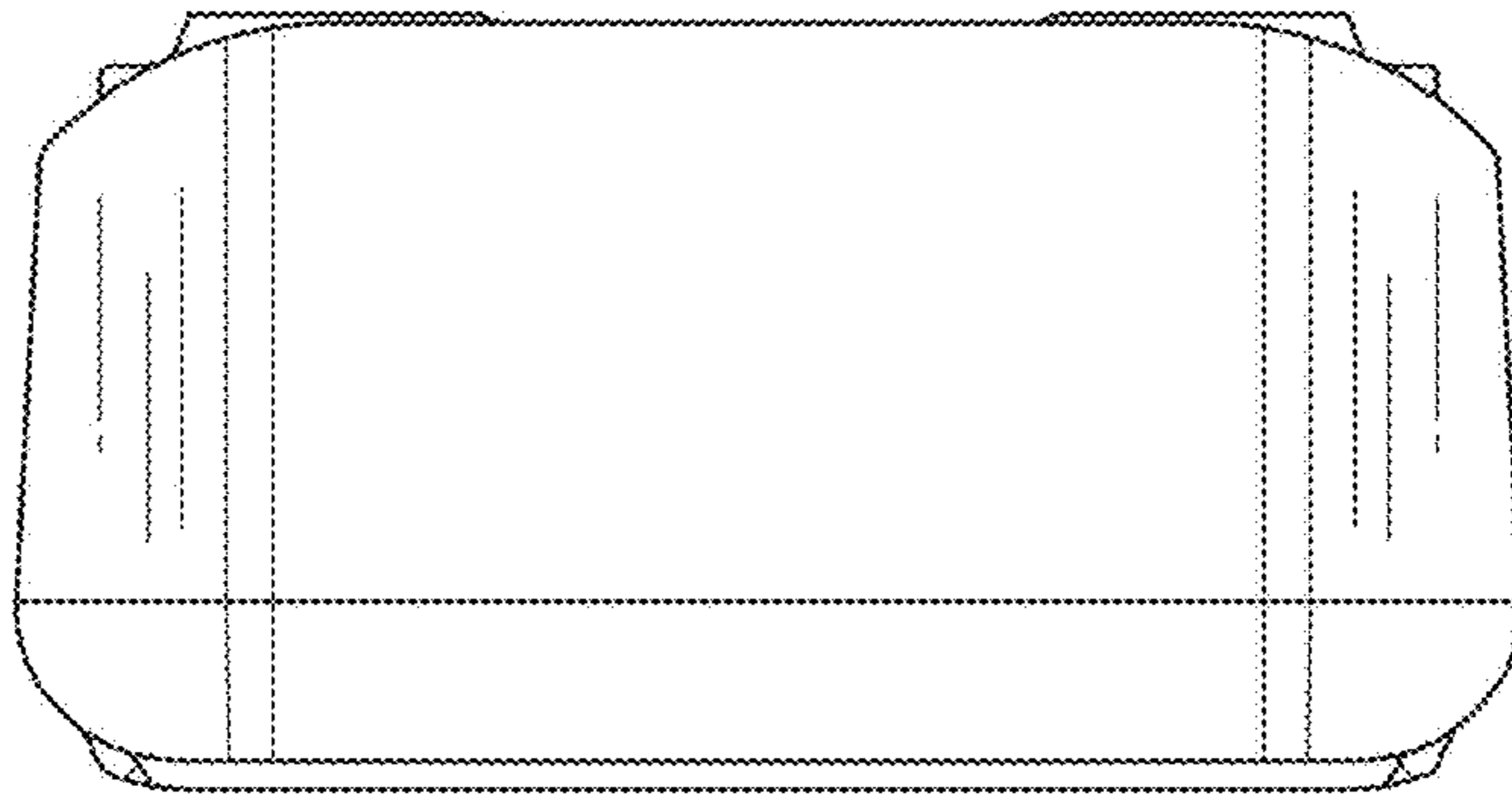


FIG. 6

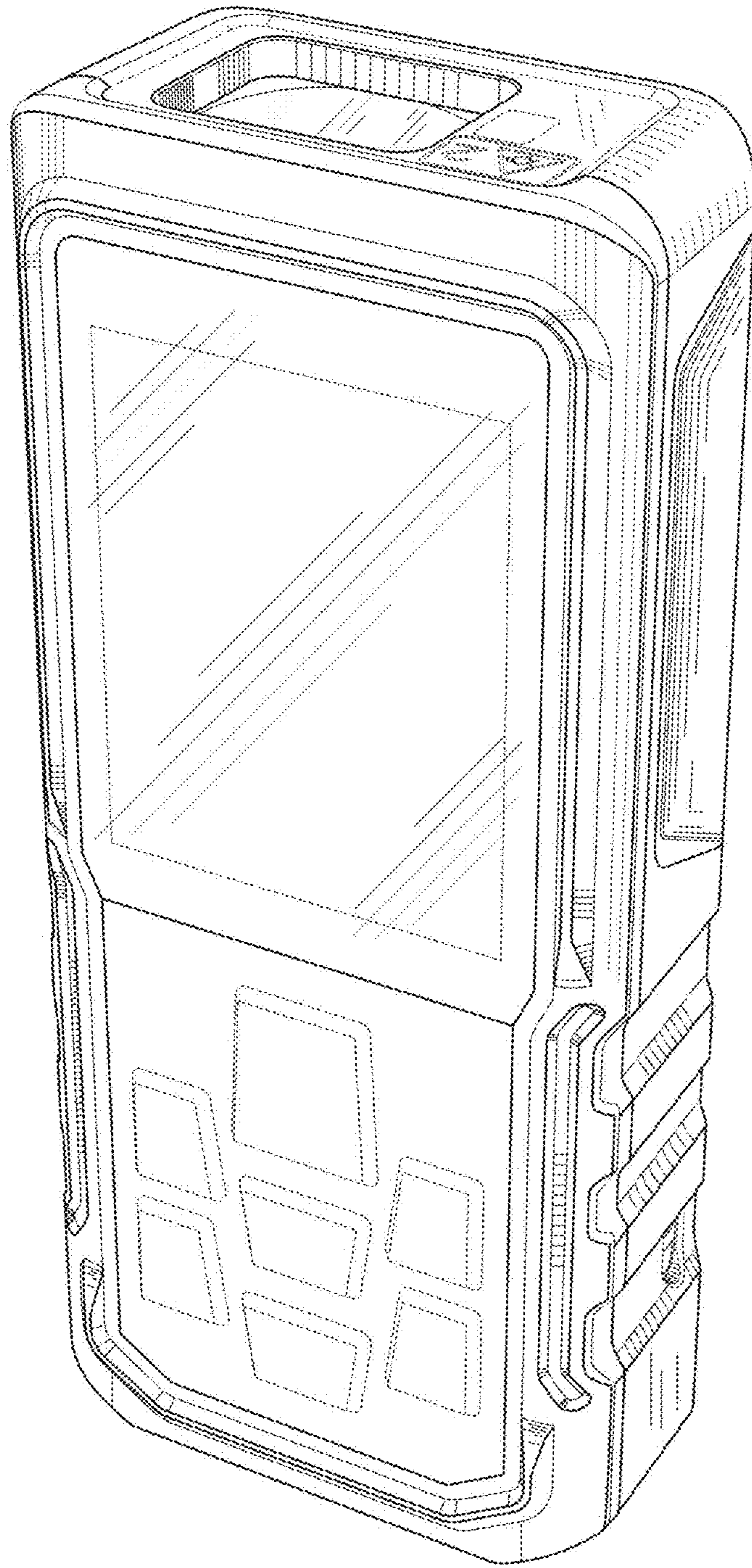


FIG. 7