



US00D881044S

(12) **United States Design Patent**  
**Nguyen**

(10) **Patent No.:** **US D881,044 S**

(45) **Date of Patent:** **\*\* Apr. 14, 2020**

(54) **WEARABLE APPARATUS FOR INTUITION  
BASED COGNITIVE ASSISTANT**

(71) Applicant: **FUVI COGNITIVE NETWORK  
CORP.**, Framingham, MA (US)

(72) Inventor: **Phu-Vinh Nguyen**, Sherborn, MA (US)

(73) Assignee: **FUVI COGNITIVE NETWORK  
CORP.**, Framingham, MA (US)

(\*\*) Term: **15 Years**

(21) Appl. No.: **29/665,633**

(22) Filed: **Oct. 5, 2018**

(51) **LOC (12) Cl.** ..... **10-04**

(52) **U.S. Cl.**  
USPC ..... **D10/70; D10/38; D10/98; D14/344;  
D24/186**

(58) **Field of Classification Search**  
USPC ..... D10/30-39, 65, 70, 78, 97, 98; D11/3;  
D14/138 R, 203.5, 203.6, 341, 344, 347;  
D24/167, 168, 186  
CPC ..... A44C 5/00-5/16; G04B 37/00-37/228;  
G04B 45/0069; G04B 47/04; G04B  
19/00-19/34; G04B 21/12; G04B 23/12;  
G04B 47/00-47/068; G04B  
21/00-21/369; G04B 47/065; G04B  
47/066; G01C 17/00; G01C  
21/00-21/3697; G01C 22/00-22/025;  
G01C 23/00-23/005; G01C 21/16; G06F  
19/3481; G06F 3/00-3/027; G06F 1/163;  
G01P 1/00-1/26; G01P 15/00-15/18;  
A63B 24/00-2024/0096; A63B 2213/00;  
A63B 69/0028; A63B  
2071/0658-2071/0666; A63B  
2220/00-2220/89; A63B 2225/02; A61B  
5/0537; A61B 5/4873; A61B 5/6831;  
A61B 5/4869; A61B 5/0858; A61B  
5/1075; A61B 5/107; A61B 5/4875; A61B  
5/4878; A61B

(Continued)

(56) **References Cited**

U.S. PATENT DOCUMENTS

D527,285 S \* 8/2006 Burton ..... D10/38  
D528,439 S \* 9/2006 Burton ..... D10/32

(Continued)

*Primary Examiner* — Antoine Duval Davis

(74) *Attorney, Agent, or Firm* — Edell, Shapiro & Finnan,  
LLC

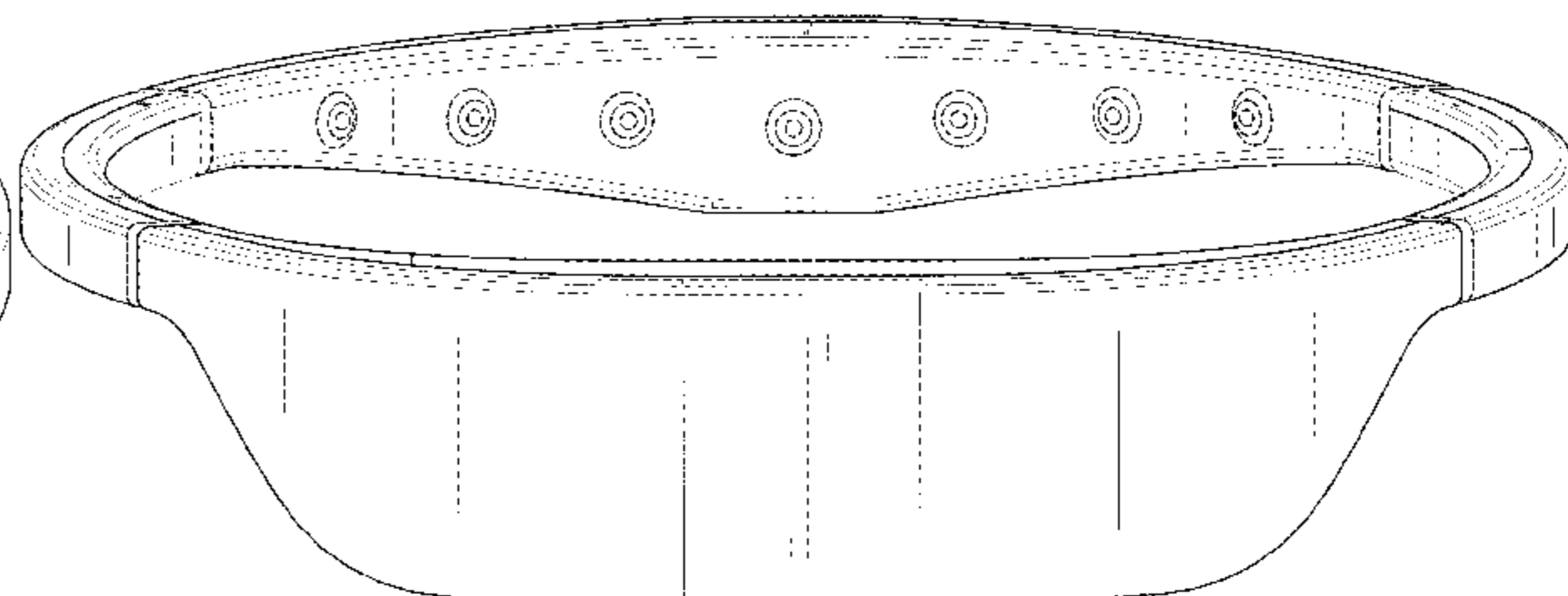
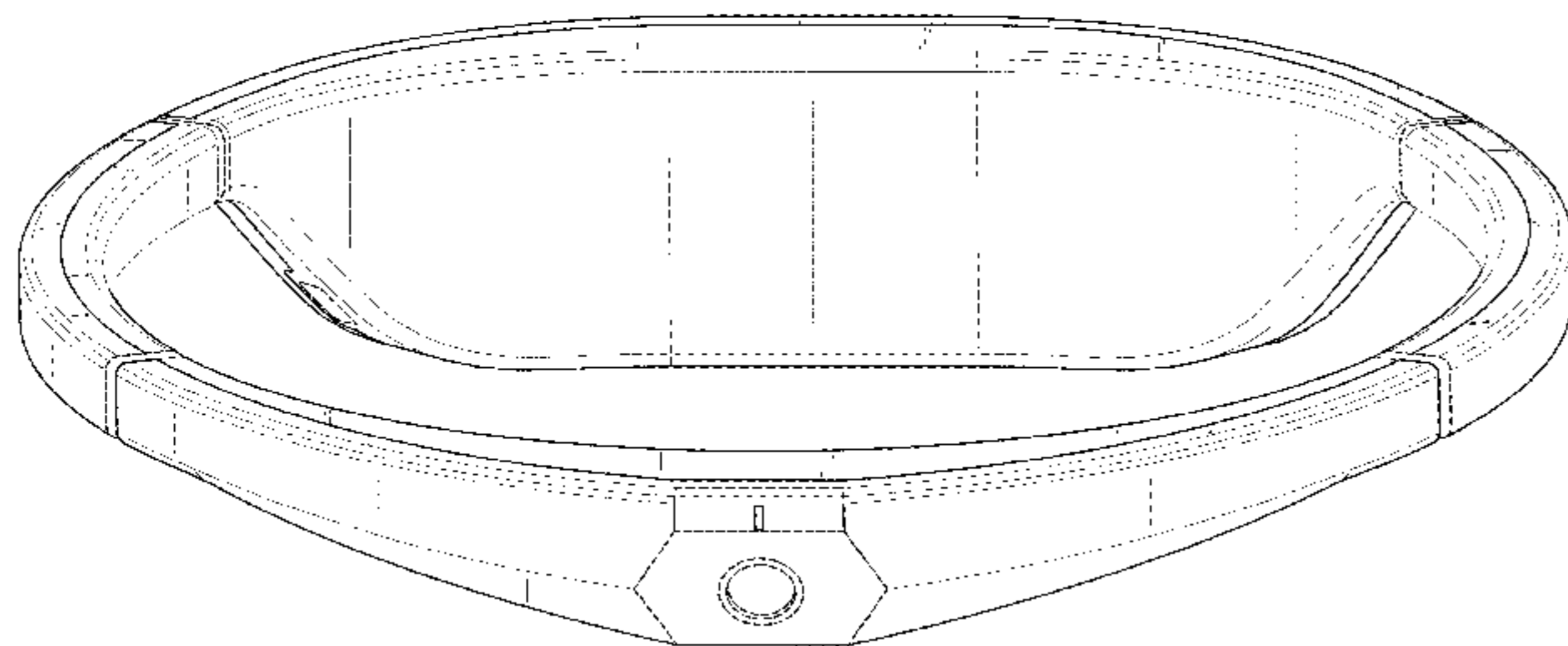
(57) **CLAIM**

The ornamental design of a wearable apparatus for intuition based cognitive assistant, as shown and described.

**DESCRIPTION**

FIG. 1 is a front view of an embodiment of a wearable apparatus for intuition based cognitive assistant according to our new design;  
FIG. 2 is a back view of an embodiment of a wearable apparatus for intuition based cognitive assistant according to our new design;  
FIG. 3 is a right elevational view of an embodiment of a wearable apparatus for intuition based cognitive assistant according to our new design;  
FIG. 4 is a right view of an embodiment of a wearable apparatus for intuition based cognitive assistant according to our new design;  
FIG. 5 is a top plan view of an embodiment in a closed state of a wearable apparatus for intuition based cognitive assistant according to our new design; and,  
FIG. 6 is a top plan view of an embodiment in an expandable open state of a wearable apparatus for intuition based cognitive assistant according to our new design.  
The present design invention refers to an ornamental design of an article of a wearable apparatus for intuition based cognitive assistant.  
The broken lines depict environment only and form no part of the claimed design.

**1 Claim, 6 Drawing Sheets**



(58) **Field of Classification Search**

CPC .... 5/4881; A61B 5/61-5/6898; A61B 5/6826;  
A61B 5/165; A61B 5/0476; A61B  
5/6824; A61B 5/6825; G04R 20/02;  
G04C 10/00; G04C 10/02; G08B  
21/0269; G08B 21/0272; G08B 21/0286;  
G08B 21/0288; G08B 21/0291; G08B  
21/04-21/2454; G01S 19/00-19/55;  
G04G 9/0064; G04G 9/0005; A63C  
11/02; G09B 5/065; G09B 5/06; G09B  
19/025; G10L 15/26; G10L 15/04; G10L  
15/265

See application file for complete search history.

(56) **References Cited**

U.S. PATENT DOCUMENTS

8,234,994	B1 *	8/2012	Branch	.....	G01L 5/0052 116/201
D734,331	S *	7/2015	Wu	.....	G01L 5/0052 D14/344
9,129,503	B2 *	9/2015	Borlenghi	.....	G08B 21/0269
9,645,610	B1 *	5/2017	Chang	.....	H05K 3/0008
9,859,937	B2 *	1/2018	Chien	.....	G04G 17/04
9,962,555	B1 *	5/2018	Charles	.....	A61B 5/0476
10,113,095	B2 *	10/2018	Hurbi	.....	C04B 38/0022
10,127,825	B1 *	11/2018	Nguyen	.....	G10L 15/26
10,281,963	B2 *	5/2019	Takagi	.....	G06F 1/203

\* cited by examiner

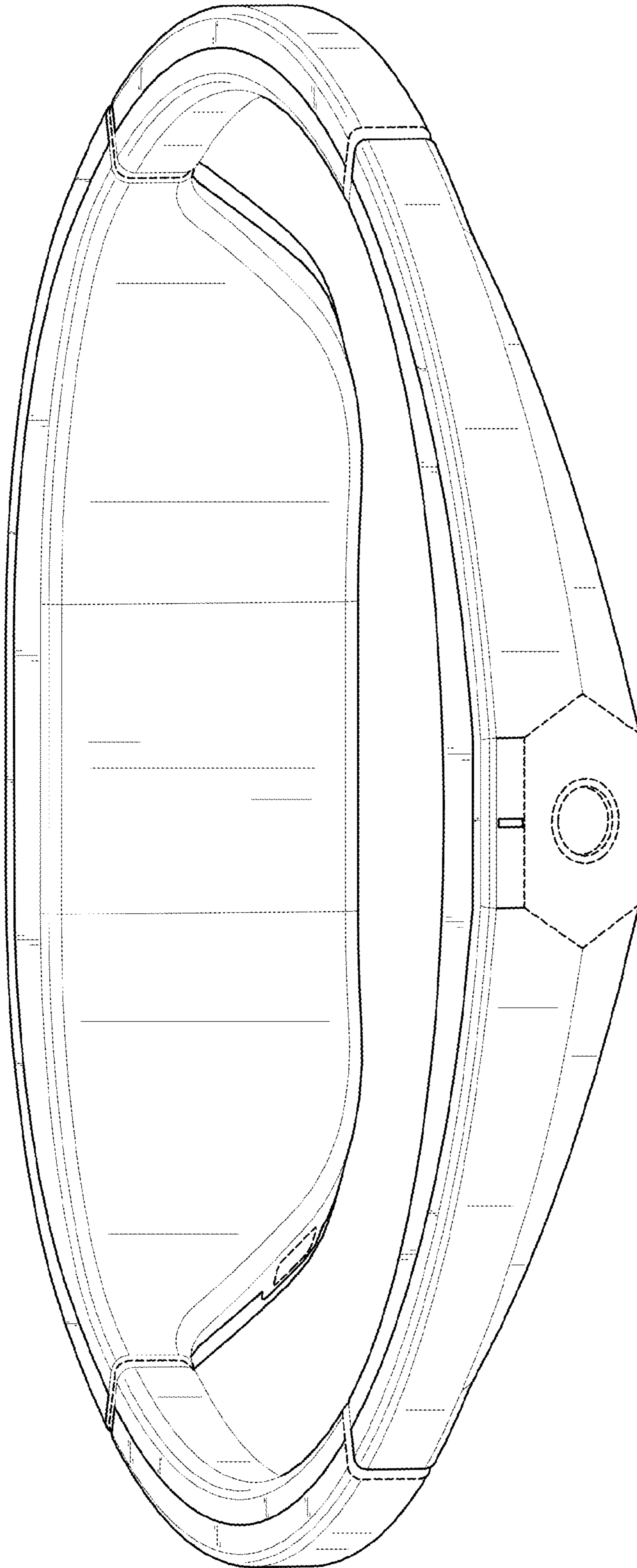


FIG. 1

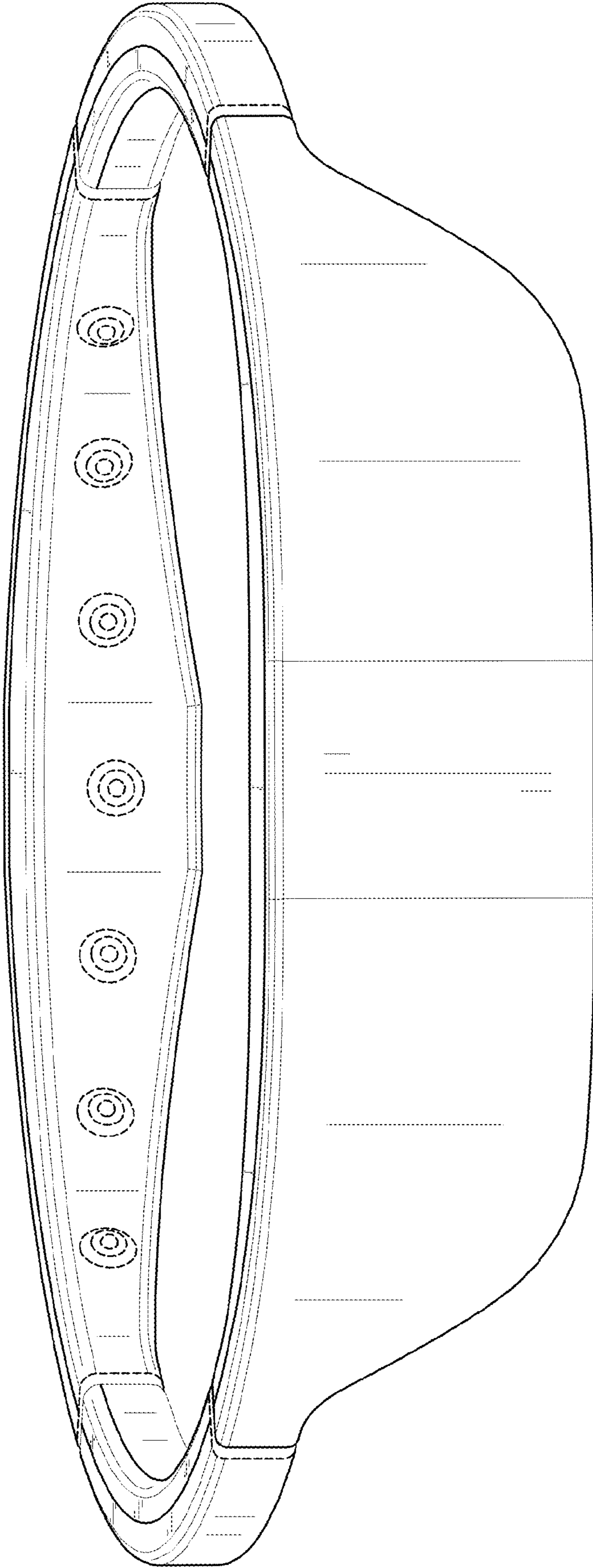


FIG. 2

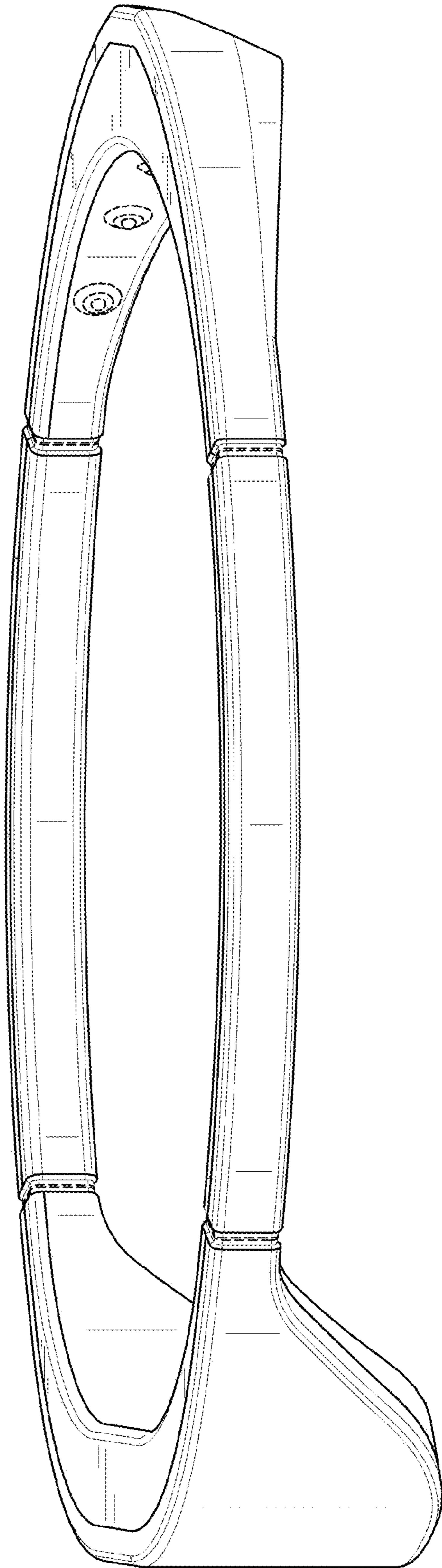


FIG. 3

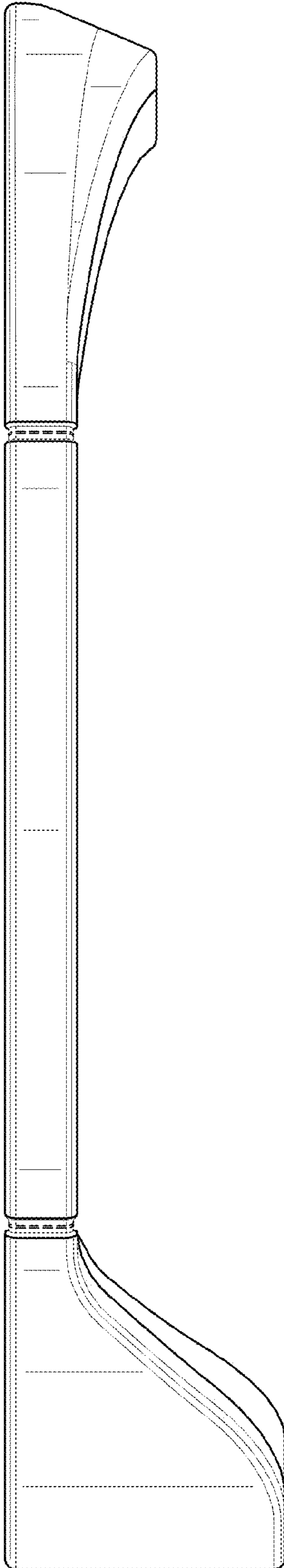


FIG. 4

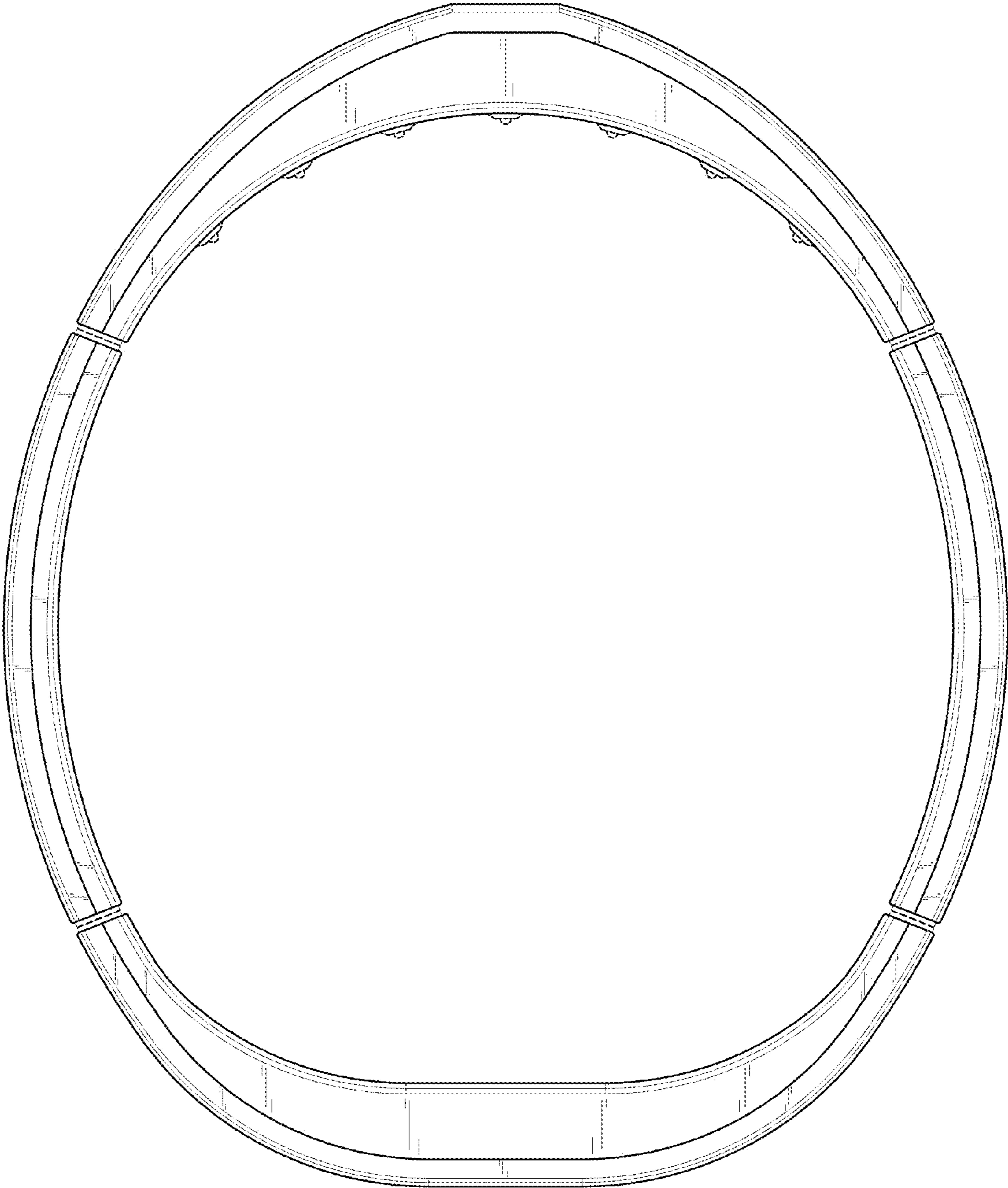


FIG. 5

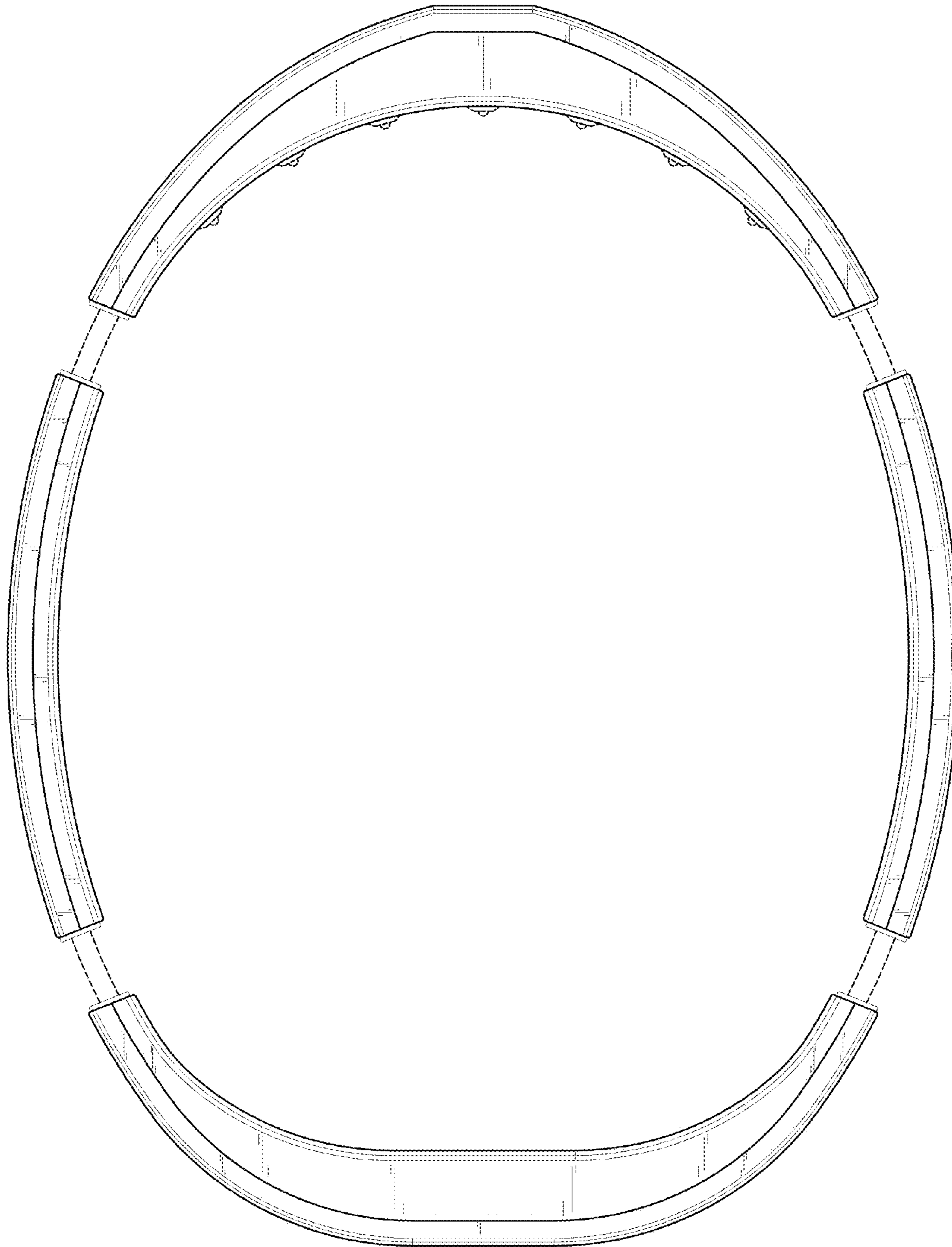


FIG. 6