



US00D881043S

(12) **United States Design Patent** (10) **Patent No.:** **US D881,043 S**
Shao (45) **Date of Patent:** **** Apr. 14, 2020**

(54) **SPIRIT LEVEL**

(71) Applicant: **Shenzhen Aukeyhi Technology co., Ltd.**, Shenzhen (CN)

(72) Inventor: **Zelong Shao**, Shenzhen (CN)

(**) Term: **15 Years**

(21) Appl. No.: **29/666,553**

(22) Filed: **Oct. 15, 2018**

(51) **LOC (12) Cl.** **10-04**

(52) **U.S. Cl.**
USPC **D10/69**

(58) **Field of Classification Search**
USPC D10/69
CPC . G01C 9/00; G01C 9/005; G01C 9/02; G01C 9/04; G01C 9/06; G01C 9/08; G01C 9/10; G01C 9/12; G01C 9/14; G01C 9/16; G01C 9/18; G01C 9/20; G01C 9/22; G01C 9/24; G01C 9/26; G01C 9/28; G01C 9/30; G01C 9/32; G01C 9/34; G01C 9/36; G01C 2009/005; G01C 2009/062; G01C 2009/064; G01C 2009/066; G01C 2009/068; G01C 2009/102; G01C 2009/105; G01C 2009/107; G01C 2009/182; G01C 2009/185; G01C 2009/187

See application file for complete search history.

(56) **References Cited**

U.S. PATENT DOCUMENTS

D538,688 S * 3/2007 Snider D10/69
9,846,033 B2 * 12/2017 Palatshe G01C 15/004

* cited by examiner

Primary Examiner — Antoine Duval Davis

(74) *Attorney, Agent, or Firm* — Jie Yang; ZanIP

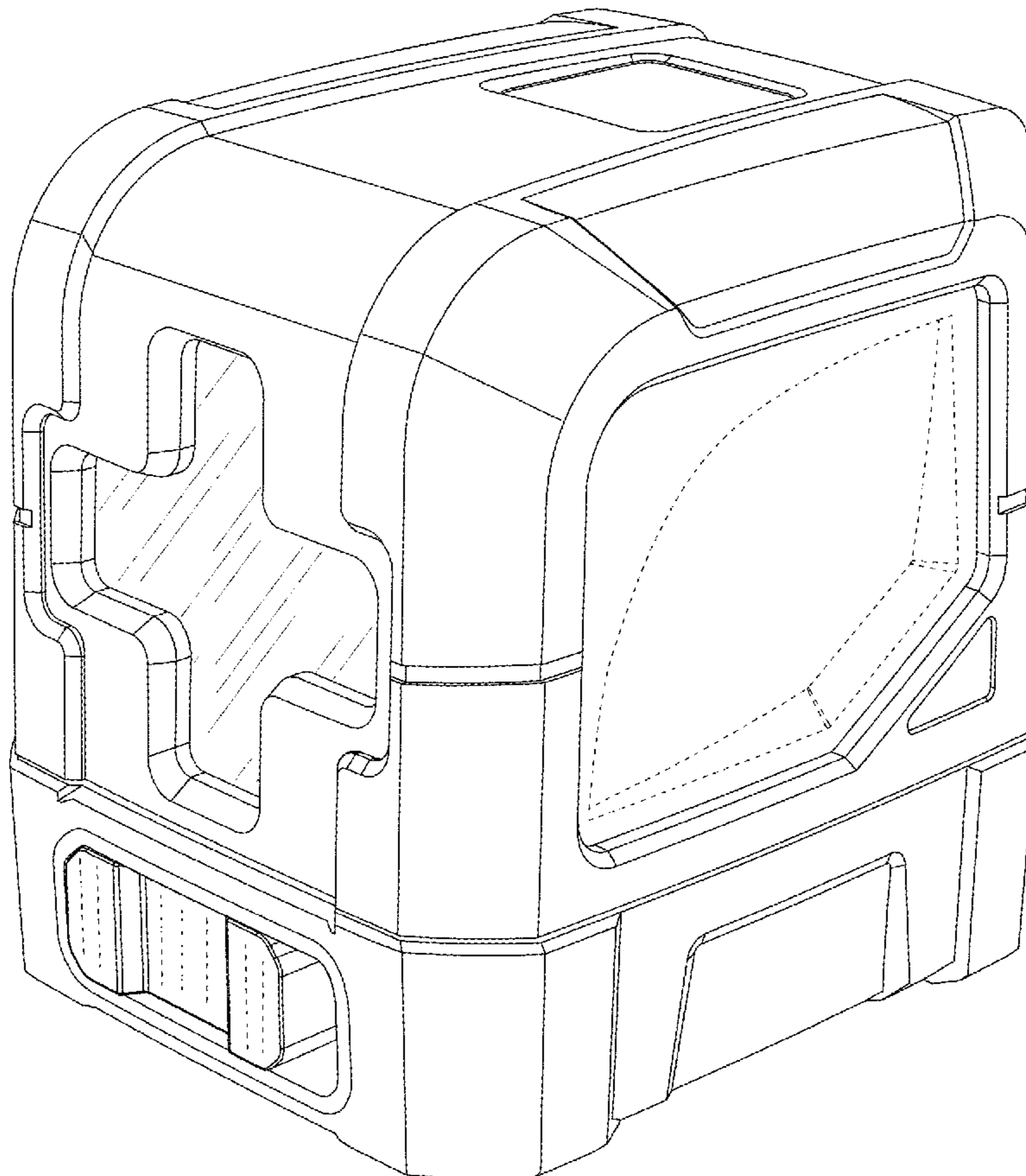
(57) **CLAIM**

The ornamental design for a spirit level, as shown and described.

DESCRIPTION

FIG. 1 is a front elevation view of a spirit level, showing my new design;
FIG. 2 is a rear elevation view thereof;
FIG. 3 is a left side elevation view thereof;
FIG. 4 is a right side elevation view thereof;
FIG. 5 is a top plan the view thereof;
FIG. 6 is a bottom plan the view thereof; and,
FIG. 7 is a front, right side perspective view thereof.
The broken lines shown in the drawings depict portions of the spirit level that form no part of the claimed design.

1 Claim, 7 Drawing Sheets



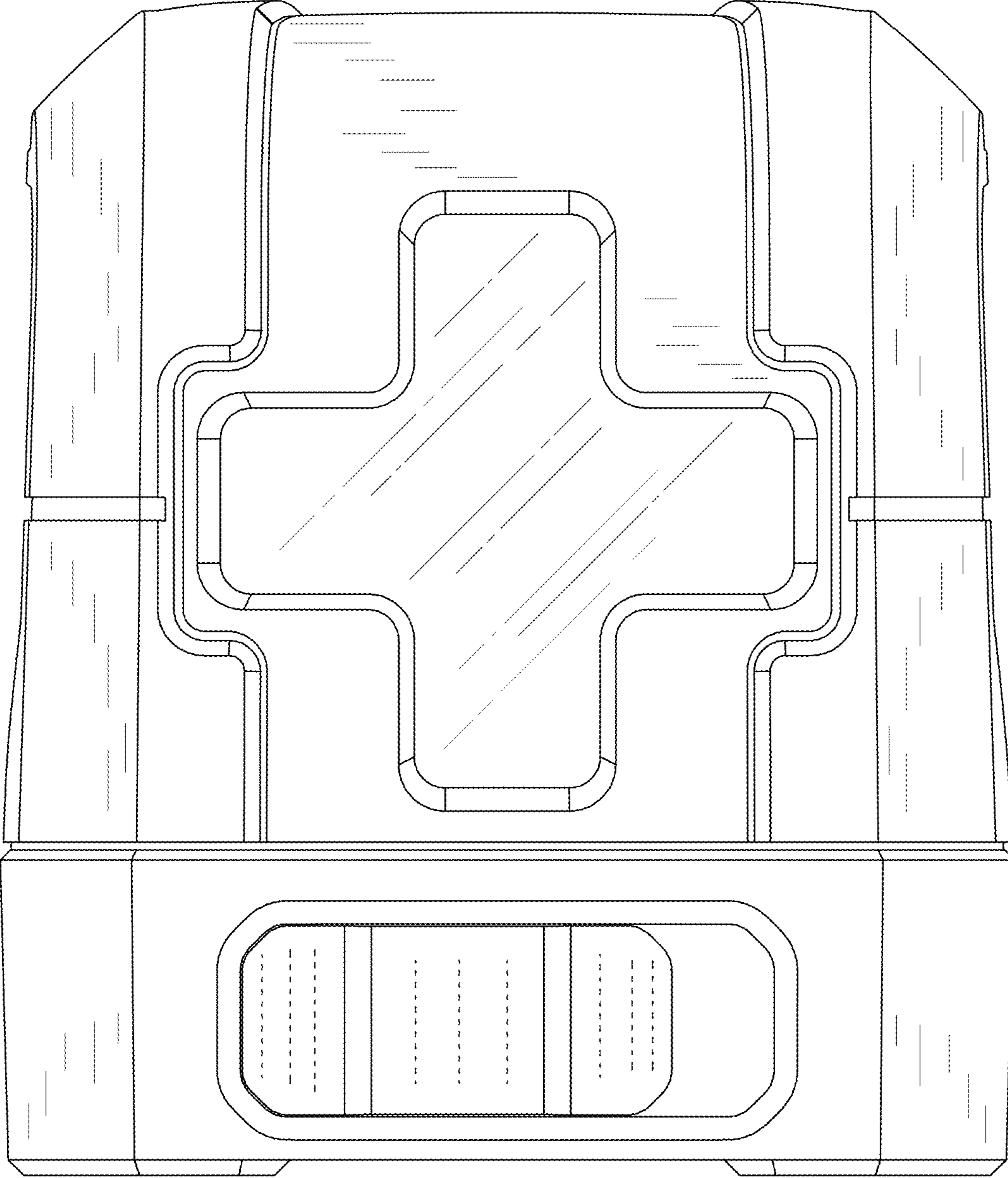


FIG. 1

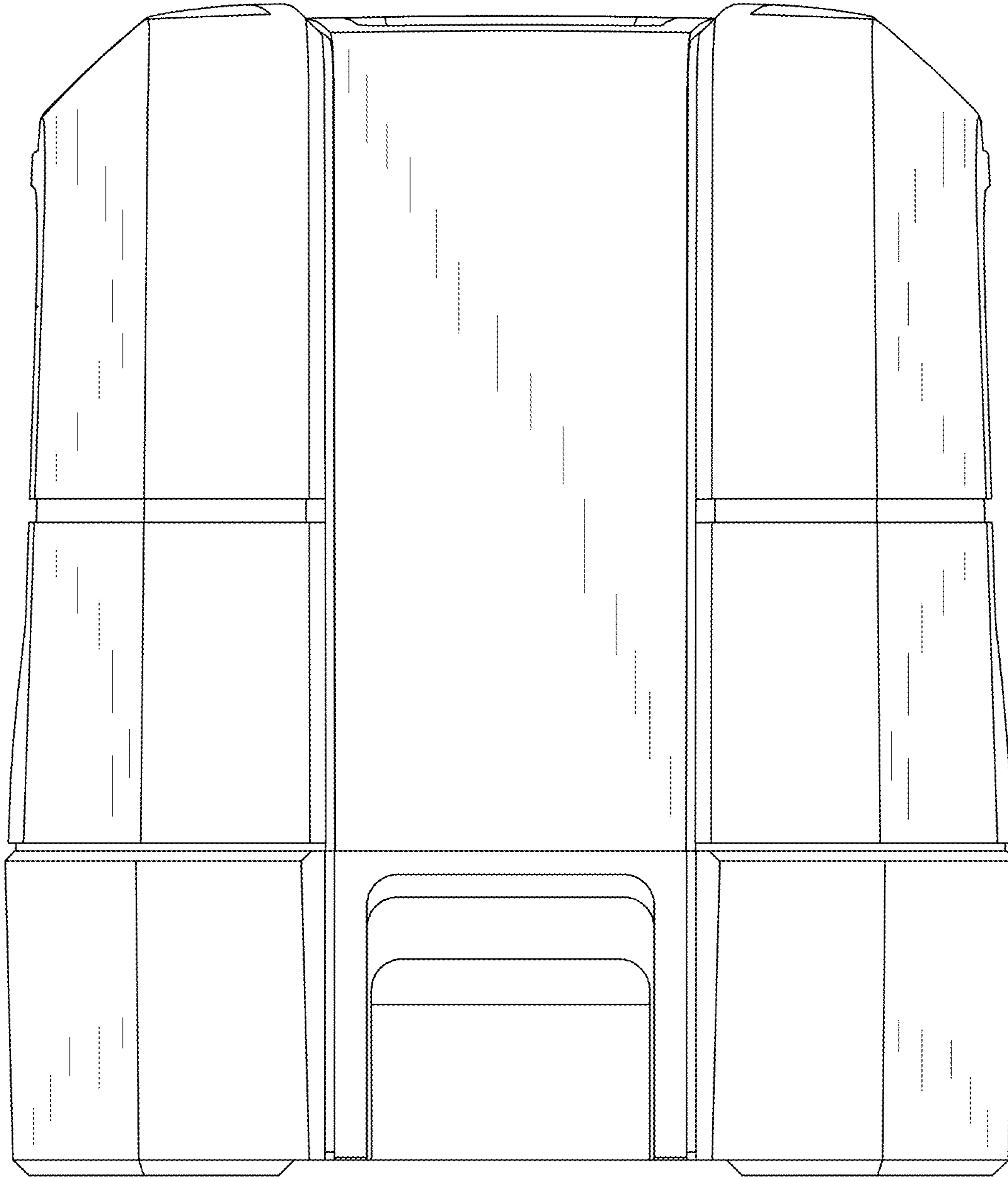


FIG. 2

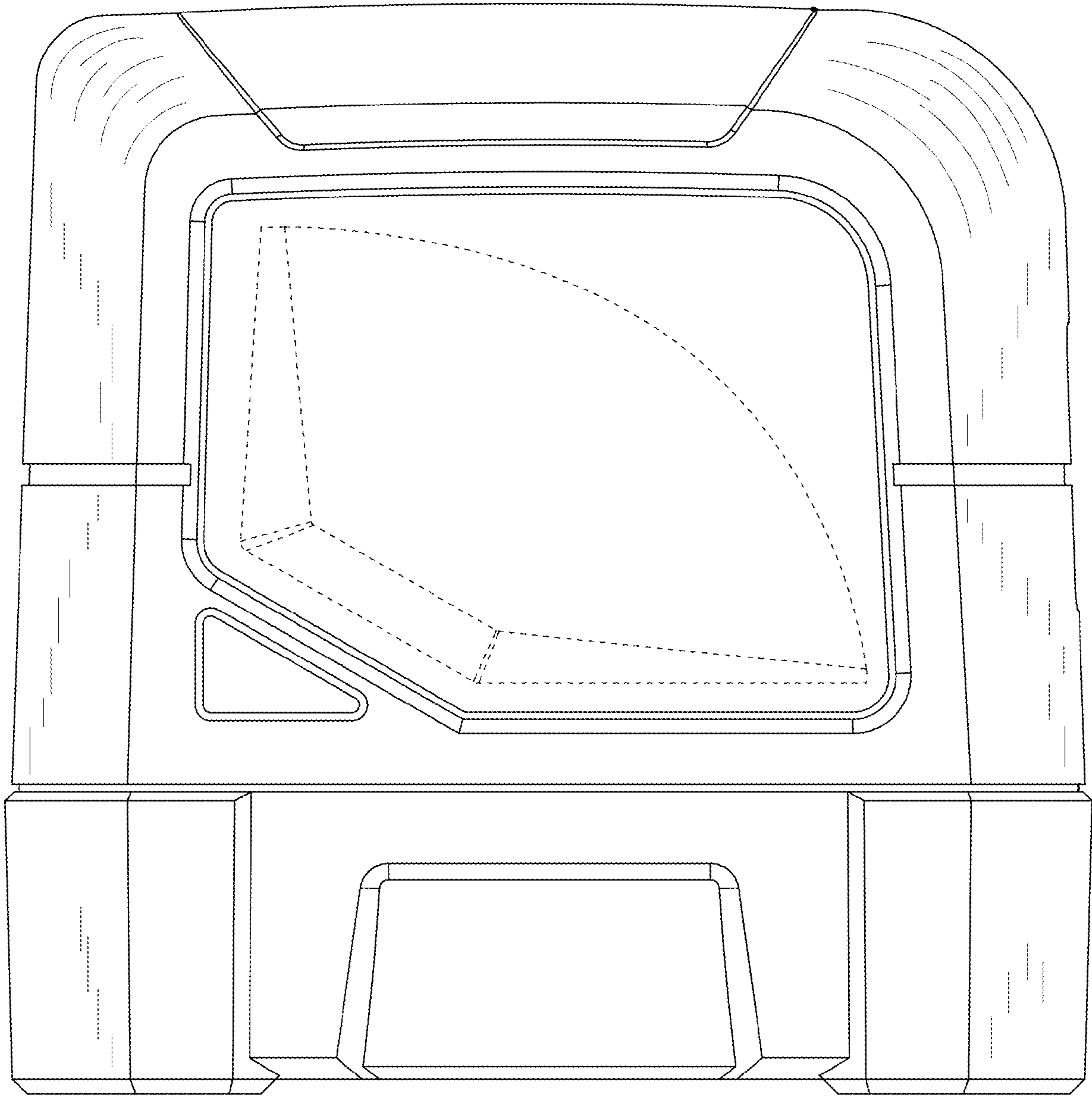


FIG. 3

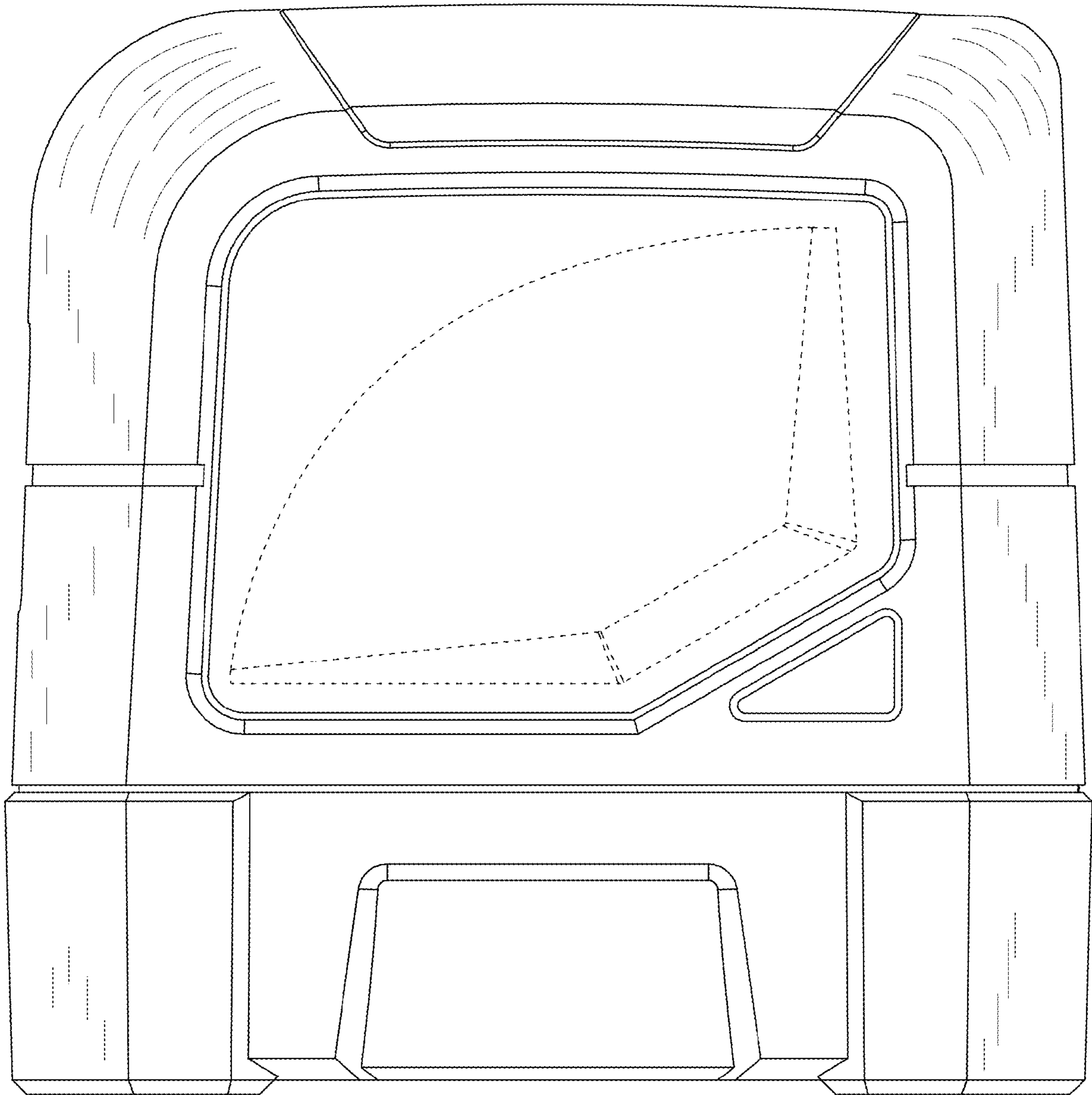


FIG. 4

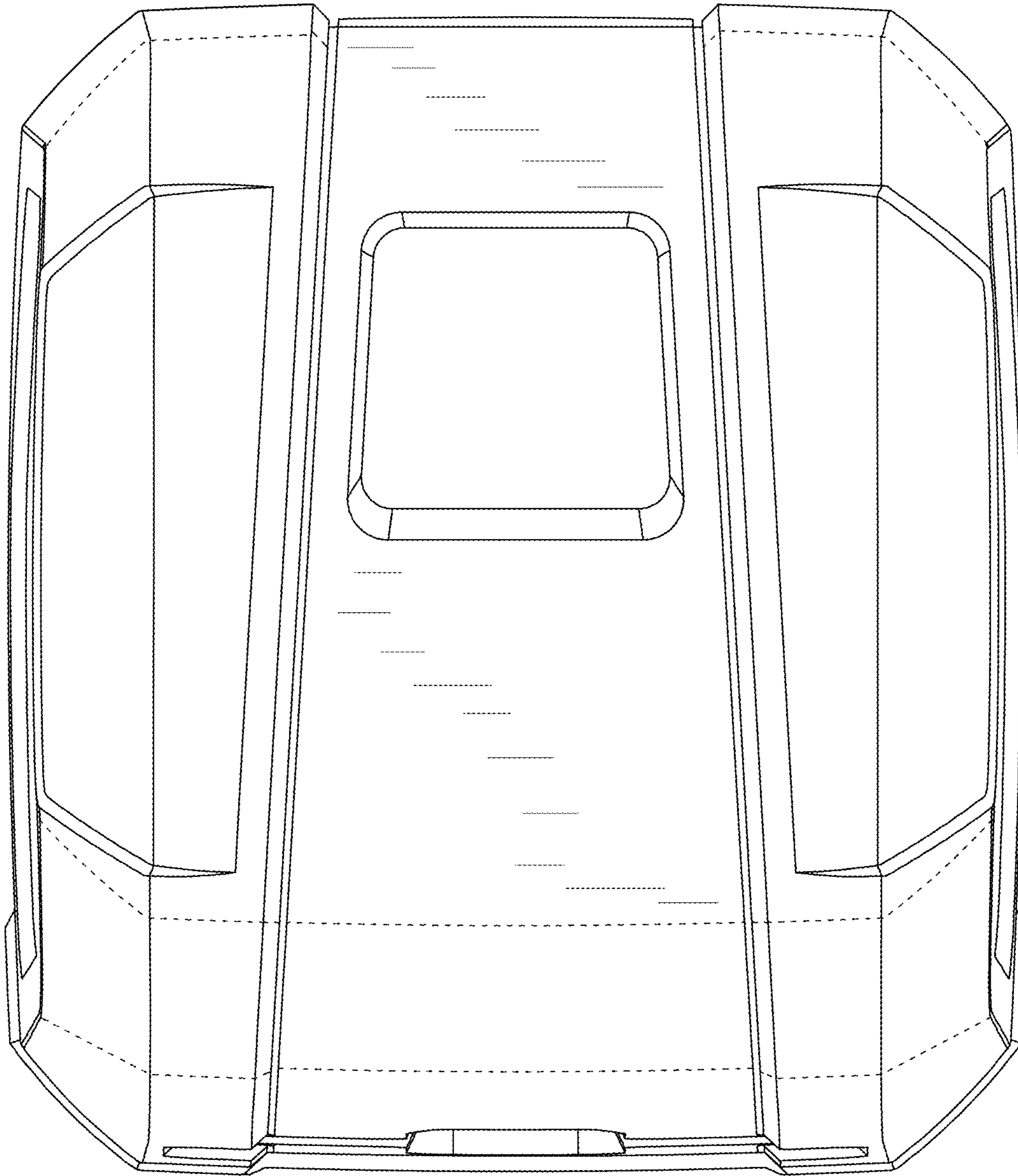


FIG. 5

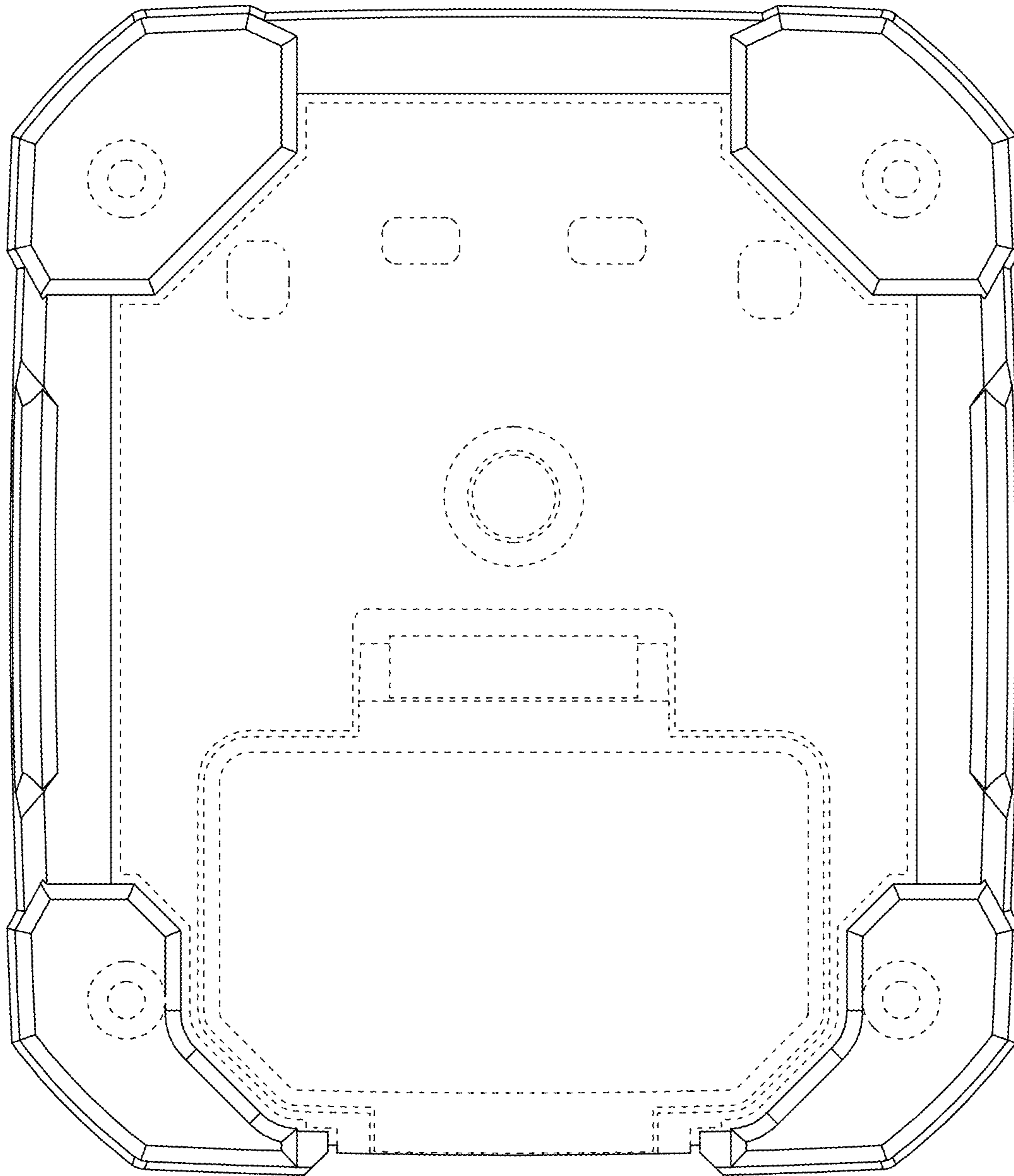


FIG. 6

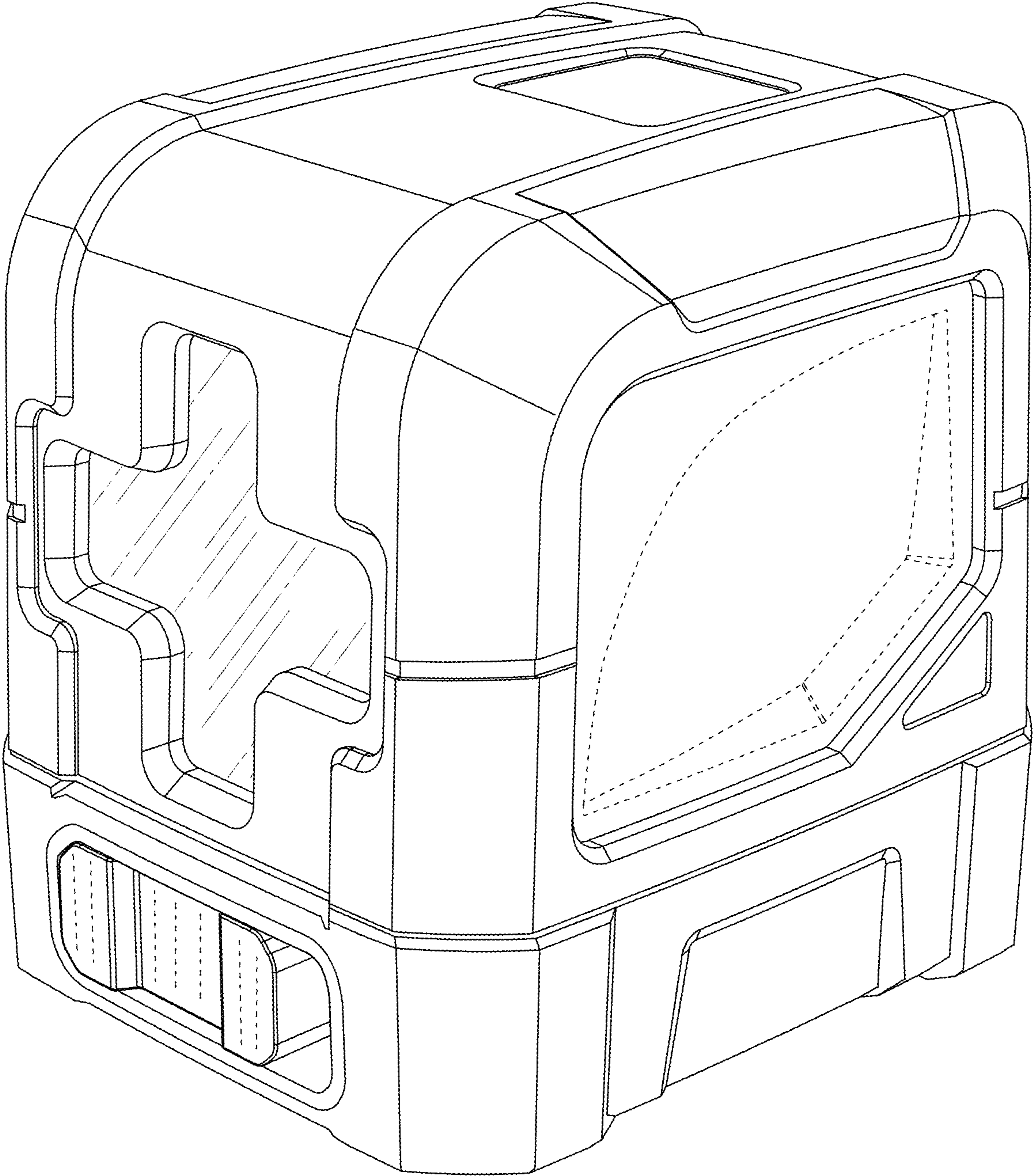


FIG. 7