



US00D881041S

(12) **United States Design Patent** (10) **Patent No.:** **US D881,041 S**
Luo et al. (45) **Date of Patent:** **** Apr. 14, 2020**

(54) **COMBINED TEMPERATURE MEASURING GUN**

(71) Applicant: **Shenzhen Apeman Innovations Technology Co., Ltd**, Shenzhen (CN)

(72) Inventors: **Tingyuan Luo**, Shenzhen (CN); **Dian Zhang**, Shenzhen (CN); **Manman Ma**, Shenzhen (CN)

(**) Term: **15 Years**

(21) Appl. No.: **29/671,490**

(22) Filed: **Nov. 28, 2018**

(51) **LOC (12) Cl.** **10-04**

(52) **U.S. Cl.**
USPC **D10/57**

(58) **Field of Classification Search**
USPC D10/57

CPC G01J 5/04; G01J 5/041; G01J 5/042; G01J 5/043; G01J 5/044; G01J 5/045; G01J 5/046; G01J 5/047; G01J 5/048; G01J 5/049; G01J 5/0265; G01K 1/02; G01K 1/022; G01K 1/024; G01K 1/08; G01K 1/083; G01K 1/086; G01K 3/00-3/14; G01K 2003/145; G01K 13/002; G01K 13/004; G01K 2219/00; G01K 5/04-5/225; G01K 5/22; G01K 221/00

See application file for complete search history.

(56) **References Cited**

U.S. PATENT DOCUMENTS

D570,714 S *	6/2008	Aulwes	D10/57
D614,978 S *	5/2010	Houlihan	D10/57
D616,772 S *	6/2010	Guo	D10/57
D617,216 S *	6/2010	Guo	D10/57
D617,217 S *	6/2010	Houlihan	D10/57
D685,658 S *	7/2013	Shibata	D10/57
9,442,024 B2 *	9/2016	Shih	G01J 5/047
D827,457 S *	9/2018	Liu	D10/57
D842,137 S *	3/2019	Wang	D10/57
10,426,355 B2 *	10/2019	Ho	G01J 5/049

* cited by examiner

Primary Examiner — Antoine Duval Davis

(74) *Attorney, Agent, or Firm* — Jie Yang; ZanIP

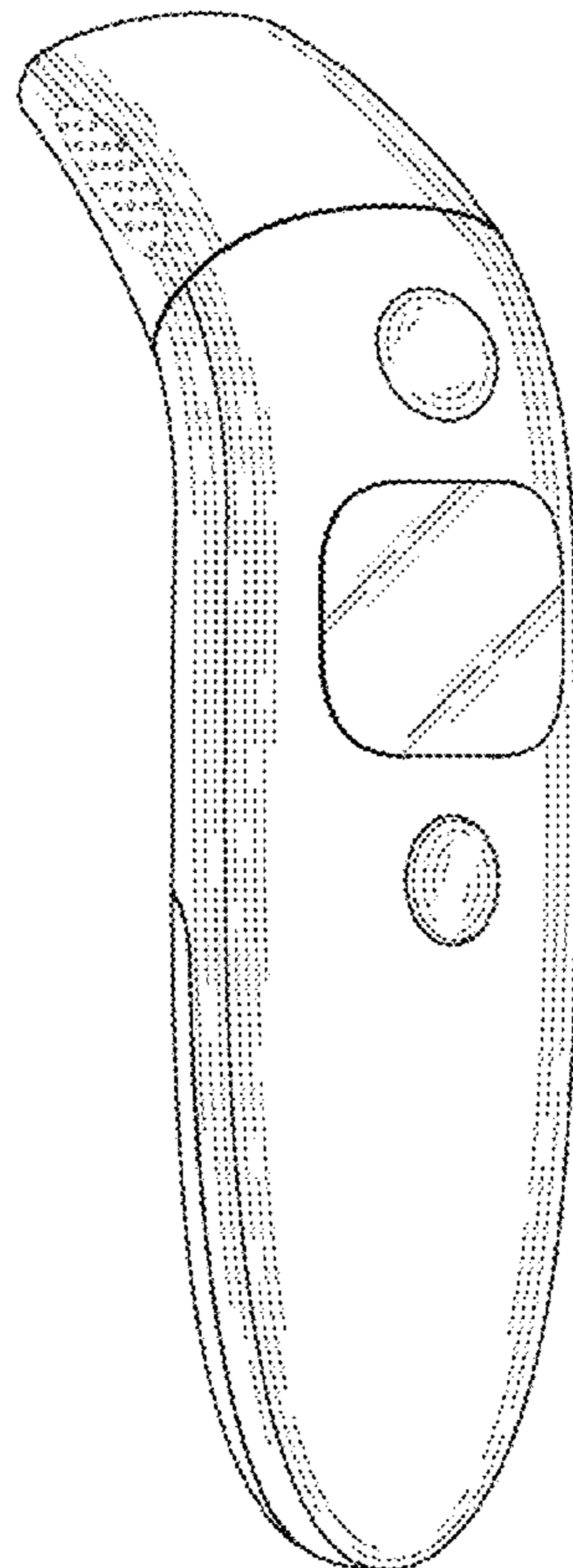
(57) **CLAIM**

The ornamental design for a combined temperature measuring gun, shown and described.

DESCRIPTION

FIG. 1 a front elevational view of the combined temperature measuring gun, showing my new design;
FIG. 2 is a rear elevational view thereof;
FIG. 3 is a left side elevational view thereof;
FIG. 4 is a right side elevational view thereof;
FIG. 5 is a top plan view thereof;
FIG. 6 is a bottom plan view thereof; and,
FIG. 7 is a front, left side perspective view thereof.

1 Claim, 7 Drawing Sheets



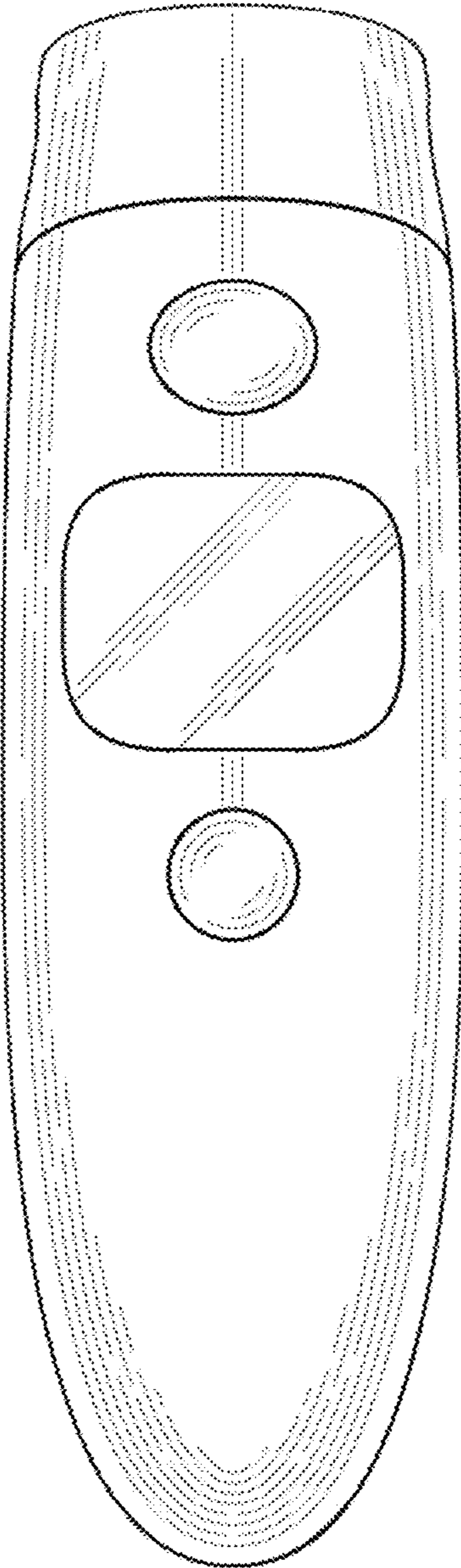


FIG. 1

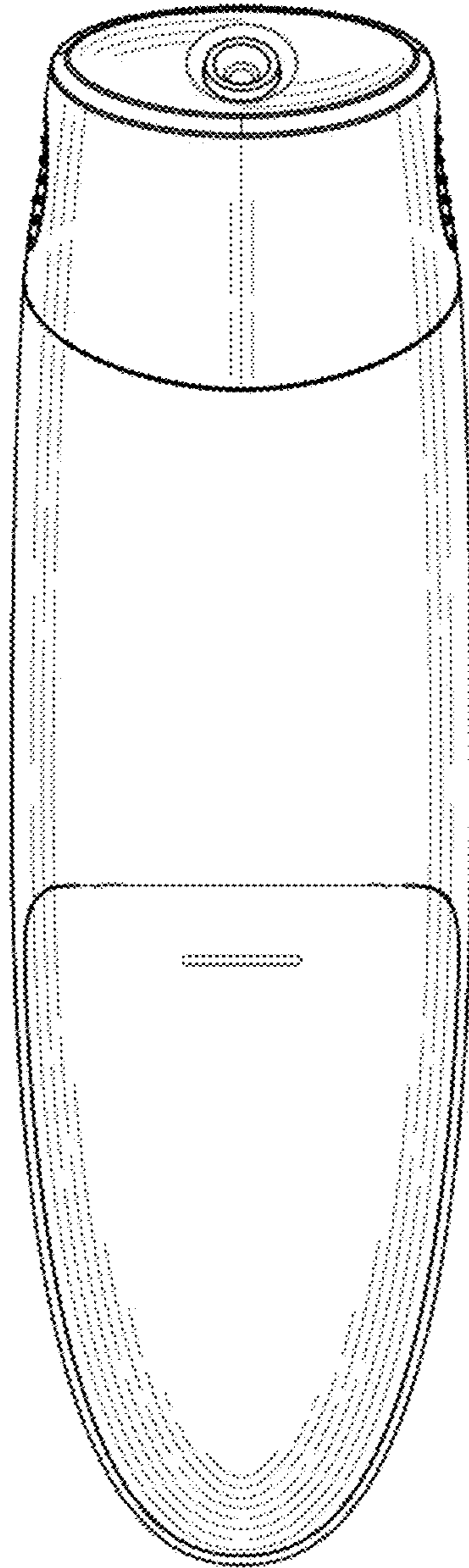


FIG. 2

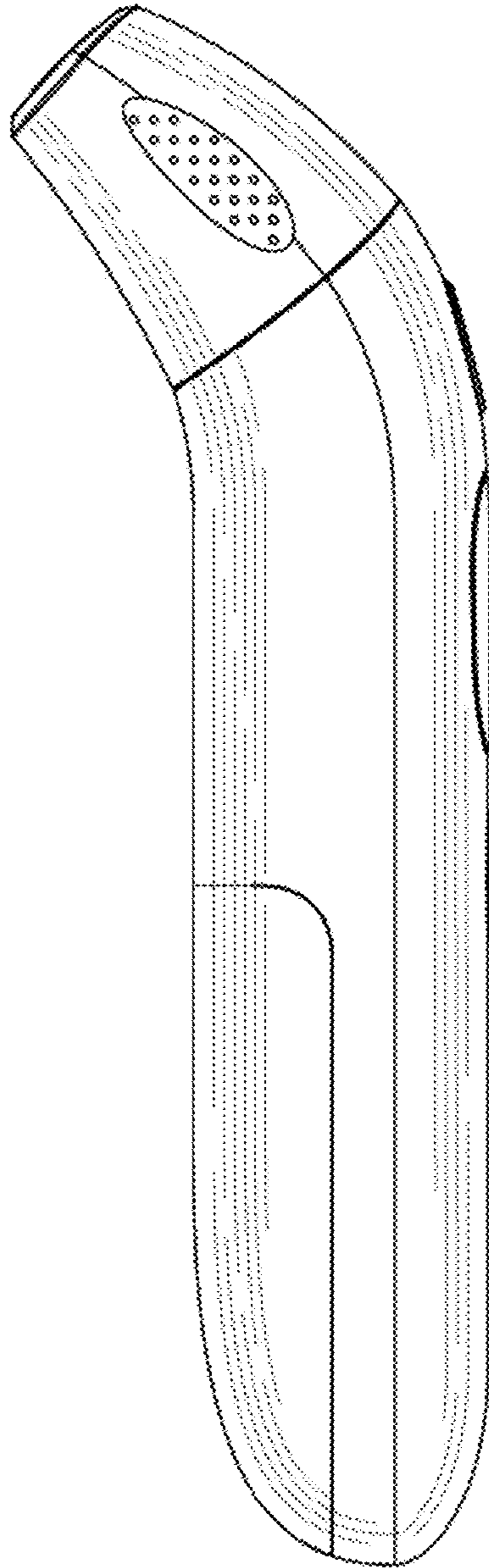


FIG. 3

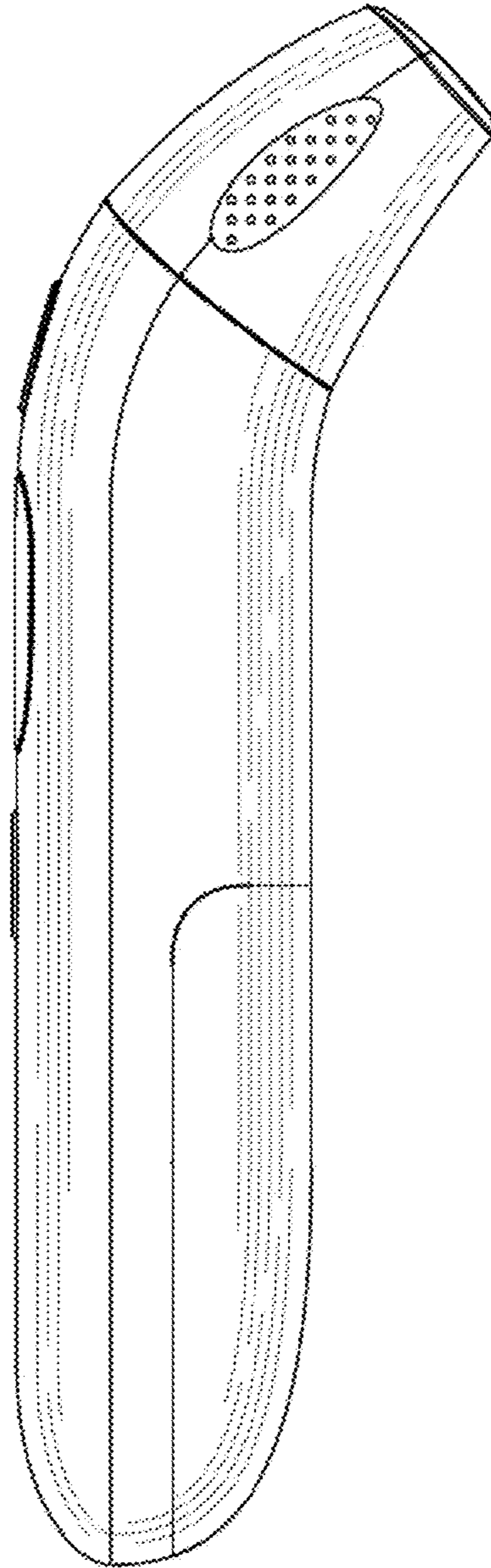


FIG. 4

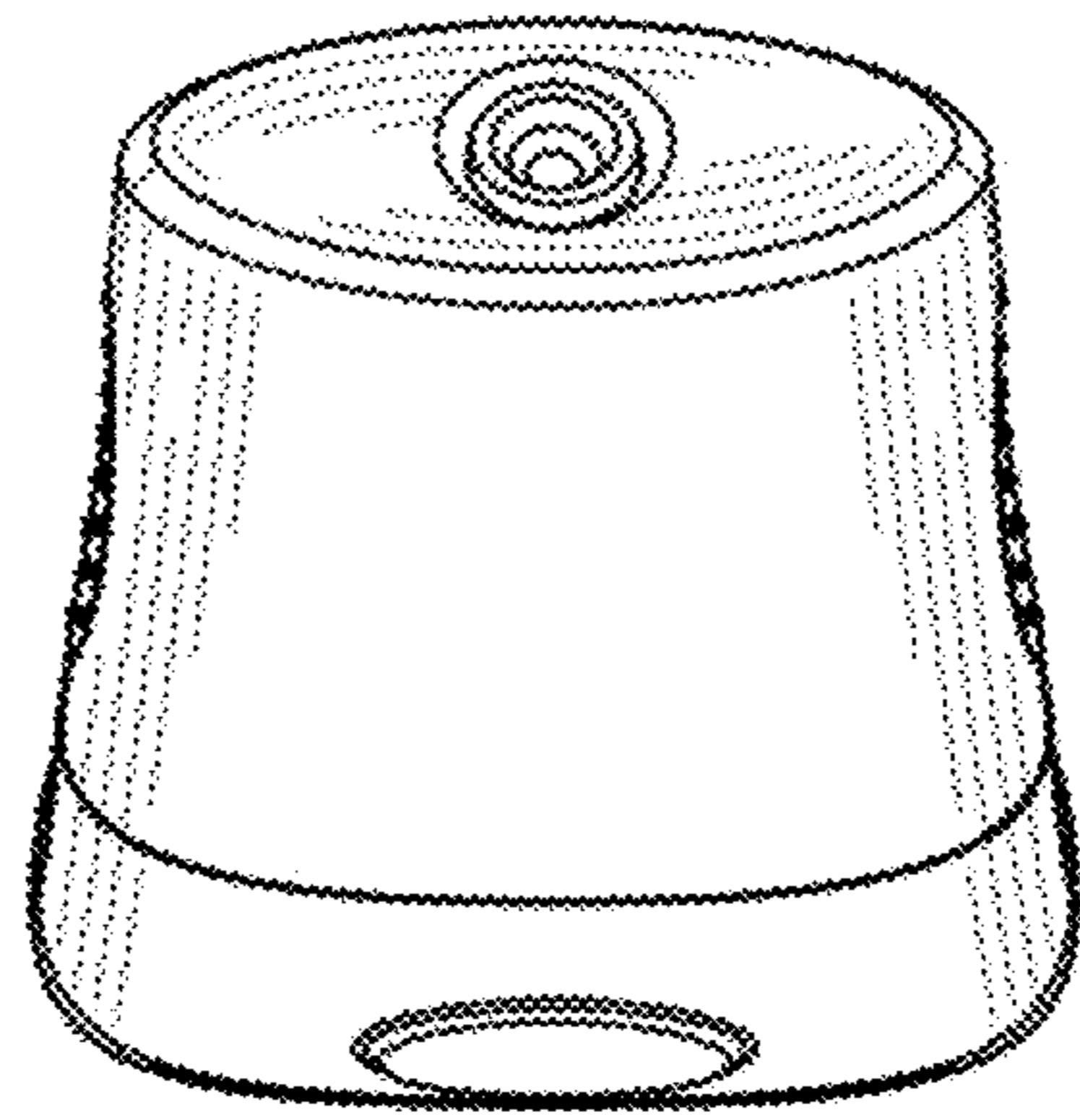


FIG. 5

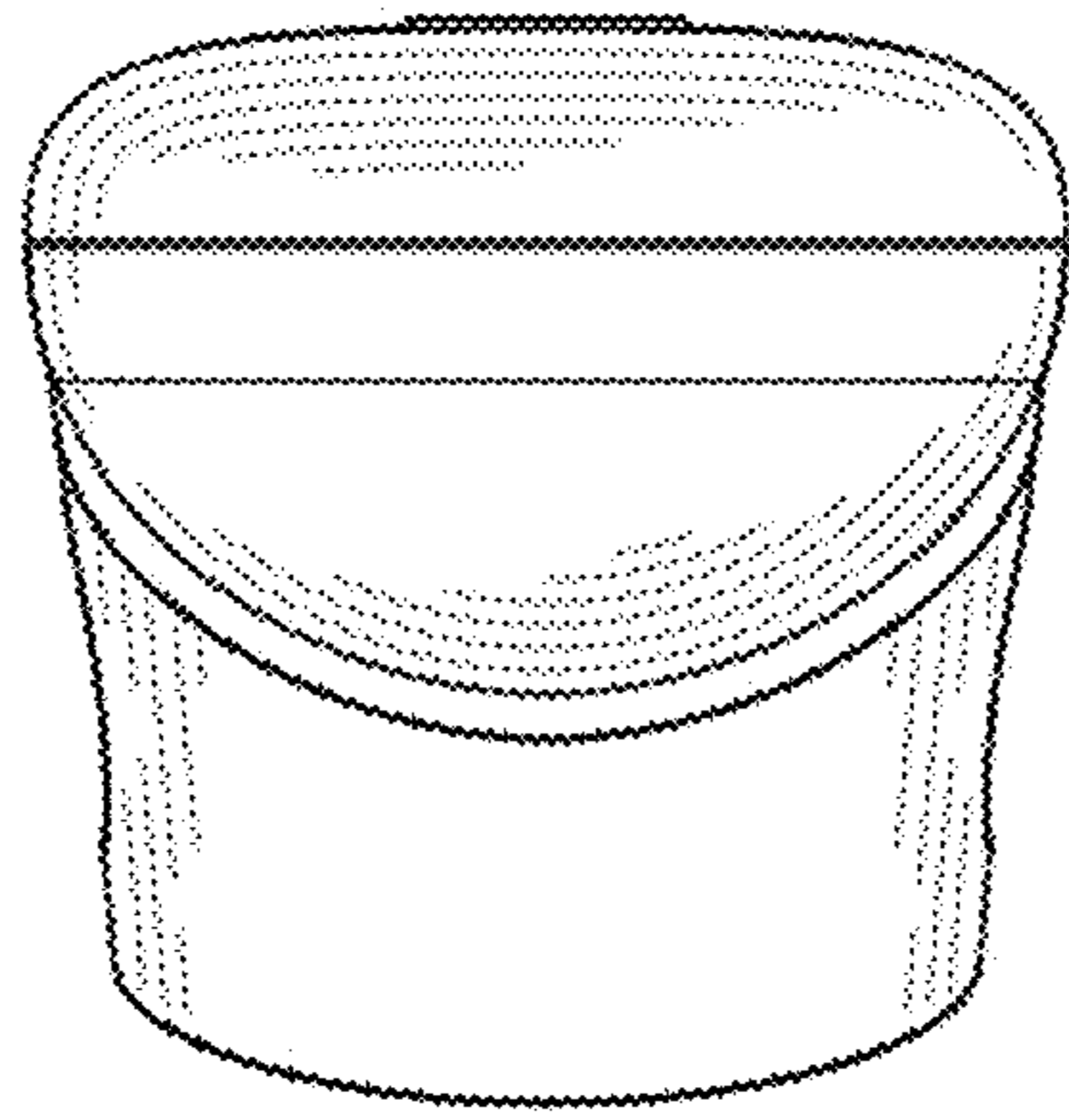


FIG. 6

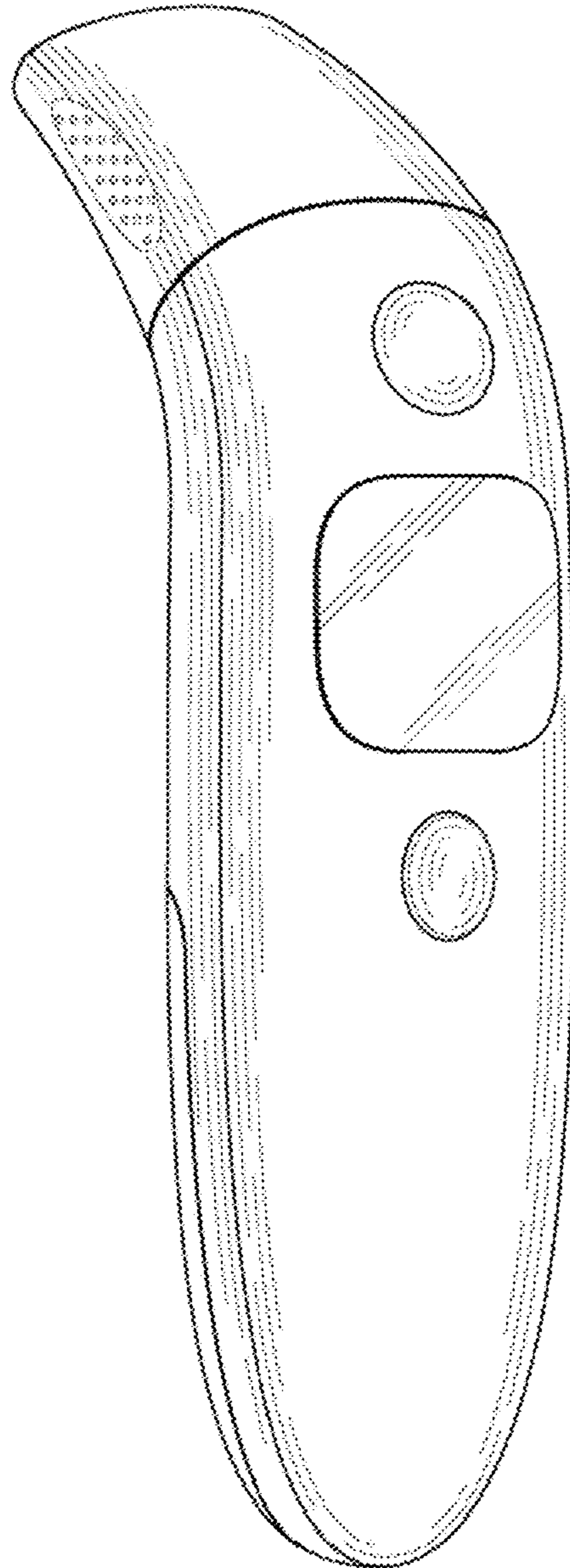


FIG. 7