



US00D881034S

(12) **United States Design Patent**  
**Zhang**

(10) **Patent No.:** **US D881,034 S**

(45) **Date of Patent:** **\*\* Apr. 14, 2020**

(54) **METAL DETECTOR**

(71) Applicant: **Shanghai 21st Century Electronic Equipment Co., Ltd., Shanghai (CN)**

(72) Inventor: **Yueling Zhang, Shanghai (CN)**

(\*\*) Term: **15 Years**

(21) Appl. No.: **29/671,833**

(22) Filed: **Nov. 30, 2018**

(51) **LOC (12) Cl.** ..... **10-04**

(52) **U.S. Cl.**  
USPC ..... **D10/47**

(58) **Field of Classification Search**  
USPC ..... D10/47  
CPC ... G01V 3/00; G01V 3/02; G01V 3/04; G01V 3/06; G01V 3/08; G01V 3/081; G01V 3/082; G01V 3/083; G01V 2003/084; G01V 2003/085; G01V 2003/086; G01V 3/087; G01V 3/088; G01V 3/10; G01V 3/101; G01V 3/102; G01V 3/104; G01V 3/105; G01V 3/107; G01V 3/108; G01V 3/12; G01V 3/14; G01V 3/15; G01V 3/16; G01V 3/165; G01V 3/17; G01V 3/175; G01V 3/18; G01V 3/20; G01V 3/22; G01V 3/24; G01V 3/26; G01V 3/265; G01V 3/28; G01V 3/30; G01V 3/32; G01V 3/34; G01V 3/36; G01V 3/38; G01V 3/40

See application file for complete search history.

(56) **References Cited**

**U.S. PATENT DOCUMENTS**

8,842,035 B2 \* 9/2014 Duvoisin, III ..... G01S 13/885  
342/22

9,021,661 B2 \* 5/2015 Andel ..... G01V 3/15  
16/429  
D756,247 S \* 5/2016 Pollock ..... G01V 3/104  
D10/47  
9,664,809 B2 \* 5/2017 Fry ..... G01V 3/104  
9,733,353 B1 \* 8/2017 Carlson ..... G01S 13/885  
9,864,089 B2 \* 1/2018 Andel ..... F41H 11/136  
D844,462 S \* 4/2019 Griffin ..... D10/47  
D844,463 S \* 4/2019 Zhang ..... D10/47  
D846,411 S \* 4/2019 Zhang ..... D10/47

\* cited by examiner

*Primary Examiner* — Antoine Duval Davis

(74) *Attorney, Agent, or Firm* — Jie Yang; ZanIP

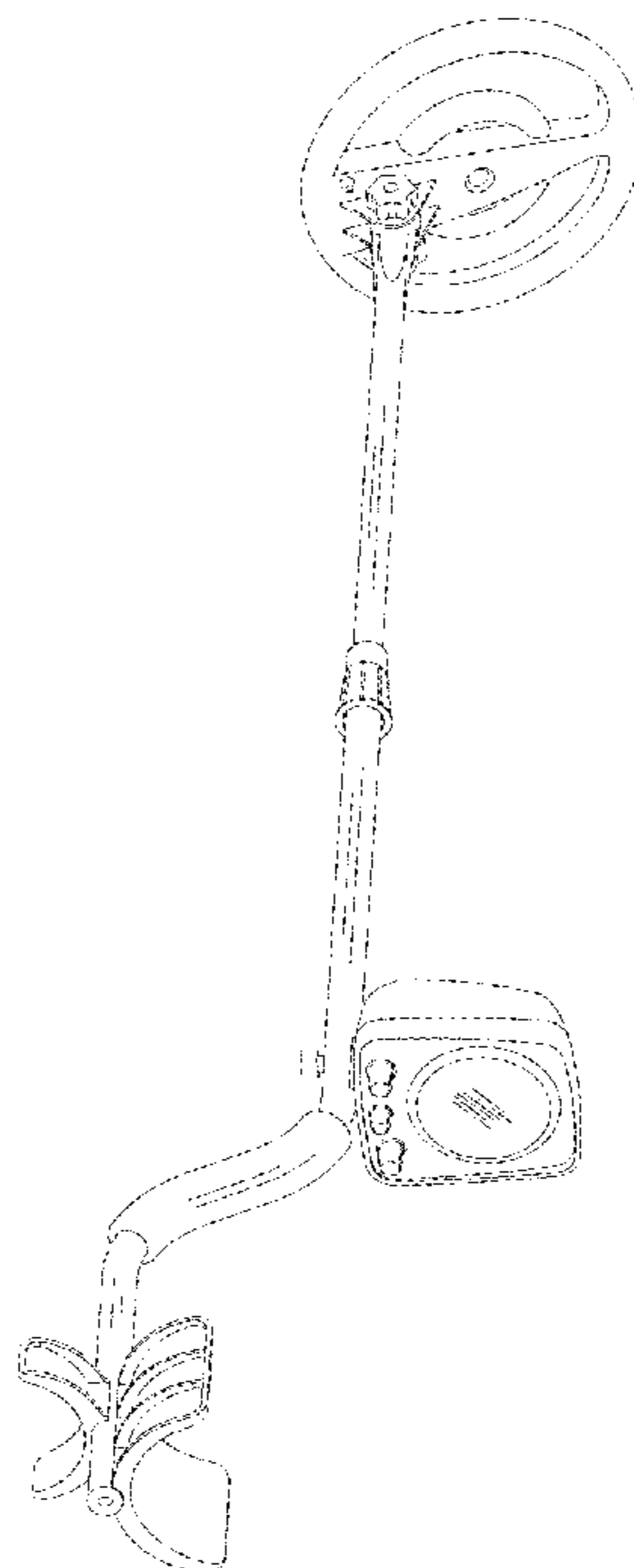
(57) **CLAIM**

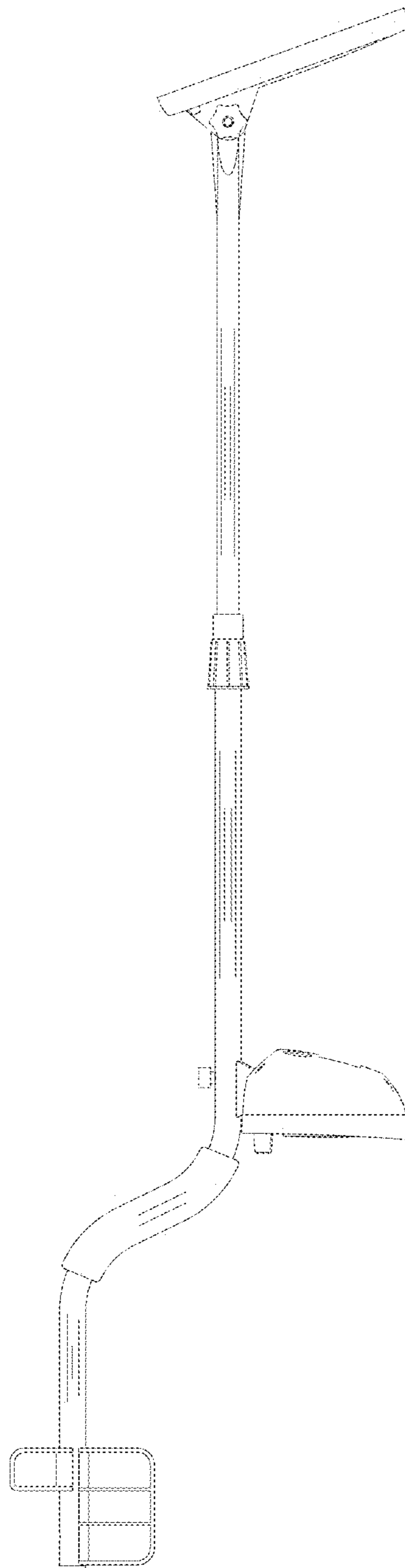
The ornamental design for a metal detector, as shown and described.

**DESCRIPTION**

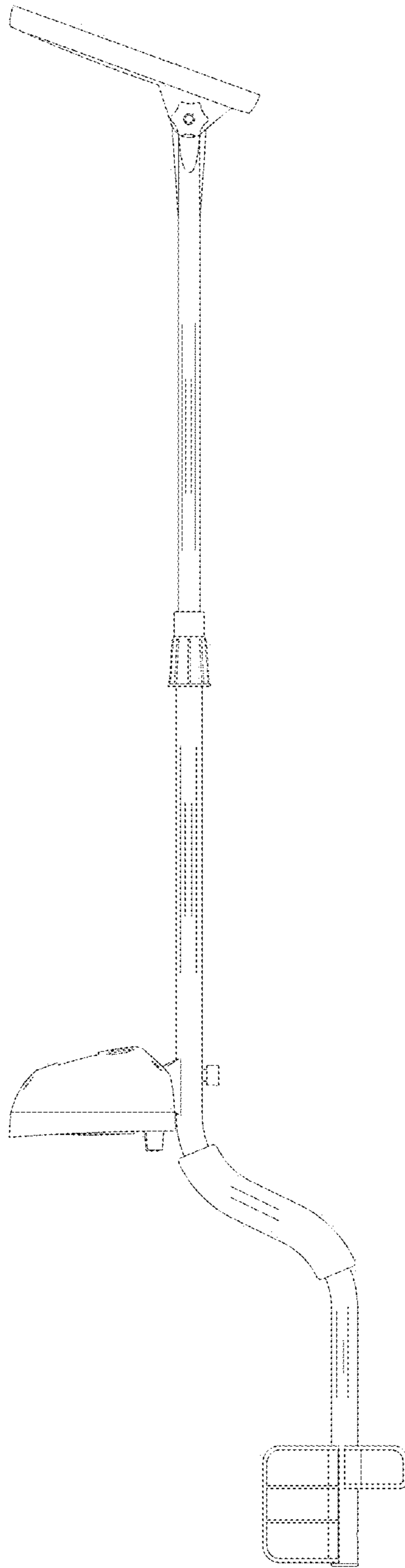
FIG. 1 is a front elevational view of the metal detector showing my new design;  
FIG. 2 is a rear elevational view thereof;  
FIG. 3 is a left side elevational view thereof;  
FIG. 4 is a right side elevational view thereof;  
FIG. 5 is a top plan view thereof;  
FIG. 6 is a bottom plan view thereof; and,  
FIG. 7 is a front, right side perspective view thereof.  
The broken lines illustrate portions of the metal detector that form no part of the claimed design.

**1 Claim, 7 Drawing Sheets**

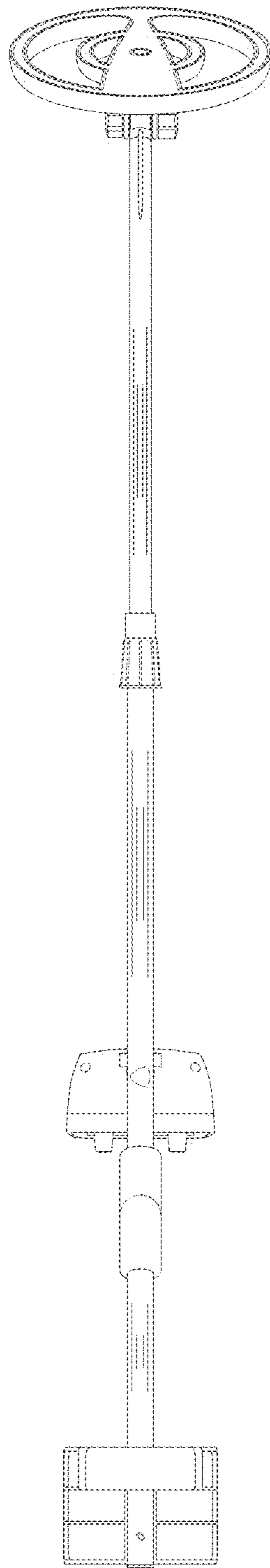




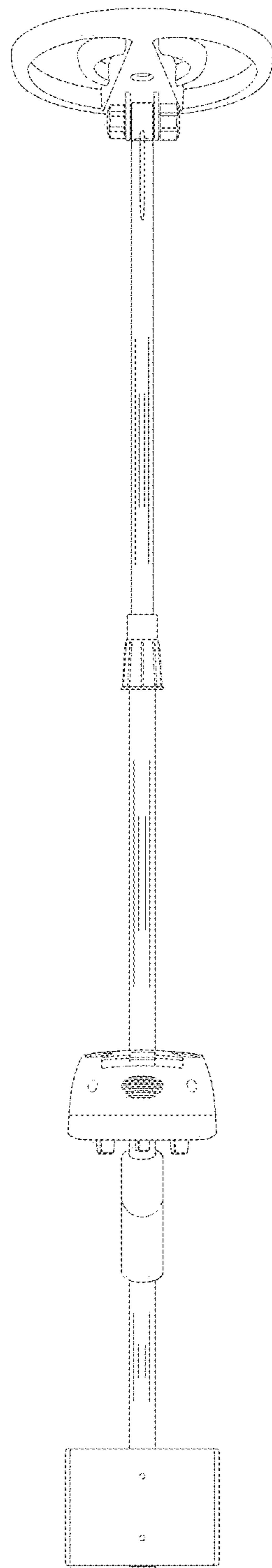
**FIG. 1**



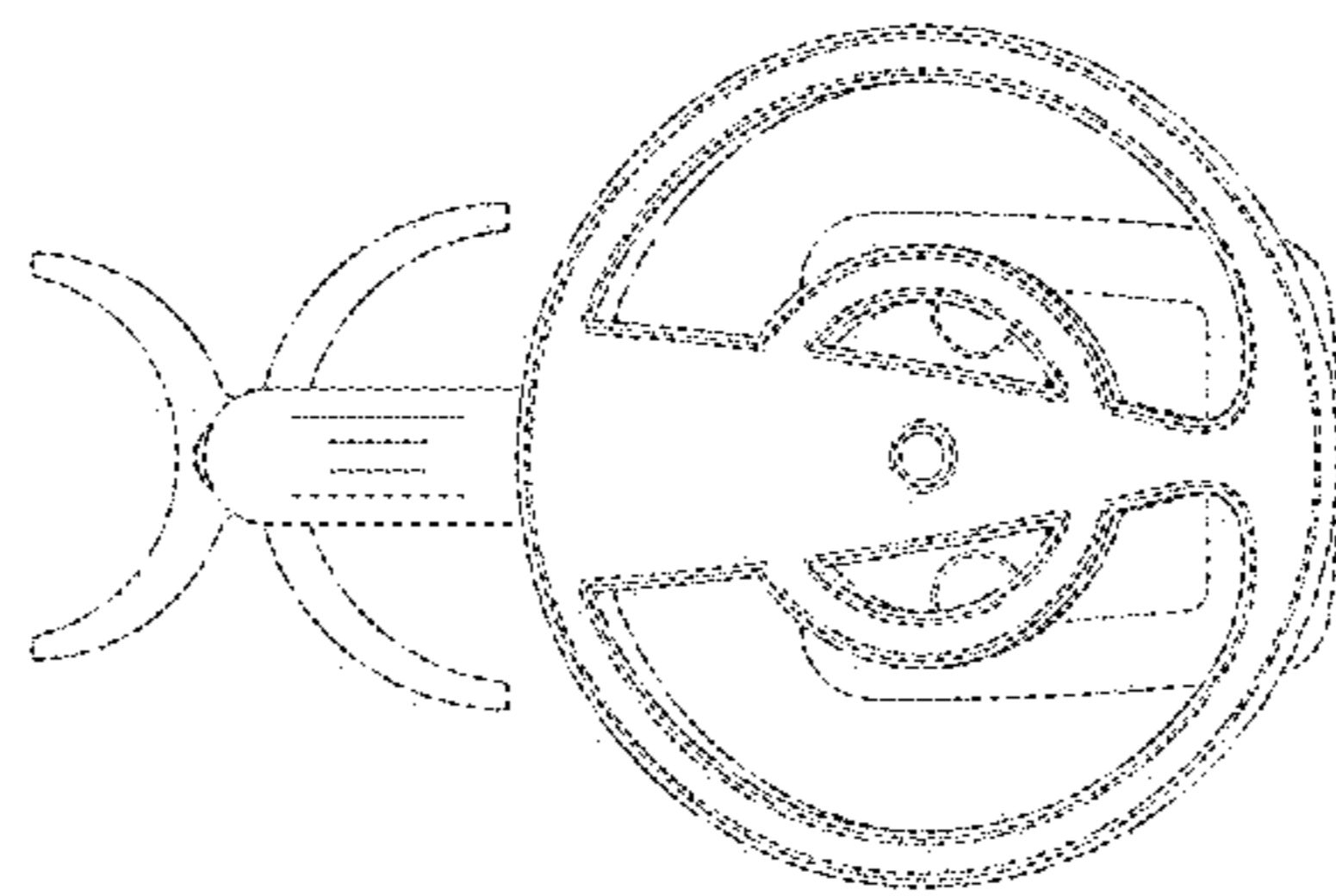
**FIG. 2**



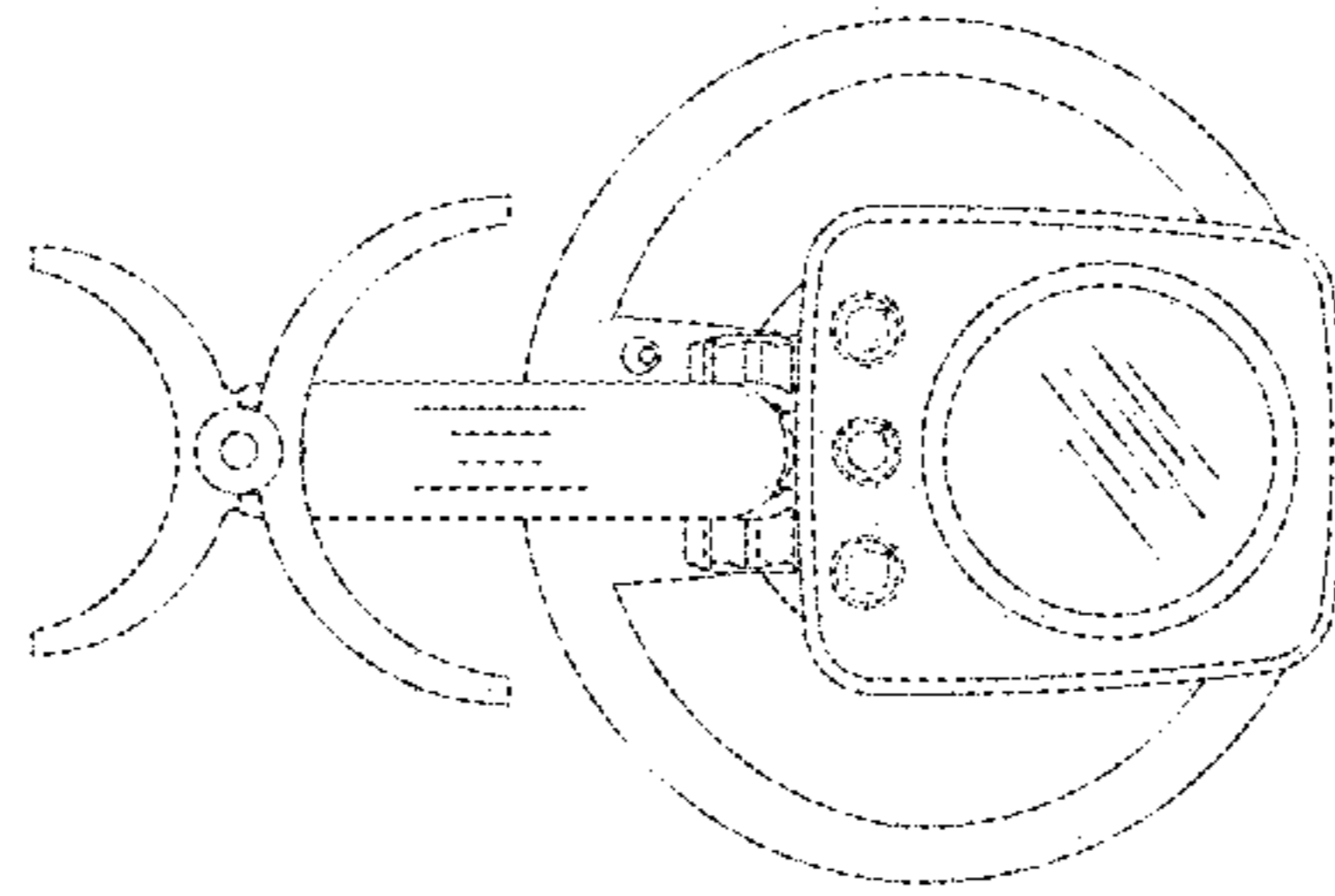
**FIG. 3**



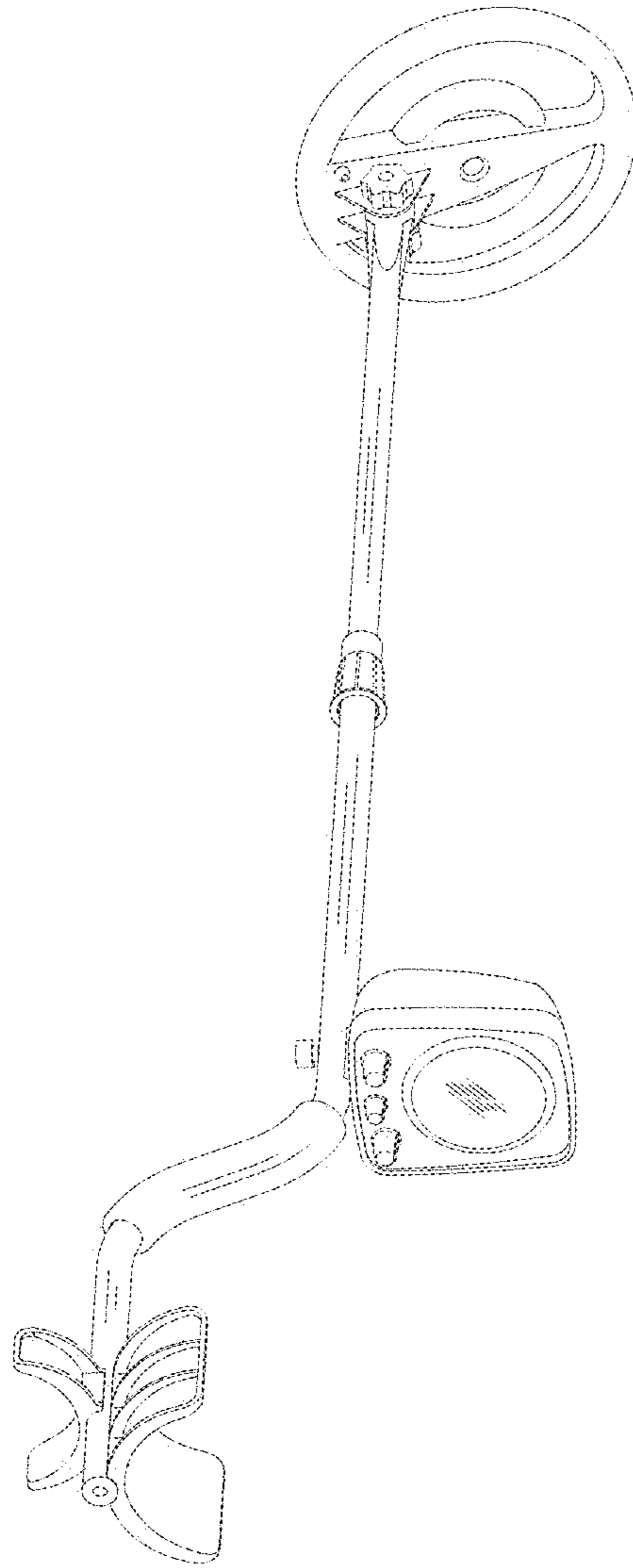
**FIG. 4**



**FIG. 5**



**FIG. 6**



**FIG. 7**