



US00D881033S

(12) **United States Design Patent**
Zhang

(10) **Patent No.:** **US D881,033 S**
(45) **Date of Patent:** **** Apr. 14, 2020**

- (54) **METAL DETECTOR**
 - (71) Applicant: **Shanghai 21st Century Electronic Equipment Co., Ltd., Shanghai (CN)**
 - (72) Inventor: **Yueling Zhang, Shanghai (CN)**
 - (**) Term: **15 Years**
 - (21) Appl. No.: **29/671,832**
 - (22) Filed: **Nov. 30, 2018**
 - (51) **LOC (12) Cl.** **10-04**
 - (52) **U.S. Cl.**
USPC **D10/47**
 - (58) **Field of Classification Search**
USPC D10/47
CPC ... G01V 3/00; G01V 3/02; G01V 3/04; G01V 3/06; G01V 3/08; G01V 3/081; G01V 3/082; G01V 3/083; G01V 2003/084; G01V 2003/085; G01V 2003/086; G01V 3/087; G01V 3/088; G01V 3/10; G01V 3/101; G01V 3/102; G01V 3/104; G01V 3/105; G01V 3/107; G01V 3/108; G01V 3/12; G01V 3/14; G01V 3/15; G01V 3/16; G01V 3/165; G01V 3/17; G01V 3/175; G01V 3/18; G01V 3/20; G01V 3/22; G01V 3/24; G01V 3/26; G01V 3/265; G01V 3/28; G01V 3/30; G01V 3/32; G01V 3/34; G01V 3/36; G01V 3/38; G01V 3/40
- See application file for complete search history.

- 9,021,661 B2 * 5/2015 Andel G01V 3/15
16/429
- D756,247 S * 5/2016 Pollock G01V 3/104
D10/47
- 9,664,809 B2 * 5/2017 Fry G01V 3/104
- 9,733,353 B1 * 8/2017 Carlson G01S 13/885
- 9,864,089 B2 * 1/2018 Andel F41H 11/136
- D844,462 S * 4/2019 Griffin D10/47
- D844,463 S * 4/2019 Zhang D10/47
- D846,411 S * 4/2019 Zhang D10/47

* cited by examiner

Primary Examiner — Antoine Duval Davis

(74) *Attorney, Agent, or Firm* — Jie Yang; ZANIP

(56) **References Cited**
U.S. PATENT DOCUMENTS

- 8,842,035 B2 * 9/2014 Duvoisin, III G01S 13/885
342/22

(57) **CLAIM**

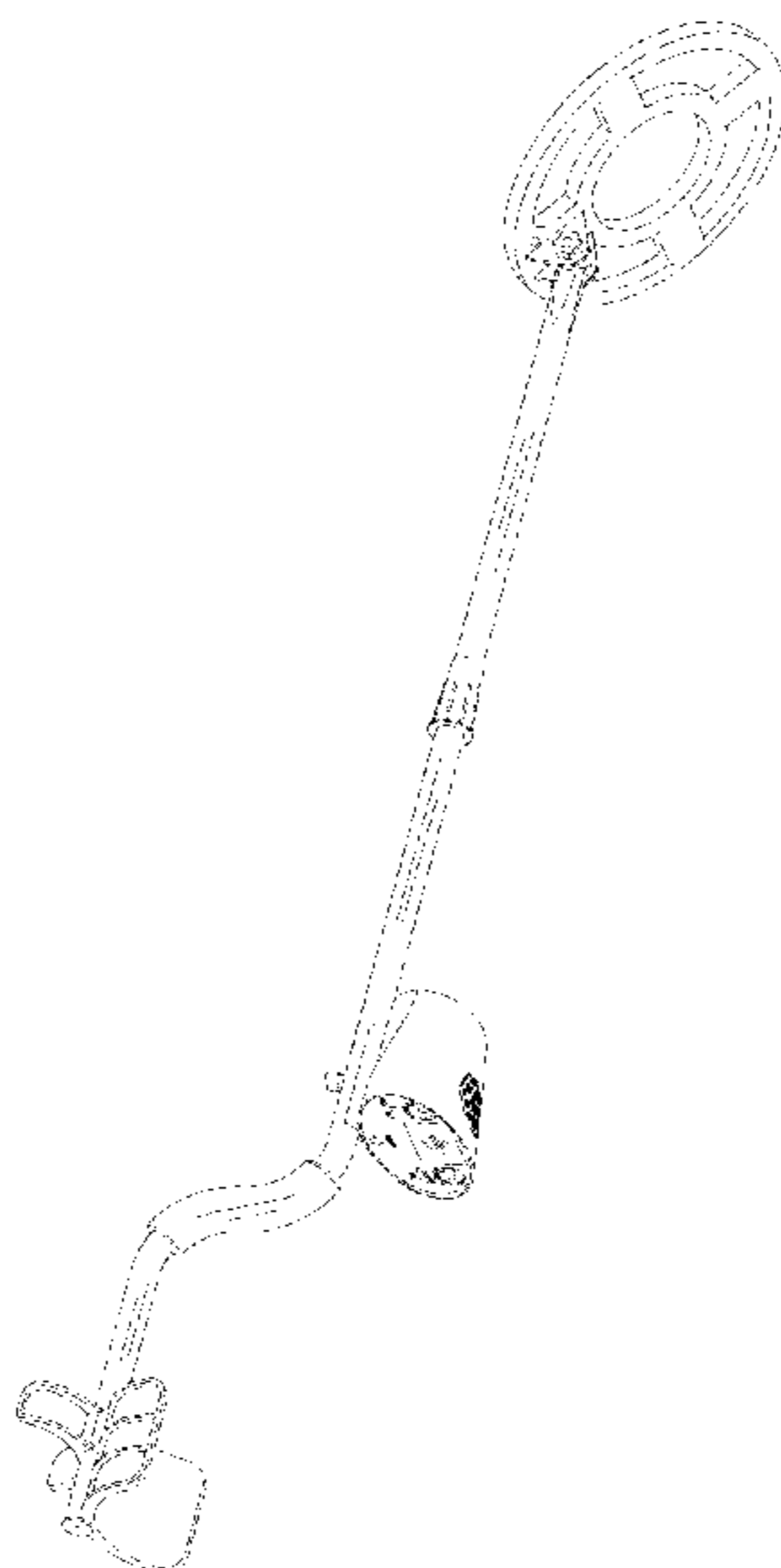
The ornamental design for a metal detector, as shown and described.

DESCRIPTION

FIG. 1 is a front elevational view of the metal detector showing my new design;
 FIG. 2 is a rear elevational view thereof;
 FIG. 3 is a left side elevational view thereof;
 FIG. 4 is a right side elevational view thereof;
 FIG. 5 is a top plan view thereof;
 FIG. 6 is a bottom plan view thereof; and,
 FIG. 7 is a front, right side perspective view thereof.

The broken lines illustrate portions of the metal detector that form no part of the claimed design.

1 Claim, 7 Drawing Sheets



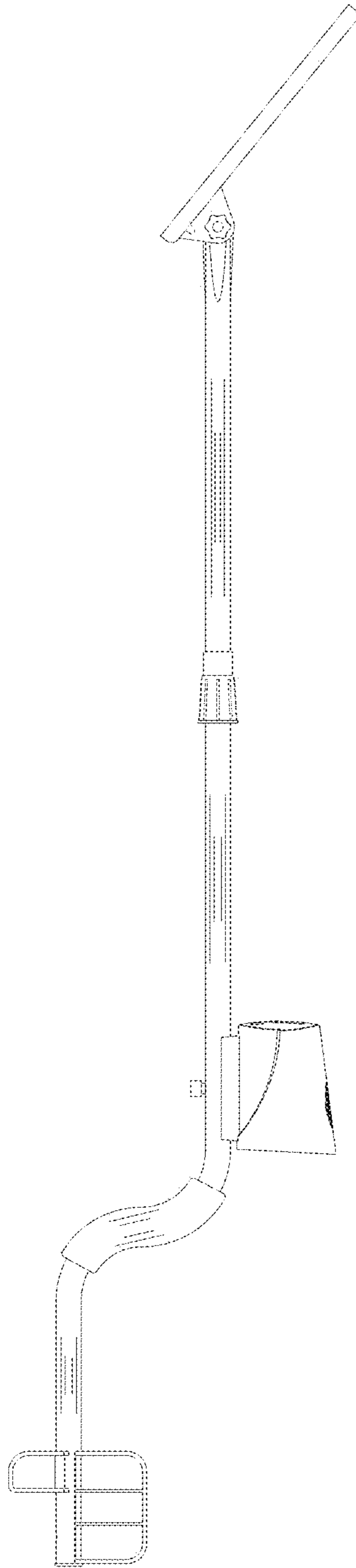


FIG. 1

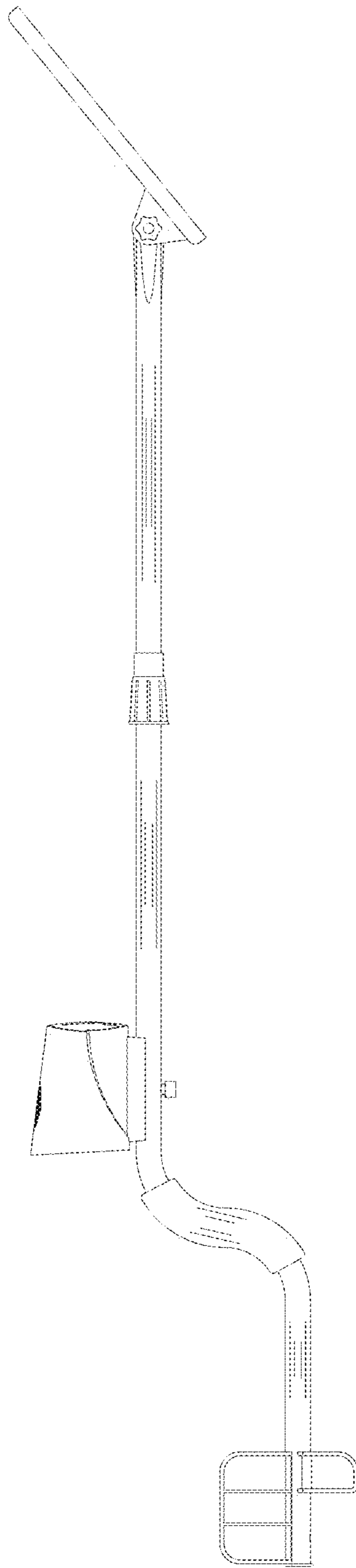


FIG. 2

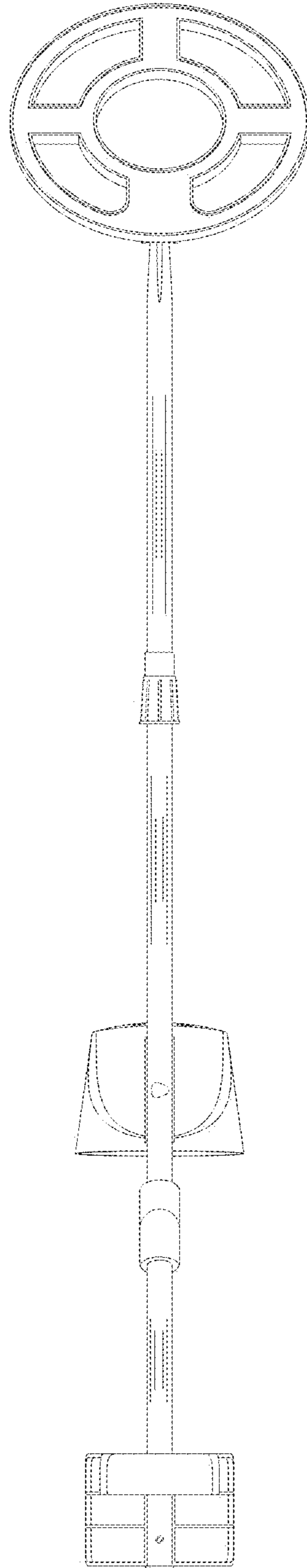


FIG. 3

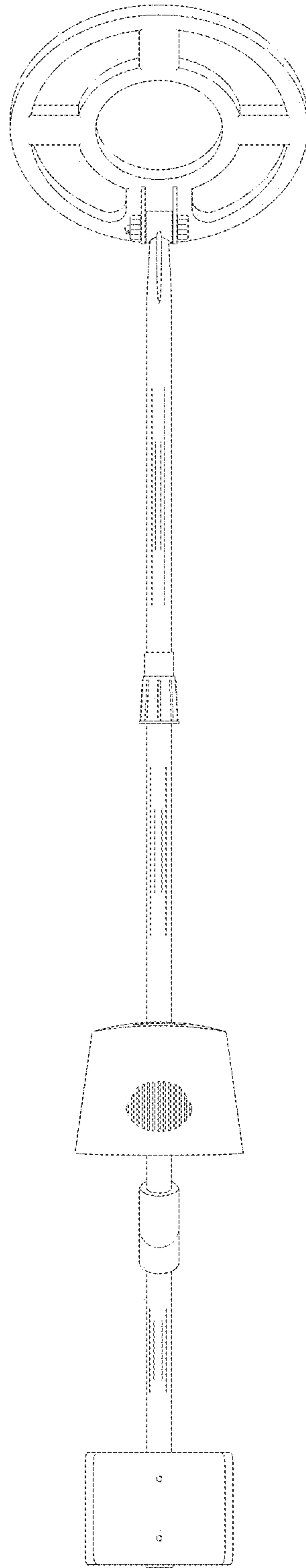


FIG. 4

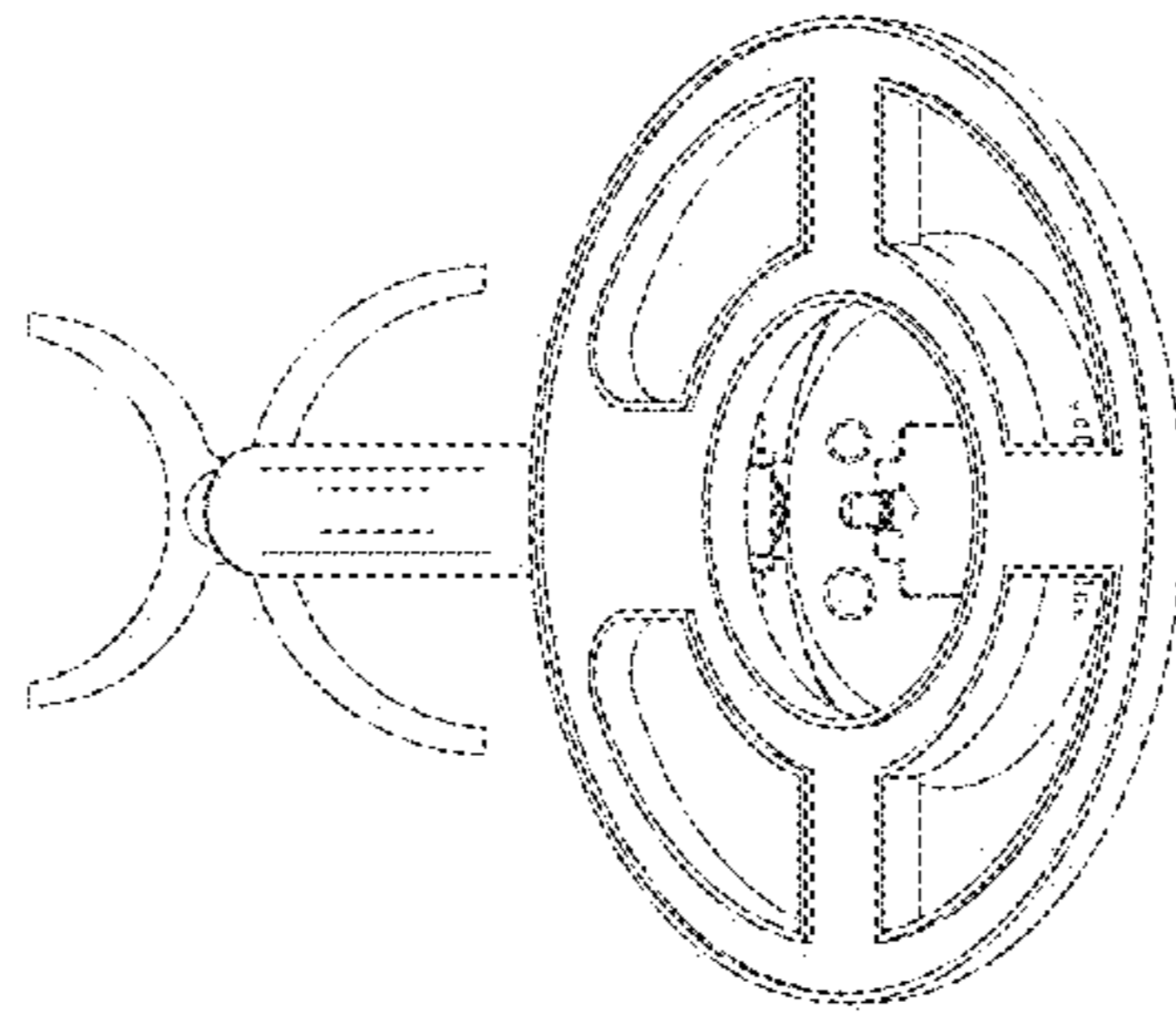


FIG. 5

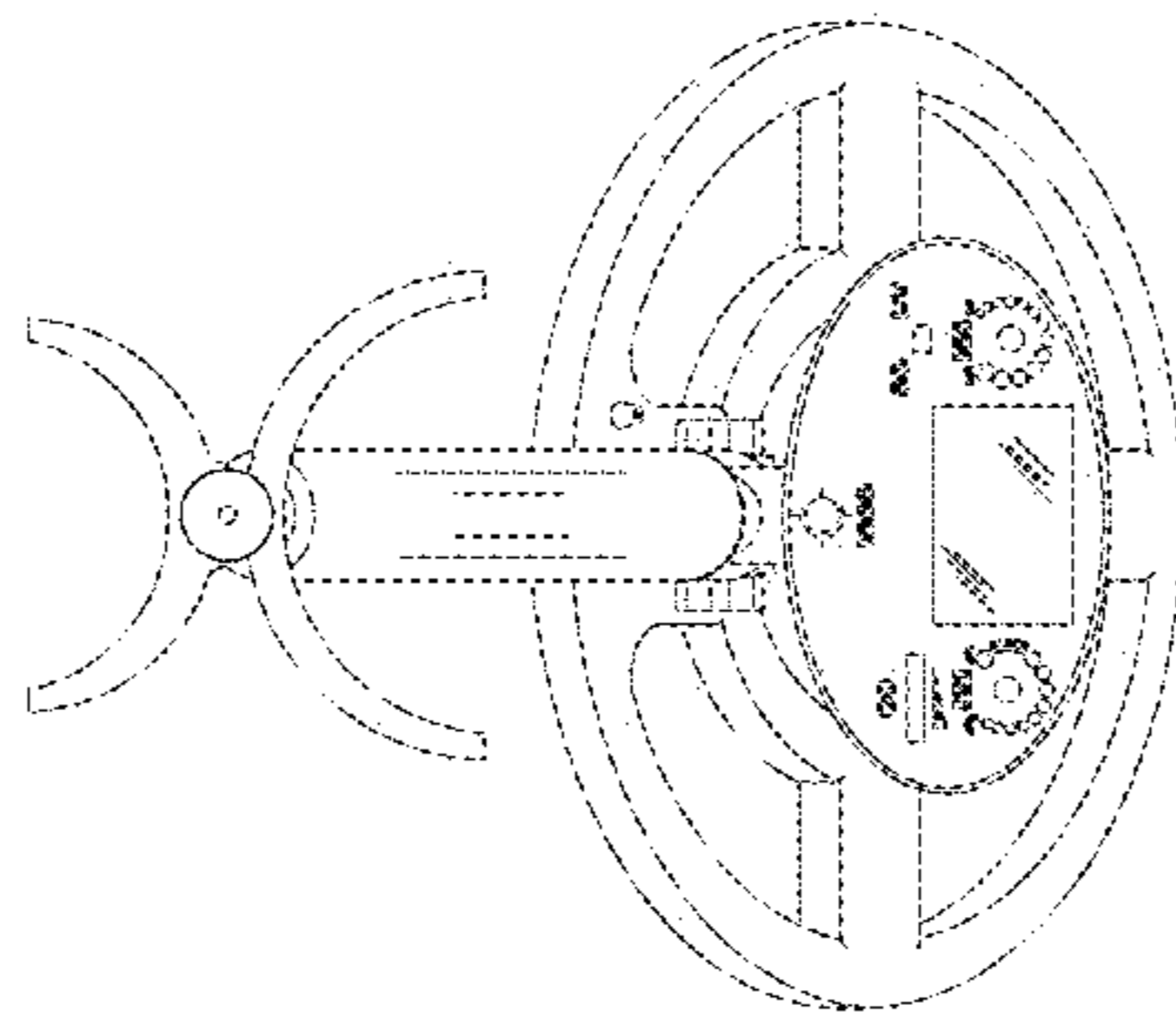


FIG. 6

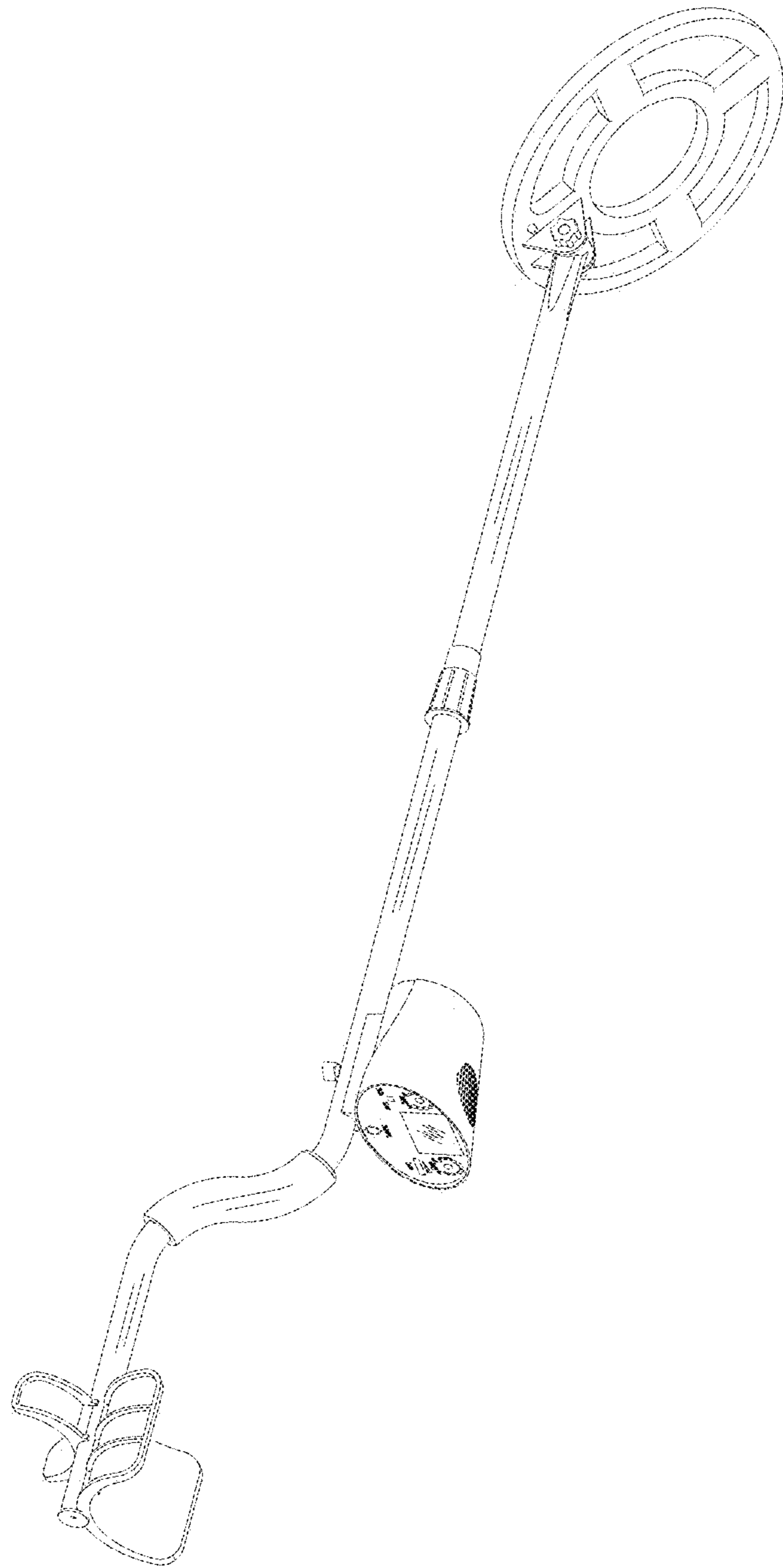


FIG. 7